

Residential Enclosures and Load Centres

Our Residential Enclosures and Load Centres have been developed with a strong aesthetic integrating unique features as a result of feedback from homeowners, electrical contractors and house builders. There is sure to be a Hager Enclosure to suit your specific application.



| | |
|--|----|
| Guide to the Residential Enclosure and Load Centre Range | 28 |
| VD IP30 Enclosures - Surface Mounted IP30 | 30 |
| GD Enclosures - Surface Mounted IP30/IP40 | 31 |
| VT Metal Enclosures | 32 |
| vector Enclosures - Surface Mounted IP65 | 33 |
| golf Enclosures - Surface Mounted | 34 |
| golf Enclosures - Flush Mounted | 35 |
| golf Home Networking Enclosures | 37 |
| TN Network Enclosure | 38 |
| vega D Enclosures | 40 |
| Technical Information | 42 |

Residential Enclosures and Load Centres



VD IP30 Range
Page 30



GD IP30/IP40 Range
Page 31



VT Range
Page 32



VE IP65 Range
Page 33

| | | | | |
|--------------------------------|---|---|--|--|
| No. of Modules | 1 - 10 | 2 - 6 | 9 - 48 | 3 - 48 |
| Mounting | Surface | Surface | Surface or Flush | Surface |
| Material | Plastic | Plastic | 1.2mm galvanised steel | UV stabilised plastic |
| Colour | RAL 9010 (pure white) | RAL 9010 (pure white) | RAL 9002 (grey white) | RAL 7035 (light grey) |
| IP | IP30 | IP30, IP40 with door | IP30w | IP65 |
| Links | Brass links in 8 mod only | Not supplied with enclosure | Brass links | Brass links |
| Doors | Supplied with enclosure 6 - 8 mod only Opaque or transparent | Not supplied with enclosure | Not supplied with enclosure | Supplied with enclosure Transparent |
| Spare doors | Not available | Opaque - GP1xxP Transparent - GP1xxT | Opaque only - VT04x VT92263 - VT03x | Transparent |
| Optional key lock part | VZ313 | VZ313 | JK1XKLS | VZ311 |
| Additional pole fillers | JP011 - White | JP011 - White | JP010 - Grey | JP010 - Grey |

DIN rail enclosures

golf Enclosure Accessories

Pg 36, 37, 39



Earthed metal back plates



Accessories



Enclosure Sliders

References

VFxxBP

Key lock - VZ794N
Cable guides - VZ699N
Labelling stickers - VZ788N

VZ849N
VZ850N
VZ852N

vega D Enclosure Accessories

Pg 41



Key Locks



Schedule Holder



Universal Hybrid Link Terminal Mounting Support

References

FD00S0
FD00S1

FZ794

KN00A



Gear Tray Module

FD02C2



Cable Management

UZ25V1
UZ25V2
UZ01V1



DIN Rail

UZ02B9



RAL 9010 pole fillers

JP002



golf Range
Page 34

4 - 72

Surface or Flush

Plastic

RAL 9010 (pure white)

IP40

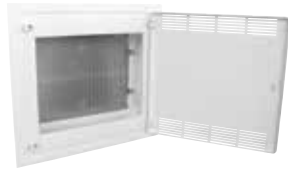
Brass links
Q-Links

Supplied with enclosure
Opaque or transparent

Opaque - VZ60/1xN
Transparent - VZ62/3xN

VZ794N

JP011 - White



golf Home Networking Range
Page 37

12

Surface or Flush

Plastic

RAL 9010 (pure white)

IP40

Not supplied with enclosure

Supplied with enclosure
Opaque only

Opaque - VZ85xN

VZ794N

Not applicable



TN Network Enclosure
Page 38

18

Surface

Plastic

RAL 9010 (pure white)

IP30

Not supplied with enclosure

Supplied with enclosure
Opaque only

Not available

VZ794N

Not applicable



vega D Range
Page 40

96 - 168

Surface or Flush

Sheet metal and injected plastic
combination

RAL 9010 (pure white)

IP40 with door (flush)
IP41 with door (surface)

Brass links

Not supplied with enclosure

Opaque - FDxxPN
Transparent - FDxxTN

FD00S0

JP002 or JP010



Connectors

TN002S
TN003S
TN010S



Telephone Splitters

TN131
TN111



Patch Cables

TN735B
TN740B



Plates

VZ851N
VZ853N



Enclosure Width Hybrid Q Link Terminal Mounting Support

FD00Q1



Neutral Hybrid Screw & Q Link Terminals

Neutral - KNxxN



Earth Hybrid Screw & Q Link Terminals

Earth - KNxxE



Phase Hybrid Screw & Q Link Terminals

Phase - KNxxP



Passive Vent Kit

FD00P5



Internal Partitions

FD00A3
FD00A4



External Wall Brackets

FD00F2



Mounting Anchors

VZ405N

Description

Our VD series offers 1 row plastic covers for 1 to 18 modules.

They are suitable as pole covers and small load centres for devices up to 70mm installation depth with multiple mounting, cable entry positions and stylish design.

Specifications

- IP30, IK07
- Isolation Class II / Double insulated
- Larger size enclosures equipped with plain or transparent door
- Colour: RAL 9010
- Cover fixed by screws
- Suitable for MPD up to 80A - depending on power dissipation loss

Standards

- Compliant to AS/NZS 5112 and AS/NZS 61439-3

Dimension data: [Page 96](#)

DIN rail enclosures



VD102NT



VD104NT

VD Surface Mounted Pole Cover Enclosures without door

Facility to be tampered sealed with wire.

| Description | Number of module(s) | Dimensions (mm) | Cat ref. |
|--------------------|---------------------|----------------------|----------------|
| 1 row | 1 mod | 27.5w x 163.5h x 71d | VD101NT |
| - plastic DIN rail | 2 mod | 45.5w x 163.5h x 71d | VD102NT |
| | 3 mod | 63.5w x 163.5h x 71d | VD103NT |
| | 4 mod | 81.5w x 163.5h x 71d | VD104NT |



VD106TT



VD118TT

VD Surface Mounted Enclosures with opaque or transparent door

| Description | Number of Module(s) | 80A brass terminal | 80A brass terminal | | Dimensions (mm) | Cat ref. Transparent door | Cat ref. Opaque door |
|-------------|---------------------|--------------------|--------------------|-------------------|----------------------|---------------------------|----------------------|
| | | | 16mm ² | 35mm ² | | | |
| 1 row | 6 mod | - | - | - | 134.5 w x 170h x 91d | VD106TT | VD106PT |
| | 8 mod | Neutral | 8 | 1 | 170.5w x 170h x 91d | VD108TT | VD108PT |
| | 10 mod | Earth | 6 | 1 | 206.5 w x 170h x 91d | VD110TT | VD110PT |
| | | Neutral | 10 | 2 | | | |
| | 12 mod | Earth | 7 | 2 | 292.5w x 200h x 91d | VD112TT | VD112PT |
| | | Neutral | 13 | 4 | | | |
| | 18 mod | Earth | 7 | 2 | 400w x 200h x 91d | VD118TT | VD118PT |
| | | Neutral | 20 | 4 | | | |
| | | Earth | 10 | 2 | | | |



JP011

VD Enclosure Accessories

| Description | Cat ref. |
|--|-----------------|
| 6 mod door | VZ910N1 |
| 8 mod door | VZ912N |
| 10 mod door | VZ916N |
| 12 mod door | VZ918N |
| 18 mod door | VZ920N |
| Door locking kit with 2 keys - 61005 | VZ313 |
| Spare key - 61005 | VZ312 |
| Pole filler set - White - 5pk 0.5 mod | JP011 |
| 2x brass terminals set - 3 x 35mm ² + 7x16mm Brass terminals suitable for VD enclosures with door | 2AR904AU |

Description

Our GD series offers 1 row insulated enclosures for 2, 4 and 6 modules.

They offer generous wiring space on top, bottom and the sides with an extensive choice of mounting positions. Constructed of durable 100% recyclable and insulated plastic. Available empty or loaded.

Specifications

- Facility for cover to be sealed
- Cover fixed by quarter turn screws
- IP30 without door installation
- IP40 with a door installed
- IK05
- Suitable for MPD up to 63A - depending on power dissipation loss
- Marking strip clips on escutcheon
- Isolation Class II / Double insulated

Options:

- Opaque or transparent doors
- Key lock
- Pole fillers - JP011

Standards

- Compliant to AS/NZS 61439-3

Dimension data: [Page 97](#)

GD Surface Mounted Pole Cover Enclosures without door

| Description | Number of module(s) | Dimensions (mm) | Cat ref. |
|-------------|---------------------|-------------------|---------------|
| 1 row | 2 mod | 55w x 160h x 94d | GD102T |
| | 4 mod | 110w x 180h x 94d | GD104T |
| | 6 mod | 148w x 180h x 94d | GD106T |



GD104T

Doors for GD Surface Mounted Pole Cover Enclosures

| To suit | Cat ref. Transparent door | Cat ref. Opaque door |
|---------|------------------------------|-------------------------|
| GD102T | GP102T | GP102P |
| GD104T | GP104T | GP104P |
| GD106T | GP106T | GP106P |



GP106P

GD Enclosure suitable for Meter Panels

| Description | Number of rows and module(s) | Dimensions (mm) | Cat ref. |
|--|-------------------------------------|-------------------|--------------|
| Plastic sub-board to mount to black meter panel. - DIN rail and no back plate | 1 row, 10 mod (Expandable to 12) | 250w x 140h x 65d | GD10T |



GD10T

Pre-loaded GD Enclosures

| Description | Number of rows and module(s) | Characteristics | Cat ref. |
|--------------------|------------------------------|--|----------------|
| GD Meter isolators | | Supplied with: 1 x GD102T 1 x NDN163 | GD163AQ |
| | | 1 x GD104T 1 x NDN363 | GD363AQ |

GD Enclosure Accessories

| Description | Cat ref. |
|--|-----------------|
| Locking kit with 2 keys - 61005 - Also suits GD1xxT above | VZ313 |
| Spare key - 61005 - fits VZ313 | VZ312 |
| Pole filler set - RAL 9010 - 0.5 module wide | JP011 |
| 2x brass terminals set - 3 x 35mm ² + 7x16mm ² | 2AR904AU |



VZ313



2AR904AU

Description

Our VT series are surface or flush mounted enclosures with 1 to 4 rows, allowing for 9 to 12 modules in total.

They are designed for applications that require a robust construction.

Specification

- 150mm between DIN rails
- 1.2mm tough powdercoated galvanised steel construction
- Powdercoated RAL 9002 (light grey)
- IP30
- Suitable for MPD up to 100A, depending on power dissipation loss

Standards

- Complies with AS/NZS 61439-3, AS/NZS 3012 and AS/NZS 5112

Dimension data: [Page 44](#)

Supplied with

- Neutral and Earth links
- circuit ID labels
- 10 x grey pole fillers



VT12S



VT18S



VT09TP

VT Surface and Flush Mounted Enclosures

| Number of rows and module(s) | 100A brass terminal | 16mm ² 35mm ² | | Dimensions (mm) | Cat ref. Surface | Cat ref. Flush |
|---|---------------------|-------------------------------------|-------|-------------------|------------------|----------------|
| | | Neutral | Earth | | | |
| 1 row, 9 mod | Neutral | 9 | 3 | 260w x 260h x 70d | VT09S | |
| | Earth | 5 | 3 | 305w x 295h x 10d | | |
| 1 row, 12 mod | Neutral | 12 | 3 | 310w x 260h x 70d | VT12S | |
| | Earth | 6 | 3 | 355w x 305h x 10d | | |
| 1 row, 18 mod | Neutral | 18 | 3 | 417w x 260h x 70d | VT18S | |
| | Earth | 9 | 3 | 462w x 305h x 10d | | |
| 2 rows of 12 24 mod total | Neutral | 24 | 3 | 370w x 420h x 70d | VT24S | |
| | Earth | 12 | 3 | 415w x 460h x 10d | | |
| 3 rows of 12 36 mod total | Neutral | 36 | 3 | 370w x 610h x 70d | VT36S | |
| | Earth | 18 | 3 | 415w x 655h x 10d | | |
| 4 rows of 12 48 mod total | Neutral | 48 | 3 | 465w x 750h x 70d | VT48S | |
| | Earth | 24 | 3 | 510w x 795h x 10d | | |
| 1 row of 9 mod with 7.5 mod lock cover | Neutral | 9 | 3 | 259w x 250h x 71d | VT09TP | |
| 1 row of 12 mod with 10.5 mod lock cover | Earth | 5 | 3 | 309w x 259h x 71d | | |



VT041

VT Enclosure Accessories

| Description | Characteristics | Cat ref. |
|--|----------------------|----------------|
| Top hinged doors with easy knockout for additional lock | To suit VT09S, VT09F | VT041 |
| | To suit VT12S, VT12F | VT042 |
| | To suit VT18S, VT18F | VT043 |
| Side hinged doors with easy knockout for additional lock | To suit VT24S, VT24F | VT044 |
| | To suit VT36S, VT36F | VT045 |
| | To suit VT48S, VT48F | VT046 |
| Top hinged doors with easy knockout for CL001 lock | To suit VT09S, VT09F | VT031 |
| | To suit VT12S, VT12F | VT032 |
| | To suit VT18S, VT18F | VT033 |
| Side hinged doors with easy knockout for CL001 lock | To suit VT24S, VT24F | VT034 |
| | To suit VT36S, VT36F | VT035 |
| | To suit VT48S, VT48F | VT036 |
| Optional extra - key lock suits all VT series doors - with 2 keys - 2333 | | JK1XKLS |
| Pole filler set - Grey - 5pk 5.5 mod | | JP010 |
| Pole filler set - White - 5pk 0.5 mod | | JP011 |
| 92268 lock for VT03x doors | | VT92268 |

Description

Our vector series are IP65 surface mounted enclosures with 1 to 4 rows, allowing for 3 to 48 modules in total.

They come with adjustable DIN rail depth for shoulder measurement 47mm and 63mm. Supplied with a reversible, transparent, hinged door.

Specification

- UV resistant
- RAL 7035 (light grey)
- IP65
- IK07 < 12mod, IK08 ≥ 12 mod
- Isolation class II / Double Insulated
- 125mm between DIN rails in 12mod
- 150mm between DIN rails in 18 mod
- VE103H and VE106H suitable for MPDs up to 63A. Other models suitable for 80A.

Supplied with

- Links, 12 modules (KDN180A) or 18 modules (KDN180G) 80A busbar (except for VE103H) and circuit ID labels
- Premarked knock outs for bushes or cable glands M20, M25, M32, M40 and M50
- Two lateral knockouts for cable entry
- Sealable cover and optional locking facilities

Standards

- Complies with AS/NZS 61439-3
- Neutral and Earth links comply with AS/NZS 5112

Dimension data: [Page 99](#)

vector VE Enclosures with transparent door

| Number of rows and module(s) | 80A brass terminal | 80A brass terminal | | Busbar | Dimensions (mm) | Cat ref. |
|------------------------------------|--------------------|--------------------|-------------------|--------|--------------------|---------------|
| | | 16mm ² | 35mm ² | | | |
| 1 row, 2 mod + 1 moulded blank | | - | - | 0 | 111w x 175h x 93d | VE103H |
| 1 row, 4 mod + 2 moulded blanks | Neutral | 6 | 1 | 1 | 165w x 190h x 113d | VE106H |
| | Earth | 4 | 1 | | | |
| 1 row, 8 mod + 2 moulded blanks | Neutral | 11 | 3 | 1 | 237w x 210h x 114d | VE110H |
| | Earth | 7 | 2 | | | |
| 1 row, 12 mod | Neutral | 12 | 6 | 1 | 310w x 302h x 151d | VE112H |
| | Earth | 6 | 2 | | | |
| 1 row, 18 mod | Neutral | 18 | 6 | 1 | 418w x 302h x 151d | VE118H |
| | Earth | 10 | 2 | | | |
| 2 rows of 12, 24 mod total | Neutral | 24 | 8 | 2 | 310w x 427h x 151d | VE212H |
| | Earth | 21 | 1 | | | |
| 2 rows of 18, 36 mod total | Neutral | 36 | 8 | 2 | 418w x 452h x 151d | VE218H |
| | Earth | 30 | 2 | | | |
| 3 rows of 12, 36 mod total | Neutral | 37 | 7 | 3 | 310w x 552h x 151d | VE312H |
| | Earth | 31 | 1 | | | |
| 3 rows of 18, 54 mod total | Neutral | 48 | 8 | 3 | 418w x 602h x 151d | VE318H |
| | Earth | 30 | 2 | | | |
| 4 rows of 12, 48 mod total | Neutral | 42 | 5 | 4 | 310w x 677h x 151d | VE412H |
| | Earth | 30 | 2 | | | |



VE112H



VE212H



VE312H

vector VE Enclosure Accessories

| Description | Cat ref. |
|--|-----------------|
| Stainless steel wall fixing bracket kit - allows for fixing the enclosure without drilling holes through it | VZ011 |
| Key lock - supplied with 2 keys - 61005 | VZ311 |
| Pole filler set - Grey - 5pk 5.5 mod | JP010 |
| 2x brass terminals set - 7 x 16mm ² + 3 x 35mm ² | 2AR904AU |
| Connector - 35mm ² cable adaptor for main neutral link | KM035 |



VZ011



VZ311

Description

The golf VS are surface mounted enclosures with 1 to 2 rows, allowing for 4 to 36 modules in total and supplied with an opaque or transparent door.

Suitable for all Hager Modular Circuit Protection and for devices up to 70mm installation depth. Door can be fitted on right or left, optional lock and keys. Door opens up to 180°. 125mm between DIN rails.

Supplied with

- Earth & Neutral terminals
- Pole fillers
- Adhesive Circuit identification labels
- Cable management clips
- Supplied with protection film
- 12 modules (KDN180A) or 18 modules (KDN180G) busbar supplied with most references.

Technical data

- IP30 without door
- IP40 with door
- IK07
- Isolation Class II / Double insulated
- Colour RAL 9010: white
- Brass terminals In ≤ 80A
- Rated insulation voltage: 400V AC/50Hz

Standards

- All golf products comply to AS/NZS 61439-3.
- N&E brass terminals comply to AS/NZS 5112.

Technical information: [Page 46](#)

DIN rail enclosures



VS118PN



VS218PN

VS Surface Mount golf Enclosure with brass terminals Designed for RCD and MCB or upgrade to RCBO 4 - 36 Modules

| Number of rows and module(s) | Single phase busbar supplied: | 80A brass terminal | 16mm ² 35mm ² | | Dimensions (mm) | Cat ref. White Door |
|------------------------------|-------------------------------|--------------------|-------------------------------------|-------------------|-------------------|------------------------|
| | | | 16mm ² | 35mm ² | | |
| 1 row, 4 mod | None | Neutral | 4 | 1 | 138w x 184h x 99d | ★ VS104PN |
| | | Earth | 3 | 1 | | |
| 1 row, 8 mod | None | Neutral | 8 | 1 | 210w x 184h x 99d | ★ VS108PN |
| | | Earth | 4 | 1 | | |
| 1 row, 12 mod | 1 x 12 pole | Neutral | 12 | 6 | 282w x 252h x 99d | ★ VS112PN |
| | | Earth | 6 | 2 | | |
| 1 row, 18 mod | 1 x 18 pole | Neutral | 18 | 6 | 390w x 252h x 99d | ★ VS118PN |
| | | Earth | 10 | 2 | | |
| 2 rows of 12, 24 mod total | 2 x 12 pole | Neutral | 24 | 8 | 282w x 377h x 99d | ★ VS212PN |
| | | Earth | 21 | 1 | | |
| 2 rows of 18, 36 mod total | 2 x 18 pole | Neutral | 35 | 8 | 390w x 377h x 99d | ★ VS218PN |
| | | Earth | 30 | 2 | | |

Description

The golf VF are flush mounted enclosures with 1 to 4 rows, allowing for 4 to 72 modules in total and supplied with an opaque or transparent door.

Suitable for all Hager Modular Circuit Protection and for devices up to 70mm installation depth. Door can be fitted on right or left, optional lock and keys. Door opens up to 180°. 125mm between DIN rails.

Supplied with

- Earth & neutral terminals
- Pole fillers
- Patented marking system and cable management clips in enclosures > 36 modules
- Supplied with protection film
- 12 modules (KDN180A) or 18 modules (KDN180G) busbar supplied with most references.

Technical data

- IP30 without door
- IP40 with door
- IK07
- Isolation Class II / Double insulated
- Colour RAL 9010: white
- Brass terminals In ≤ 80A
- Rated insulation voltage: 400V AC/50Hz

Standards

- All golf products conform to AS/NZS 61439-3.
- N&E brass terminals comply to AS/NZS 5112.

Technical information: [Page 47](#)

VF Flush Mount golf Enclosure with 80A brass terminals

Designed for RCD and MCB or upgrade to RCBO

4 - 72 Modules

| Number of rows and module(s) | Single phase busbar supplied: | 80A brass terminal | | Dimensions (mm) | Cat ref. White Door |
|------------------------------|-------------------------------|--------------------|-------------------|-------------------|------------------------|
| | | 16mm ² | 35mm ² | | |
| 1 row, 4 mod | None | Neutral | 4 | 204w x 225h x 72d | ★ VF104PN |
| | | Earth | 3 | | |
| 1 row, 8 mod | None | Neutral | 8 | 275w x 225h x 72d | ★ VF108PN |
| | | Earth | 4 | | |
| 1 row, 12 mod | 1 x 12 pole | Neutral | 12 | 352w x 293h x 72d | ★ VF112PN |
| | | Earth | 6 | | |
| 1 row, 18 mod | 1 x 18 pole | Neutral | 18 | 460w x 293h x 72d | ★ VF118PN |
| | | Earth | 10 | | |
| 2 rows of 12, 24 mod total | 2 x 12 pole | Neutral | 24 | 352w x 418h x 72d | ★ VF212PN |
| | | Earth | 21 | | |
| 2 rows of 18 36 mod total | 2 x 18 pole | Neutral | 35 | 460w x 418h x 72d | ★ VF218PN |
| | | Earth | 30 | | |
| 3 rows of 12 36 mod total | 3 x 12 pole | Neutral | 37 | 352w x 543h x 72d | ★ VF312PN |
| | | Earth | 31 | | |
| 3 rows of 18 54 mod total | 3 x 18 pole | Neutral | 56 | 460w x 543h x 72d | ★ VF318PN |
| | | Earth | 30 | | |
| 4 rows of 18 72 mod total | 4 x 18 pole | Neutral | 63 | 460w x 688h x 72d | ★ VF418PN |
| | | Earth | 44 | | |



VF112PN



VF218PN

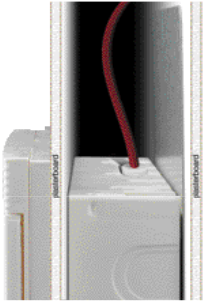
DIN rail enclosures

Description

golf Enclosure Accessories includes an extensive range, from cable retainers to hollow wall anchors, keys, locks and doors. Every feature is conceived to save time and simplify installation.

Earthed metal back plate
dimensions: [Page 47](#)

DIN rail enclosures



Earthed Metal Back Plate for golf VF

Provides mechanical protection of cables

| To suit | Pack | Cat ref. |
|---------|------|----------------|
| VF112 | 1 | VF112BP |
| VF118 | 1 | VF118BP |
| VF212 | 1 | VF212BP |
| VF218 | 1 | VF218BP |
| VF312 | 1 | VF312BP |
| VF318 | 1 | VF318BP |
| VF412 | 1 | VF412BP |
| VF418 | 1 | VF418BP |



VZ794N



VZ699N



2AR904AU

golf VF/VS Accessories

| Description | Pack | Cat ref. |
|--|------|-----------------|
| Pole filler set - Grey - 5pk 5.5 mod | | JP010 |
| Pole filler set - White - 5pk 0.5 mod | | JP011 |
| Key lock supplied with 2 keys - 61005 | 1 | VZ794N |
| Cable guides VF/VS | 1 | VZ699N |
| White adhesive labeling strip - 10 pieces 31mm high, 369mm long | 1 | VZ788N |
| Hollow wall anchors (prawn clips) - suit VF adhesive enclosures (Set of 4) For plaster walls from 7 to 30mm thickness | 1 | VZ696N |
| 2x brass terminals set 7 x 16mm ² + 3 x 35mm ² | 1 | 2AR904AU |
| Kit with 4 plastic screws for golf cover surface mount | 1 | VZ862N |
| Kit with 12 metal screws for golf cover flush mount | 1 | VZ970N |
| Connector - 35mm ² cable adaptor for main neutral link | 1 | KM035 |



VZ620N



VZ630N

Doors

| Description | Cat ref. | Cat ref. |
|-------------|---------------|---------------|
| | Opaque door | Transp. door |
| VF/VS104 | VZ601N | VZ621N |
| VF/VS108 | VZ602N | VZ622N |
| VF/VS112 | VZ603N | VZ623N |
| VF/VS212 | VZ604N | VZ624N |
| VF/VS312 | VZ605N | VZ625N |
| VF/VS412 | VZ606N | VZ626N |
| VF/VS118 | VZ607N | VZ627N |
| VF/VS218 | VZ608N | VZ628N |
| VF/VS318 | VZ609N | VZ629N |
| VF/VS418 | VZ610N | VZ630N |

Description

Our golf Home Networking Enclosures allow you to combine Mains Distribution Boards with home networking or as a stand alone enclosure.

VS Surface and VF Flush mount available.

Features

- 18 pole wide enclosures
- Steel mounting pan
- Vented door
- DIN rail (12 mods wide)
- Reversible door
- Suitable and compliant to NBN requirements for NTD and BBPSU

VF Flush mount only features

- Vertical double outlet
- Slider (incorporates power outlet mounting block)

NOTE: Double sliders for use with 18 module wide VF flush enclosures only.

Technical information:

Surface mount [Page 46](#)
Flush mount [Page 47](#)
NBN mounting [Page 47](#)

VS Surface Mount Enclosures

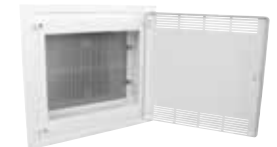
| Description | Number of rows and module(s) | Dimensions (mm) | Cat ref. |
|-------------------------|------------------------------|-------------------|-----------------|
| Surface enclosure with | 1 x row of 12 (optional) | 390w x 252h x 99d | VS218PZD |
| - Vented door | | 390w x 500h x 99d | VS318PZD |
| - Mounting pan | | 390w x 647h x 99d | VS418PZD |
| - DIN rail (not fitted) | | | |



VS218PZD

VF Flush Mount Enclosures

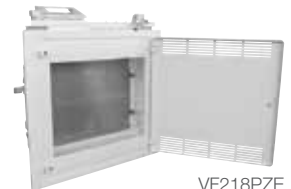
| Description | Number of rows and module(s) | Dimensions (mm) | Cat ref. |
|--------------------------------------|------------------------------|-------------------|-----------------|
| Flush enclosure with: | 1 x row of 12 | 460w x 418h x 72d | VF218PZD |
| - Vented door | | 460w x 543h x 72d | VF318PZD |
| - Pre installed vertical twin socket | | 460w x 688h x 72d | VF418PZD |
| - Mounting pan | | | |
| - DIN rail | | | |
| - Single slider | | | |



VF218PZD

VF Flush Mount Extension Box

| Description | Number of rows and module(s) | Dimensions (mm) | Cat ref. |
|---|------------------------------|-------------------|-----------------|
| Flush enclosure with: | 1 x row of 12 | 460w x 418h x 72d | VF218PZE |
| - Reversible vented door | | | |
| - Mounting pan | | | |
| - Pre installed vertical twin socket | | | |
| - DIN rail | | | |
| - Double slider (VZ850N) for combining and extending any other VFx18 golf enclosure | | | |



VF218PZE

Sliders & Accessories

Hager Sliders are designed to allow installers to modify or join flush mount, 18 module wide, golf enclosures to have a double power outlet.

| Description | Suits | Cat ref. |
|--|--------|------------------|
| Single slider | VFx18 | VZ852N |
| - Provides mounting point for a double outlet | | |
| - Can be installed top or bottom of enclosure | | |
| Double hybrid slider | VFx18 | ★ VZ849N |
| - Used to combine LV and home networking / VDI, double insulated, includes isolation plate | | |
| - Supports 1x double outlet and 1x terminal bar on opposite sides | | |
| Double slider | VFx18 | VZ850N |
| - Used to combine two Home Networking / VDI enclosures | | |
| - Mounting point for 2x double outlet (1x socket outlet in each enclosure) | | |
| Spare isolation plate for double sliders | VZ850N | VZ851N |
| - between low voltage and extra low voltage | | |
| - between main distribution board and home networking enclosure | | |
| Socket Twin 10A Vertical Shutter | VFx18 | WBP2VS-ZD |



VZ852N



VZ849N



VZ850N



VZ851N

Description

Our TN media enclosure allows you to integrate multimedia device and network cabling in your projects, allowing segregation and easy access when needed. It also helps decrease visual clutter of data cable and telecommunication equipment.

Features

- 1 DIN rail for 18 modules
- Semi-equipped enclosure
- Modular range, easy to install
- Individual RJ45 Cat 6 patch modules
- Versatile mounting grid for securing equipment
- Easily mountable over existing power outlet in a garage

TN Network Enclosure (pre-equipped)

| Description | Number of rows and module(s) | Dimensions (mm) | Cat ref. |
|---|------------------------------|--------------------|---------------|
| Mounting grid Suitable for use as a NBN NTD / NBN connection box | 1 row, 18 mod | 625h x 355w x 130d | TN470D |

Supplied with:

- 8 x RJ45 UTP Cat 6 patch modules (TN003S)
- 4 x RJ45 patch cables (Cat 6 S/FTP 0.3m) (TN733B)
- 1 x 4 output telephone splitter (TN131)
- Vented door (GP418P)
- Mounting pan



TN470D

DIN rail enclosures

Description

The components that come supplied as standard within the Hager TN network enclosures are also available separately.

Patching modules in Cat6 and Cat6 shielded, F-type modules, telephone splitters and other accessories are available.

The TN003S and TN002S Cat6 UTP and STP patch modules provide a toolless wiring system (no punch down required) with positive cable retention ensuring every cable remains in place and stays connected.

The TN111 2 in 8 out telephone splitter can be bridged to give a 1 in 8 out configuration if required.

General accessories

| Description | Characteristics | Cat ref. |
|-------------------------------|---|---------------|
| Connectors | RJ45 Cat 6 shielded patch modules | TN002S |
| | RJ45 Cat 6 unshielded patch modules | TN003S |
| | Coax F/F module | TN010S |
| RJ45 splitter | 1 RJ45 input / 4 RJ45 output | TN131 |
| | 2 RJ45 input / 8 RJ45 output | TN111 |
| Din rail | Din rail to suit golf 12 pole / module length | VZ854N |
| Patch cable | RJ45 Cat 6 patch cable 0.5m | TN735B |
| Segregation Plate | for VZ850N | VZ851N |
| Replacement doors | for VS/VF218 | VZ855N |
| | for VS/VF318 | VZ856N |
| | for VS/VF418 | VZ857N |
| Key lock supplied with 2 keys | 61005 for golf enclosure | VZ794N |



TN010S

TN002S



TN131



TN735B

DIN rail enclosures

Description

Our vega D series offers surface or flush mounted enclosures with 4 to 7 rows, allowing for 96 to 168 modules in total.

They combine sheet metal and injected plastic to achieve a light yet strong double insulated enclosure perfect for commercial installations or smart homes.

Features

- 150mm between DIN rails
- IP30 / IK07 without door
- IP40 / IK08 with door - flush
- IP41 / IK08 with door - surface
- Removable chassis with DIN rails for ease of installation.
- Powder coated metal exterior
- Pole fillers
- Cable brackets on each DIN rail
- Marking strips / label holders

Standards

Compliant to AS/NZS 5112 and AS/NZS 61439-3.

Supplied with Hybrid Q-link Earth links only. Additional Neutral or Phase Hybrid Q-links must be ordered separately.

Dimension data: [Page 102](#)

DIN rail enclosures



FD42DN



FD72DN

vega D FD surface and FU flush enclosures without doors

| Description | Number of rows and module(s) | Dimensions (mm) | Cat ref. Surface | Cat ref. Flush |
|---|--------------------------------|--|------------------|----------------|
| Supplied with: 1 x terminal mount (FD00Q1) 1 x Q-link Earth - (KN22E) 1 x Q-link Earth - (KN26E) | 4 rows of 24, 96 mod total | 750h x 550w x 193d 837h x 550w x 150d | FD42DN | FU42DN |
| | 5 rows of 24, 120 mod total | 900h x 550w x 193d 987h x 550w x 150d | FD52DN | FU52DN |
| Supplied with: 2 x terminal mounts (FD00Q1) 3 x Q-link Earth - (KN26E) | 6 rows of 24, 144 mod total | 1050h x 550w x 193d 1137h x 550w x 150d | FD62DN | FU62DN |
| | 7 rows of 24, 168 mod total | 1200h x 550w x 193d 1287h x 550w x 150d | FD72DN | FU72DN |



FD52TN

vega D transparent doors

| Description | Characteristics | Cat ref. |
|---|--------------------------|---------------|
| Reversible, suitable for FD surface and FU flush enclosures. Sheet metal and powder coated, c/w 3mm hardened glass. Inclusion of door improves isolation class to IP41. | To suit FD42DN or FU42DN | FD42TN |
| | To suit FD52DN or FU52DN | FD52TN |
| | To suit FD62DN or FU62DN | FD62TN |
| | To suit FD72DN or FU72DN | FD72TN |



FD52PN

vega D plain doors

| Description | Characteristics | Cat ref. |
|---|--------------------------|---------------|
| Reversible, suitable for FD surface and FU flush enclosures. Sheet metal and powder coated. Inclusion of door improves isolation class to IP41. | To suit FD42DN or FU42DN | FD42PN |
| | To suit FD52DN or FU52DN | FD52PN |
| | To suit FD62DN or FU62DN | FD62PN |
| | To suit FD72DN or FU72DN | FD72PN |

Accessories

| Description | Characteristics | Cat ref. |
|--|--|----------------------------|
| Standard vega D door latch | Standard rotary latch, can be sealed with max Ø1.5mm wire | FD00S0 |
| vega D keyed lock | Used to upgrade the standard latch to lock and key. Key No.1242E | FD00S1 |
| Circuit schedule holder | To suit A4 sized document | FZ794 |
| Black universal support to mount Q-Link terminal blocks | Can mount a combination of up to 6 modules wide Q Link terminals | KN00A |
| Enclosure width support to mount Hybrid Q-Link terminal blocks | Can mount a combination of up to 24 mod* wide KN Hybrid Q-Link terminals | FD00Q1 |
| Neutral Hybrid Q-Link terminal blocks 63A (Blue) | 2 x 25mm ² (screw) + 8 x 4mm ² (Q Link) terminal | 2.5 mod* wide KN10N |
| | 3 x 25mm ² (screw) + 11 x 4mm ² (Q Link) terminal | 3.5 mod* wide KN14N |
| | 4 x 25mm ² (screw) + 14 x 4mm ² (Q Link) terminal | 4 mod* wide KN18N |
| | 5 x 25mm ² (screw) + 17 x 4mm ² (Q Link) terminal | 5 mod* wide KN22N |
| | 6 x 25mm ² (screw) + 20 x 4mm ² (Q Link) terminal | 6 mod* wide KN26N |
| | Blue bridging clip x 10 | KN99N |
| Earth Hybrid Q-Link terminal blocks 63A (Green) | 2 x 25mm ² (screw) + 8 x 4mm ² (Q Link) terminal | 2.5 mod* wide KN10E |
| | 3 x 25mm ² (screw) + 11 x 4mm ² (Q Link) terminal | 3.5 mod* wide KN14E |
| | 4 x 25mm ² (screw) + 14 x 4mm ² (Q Link) terminal | 4 mod* wide KN18E |
| | 5 x 25mm ² (screw) + 17 x 4mm ² (Q Link) terminal | 5 mod* wide KN22E |
| | 6 x 25mm ² (screw) + 20 x 4mm ² (Q Link) terminal | 6 mod* wide KN26E |
| | Green bridging clip x 10 | KN99E |
| Phase Hybrid Q-Link terminal blocks 63A (Red) | 2 x 25mm ² (screw) + 8 x 4mm ² (Q Link) terminal | 2.5 mod* wide KN10P |
| | 3 x 25mm ² (screw) + 11 x 4mm ² (Q Link) terminal | 3.5 mod* wide KN14P |
| | 4 x 25mm ² (screw) + 14 x 4mm ² (Q Link) terminal | 4 mod* wide KN18P |
| | 5 x 25mm ² (screw) + 17 x 4mm ² (Q Link) terminal | 5 mod* wide KN22P |
| | 6 x 25mm ² (screw) + 20 x 4mm ² (Q Link) terminal | 6 mod* wide KN26P |
| | Red bridging clip x 10 | KN99P |
| Modular Neutral connecting block 125A | To connect the main neutral cable up to 50mm ² when the enclosure is utilised for low voltage installation. | KRN199 |
| Gear tray module with perforated plate 370 x 290mm to fit non modular device | 415mm x 235mm (Not suitable for FU flush enclosures) | FD02C2 |
| Cable management retainer to hide cables below DIN rail | (x20) large (Not suitable for FU flush enclosures) | UZ25V1 |
| | (x20) small | UZ25V2 |
| Retainer support / extension arms | (x20) | UZ01V1 |
| DIN rail to suit vega D | (x2) | UZ02B9 |
| 24 pole filler / cover strip | 1 strip - 24 modules wide Width 430mm, Height 54mm - to suit 46mm slot Colour: RAL 9010 | JP002 |
| Passive vent kit (changes IP41 to IP30) | Pair | FD00P5 |
| Internal partition IP2X for physical separation between higher and lower voltage / current | For FD surface enclosure | FD00A3 |
| | For FU flush enclosure | FD00A5 |
| External wall mount brackets | To fix FD surface enclosures | FD00F2 |
| Mounting anchors (x4) to suit FU flush enclosures | For plaster walls from 7 to 30mm thickness | VZ405N |
| Frame mounting screws - plastic (x4) | For vega D FU flush and FD surface enclosures | ZZ42BS |
| Slotted panel trunking, grey, 2 metre length to be cut to 438mm length for horizontal mounting | 40 x 30mm for vega D surface and flush | BA7A40030 |
| | 60 x 30mm for vega D surface and flush | BA7A60030 |
| | 80 x 30mm for vega D surface only | BA7A80030 |
| | 100 x 30mm for vega D surface only | BA7A100030 |



FZ794



KN00A



FD00Q1



KN10N, KN10E, KN10P



FD02C2



UZ01V1

UZ25V1

UZ25V2



UZ02B9



JP002



FD00P5



FD00A3

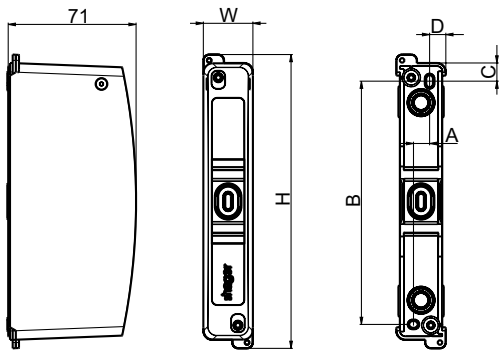


FD00F2



VZ405N

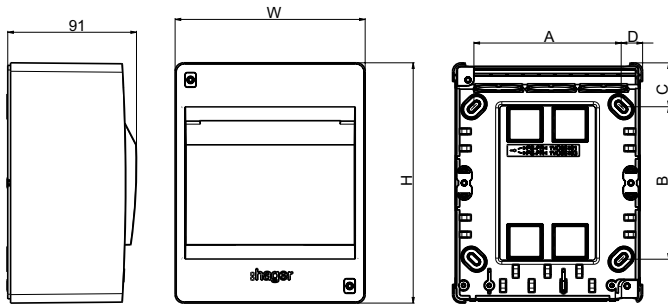
1 to 4 pole VD Enclosures



| Refs | Width | Height | A | B | C | D |
|---------|-------|--------|------|-------|------|----|
| VD101NT | 27.5 | 163.5 | 9 | 135.5 | 10 | 9 |
| VD102NT | 45.5 | 163.5 | 26 | 135.5 | 10 | 9 |
| VD103NT | 63.5 | 163.5 | 35.5 | 126 | 12.5 | 15 |
| VD104NT | 81.5 | 163.5 | 52.7 | 125 | 13 | 16 |

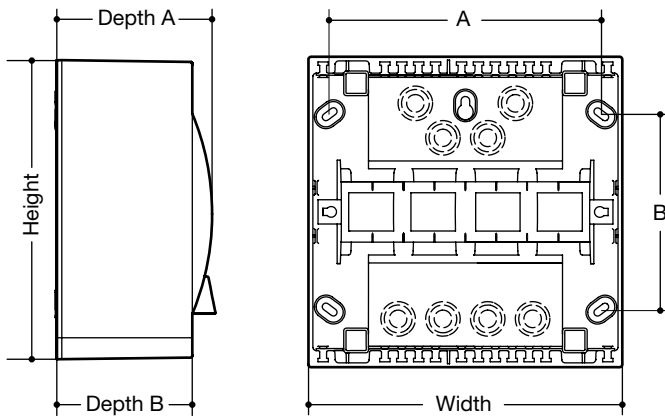
DIN rail enclosures

6 to 10 pole VD Enclosures



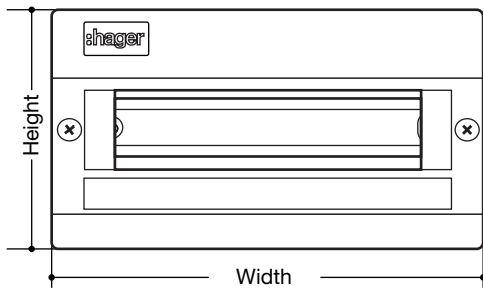
| Refs | Width | Height | A | B | C | D |
|---------|-------|--------|-------|-------|------|------|
| VD106NT | 134.5 | 170 | 104 | 108 | 31 | 15 |
| VD108NT | 170.5 | 170 | 139.5 | 107 | 31.5 | 15.5 |
| VD110NT | 206.5 | 170 | 176 | 107 | 32 | 15 |
| VD112NT | 292.5 | 200 | 262.5 | 137 | 32 | 15 |
| VD118NT | 400 | 200 | 371.5 | 131.5 | 34 | 14.5 |

2 to 6 mod wide GD Enclosures



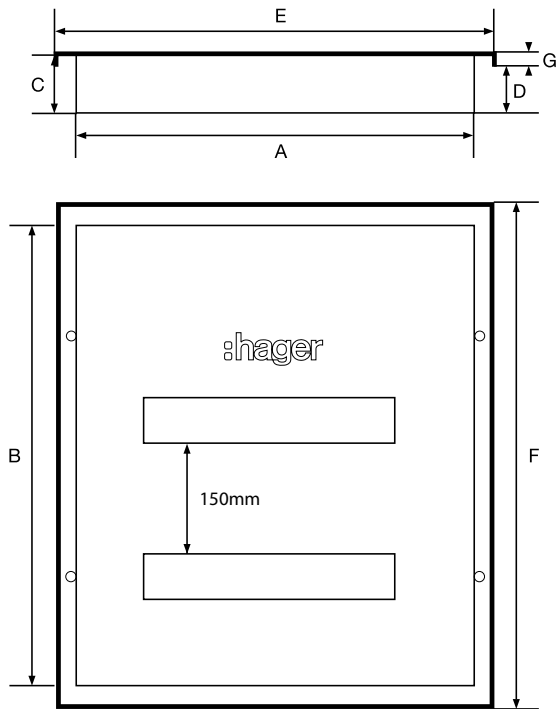
| Refs | Dimensions (mm) | | | | Fixing centres | |
|--------|-----------------|--------|---------|---------|----------------|-----|
| | Width | Height | Depth A | Depth B | A | B |
| GD102T | 55 | 160 | 94 | 82 | N/A | N/A |
| GD104T | 110 | 180 | 94 | 82 | 86 | 114 |
| GD106T | 148 | 180 | 94 | 82 | 122 | 114 |

GD10T Enclosures



| Refs | Dimensions (mm) | | |
|-------|-----------------|--------|-------|
| | Width | Height | Depth |
| GD10T | 250 | 140 | 65 |

DIN rail enclosures

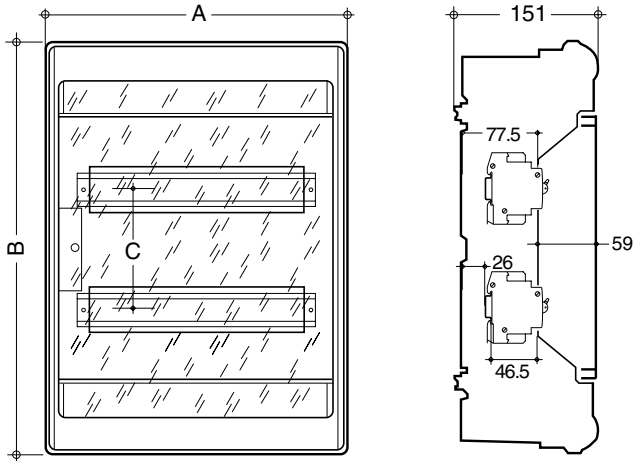


VT Flush Enclosures

| Refs | Row | Enclosure sizes (Cut-out) | | | Escutcheon | | |
|-------|-----|---------------------------|--------|--------|------------|--------|-------|
| | | Width | Height | Recess | Width | Height | Depth |
| VT09F | 1 | 255 | 245 | 60 | 305 | 295 | 10 |
| VT12F | 1 | 305 | 255 | 60 | 355 | 305 | 10 |
| VT18F | 1 | 410 | 255 | 60 | 462 | 305 | 10 |
| VT24F | 2 | 360 | 415 | 60 | 415 | 460 | 10 |
| VT36F | 3 | 360 | 605 | 60 | 415 | 655 | 10 |
| VT48F | 4 | 460 | 745 | 60 | 510 | 795 | 10 |

VT Surface Enclosures

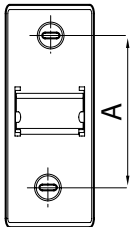
| Refs | Row | Enclosure sizes | | |
|-------|-----|-----------------|--------|-------|
| | | Width | Height | Depth |
| VT09S | 1 | A | B | C |
| VT12S | 1 | 310 | 260 | 70 |
| VT18S | 1 | 417 | 260 | 70 |
| VT24S | 2 | 370 | 420 | 70 |
| VT36S | 3 | 370 | 610 | 70 |
| VT48S | 4 | 465 | 750 | 70 |



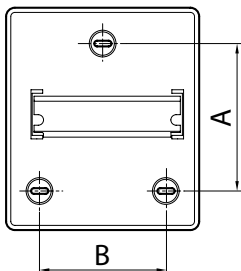
vector Enclosures

| References | Width | | Height | Between DIN |
|------------|-------|-----|--------|-------------|
| | A | B | C | |
| VE103 | 111 | 175 | N/A | |
| VE106 | 165 | 190 | N/A | |
| VE110 | 237 | 210 | N/A | |
| VE112 | 310 | 302 | N/A | |
| VE118 | 418 | 302 | N/A | |
| VE212 | 310 | 427 | 125 | |
| VE218 | 418 | 452 | 150 | |
| VE312 | 310 | 552 | 125 | |
| VE318 | 418 | 602 | 150 | |
| VE412 | 310 | 677 | 125 | |

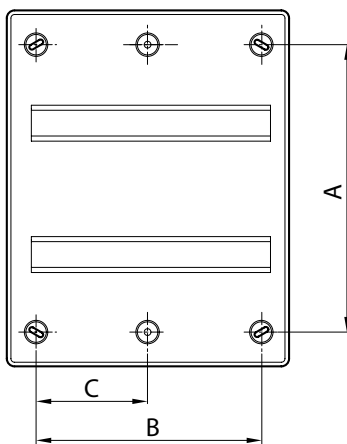
VE103



VE106 - VE110



VE112 - VE318

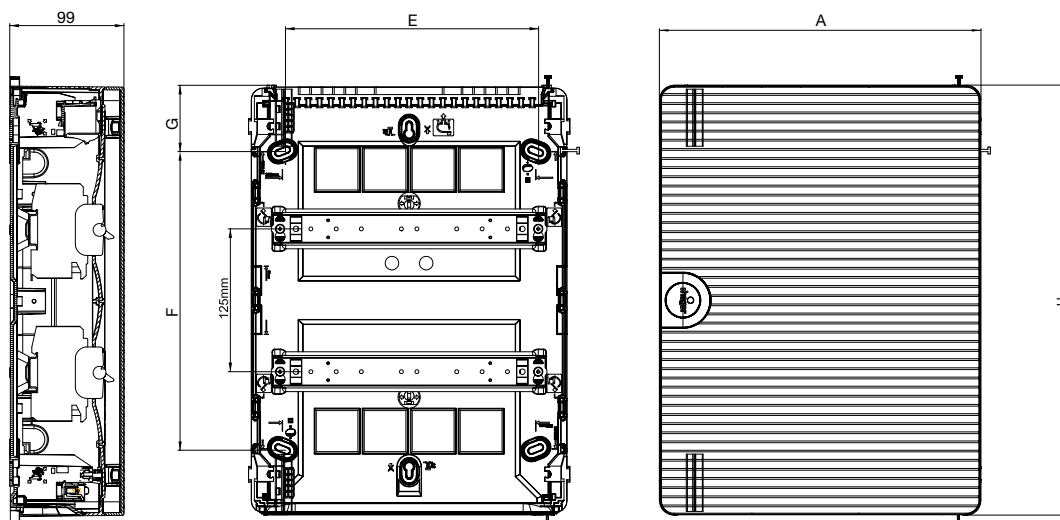


Mounting holes

| References | Fixing centres | | |
|------------|----------------|-----|-----|
| | A | B | C |
| VE103 | 120 | N/A | N/A |
| VE106 | 126 | 108 | N/A |
| VE110 | 136 | 180 | N/A |
| VE112 | 155 | 230 | 115 |
| VE212 | 280 | 230 | 115 |
| VE312 | 405 | 230 | 115 |
| VE412 | 530 | 230 | 115 |
| VE118 | 155 | 338 | 169 |
| VE218 | 305 | 338 | 169 |
| VE318 | 455 | 338 | 169 |

Uniform enclosure dimensions across the golf VS range

The dimensions below are for all golf VS / surface mount enclosures, including the golf home networking VS / surface mount enclosures



DIN rail enclosures

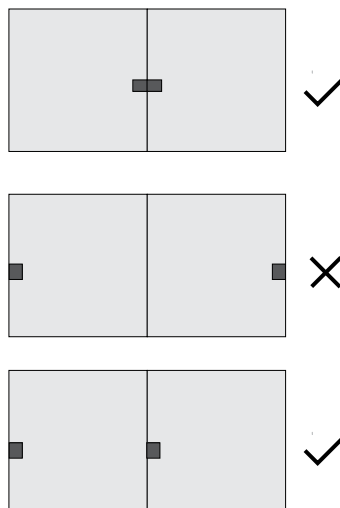
| Ref | | Dimension | | Wall fixation | | |
|----------|----------------------------|-----------|-----|---------------|-----|----|
| | | A | H | E | F | G |
| VS104... | 1 row 4I | 138 | 184 | 101 | 68 | 58 |
| VS108... | 1 row 8I | 210 | 184 | 174 | 68 | 58 |
| VS112... | 1 row 12I | 282 | 252 | 222 | 136 | 58 |
| VS118... | 1 row 18I | 390 | 252 | 330 | 136 | 58 |
| VS212... | 2 rows of 12I 24I total | 282 | 377 | 222 | 261 | 58 |
| VS218... | 2 rows of 18I 36I total | 390 | 377 | 330 | 261 | 58 |
| VS312... | 3 rows of 12I 36I total | 282 | 500 | 222 | 386 | 58 |
| VS318... | 3 rows of 18I 54I total | 390 | 500 | 330 | 386 | 58 |
| VS412... | 4 rows of 12I 48I total | 282 | 647 | 222 | 491 | 78 |
| VS418... | 4 rows of 18I 72I total | 390 | 647 | 330 | 491 | 78 |

Cable entries - top/bottom

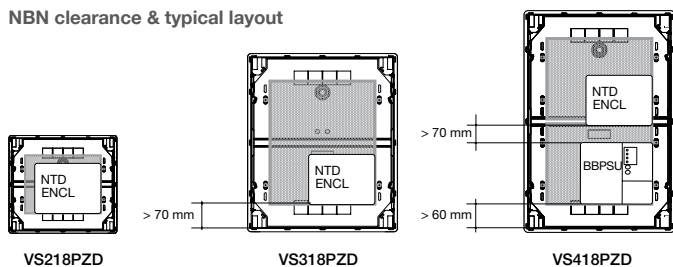
One side of the surface enclosure is designed for the use of trunking and knock outs. The other side of the enclosure has dimples located for the various sizes of conduit entries, 20mm, 25mm, 32mm and 40mm. The enclosure is symmetrical through 180°.

Side by side installation

The design of golf allows for two enclosures to be mounted side by side. However installers should note the door hinges should not both be in the middle.

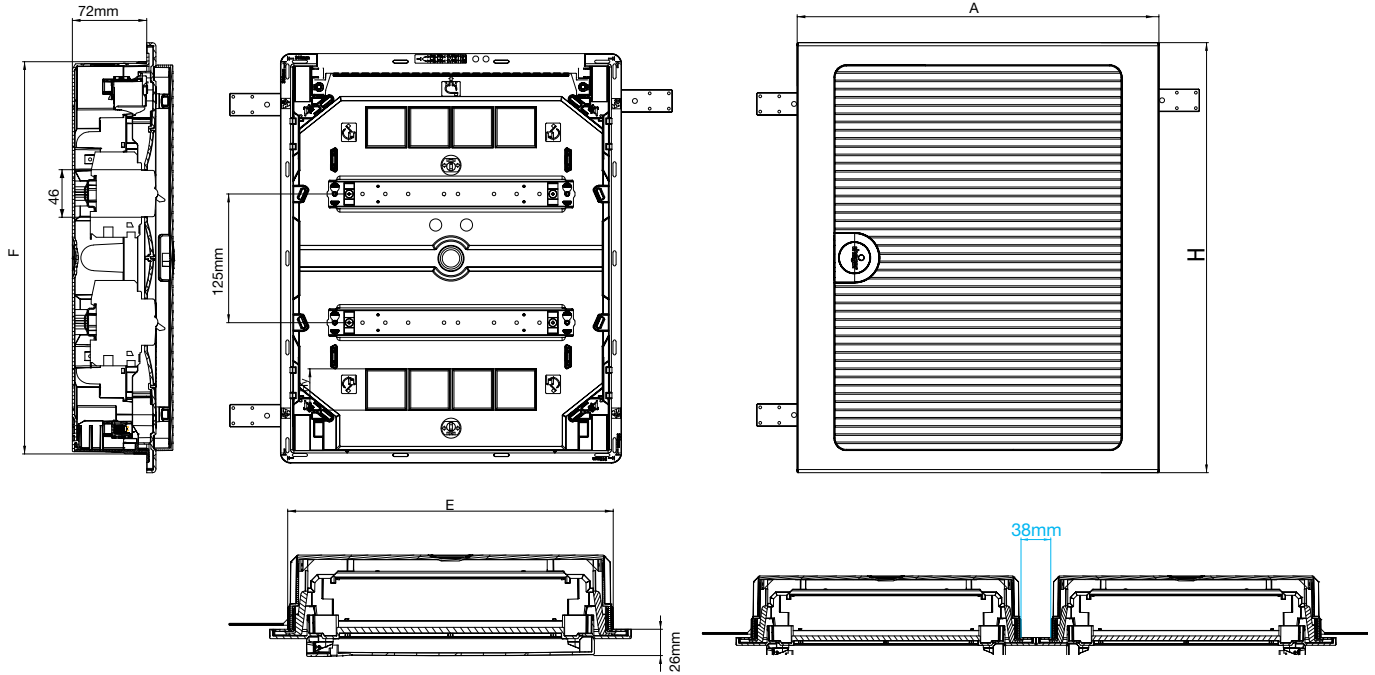


NBN clearance & typical layout



Uniform enclosure dimensions across the golf VF range

The dimensions below are for all golf VF / flush mount enclosures, including the golf home networking VF / flush mount enclosures



Cable entries - top/bottom

The flush enclosures have dimples precut with diameters 20, 25, 32 and 40mm. The wall box is 180° rotatable, to provide slider position on top or bottom.

Cutout for combined boards utilising double slider

When connecting 2 x VFx18 enclosures with a double slider, an additional 38mm must be added to the total cutout height of the boards. e.g. VF118PT joining with a VF218PZD = 257mm + 382mm + 38mm. Total height for the cutout = 677mm. Width remains consistent at 426mm.

NOTE: Joining double slider for use with 18 module wide flush enclosures only.

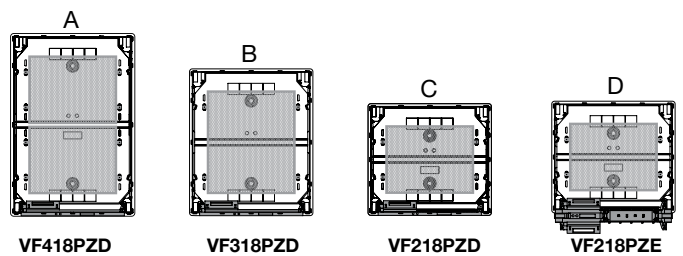
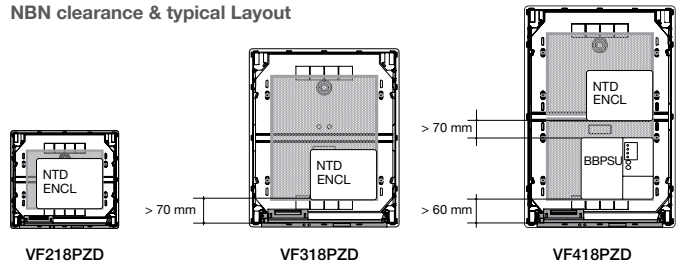
| Flush Ref | | Dimension | | Wall Cut Out | |
|-----------|----------------------------|-----------|-----|--------------|-----|
| | | A | H | E | F |
| VF104... | 1 row 4I | 204 | 225 | 170 | 189 |
| VF108... | 1 row 8I | 275 | 225 | 242 | 189 |
| VF112... | 1 row 12I | 352 | 293 | 318 | 257 |
| VF118... | 1 row 18I | 460 | 293 | 426 | 257 |
| VF212... | 2 rows of 12I 24 total | 352 | 418 | 318 | 382 |
| VF218... | 2 rows of 18I 36I total | 460 | 418 | 426 | 382 |
| VF312... | 3 rows of 12I 36I total | 352 | 543 | 318 | 507 |
| VF318... | 3 rows of 18I 54I total | 460 | 543 | 426 | 507 |
| VF412... | 4 rows of 12I 48I total | 352 | 688 | 318 | 652 |
| VF418... | 4 rows of 18I 72I total | 460 | 688 | 426 | 652 |

For the wall cut out, these dimensions are minimal. Depth must always be 72mm min.

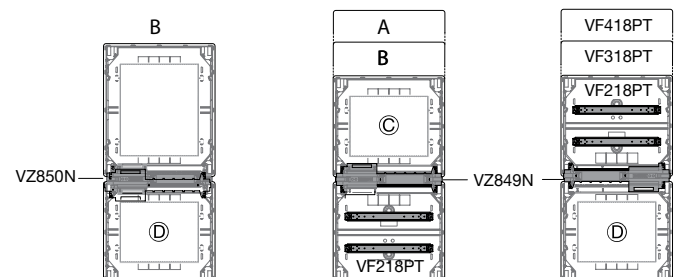
Earthed metal back plate dimensions

| Cat Ref. | Height (mm) | Width (mm) | Thickness (mm) | Suits encl. |
|----------|-------------|------------|----------------|-------------|
| VF112BP | 353 | 310 | 1 | VF112xT |
| VF212BP | 478 | 310 | 1 | VF212xT |
| VF312BP | 602 | 310 | 1 | VF312xT |
| VF412BP | 748 | 310 | 1 | VF412xT |
| VF118BP | 353 | 418 | 1 | VF118xT |
| VF218BP | 478 | 418 | 1 | VF218xT |
| VF318BP | 602 | 418 | 1 | VF318xT |
| VF418BP | 748 | 418 | 1 | VF418xT |

NBN clearance & typical Layout

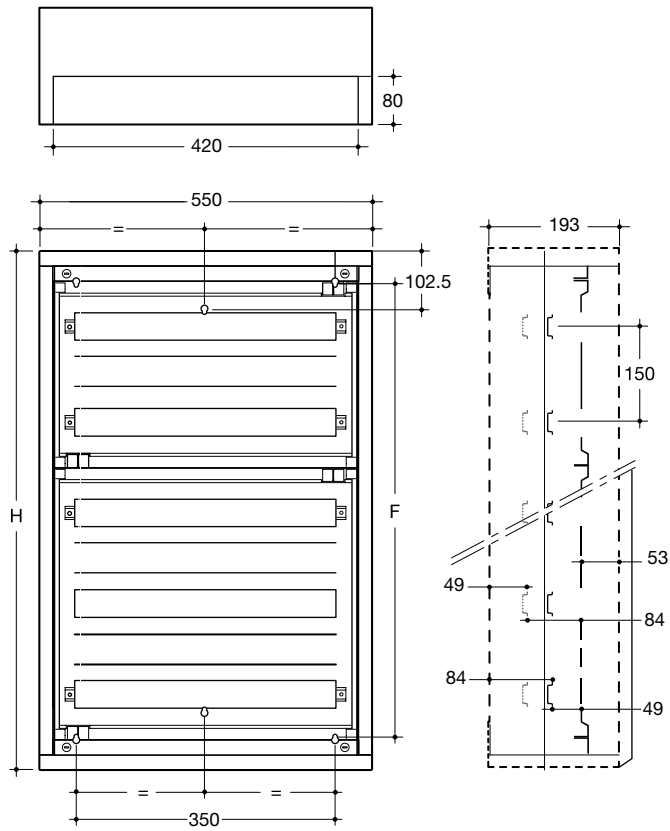


Example combination of mains distribution and networking combined



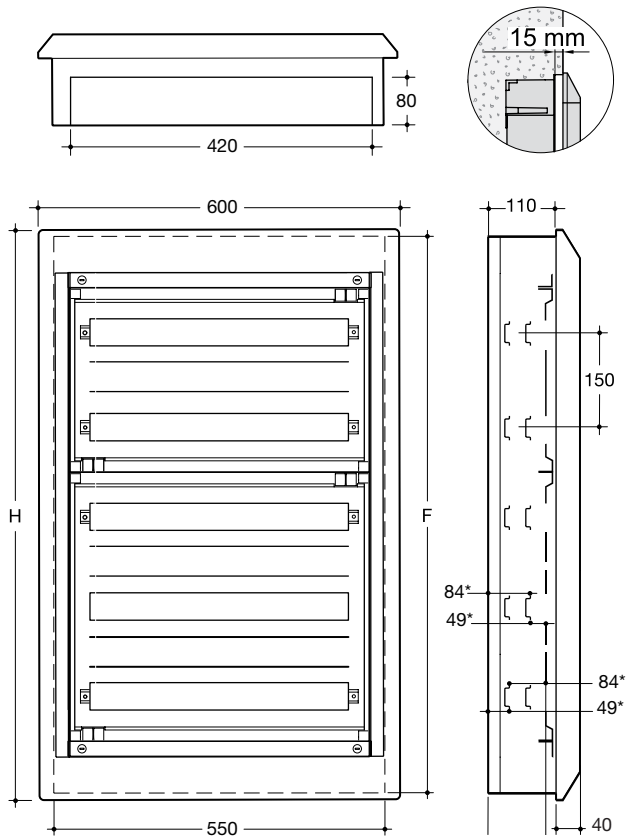
DIN rail enclosures

vega D Surface Mount Enclosures



| Dims (mm) | Fixing centres | |
|---------------|----------------|------|
| | H | F |
| FD42DN | 750 | 625 |
| FD52DN | 900 | 775 |
| FD62DN | 1050 | 925 |
| FD72DN | 1200 | 1075 |

vega D Flush Mount Enclosures



| Dims (mm) | Hole height | |
|---------------|-------------|------|
| | H | F |
| FU42DN | 837 | 806 |
| FU52DN | 987 | 956 |
| FU62DN | 1137 | 1106 |
| FU72DN | 1287 | 1256 |

DIN rail enclosures

**Residential
distribution solutions**

Beautifully simple

The complete system

From its award winning aesthetics on the outside, to our installer friendly onekonekt protection device range, home networking or a combination of both, the golf distribution system is the most flexible, comprehensive and beautifully simple solution on the market.

