

Small enclosures

As a specialist for housing and commercial premises enclosures, we provide a large range of products. Plastic or steel enclosures, flush or surface mounting, there is always a solution to fit to your need.



consumer unit	1.4
invicta VT	1.5
invicta DR	1.6
mini gamma	1.7
gamma 13 and gamma 18	1.8
cosmos	1.10
golf	1.13
gala	1.16
vega	1.17
volta	1.20
vector	1.22
vega D	1.26
FW	1.38
vector security	1.52
technical guide	1.53

Degree of protection

Installation type:

Residential, commercial, professional and industrial premises

IP30

Premises with risk of medium external influences



mini gamma
IP30 without door, plastic,
surface mounting, 2 to 10 ■
page 1.7



gamma 13, gamma 18
IP30 without door, plastic,
surface mounting, 13 to 72 ■
page 1.8 and 1.9

IP40 / IP41

Premises with risk of medium external influences



consumer unit
IP40 with door, metallic,
surface mounting, 6 to 18 ■
page 1.4



mini gamma
IP40 with door, plastic,
surface mounting, 2 to 10 ■
page 1.7



invicta VT consumer unit
IP40 with door, metallic, flush
and surface mounting, 4 to
20 ■
page 1.5



gamma 13, gamma 18
IP40 with door, plastic,
surface mounting, 13 to 72 ■
page 1.8 and 1.9



invicta DR
IP40 with door, metallic, flush
and surface mounting, 16 to
96 ■
page 1.6



invicta TP&N 125 and 250
IP41 with door, wall mounting
metallic enclosure, flush and
surface mounting, 4 to 24
ways, 13 to 72 ■
page 2.2 to 2.5



**Enclosed fuse combination
switch**
IP41 with door, wall mounting
metallic enclosure, surface
mounting, 20 to 800 A
page 2.10 to 2.11



Enclosed load break switch
IP40 with door, wall mounting
metallic enclosure, surface
mounting, 20 to 1600 A
page 2.12 and 2.13

IP43 / IP44

Premises with risk of medium external influences



FW
IP44 with door, metallic,
surface mounting, 36 to 288 ■
page 1.44 to 1.51



quadro 4
IP43 enclosures with door, to
be assembled, floor standing
or wall mounting, height 450
to 1800 mm, width 370 and
620 mm, up to 630A
page 2.14 to 2.21

IP54 / IP55

Premises with risk of high external influences



vega D
IP54 with door, plastic, flush
and surface mounting, 48 to
168 ■
page 1.35 to 1.37



vector
IP55 with door, plastic,
surface mounting, 2 to 54 ■
page 1.22 and 1.23



vector security
IP55 with glass door, metallic,
surface mounting, 6 to 10 ■
page 1.52



orion.tech IP55 enclosures
with door
page 2.102 and 2.103

IP65

Premises with risk of high external influences



vector
IP65 with door, plastic,
surface mounting, 3 to 54 ■
page 1.24 and 1.25



orion plus IP65/66 enclosures with door
- orion polyester,
- orion steel,
- orion inox (stainless steel),
page 2.71 to 2.101



gala
IP30 with door, plastic,
surface mounting, 12 to 48 ■
page 1.16



volta
IP30 with door, plastic, flush
mounting, 12 to 60 ■
page 1.20 and 1.21



FW
IP30 with door, metallic, flush
mounting, 36 to 288 ■
page 1.38 to 1.43



cosmos
IP40 with door, plastic, flush
and surface mounting, 6 to
24 ■
page 1.10 to 1.12



vega
IP40 with door, plastic,
surface mounting, 18 to 72 ■
page 1.17 to 1.19



golf
IP40 with door, plastic, flush
and surface mounting, 8 to
24 ■
page 1.13 to 1.15



vega D
IP40/41 with door, plastic,
flush and surface mounting,
48 to 168 ■
page 1.26 to 1.33



**invicta 250, 400, 630/800
panel board**
IP41 with door, wall mounting
metallic enclosure, surface
mounting, 2 to 16 ways
page 2.6 to 2.9



quadro5
IP55 with door, floor standing
or wall mounting metallic and
monobloc enclosures, height
510 to 2010 mm width 450 to
900 mm, up to 630A
page 2.22 to 2.27



quadro+
IP55 floor standing metallic
enclosures, to be assembled,
height 1900 and 2100 mm
width 450 to 1000 mm, up to
4000A
page 2.28 to 2.46



**quadro automation, FK
range**
- metallic automation
enclosure
- metallic automation desk,
page 2.104 to 2.109

Characteristics

Easy to install, compact size and with a large wiring space, the consumer unit range is presented in flush and surface versions mounting enclosures and dedicated to indoor use. The range includes boxes with capacities of 1 row from 6 to 18 ■.

Delivered with

Neutral and earth terminal, plain door and 100A tinned copper busbar.

Technical data

- IP40
- class I
- nominal current (In): 100A
- rated voltage (Ue): 240V AC - 50 Hz
- insulation voltage (Ui): 690V
- rated impulse withstand voltage (Uimp): 6kV
- conditional short circuit current: 25kA
- DIN rail mounting
- colour: grey white RAL 9002
- 1,2mm thick sheet steel epoxy powder coated enclosure
- metallic enclosure
- 70mm depth

Complies with

BS EN 61 439-1 and BS EN 61 439-3

Consumer unit flush mounting

Description	Nr. of outgoing ways	Wall niche H x W x D (mm)	Cat.ref.
1 row, 6 ■	4	226 x 208 x 70	VT04FM - NT
1 row, 8 ■	6	226 x 244 x 70	VT06FM - NT
1 row, 10 ■	8	226 x 280 x 70	VT08FM - NT
1 row, 12 ■	10	226 x 316 x 70	VT10FM - NT
1 row, 14 ■	12	226 x 352 x 70	VT12FM - NT
1 row, 18 ■	16	226 x 424 x 70	VT16FM - NT



VT04SM

Consumer unit surface mounting

Description	Nr. of outgoing ways	Wall niche H x W x D (mm)	Cat.ref.
1 row, 6 ■	4	231 x 214 x 92	VT04SM - NT
1 row, 8 ■	6	231 x 250 x 92	VT06SM - NT
1 row, 10 ■	8	231 x 286 x 92	VT08SM - NT
1 row, 12 ■	10	231 x 322 x 92	VT10SM - NT
1 row, 14 ■	12	231 x 358 x 92	VT12SM - NT
1 row, 18 ■	16	231 x 430 x 92	VT16SM - NT

Characteristics

Easy to install, compact size and with a large wiring space the consumer unit range is presented in flush and surface mounting versions enclosures and dedicated to indoor use. The range includes boxes with capacities of 1 row from 4 to 20 ■ and completed with 3 types of flap with an integrated maintaining position system.

Delivered with

Neutral and earth terminal, plain, transparent or metal flap and removable DIN rail assembly.

Technical data

- IP40
- class I
- nominal current (In): 63A
- rated voltage (Ue): 400 V AC - 50Hz
- DIN rail mounting
- colour: RAL 9002
- 1,2mm thick sheet steel epoxy powder coated enclosure
- metallic enclosure
- 80mm depth

Glow wire test

BS EN 60 695-2 and BS EN 60 695-11: 850°C

Complies with

BS EN 61 439-3

invicta VT flush mounting

Description	Wall niche H x W x D (mm)	Cat.ref.
1 row, 4 ■ with metal flap (non transparent)	220 x 206 x 80	VT04MF
1 row, 4 ■ with opaque plastic flap	220 x 206 x 80	VT04PNF
1 row, 4 ■ with transparent plastic flap	220 x 206 x 80	VT04TF
1 row, 8 ■ with metal flap (non transparent)	220 x 277 x 80	VT08MF
1 row, 8 ■ with opaque plastic flap	220 x 277 x 80	VT08PNF
1 row, 8 ■ with transparent plastic flap	220 x 277 x 80	VT08TF
1 row, 12 ■ with metal flap (non transparent)	220 x 348 x 80	VT12MF
1 row, 12 ■ with opaque plastic flap	220 x 348 x 80	VT12PNF
1 row, 12 ■ with transparent plastic flap	220 x 348 x 80	VT12TF
1 row, 16 ■ with metal flap (non transparent)	220 x 420 x 80	VT16MF
1 row, 16 ■ with opaque plastic flap	220 x 420 x 80	VT16PNF
1 row, 16 ■ with transparent plastic flap	220 x 420 x 80	VT16TF
1 row, 20 ■ with metal flap (non transparent)	220 x 491 x 80	VT20MF
1 row, 20 ■ with opaque plastic flap	220 x 491 x 80	VT20PNF
1 row, 20 ■ with transparent plastic flap	220 x 491 x 80	VT20TF



VT12MF


invicta VT surface mounting

Description	Wall niche H x W x D (mm)	Cat.ref.
1 row, 4 ■ with metal flap (non transparent)	253 x 245 x 93	VT04MS
1 row, 4 ■ with opaque plastic flap	253 x 245 x 93	VT04PNS
1 row, 4 ■ with transparent plastic flap	253 x 245 x 93	VT04TS
1 row, 8 ■ with metal flap (non transparent)	253 x 316 x 93	VT08MS
1 row, 8 ■ with opaque plastic flap	253 x 316 x 93	VT08PNS
1 row, 8 ■ with transparent plastic flap	253 x 316 x 93	VT08TS
1 row, 12 ■ with metal flap (non transparent)	253 x 387 x 93	VT12MS
1 row, 12 ■ with opaque plastic flap	253 x 387 x 93	VT12PNS
1 row, 12 ■ with transparent plastic flap	253 x 387 x 93	VT12TS
1 row, 16 ■ with metal flap (non transparent)	253 x 458 x 93	VT16MS
1 row, 16 ■ with opaque plastic flap	253 x 458 x 93	VT16PNS
1 row, 16 ■ with transparent plastic flap	253 x 458 x 93	VT16TS
1 row, 20 ■ with metal flap (non transparent)	253 x 529 x 93	VT20MS
1 row, 20 ■ with opaque plastic flap	253 x 529 x 93	VT20PNS
1 row, 20 ■ with transparent plastic flap	253 x 529 x 93	VT20TS



VT12TF

Characteristics

Easy to install, compact size and with a large wiring space the consumer unit range is presented in flush and surface mounting versions enclosures and dedicated to an indoor use. The range includes boxes with capacities of 1 row up to 6 rows and from 16 to 96  and completed with 3 types of flap with an integrated maintaining position system.

Delivered with

Plain metallic door or transparent cut on metallic door and removable DIN rail chassis.

Technical data

- IP40
- class I
- nominal current (In): 63A
- rated voltage (Ue): 400V AC - 50Hz
- DIN rail mounting
- colour: RAL 9001
- 1,2mm thick sheet steel epoxy powder coated enclosure
- metallic enclosure
- 110mm depth

Complies with







IEC 61 439-1 and IEC 61 439-3



DR32F

invicta DR flush mounting

with full metallic door transparent cut out door





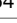

Description	Wall niche H x W x D (mm)	Cat.ref.	
		plain door	transparent door
1 row, 16 	320 x 400 x 110	DR16F	DR16FT
2 rows, 32 	470 x 400 x 110	DR32F	DR32FT
3 rows, 48 	620 x 400 x 110	DR48F	DR48FT
4 rows, 64 	770 x 400 x 110	DR64F	DR64FT
5 rows, 80 	820 x 400 x 110	DR80F	DR80FT
6 rows, 96 	1070 x 400 x 110	DR96F	DR96FT




DR32ST

invicta DR surface mounting

with full metallic door transparent cut out door

Description	Wall niche H x W x D (mm)	Cat.ref.	
		plain door	transparent door
1 row, 16 	325 x 405 x 110	DR16S	DR16ST
2 rows, 32 	475 x 405 x 110	DR32S	DR32ST
3 rows, 48 	625 x 405 x 110	DR48S	DR48ST
4 rows, 64 	775 x 405 x 110	DR64S	DR64ST
5 rows, 80 	825 x 405 x 110	DR80S	DR80ST
6 rows, 96 	1075 x 405 x 110	DR96S	DR96ST

Accessories

Description	Cat.ref.
joining kits for flush boards	JK01FK
joining kits for surface boards	JK01SK
1  blanking strip	P032H
keylock	VZ303

Characteristics

The mini gamma surface mounting boxes range is dedicated to small applications or extensions. The range includes boxes with capacities of 1 row and from 2 to 10 ■ and completed with transparent or plain doors.

Delivered with

Earth terminal (except GD102E) and marking labels.

Note: enclosures of this range are delivered without door.

Technical data

- IP30 and IK05 without door
- IP40 and IK05 with door
- class II □
- nominal current (In): 63A
- rated voltage (Ue): 400V AC - 50Hz
- DIN rail included
- colour : RAL 9010
- made in insulating plastic material
- 82mm depth

Glow wire test

IEC 60 695-2 and IEC 60 695-11: 850°C

Complies with

IEC 61439-3

mini gamma enclosures

Description	Wall niche H x W x D (mm)	Cat.ref.
1 row, 2 ■	160 x 55 x 82	GD102E
1 row, 4 ■	180 x 110 x 82	GD104E
1 row, 6 ■	180 x 146 x 82	GD106E
1 row, 8 ■	180 x 182 x 82	GD108E
1 row, 10 ■	180 x 218 x 82	GD110E



GD106E

Doors

with integrated handle

Description	Cat.ref.	
	plain doors	transparent doors
for GD102A	GP102P	GP102T
for GD104A	GP104P	GP104T
for GD106A	GP106P	GP106T
for GD108A	GP108P	GP108T
for GD110A	GP110P	GP110T



GP106P



GP110T

Terminal and terminal supports

Description	Cat.ref.
4 neutral terminals, IP2X, from 1.5 to 16 mm ²	GZ04N
4 earth terminals, IP2X, from 1.5 to 16 mm ²	GZ04E
7 neutral terminals, IP2X, from 1.5 to 16 mm ²	GZ07N
7 earth terminals, IP2X, from 1.5 to 16 mm ²	GZ07E
for GD104A	GZ104S
for GD106A	GZ106S
for GD108A	GZ108S
for GD110A	GZ110S



GZ04E



GZ108S

Accessories

Description	Cat.ref.
keylock for plain or transparent doors	VZ313
blanking 12 ■	S35S
blanking 24 ■	JP002
cable gland M20	GZ100G



VZ313

Characteristics

The gamma surface mounting enclosure range is mainly dedicated to residential applications. The range includes boxes with capacities of 1 row up to 4 rows and from 13 to 52 ■ and completed with transparent or plain doors.

Delivered with

neutral and earth terminal, marking labels and blanking clips

Note: enclosures of this range are delivered without door.

Technical data

- IP30 and IK07 without door
- IP40 and IK07 with door
- class II ■ with back plate
- nominal current (In): 90A Ph+N and 63A 3Ph+N

- rated voltage (Ue): 230/400V AC - 50Hz
- short circuit current resistance: 10kA
- DIN rail mounting
- colour: RAL 9010
- made in insulating plastic material
- 103mm depth

Glow wire test

IEC 60 695-2-10 and IEC 60 695-2-11:

- 850°C for box
- 750°C for back plate

Complies with

IEC 61439-3



GD213A

gamma 13 surface mounting

Description	quickconnect terminal	Wall niche H x W x D (mm)	Blanking strips	Cat.ref.
1 row, 13 ■	E: 3 x 25 + 11 x 4 mm ²	250 x 250 x 103	6 ■ divisible	GD113A
2 rows, 26 ■	Ph: 4 x 16 mm ² N: 4 x 16 mm ² E: 5 x 25 + 17 x 4 mm ²	375 x 250 x 103	6 ■ divisible	GD213A
3 rows, 39 ■	Ph: 7 x 10 mm ² N: 7 x 10 mm ² E: 7 x 25 + 25 x 4 mm ²	500 x 250 x 103	13 ■ divisible	GD313A
4 rows, 52 ■	Ph: 7 x 10 mm ² N: 7 x 10 mm ² E: 10 x 25 + 34 x 4 mm ²	625 x 250 x 103	13 ■ divisible	GD413A



GP213P-GP213T

Doors

Description	Depth (mm)	Cat.ref.	
		plain door	transparent door
for GD113A	30	GP113P	GP113T
for GD213A	30	GP213P	GP213T
for GD313A	30	GP313P	GP313T
for GD413A	30	GP413P	GP413T



GS113D

Back plates

- to ensure the insulation class II

Description	Cat.ref.
for GD113A	GS113D
for GD213A	GS213D
for GD313A	GS313D
for GD413A	GS413D



P032F P031F

Accessories

Description	Cat.ref.
keylock for plain and transparent doors	GZ35A
sealing kit for 2 points of sealing	GZ32A
blanking clips 1/2 ■	P031F
blanking clips 1 ■	P032F
blanking strips 6 ■, RAL 9010	JP001
blanking strips 13 ■, RAL 9010	JP014
quickconnect terminal support	GZ30A

Characteristics

The gamma surface mounting enclosure range is mainly dedicated to residential applications. The range includes boxes with capacities of 1 row up to 4 rows and from 18 to 72 ■ and completed with transparent or plain doors.

Delivered with

Neutral and earth terminal, marking labels and blanking clips.

Note: the enclosures of this range are delivered without door.

Technical data

- IP30 and IK07 without door
- IP40 and IK07 with door
- class II □ with back plate
- nominal current (In): 90A Ph+N and 63A 3Ph+N

- rated voltage (Ue): 240/415V AC - 50Hz
- short circuit current resistance: 10kA
- DIN rail mounting
- colour: RAL 9010
- made in insulating plastic material
- 103mm depth

Glow wire test

- IEC 60 695-2-10 and IEC 60 695-2-11:
- 850° C for box
- 750°C for back plate

Complies with

IEC 61439-3

gamma 18 surface mounting

Description	quickconnect terminal	Wall niche H x W x D (mm)	Blanking strips	Cat.ref.
1 row, 18 ■	E: 4 x 25 + 14 x 4 mm ²	250 x 355 x 103	6 ■ divisible	GD118A
2 rows, 36 ■	Ph: 4 x 16 mm ² N: 4 x 16 mm ² E: 6 x 25 + 20 x 4 mm ²	375 x 355 x 103	12 ■ divisible	GD218A
3 rows, 54 ■	Ph: 7 x 16 mm ² N: 7 x 16 mm ² E: 8 x 25 + 28 x 4 mm ²	500 x 355 x 103	18 ■ divisible	GD318A
4 rows, 72 ■	Ph: 7 x 16 mm ² N: 7 x 16 mm ² E: 10 x 25 + 34 x 4 mm ²	625 x 355 x 103	24 ■ divisible	GD418A



GD118A

Doors

Description	Depth (mm)	Cat.ref. plain door	transparent door
for GD118A	30	GP118P	GP118T
for GD218A	30	GP218P	GP218T
for GD318A	30	GP318P	GP318T
for GD418A	30	GP418P	GP418T

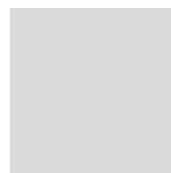


GP118P-GP118T

Back plates

- to ensure the insulation class II

Description	Cat.ref.
for GD118A	GS118D
for GD218A	GS218D
for GD318A	GS318D
for GD418A	GS418D



GS218D

Accessories

Description	Cat.ref.
keylock for plain and transparent doors	GZ35A
sealing kit for 2 points of sealing	GZ32A
blanking clips 1/2 ■	P031F
blanking clips 1 ■	P032F
blanking strips 6 ■, RAL 9010	JP001
blanking strips 18 ■, RAL 9010	JP015
quickconnect terminal support	GZ40A



P032F P031F

Characteristics

Indoor surface mounted distribution box 1 and 2 rows, from 1 to 4 ■ without door, and from 6 up to 24 ■ with opaque or transparent door for devices up to 70 mm installation depth, DIN profile for modular devices 47 mm under the cover. Distance between the DIN profiles axis 125 mm (for the two row size).

Optional lock with keys. Enclosure can be installed either way up. Cable entries for cable, conduit and trunking.

Delivered with

- brass screw-type terminals
- pole fillers
- directly fixed DIN rails to the wall box let to have room enough for wiring behind them.
- door protected by a plastic film

Technical data:

- IP rating: IP30 without door and IP40 with door IK07

- class II
- white colour RAL 9010
- rated current: 63 A
- rated insulation: 400V AC/50 Hz
- material: plastic enclosure
- short circuit resistance: 10kA
- class II
- Din rail mounting

Glow wire test

650°C according IEC 60 695-2-1

Complies with

IEC 61439-3



VD101NF

cosmos surface mounting without door

Description	H x W x D (mm)	Cat.ref. without door
1 row, 1 ■	163.6 x 27.5 x 71	VD101NF
1 row, 2 ■	163.6 x 45.5 x 71	VD102NF
1 row, 3 ■	163.6 x 63.5 x 71	VD103NF
1 row, 4 ■	163.6 x 81.5 x 71	VD104NF



VD108PF

cosmos surface mounting with door

Description	Brass terminal	H x W x D (mm)	Cat.ref.	
			plain door	transparent door
1 row, 6 ■	N: 2 x 16 mm ² + 2 x 10 mm ²	163.6 x 134.5 x 71	VD106PF	VD106TF
1 row, 6 ■	E: 2 x 16 mm ² + 2 x 10 mm ² N: 2 x 16 mm ² + 2 x 10 mm ²	163.6 x 134.5 x 71	VD106PJ	VD106TJ
1 row, 8 ■	N: 2 x 16 mm ² + 2 x 10 mm ²	170 x 170.5 x 91	VD108PF	VD108TF
1 row, 8 ■	E: 2 x 16 mm ² + 2 x 10 mm ² N: 2 x 16 mm ² + 2 x 10 mm ²	170 x 170.5 x 91	VD108PJ	VD108TJ
1 row, 10 ■	N: 2 x 16 mm ² + 2 x 10 mm ²	170 x 206.5 x 91	VD110PF	VD110TF
1 row, 10 ■	E: 2 x 16 mm ² + 2 x 10 mm ² N: 2 x 16 mm ² + 2 x 10 mm ²	170 x 206.5 x 91	VD110PJ	VD110TJ
1 row, 12 ■	N: 3 x 16 mm ² + 4 x 10 mm ²	200 x 292.5 x 91	VD112PF	VD112TF
1 row, 12 ■	E: 3 x 16 mm ² + 4 x 10 mm ² N: 2 x 16 mm ² + 2 x 10 mm ²	200 x 292.5 x 91	VD112PJ	VD112TJ
1 row, 18 ■	N: 3 x 16 mm ² + 4 x 10 mm ²	200 x 400 x 91	VD118PF	VD118TF
1 row, 18 ■	E: 4 x 16 mm ² + 5 x 10 mm ² N: 3 x 16 mm ² + 4 x 10 mm ²	200 x 400 x 91	VD118PJ	VD118TJ
1 row, 24 ■	N: 3 x 16 mm ² + 4 x 10 mm ²	326.5 x 294 x 92.5	VD212PF	VD212TF
1 row, 24 ■	E: 4 x 16 mm ² + 6 x 10 mm ² N: 3 x 16 mm ² + 4 x 10 mm ²	326.5 x 294 x 92.5	VD212PJ	VD212TJ


Characteristics

Flush mounted distribution boxes of 1 and 2 rows, from 8 to 24 **I**, supplied with opaque or transparent door for devices up to 70 mm installation depth. DIN profile for modular devices 47 mm under the cover. Distance between the DIN rails axis 125 mm. (for the two row size). Distribution boards manufactured from plastic material. Opaque and transparent doors. Door is fitted on vertical in 1 row versions and on right or left (for the two row version) both without dismantling the cover; optional lock and keys. Wall box and cover can be installed either way up. Removable cable entry slider. Cable entries for cable and conduit.

Delivered with

- brass screw-type terminals
- pole fillers
- door protected by a plastic film.
- DIN rails directly fixed to the wall box.

Technical data

- IP rating: IP30 without door and IP40 with door IK07
- isolation Class II
- white colour RAL 9010
- rated current: up to 63 A
- rated insulation: 400V AC/50 Hz
- material: plastic enclosure
- short circuit resistance: 10kA
- class II 
- DIN rail mounting

Accessories

DIN rail brackets for plaster compensation (in depth) in case the box is installed too deep inside the wall (maybe covered by plaster).

Glow wire test

650°C according IEC 60 695-2

Complies with

IEC 61439-3

cosmos flush mounting with door

Description	Brass terminal	Dimensions H x W x D (mm)	Cat.ref.	
			plain door	transparent door
1 row, 8 I	N: 2 x 16 mm ² + 2 x 10 mm ²	206 x 236 x 91	VR108PF	VR108TF
1 row, 8 I	E: 2 x 16 mm ² + 2 x 10 mm ² N: 2 x 16 mm ² + 2 x 10 mm ²	206 x 236 x 91	VR108PJ	VR108TJ
1 row, 12 I	N: 3 x 16 mm ² + 4 x 10 mm ²	226 x 308 x 91	VR112PF	VR112TF
1 row, 12 I	E: 3 x 16 mm ² + 4 x 10 mm ² N: 2 x 16 mm ² + 2 x 10 mm ²	226 x 308 x 91	VR112PJ	VR112TJ
1 row, 18 I	N: 3 x 16 mm ² + 4 x 10 mm ²	226 x 416 x 91	VR118PF	VR118TF
1 row, 18 I	E: 4 x 16 mm ² + 5 x 10 mm ² N: 3 x 16 mm ² + 4 x 10 mm ²	226 x 416 x 91	VR118PJ	VR118TJ
1 row, 24 I	N: 3 x 16 mm ² + 4 x 10 mm ²	351 x 308 x 93	VR212PF	VR212TF
1 row, 24 I	E: 4 x 16 mm ² + 6 x 10 mm ² N: 3 x 16 mm ² + 4 x 10 mm ²	351 x 308 x 93	VR212PJ	VR212TJ



VR108P.



VR212P.

The cosmos range includes a lot of accessories, from brackets for possible plaster compensation to hollow wall anchor fixations, every single feature is conceived to save time and increase simplicity of mounting. It is also possible to find spare parts and additional accessories to the range, such as keys, locks and doors.



VZ924N



VZ923N

Doors

- opaque: made of plastic material, RAL 9010
- transparent: polycarbonate

Description	Cat.ref.	
	opaque door	transparent door
for VD106	VZ910N	VZ909N
for VD108	VZ912N	VZ911N
for VR108	VZ914N	VZ913N
for VD110	VZ916N	VZ915N
for VR/VD112	VZ918N	VZ917N
for VR/VD118	VZ920N	VZ919N
for VD212	VZ922N	VZ921N
for VR212	VZ924N	VZ923N



VZ926N

Lock

- supplied with 2 keys

Description	Cat.ref.
lock	VZ926N



VZ927N

Hollow wall lever set

- made of plastic material, RAL 9010

Description	Pack qty.	Cat.ref.
hollow wall lever set	4	VZ927N



VZ925N

DIN rail chassis

- including screws

Description	Pack qty.	Cat.ref.
DIN rail chassis	2	VZ925N

Screw set

- including:
 - 8 x cover fixation screws
 - 4 x DIN rail fixation screws

Description	Cat.ref.
screw set for VD/VR enclosures	VZ932N



VZ933N

Caps

- set of 5 pieces to close wall mounting holes on surface enclosures

Description	Pack qty.	Cat.ref.
caps for VD enclosures	1 set	VZ933N


Characteristics

The golf flush enclosure dedicated for housing is particularly suitable thanks to its ease of mounting on walls. The small enclosure is easily and swiftly mounted and offers space for a large number of modular devices. The range includes boxes with capacities of 1 row up to 4 rows and from 4 to 72 ■ and completed with transparent or plain doors.

Delivered with

- earth brass screw type terminal and neutral depending on the reference
- marking stickers
- transparent or plain door depending on the reference

Technical data

- IP30 and IK07 without door
- IP40 and IK07 with door
- class II 
- nominal current (In): up to 63A
- rated voltage (Ue): 230/400V AC 50Hz
- short circuit current resistance: 10kA
- DIN rail mounting
- colour: RAL 9010
- made in plastic material free of PVC
- wall niche: 72 mm depth
- enclosure total depth: 98 mm

Glow wire test

IEC 60 695-2-10 and IEC 60 695-2-11: 650°C

Complies with

EN IEC 60439-1 / 60439-3 / 60529 / 60670-24

golf flush mounted

Description	Brass terminal	Dimensions H x W x D (mm)	Cat.ref.	
			plain door	transparent door
1 row, 4 ■	N: 2 x 16 mm ² + 2 x 10 mm ²	225 x 204 x 98	VF104PF	VF104TF
1 row, 4 ■	E: 2 x 16 mm ² + 2 x 10 mm ² N: 2 x 16 mm ² + 2 x 10 mm ²	225 x 204 x 98	VF104PJ	VF104TJ
1 row, 8 ■	N: 3 x 16 mm ² + 4 x 10 mm ²	225 x 275 x 98	VF108PF	VF108TF
1 row, 8 ■	E: 2 x 16 mm ² + 2 x 10 mm ² N: 2 x 16 mm ² + 2 x 10 mm ²	225 x 275 x 98	VF108PJ	VF108TJ
1 row, 12 ■	N: 3 x 16 mm ² + 4 x 10 mm ²	293 x 352 x 98	VF112PF	VF112TF
1 row, 12 ■	E: 3 x 16 mm ² + 4 x 10 mm ² N: 2 x 16 mm ² + 2 x 10 mm ²	293 x 352 x 98	VF112PJ	VF112TJ
2 rows, 24 ■	N: 3 x 16 mm ² + 4 x 10 mm ²	418 x 352 x 98	VF212PF	VF212TF
2 rows, 24 ■	E: 4 x 16 mm ² + 6 x 10 mm ² N: 3 x 16 mm ² + 3 x 10 mm ²	418 x 352 x 98	VF212PJ	VF212TJ
3 rows 36 ■	N: 3 x 16 mm ² + 4 x 10 mm ²	543 x 352 x 98	VF312PF	VF312TF
3 rows 36 ■	E: 5 x 16 mm ² + 6 x 10 mm ² N: 3 x 16 mm ² + 4 x 10 mm ²	543 x 352 x 98	VF312PJ	VF312TJ
4 rows 48 ■	N: 3 x 16 mm ² + 4 x 10 mm ²	688 x 352 x 98	VF412PF	VF412TF
4 rows 48 ■	E: 6 x 16 mm ² + 8 x 10 mm ² N: 3 x 16 mm ² + 4 x 10 mm ²	688 x 352 x 98	VF412PJ	VF412TJ
1 row, 18 ■	E: 3 x 16 mm ² + 4 x 10 mm ²	293 x 460 x 98	VF118PF	VF118TF
1 row, 18 ■	E: 1 x 25 mm ² + 4 x 16 mm ² + 5 x 10 mm ² N: 3 x 16 mm ² + 3 x 10 mm ²	293 x 460 x 98	VF118PJ	VF118TJ
2 rows 36 ■	E: 3 x 16 mm ² + 4 x 10 mm ²	418 x 460 x 98	VF218PF	VF218TF
2 rows 36 ■	E: 1 x 25 mm ² + 6 x 16 mm ² + 7 x 10 mm ² N: 3 x 16 mm ² + 4 x 10 mm ²	418 x 460 x 98	VF218PJ	VF218TJ
3 rows 54 ■	E: 3 x 16 mm ² + 4 x 10 mm ²	543 x 460 x 98	VF318PF	VF318TF
3 rows 54 ■	E: 1 x 25 mm ² + 7 x 16 mm ² + 8 x 10 mm ² N: 3 x 16 mm ² + 4 x 10 mm ²	543 x 460 x 98	VF318PJ	VF318TJ
4 rows 72 ■	E: 3 x 16 mm ² + 4 x 10 mm ²	688 x 460 x 98	VF418PF	VF418TF
4 rows 72 ■	E: 1 x 25 mm ² + 8 x 16 mm ² + 9 x 10 mm ² N: 3 x 16 mm ² + 4 x 10 mm ²	688 x 460 x 98	VF418PJ	VF418TJ
1 row, 22 ■	E: 3 x 16 mm ² + 4 x 10 mm ²	293 x 532 x 98	VF122PF	VF122TF
1 row, 22 ■	E: 4 x 16 mm ² + 6 x 10 mm ² N: 3 x 16 mm ² + 3 x 10 mm ²	293 x 532 x 98	VF122PJ	VF122TJ




VF104



VF418

Characteristics


The golf surface mounting enclosure range is mainly dedicated to residential applications.

The range includes boxes with capacities of 1 row up to 4 rows and from 4 to 72  and completed with transparent or plain doors.

Delivered with

- screw type earth and neutral brass terminal, depending on the reference
- marking stickers
- transparent or plain door depending on the reference

Technical data

- IP30 and IK07 without door
- IP40 and IK07 with door
- class II 
- nominal current (In) : up to 63A
- rated voltage (Ue): 230/400V AC - 50Hz
- short circuit current resistance: 10kA
- DIN rail mounting
- colour: RAL 9010
- made in plastic material free of PVC
- enclosure total depth: 99mm

Glow wire test

IEC 60 695-2-10 and IEC 60 695-2-11: 650°C

Complies with

EN 60439-1 / 60439-3 / 60529 / 60670-24

golf surface mounted



VS108



VS212



VS318

Description	Brass terminal	Dimensions H x W x D (mm)	Cat.ref.	
			plain door	transparent door
1 row, 4 	N: 2 x 16 mm ² + 2 x 10 mm ²	184 x 138 x 99	VS104PF	VS104TF
1 row, 4 	E: 2 x 16 mm ² + 2 x 10 mm ² N: 2 x 16 mm ² + 2 x 10 mm ²	184 x 138 x 99	VS104PJ	VS104TJ
1 row, 8 	N: 3 x 16 mm ² + 4 x 10 mm ²	184 x 210 x 99	VS108PF	VS108TF
1 row, 8 	E: 2 x 16 mm ² + 2 x 10 mm ² N: 2 x 16 mm ² + 2 x 10 mm ²	184 x 210 x 99	VS108PJ	VS108TJ
1 row, 12 	N: 3 x 16 mm ² + 4 x 10 mm ²	252 x 282 x 99	VS112PF	VS112TF
1 row, 12 	E: 3 x 16 mm ² + 4 x 10 mm ² N: 2 x 16 mm ² + 2 x 10 mm ²	252 x 282 x 99	VS112PJ	VS112TJ
2 rows, 24 	N: 3 x 16 mm ² + 4 x 10 mm ²	377 x 282 x 99	VS212PF	VS212TF
2 rows, 24 	E: 4 x 16 mm ² + 6 x 10 mm ² N: 3 x 16 mm ² + 3 x 10 mm ²	377 x 282 x 99	VS212PJ	VS212TJ
3 rows 36 	N: 3 x 16 mm ² + 4 x 10 mm ²	500 x 282 x 99	VS312PF	VS312TF
3 rows 36 	E: 5 x 16 mm ² + 6 x 10 mm ² N: 3 x 16 mm ² + 4 x 10 mm ²	500 x 282 x 99	VS312PJ	VS312TJ
4 rows 48 	N: 3 x 16 mm ² + 4 x 10 mm ²	647 x 282 x 99	VS412PF	VS412TF
4 rows 48 	E: 6 x 16 mm ² + 8 x 10 mm ² N: 3 x 16 mm ² + 4 x 10 mm ²	647 x 282 x 99	VS412PJ	VS412TJ
1 row, 18 	E: 3 x 16 mm ² + 4 x 10 mm ²	252 x 390 x 99	VS118PF	VS118TF
1 row, 18 	E: 1 x 25 mm ² + 4 x 16 mm ² + 5 x 10 mm ² N: 3 x 16 mm ² + 3 x 10 mm ²	252 x 390 x 99	VS118PJ	VS118TJ
2 rows 36 	E: 3 x 16 mm ² + 4 x 10 mm ²	377 x 390 x 99	VS218PF	VS218TF
2 rows 36 	E: 1 x 25 mm ² + 6 x 16 mm ² + 7 x 10 mm ² N: 3 x 16 mm ² + 4 x 10 mm ²	377 x 390 x 99	VS218PJ	VS218TJ
3 rows 54 	E: 3 x 16 mm ² + 4 x 10 mm ²	500 x 390 x 99	VS318PF	VS318TF
3 rows 54 	E: 1 x 25 mm ² + 7 x 16 mm ² + 8 x 10 mm ² N: 3 x 16 mm ² + 4 x 10 mm ²	500 x 390 x 99	VS318PJ	VS318TJ
4 rows 72 	E: 3 x 16 mm ² + 4 x 10 mm ²	647 x 390 x 99	VS418PF	VS418TF
4 rows 72 	E: 1 x 25 mm ² + 8 x 16 mm ² + 9 x 10 mm ² N: 3 x 16 mm ² + 4 x 10 mm ²	647 x 390 x 99	VS418PJ	VS418TJ
1 row, 22 	E: 3 x 16 mm ² + 4 x 10 mm ²	252 x 462 x 99	VS122PF	VS122TF
1 row, 22 	E: 4 x 16 mm ² + 6 x 10 mm ² N: 3 x 16 mm ² + 3 x 10 mm ²	252 x 462 x 99	VS122PJ	VS122TJ

Doors

Description	Cat.ref.	
	plain door	transparent door
for VF/VS104	VZ601N	VZ621N
for VF/VS108	VZ602N	VZ622N
for VF/VS112	VZ603N	VZ623N
for VF/VS212	VZ604N	VZ624N
for VF/VS312	VZ605N	VZ625N
for VF/VS412	VZ606N	VZ626N
for VF/VS118	VZ607N	VZ627N
for VF/VS218	VZ608N	VZ628N
for VF/VS318	VZ609N	VZ629N
for VF/VS418	VZ610N	VZ630N



Lock

- supplied with 2 keys

Description	Cat.ref.
lock	VZ794N



Cable guides

Description	Pack qty	Cat.ref.
for VS and VF enclosures	10	VZ699N



Class II caps and horizontal assembly kit

Description	Pack qty	Cat.ref.
for VS enclosures	4	VZ789N



Brick wall fixation brackets

Description	Pack qty	Cat.ref.
brick wall fixation brackets	4	VZ786N



Labelling

Description	Pack qty	Cat.ref.
transparent label holder for VF/VS enclosures, 450 mm	5	VZ787N
labelling sticker	10	VZ788N



quickconnect terminal support

Description	Cat.ref.
4 ■ for VF/VS series	VZ705N
8 ■ for VF/VS series	VZ706N
12 ■ for VF/VS series	VZ707N
18 ■ for VF/VS series	VZ708N

Characteristics

The gala surface mounting enclosure range manufactured with insulated material includes boxes of 1 row up to 4 rows and from 4 to 48 ■ of box and completed with transparent or plain doors.

Delivered with

- quickconnect earth terminal block
- full metallic door
- blanking clip
- marking strip

Technical data

- IP30 and IK07
- class II
- nominal current (In): 63A 3Ph+N
- rated voltage (Ue): 230/400V AC - 50Hz
- DIN rail mounting
- colour: RAL 9010
- made in plastic material free from PVC
- 97mm depth

Glow wire test

IEC 60 695-2-10 and IEC 60 695-2-11: 750°C

Complies with

IEC 61439-3



VA24D

gala surface mounted

Description	quickconnect earth terminal	Dimensions H x W x D (mm)	Cat.ref.
1 row, 12 ■	E: 3 x 25 mm ² + 11 x 4 mm ²	245 x 305 x 97	VA12D
2 rows, 24 ■	E: 5 x 25 mm ² + 17 x 4 mm ²	370 x 305 x 97	VA24D
3 rows 36 ■	E: 6 x 25 mm ² + 20 x 4 mm ²	515 x 305 x 97	VA36D
4 rows 48 ■	E: 8 x 25 mm ² + 28 x 4 mm ²	640 x 305 x 97	VA48D



VZ302N

Keylock

Description	Cat.ref.
keylock standard	VZ302N



VZ403

Connection assembly 63A



VZ428

Description	Cat.ref.
1 phase + neutral 2 x (3 x 16 + 4 x 10 mm ²)	VZ403
3 phases + neutral 3 x (3 x 16 + 2 x 10 mm ²) + 1 x (5 x 16 + 6 x 10 mm ²)	VZ428

Blanking clips

Description	Cat.ref.
blanking clips 12 ■	P012

Marking strip

Description	Cat.ref.
marking strip	VZ604

Boxes with opaque or transparent door, 1–4 lines, 18 to 72 ■. Insulating box, colour RAL 9010, for power distribution in residential or small business environments. The chassis can be removed in one piece, while the DIN rails can be removed one by one, using the clips. The DIN rails can be lowered to accommodate devices with higher shouldering.

The box offers plenty of cabling space:
 - between the DIN rail and the base of the box: 47.5 mm
 - between the lowered DIN rail and the base of the box: 18 mm
 - lateral cabling space between the wall and the DIN rail: 30 mm
 - interspace between DIN rails: 150 mm
 The cable entry plates have clips, which can also be screwed into place.

Delivered with
 “Easy Wall Fixation” system with caps to comply with Class II, diagram holder, shutters, label holders with marking labels and quickconnect earth modules.

- Options**
- 1242E or 405 lock
 - IP41 kit
 - horizontal or vertical junction or coupling kits
 - cable ducts
 - plate for flexible cable entry

- Technical specifications**
- IP40 (with door) / IK07
 - Insulation class: II
 - 90 A for 1 and 2 row boxes
 - 125 A for 3 and 4 row boxes
 - Glow wire test: 650°C

Complies with
 CEBEC & NF marking
 EN IEC 60670-24 and EN IEC 61439-3

vega surface mounted

Description	quickconnect earth terminal	Dimensions H x W x D (mm)	Cat.ref.	
			plain door	transparent door
1 row, 18 ■	E: 4 x 25 mm ² + 14 x 4 mm ²	325 x 400 x 146	VB118B	VB118R
2 rows, 36 ■	E: 6 x 25 mm ² + 22 x 4 mm ²	475 x 400 x 146	VB218B	VB218R
3 rows 54 ■	E: 10 x 25 mm ² + 34 x 4 mm ²	625 x 400 x 146	VB318B	VB318R
4 rows 72 ■	E: 12 x 25 mm ² + 42 x 4 mm ²	775 x 400 x 146	VB418B	VB418R



VB118B



VB318R

Plain doors

Description	Cat.ref.
for VB118B	VZ118P
for VB218B	VZ218P
for VB318B	VZ318P
for VB418B	VZ418P



VZ318P

Transparent doors

Description	Cat.ref.
for VB118R	VZ118T
for VB218R	VZ218T
for VB318R	VZ318T
for VB418R	VZ418T



VZ318T

Hinges for plain or transparent doors

Description	Cat.ref.
set of 2 hinges	VZ004VB



VZ004VB

Lock

- supplied with 2 keys

Description	Cat.ref.
lock 1242E for plain door	VZ310PVB
lock 405 for plain door	VZ311PVB
lock 1242E for transparent door	VZ310TVB
lock 405 for transparent door	VZ311TVB



VZ310PVB



VZ310TVB



VZ003VB

Cable entry plates

Description	Cat. ref.
with rectangular markings for ducts and wires	VZ001VB
flexible cable entry	VZ003VB



VZ708N

Terminal support

- receives the **quickconnect** modules KN...E, KN...N, KN...P

Description	Cat. ref.
terminal support	VZ708N



VZ699N

Cable guides

- for lateral guiding of cables in the box

Description	Pack qty	Cat. ref.
cable guides	10	VZ699N



VZ010VB

Symmetrical DIN rail

Description	Cat. ref.
symmetrical DIN rail	VZ010VB



VZ011VB

Label holders

Description	Pack qty	Cat. ref.
label holders and marking labels 18 ■	4	VZ011B



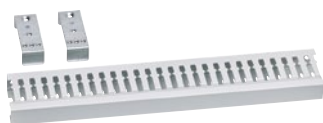
VZ005VB



VZ006VB

Alignment kit

Description	Cat. ref.
horizontal	VZ005VB
vertical	VZ006VB



VZ012VB

Cabling trunking

- halogen free
- with fitting accessories

Description	Dimensions W x D (mm)	Cat. ref.
horizontal	25 x 60	VZ014VB
vertical for VB318B/R	25 x 60	VZ012VB
vertical for VB418B/R	25 x 60	VZ013VB



VZ041VB

Kit IP41

- to upgrade vega enclosures from IP40 to IP41

Description	Cat. ref.
kit IP41	VZ041VB

"Easy wall fixation" mounting kit

- 4 rotating attachments
- 5 shutters to comply with Class II insulation



Description

"Easy Wall Fixation" mounting kit

Cat. ref.

VZ009VB

VZ009VB

Diagram holder

- holds plans and diagrams in the door of the box



Description

diagram holder

Cat.ref.

VZ535

VZ535

Pole fillers

- to secure locations with no device



Description

1/2 ■ width

1 ■ width

18 ■ width

Cat. ref.

P031F

P032F

JP015

JP015

Characteristics

volta flush distribution enclosure range includes enclosures from 1 row up to 5 rows and from 12 to 60 ■ and can be completed with transparent or plain doors.

Delivered with

- neutral and earth brass terminal
- reversible full metallic door or transparent door with handle
- blanking clip
- marking strip

Technical data

- IP30 and IK07
- class II
- nominal current (In): for devices up to 63A
- rated voltage (Ue): 230/400V AC - 50Hz
- DIN rail mounting
- colour: RAL 9010
- integrated spirit level
- installed product: 94.5 mm depth

Glow wire test

IEC 60 695-2-10 and IEC 60 695-2-11: 650°C

Complies with

IEC 61439-3



VU12NE



VU24NE

volta flush mounted

Description	Brass terminal	Dimensions H x W (mm)	Cat.ref.	
			plain door	transparent door
1 row, 12 ■	N: 1 x 25 mm ² + 5 x 16 mm ² + 7 x 10 mm ² E: 1 x 25 mm ² + 5 x 16 mm ² + 7 x 10 mm ²	356 x 348	VU12NE	VU12NT
2 rows, 24 ■	N: 1 x 25 mm ² + 7 x 16 mm ² + 9 x 10 mm ² E: 1 x 25 mm ² + 7 x 16 mm ² + 9 x 10 mm ²	505 x 348	VU24NE	VU24NT
3 rows, 36 ■	N: 1 x 25 mm ² + 9 x 16 mm ² + 12 x 10 mm ² E: 1 x 25 mm ² + 9 x 16 mm ² + 12 x 10 mm ²	630 x 348	VU36NE	VU36NT
4 rows, 48 ■	N: 1 x 25 mm ² + 11 x 16 mm ² + 13 x 10 mm ² E: 1 x 25 mm ² + 11 x 16 mm ² + 13 x 10 mm ²	755 x 348	VU48NE	VU48NT
5 rows, 60 ■	N: 1 x 25 mm ² + 11 x 16 mm ² + 13 x 10 mm ² + 3 x 16 mm ² + 4 x 10 mm ² E: 1 x 25 mm ² + 11 x 16 mm ² + 13 x 10 mm ² + 3 x 16 mm ² + 4 x 10 mm ²	880 x 348	VU60NE	VU60NT



VZ131N

Transparent door

- colour: RAL 9010
- installed product width: 288 mm
- installed product height: 296.5 mm

Description	Cat. ref.
for VU12NE/NT	VZ131N
for VU24NE/NT	VZ132N
for VU36NE/NT	VZ133N
for VU48NE/NT	VZ134N
for VU60NE/NT	VZ135N



VZ302N



VZ304N

Keylocks

Description	Pack qty	Cat. ref.
keylock standard	1	VZ302N
spare keys	2	VZ304N
lock bolts for front cover	2	VZ225N



VZ403



VZ428

Connection assemblies 63A

Description	Cat. ref.
phase and neutral 2x (3 x 16 + 2 x 10 mm ²)	VZ403
3 phase and neutral 3x (3 x 16 + 2 x 10 mm ²) + 1x (5 x 16 + 6 x 10 mm ²)	VZ428

Depth adaptators

- allows to convert standard versions into "flat" versions with 72mm installation depth

Description	Cat.ref.
for VU12NE, NT	VZ111N
for VU24NE, NT	VZ112N
for VU36NE, NT	VZ113N
for VU48NE, NT	VZ114N
for VU60NE, NT	VZ115N



VZ111N

Empty terminal support

Description	Cat.ref.
empty terminal support	VZ711



VZ711

Support frames

- for mirror and picture insert

Description	Cat.ref.
matt silver, for VU24ND	VZ807N
matt silver, for VU36ND	VZ808N



VZ808N

Mirrors

Description	Cat.ref.
for VU24ND	VZ811N
for VU36ND	VZ812N



VZ811N

Picture inserts

Description	Cat.ref.
for VU24ND	VZ813N
for VU36ND	VZ814N



VZ814N

Pinboard doors

- black expanded plastic plate with aluminium frame colour silver

Description	Cat.ref.
for VU24ND	VZ292N
for VU36ND	VZ293N



VZ293N

Blanking strips

Description	Cat.ref.
6 ■	JP001
12 ■	P012



JP001

Characteristics

Surface mounting enclosures with transparent doors for indoor or outdoor use:

- 1 to 4 rows from 2 to 48 ■
- 1 to 3 rows from 18 to 54 ■

Delivered with

Cable bushes and transparent door

Technical data

- IP55 and IK07 < 12 ■
- IK08 ≥ 12 ■
- class II □
- nominal current (In): 63A
- rated voltage (Ue): 230/400V AC - 50Hz
- colour: light grey RAL 7035

- adjustable DIN rail for shoulder measurement 47 and 63 mm,
- DIN rail mounting
- transparent hinged cover (2 to 10) or door (12 to 54),
- 2 lateral knock outs for cable entry or coupling pieces
- with premarked knock outs for bushes or cable glands M20, M25, M32, M40 and M50 depending on the size,
- 151mm depth for 12 and 18 ■ width enclosures,
- center distance between DIN rails:
 - 125mm for 12 ■ enclosures
 - 150mm for 18 ■ enclosures

Glow wire test

IEC 60 695-2-10 and IEC 60 695-2-11: 750°C

Complies with

IEC 61439-3



VE106F

vector IP55 surface mounted

Description	Brass terminal	Dimensions H x W x D (mm)	Cat. ref. 1 terminal
1 row, 2+1 ■	- E: 2x16 + 2x10 mm ² - supplied cable bushes: 3xM20	175 x 111 x 93	VE103F
1 row, 4+2 ■	- E: 3x16 + 4x10 mm ² - supplied cable bushes: 2xM20+2xM25+1xM32	190 x 165 x 113	VE106F
1 row, 8+2 ■	- E: 5x16 + 6x10 mm ² - supplied cable bushes: 4xM20+2xM25+1xM32	210 x 237 x 114	VE110F



VE312F

vector IP55 surface mounted

Description	quickconnect terminal	Dimensions H x W x D (mm)	Cat. ref.
1 row, 12 ■	- E: 3x25 + 5x16 + 7x10 mm ² - supplied cable bushes: 10xM20 + 2xM25 + 1xM32	302 x 310 x 151	VE112F
2 rows, 24 ■	- E: 5x25 + 7x16 + 9x10 mm ² - supplied cable bushes: 14xM20 + 4xM25 + 1xM32	427 x 310 x 151	VE212F
3 rows, 36 ■	- E: 6x25 + 10x16 + 11x10 mm ² - supplied cable bushes: 14xM20 + 10xM25 + 2xM32	552 x 310 x 151	VE312F
4 rows, 48 ■	- E: 8x25 + 11x16 + 13x10 mm ² - supplied cable bushes: 14xM20 + 10xM25 + 2xM32	677 x 310 x 151	VE412F
1 row, 18 ■	- E: 4x25 mm ² + 14x4 mm ² - supplied cable bushes: 8xM20 + 10xM25 + 1xM32	302 x 418 x 151	VE118F
2 rows, 36 ■	- E: 6x25 mm ² + 20x4 mm ² - supplied cable bushes: 8xM20 + 14xM25 + 1xM32	452 x 418 x 151	VE218F
3 rows, 54 ■	- E: 9x25 mm ² + 31x4 mm ² - supplied cable bushes: 8xM20 + 18xM25 + 2xM32	602 x 418 x 151	VE318F



VE218F

quickconnect terminals

- for 12 ■ or 18 ■ width boxes

Description	Cat. ref.
terminal support	VZ711
adapter for terminal support	VZ744

Connection assemblies 63A

Description	Characteristics	Cat. ref.
single phase + N	2x(3x16 + 4x10 mm ²)	VZ403
three phase + N	3x(3x16 + 2x10 mm ²) 1x(5x16 + 6x10 mm ²)	VZ428



VZ403



VZ428

Lock

- with 2 keys
- for enclosures from 2 to 54 ■

Description	Cat. ref.
lock	VZ311



VZ311

Coupling sleeves

- to juxtapose enclosures
- reduction of degree of protection to IP54
- fit on lateral PG21 knock outs of the enclosures
VE112, VE212, VE312, VE412, VE118, VE218 and VE318

Description	Pack qty	Cat. ref.
coupling sleeves	1 set of 10	VZ754



VZ754

Set of cable glands

- set includes: 14xM20 + 10xM25 + 2xM32
- reduction of degree of protection IP54

Description	Cat. ref.
set of cable glands	VZ758



VZ758

Finishing accessories trunking / box

- RAL 7035

Description	Cat. ref.
finishing accessory 12 ■	VZ747
finishing accessory 18 ■	VZ748



VZ747

Blanking strips

- RAL 7035

Description	Cat. ref.
blanking strip 6 ■	VZ413
blanking strip 12 ■	VZ415
blanking strip 18 ■	VZ416



VZ413

Characteristics

UV stabilized and IP65 surface mounting enclosures range suitable for outdoor and photovoltaic application. The range includes enclosures from 1 up to 4 rows from 2 to 54 ■.

Delivered with:

- transparent door

Technical data

- IP65 and IK07 < 12 ■
IK08 ≥ 12 ■
- class II □
- nominal current (In): 63A

- rated voltage (Ue): 230/400V AC - 50Hz
- material: made of polycarbonate
- colour: light grey RAL 7035
- with premarked knock outs for bushes or cable glands M20, M25, M32, M40 and M50
- DIN rail mounting
- 151mm depth for 12 and 18 ■

Glow wire test

IEC 60 695-2-10 IEC 60 695-2-11: 850°C

Complies with

IEC 61439-3



VE106SN



VE312SN

vector IP65 surface mounted

Description	Dimensions H x W x D (mm)	Cat.ref.	
		without knock-out	with knock-out
1 row, 3 ■	175 x 111 x 93	VE103SN	VE103PN
1 row, 6 ■	190 x 165 x 113	VE106SN	VE106PN
1 row 10 ■	210 x 237 x 114	VE110SN	VE110PN
1 row 12 ■	302 x 310 x 151	VE112SN	VE112PN
2 rows 24 ■	427 x 310 x 151	VE212SN	VE212PN
3 rows 36 ■	552 x 310 x 151	VE312SN	VE312PN
4 rows 48 ■	677 x 310 x 151	VE412SN	VE412PN
1 row 18 ■	302 x 418 x 151	VE118SN	VE118PN
2 rows 36 ■	452 x 418 x 151	VE218SN	VE218PN
3 rows 54 ■	602 x 418 x 151	VE318SN	VE318PN



VZ016M



VZ013V



VZ020D

Cable glands

- to be screwed in knock-outs

Description	Pack qty	Cat.ref.
cable glands Ø M16	20	VZ016M
cable glands Ø M20	20	VZ020M
cable glands Ø M25	20	VZ025M
cable glands Ø M32	20	VZ032M
cable glands Ø M40	10	VZ040M
ventilated cable glands Ø M20	1	VZ020D
ventilated cable glands Ø M25	1	VZ025D
ventilated cable glands Ø M32	1	VZ032D
cap for ventilated cable glands Ø M20/25	1	VZ013V
cap for ventilated cable glands Ø M25/32	1	VZ021V



VZ011

Wall fixing brackets

- can be mounted on the side, on the top, and bottom

Description	Pack qty	Cat.ref.
set of 4 wall fixing brackets	1	VZ011



VZ040

Mounting plates

Description	Pack qty	Cat.ref.
for VE106xx	1	VZ040
for VE110xx	1	VZ041

Connection assembly

- type: 3 Ph+N
- In: 63A
- Ph: 3 x (3x16mm² + 2x10mm²)
- N: 1 x (5x16mm² + 6x10mm²)



VZ428

Description	Cat.ref.
connection assembly	VZ428

Terminal supports equipped with earth and neutral brass terminals

Description	Pack qty	Cat.ref.
for boards 12 ■ and 18 ■ per row - N: 1 x (1x25mm ² + 5x16mm ² + 7x10mm ²) - E: 1 x (1x25mm ² + 5x16mm ² + 7x10mm ²)	1	VZ521
for boards 12 ■ and 18 ■ per row - N: 1 x (1x25mm ² + 7x16mm ² + 9x10mm ²) - E: 1 x (1x25mm ² + 7x16mm ² + 9x10mm ²)	10	VZ522
for boards 12 ■ and 18 ■ per row - N: 1 x (1x25mm ² + 9x16mm ² + 12x10mm ²) - E: 1 x (1x25mm ² + 9x16mm ² + 12x10mm ²)	10	VZ523
for boards 12 ■ and 18 ■ per row - N: 1 x (1x25mm ² + 11x16mm ² + 13x10mm ²) - E: 1 x (1x25mm ² + 11x16mm ² + 13x10mm ²)	1	VZ524
for VE103 - N: 1x (2x16mm ² + 2x10mm ²) - E: 1x (2x16mm ² + 2x10mm ²)	1	VZ722
for VE106 - N: 1x (3x16mm ² + 3x10mm ²) - E: 1x (3x16mm ² + 3x10mm ²)	1	VZ723
for VE110 - N: 1x (5x16mm ² + 5x10mm ²) - E: 1x (5x16mm ² + 5x10mm ²)	1	VZ724
for boards 12 ■ and 18 ■ per row - N or E: 1 x (1x25mm ² + 5x16mm ² + 7x10mm ²)	1	VZ725
for boards 12 ■ and 18 ■ per row - N or E: 1 x (1x25mm ² + 7x16mm ² + 9x10mm ²)	1	VZ726
for boards 12 ■ and 18 ■ per row - N or E: 1 x (1x25mm ² + 9x16mm ² + 12x10mm ²)	1	VZ727
for boards 12 ■ and 18 ■ per row - N or E: 1 x (1x25mm ² + 11x16mm ² + 13x10mm ²)	1	VZ728
for boards 12 ■ and 18 ■ per row - N or E: 1 x (1x25mm ² + 11x16mm ² + 13x10mm ²) + 1 x (1x25mm ² + 2x16mm ² + 3x10mm ²)	1	VZ729



VZ521



VZ722



VZ724

Terminal supports equipped with earth and neutral quickconnect terminals

Description	Pack qty	Cat.ref.
for VE boards - N: 1x (3x25mm ² + 11x4mm ²) - E: 1x (3x25mm ² + 11x4mm ²)	1	VZ461
for VE boards - N: 1x (3x25mm ² + 11x4mm ²) + (1x25mm ² + 5x4mm ²) - E: 1x (4x25mm ² + 14x4mm ²)	1	VZ462
for VE boards - N: 1x (4x25mm ² + 14x4mm ²) + (1x25mm ² + 5x4mm ²) - E: 1x (5x25mm ² + 17x4mm ²)	1	VZ463
for VE boards - N: 1x (3x25mm ² + 11x4mm ²) + (1x25mm ² + 5x4mm ²) - E: 1x (6x25mm ² + 20x4mm ²)	1	VZ464



VZ461

Empty terminal support

Description	Cat.ref.
empty terminal support	VZ711



Surface enclosures

Equipment units

Partially equipped	Empty	Nr of rows	Width in modules	For 3 or 4 poles x160 MCCBs with or without add-on block vert. mounting height: 2 rows	For 3 or 4 poles x160 MCCBs without add-on block horiz. mounting height:12 rows	DIN rail kit for modular devices height: 2 rows	Depth-adjustable perforated mounting plate kit height: 2 rows	DIN rail kit for terminal blocks + plain front cover height: 2 rows	
FD22AN	FD22GN	2	48	FD02K1	FD01K1	FD02A1	FD02C2	FD02A2	
FD32AN	FD32GN	3	72						
FD42AN	FD42GN	4	96						
FD52AN	FD52GN	5	120						
FD62AN	FD62GN	6	144						
FD72AN	FD72GN	7	168						



**Flush enclosures
high depth**

Equipment units

Partially equipped	Empty	Nr of rows	Width in modules	For 3 or 4 poles x160 MCCBs with or without add-on block vert. mounting height: 2 rows	For 3 or 4 poles x160 MCCBs without add-on block horiz. mounting height: 2 rows	DIN rail kit for modular devices height: 2 rows	Depth-adjustable perforated mounting plate kit height: 2 rows	DIN rail kit for terminal blocks + plain front cover height: 2 rows	
FU22AN	FU22GN	2	48	FD02K1	FD01K1	FD02A1	FD02C2	FD02A2	
FU32AN	FU32GN	3	72						
FU42AN	FU42GN	4	96						
FU52AN	FU52GN	5	120						
FU62AN	FU62GN	6	144						
FU72AN	FU72GN	7	168						

Doors		Association kit	Fixation plates	Cable entry plates			Back panel entry flange	Cable brackets
Plain	Transparent, glazed	Horizontal and vertical for surface enclosures	External for surface enclosures	Waterproof with 2 x flange VZ741	IP41 with tube openings	IP41, with rubber coating	Vertical cable duct sideways for surface enclosures	
FD22PN	FD22TN	FD00F1	FD00F2	FD00P2	FD00P3	VZ741	FD00B1	
FD32PN	FD32TN							
FD42PN	FD42TN							
FD52PN	FD52TN							
FD62PN	FD62TN							
FD72PN	FD72TN							

Doors			Mounting kit	Cable entry plates			Back panel entry flange	Cable brackets
Plain	Transparent	Mirror	For hollow wall for flush enclosures	IP41	IP41 with tube openings	IP41	Vertical cable duct sideways for flush enclosures	
FD22PN	FD22TN	FD22SN	VZ405N	FD00P2	FD00P3	VZ741	FD00B2	
FD32PN	FD32TN	FD32SN						
FD42PN	FD42TN	FD42SN						
FD52PN	FD52TN	FD52SN						
FD62PN	FD62TN	FD62SN						
FD72PN	FD72TN	FD72SN						

Characteristics

vega D flush mounting enclosures range is adapted to installations in residential and commercial premises up to 160A. The range offers fully or partially equipped enclosure with rows for modular devices or empty enclosures. The vega D range includes enclosures from 2 up to 7 rows from 48 to 168 ■ capacities.

Delivered with (not for GN version)

- quickconnect earth terminal block
- blanking clip
- marking strip
- pocket plan
- cable strain relief bar

Technical data

- IP30 and IK07 without door
- IP40 and IK08 with door (flush)
- IP41 and IK08 with door and FD00G1
- class II

- nominal current (In): 160A
- rated voltage (Ue): 230/400V AC
- 50Hz
- material: metallic enclosure
- colour: RAL 9010
- DIN rail mounting
- empty space for equipment unit for enclosure to be completed
- 110mm depth + 40mm external shoulder (for enclosure FUxxDN)
- 110mm depth + 72mm external shoulder (for enclosure FUxxAN and FUxxGN)

Glow wire test:

IEC 60 695-2-10 IEC 60 695-2-11: 850°C

Complies with:

IEC 61 439-3

Note: enclosures of this range are delivered without doors.



FU42DN

Full equipped flush enclosures

- without door, low depth (150mm)
- w. 550 x d. 150 mm
- frame height: 40 mm

Description	Height (mm)	quickconnect terminals	Cat. ref.
2 rows (48 ■)	537	1 x KN26E	FU22DN
3 rows (72 ■)	687	2 x KN22E+ 1 x KN99E	FU32DN
4 rows (96 ■)	837	1 x KN22E + 1 x KN26E + 1 x KN99E	FU42DN
5 rows (120 ■)	987	1 x KN22E + 1 x KN26E + 1 x KN99E	FU52DN
6 rows (144 ■)	1137	3 x KN26E+ 2 x KN99E	FU62DN
7 rows (168 ■)	1287	3 x KN26E+ 2 x KN99E	FU72DN



FU42AN

Partially equipped flush enclosures

- without door, high depth (182mm)
- w. 550 x d. 182 mm
- frame height: 72 mm

Description	Height (mm)	quickconnect terminals	Cat. ref.
2 rows height empty space for equipment unit	537	1 x KN26E	FU22AN
+ 1 row (24 ■)	687	2 x KN22E + 1 x KN99E	FU32AN
+ 2 rows (48 ■)	837	1 x KN22E + 1 x KN26E + 1 x KN99E	FU42AN
+ 3 rows (72 ■)	987	1 x KN22E + 1 x KN26E + 1 x KN99E	FU52AN
+ 4 rows (96 ■)	1137	3 x KN26E+ 2 x KN99E	FU62AN
+ 5 rows (120 ■)	1287	3 x KN26E+ 2 x KN99E	FU72AN



FU52GN

Empty flush enclosures

- to be completed
- without door and without terminal block, high depth (182mm)
- w. 550 x d. 182 mm
- frame height: 72 mm
- delivered with 2 vertical uprights and quickconnect terminal holder

Description	Height (mm)	Cat. ref.
2 rows height capacity	537	FU22GN
3 rows height capacity	687	FU32GN
4 rows height capacity	837	FU42GN
5 rows height capacity	987	FU52GN
6 rows height capacity	1137	FU62GN
7 rows height capacity	1287	FU72GN


Characteristics

vega D surface mounting enclosures range is adapted to installations in houses and commercial premises up to 160A. The range offers fully or partially equipped enclosure with rows for modular devices or empty enclosures. The vega D range includes enclosures from 2 up to 7 rows from 48 to 168 ■ capacities.

Delivered with (not for GN version)

- quickconnect earth terminal block
- blanking clip
- marking strip
- pocket plan
- cable strain relief bar

Technical data

- IP30 and IK07 without door
- IP41 and IK08 with door
- class II 

- nominal current (In): 160A
- rated voltage (Ue): 230/400V AC
- 50Hz
- material: metallic enclosure
- colour: RAL 9010
- DIN rail mounting
- empty space for equipment unit for enclosure to be completed for FDxxAN and FDxxGN versions
- 193mm depth

Glow wire test

IEC 60 695-2-10 IEC 60 695-2-11: 650°C

Complies with

IEC 61 439-3

Note: enclosures of this range are delivered without doors.

Full equipped surface enclosures

- without door
- w. 550 x d. 193 mm

Description	Height (mm)	quickconnect terminals	Cat. ref.
2 rows (48 ■)	450	1 x KN26E	FD22DN
3 rows (72 ■)	600	2 x KN22E+ 1 x KN99E	FD32DN
4 rows (96 ■)	750	1 x KN22E + 1 x KN26E + 1 x KN99E	FD42DN
5 rows (120 ■)	900	1 x KN22E + 1 x KN26E + 1 x KN99E	FD52DN
6 rows (144 ■)	1050	3 x KN26E+ 2 x KN99E	FD62DN
7 rows (168 ■)	1200	3 x KN26E+ 2 x KN99E	FD72DN



FD52DN

Partially equipped surface enclosures

- without door
- w. 550 x d. 193 mm

Description	Height (mm)	quickconnect terminals	Cat. ref.
2 rows height empty space for internal module	450	1 x KN26E	FD22AN
+ 1 row (24 ■)	600	2 x KN22E + 1 x KN99E	FD32AN
+ 2 rows (48 ■)	750	1 x KN22E + 1 x KN26E + 1 x KN99E	FD42AN
+ 3 rows (72 ■)	900	1 x KN22E + 1 x KN26E + 1 x KN99E	FD52AN
+ 4 rows (96 ■)	1050	3 x KN26E+ 2 x KN99E	FD62AN
+ 5 rows (120 ■)	1200	3 x KN26E+ 2 x KN99E	FD72AN



FD52AN

Empty surface enclosures

- to be completed
- without door and without terminal block
- w. 550 x d. 193 mm

- delivered with 2 vertical uprights and quickconnect terminal holder.

Description	Height (mm)	quickconnect holder	Cat. ref.
2 rows height capacity	450	1	FD22GN
3 row height capacity	600	1	FD32GN
4 rows height capacity	750	1	FD42GN
5 rows height capacity	900	1	FD52GN
6 rows height capacity	1050	2	FD62GN
7 rows height capacity	1200	2	FD72GN



FD52GN



FD52PN

Plain doors

- door opening angle 135°

Description	Height (mm)	Cat. ref.
for FD22GN, FD22DN, FU22GN, FU22DN, FD22AN, FU22AN	350	FD22PN
for FD32GN, FD32DN, FU32GN, FU32DN, FD32AN, FU32AN	500	FD32PN
for FD42GN, FD42DN, FU42GN, FU42DN, FD42AN, FU42AN	650	FD42PN
for FD52GN, FD52DN, FU52GN, FU52DN, FD52AN, FU52AN	800	FD52PN
for FD62GN, FD62DN, FU62GN, FU62DN, FD62AN, FU62AN	950	FD62PN
for FD62GN, FD62DN, FU62GN, FU62DN, FD62AN, FU62AN	1100	FD72PN



FD52TN

Transparent doors

- door opening angle 135°

Description	Height (mm)	Cat. ref.
for FD22GN, FD22DN, FU22GN, FU22DN, FD22AN, FU22AN	350	FD22TN
for FD32GN, FD32DN, FU32GN, FU32DN, FD32AN, FU32AN	500	FD32TN
for FD42GN, FD42DN, FU42GN, FU42DN, FD42AN, FU42AN	650	FD42TN
for FD52GN, FD52DN, FU52GN, FU52DN, FD52AN, FU52AN	800	FD52TN
for FD62GN, FD62DN, FU62GN, FU62DN, FD62AN, FU62AN	950	FD62TN
for FD62GN, FD62DN, FU62GN, FU62DN, FD62AN, FU62AN	1100	FD72TN



FD01A1

Equipment units

- not compatible with full equipped flush low depth version (FUxxDN type references)

Description	Height (mm)	Cat. ref.
1 row of 24 modules DIN rail kit for modular devices	150	FD01A1
adjustable 1 row of 20 modules capacity DIN rail kit for terminal blocks + plain front cover	150	FD01A2
for 3 or 4 poles x160 MCCBs and switch disconnected DIN rail kit, horizontal position	150	FD01K1
for 3 or 4 poles x160 MCCBs or switch disconnected + add-on block DIN rail kit, vertical position	300	FD02K1
2 rows of 24 modules DIN rail kit for modular devices	300	FD02A1
adjustable 2 rows of 20 modules capacity DIN rail kit for terminal blocks + plain front cover	300	FD02A2
2 rows high kit with 1 depth adjustable and 1 distribution DIN rails	300	FD02A3
depth-adjustable perforated mounting plate kit 370 x 290 x 1,2mm	300	FD02C2
160A change over switch kit for HIC402A, HIC404A, HIC406A, HIC408A, HIC410A, HIC412A, HIC416A	300	FD02V2
3 rows of 24 modules DIN rail kit for modular devices with 3 times 1-row single cover	450	FD03A1



FD02A1



FD01K1



FD02A2



FD00T1

Trunking

- only for surface low depth enclosure versions

Description	Cat. ref.
set of 4 internal cable trays 30 x 80mm, 439mm width for horizontal fast mounting between 2 rows, with cover	FD00T1
set of 4 halogen free internal cable tray 30 x 80mm, 439mm width for horizontal fast mounting between 2 rows with cover	FD00T2

Cover plates

Description	Height (mm)	Cat. ref.
2 rows slotted cover with 2 label holders and 24 modules width labelling strips	300	FD00C1
2 rows plain cover, flat surface, for self-milling or terminal blocks	300	FD00C2
2 rows slotted cover with 1 label holder and 24 modules width labelling strip	300	FD00C3
1 row slotted cover with 1 label holder and 24 modules width labelling strip	150	FD00C4
1 row plain cover	150	FD00C5



FD00C3

Mounting plates

Description	Height (mm)	Cat. ref.
perforated mounting plate for direct fixing on vertical uprights	225	FD00M1
plain mounting plate for direct fixing on vertical uprights	300	FD00M2
perforated mounting plate for direct fixing on vertical uprights	150	FD00M3
plain mounting plate for direct fixing on vertical uprights	150	FD00M4



FD00M1

Accessories

Description	Cat. ref.
base of DIN rail holder	FD00H1
Set of 2 mounting kit supports for 1 row of 150mm high + screws	FD00H2
set of 2 DIN rail holders for surface and high depth flush mounting enclosures + screws	FD00H1
set of 10 label holder and 24 modules width paper strip	FD00A1
set of 10 vertical cable brackets for surface mounting vega D	FD00B1
set of 10 cable brackets for flush mounting low depth vega D	FD00B2
24 modules width quickconnect terminals empty support	FD00Q1
24 modules width quickconnect and brass terminals empty support, compatible with KN00A universal support	FD00Q2
set of 20 wire guides for vertical or horizontal use, big section	UZ25V1
set of 20 wire guides for vertical or horizontal use, small section	UZ25V2
support for UZ25V1 and UZ25V2 wire guides	UZ01V1



FD00H1



FD00H2



FD00A1



FD00B1



FD00Q1



UZ25V2



FD00P1



FD00P2



FD00P3



FD00P4

Cable entry plates

- FP00P1, FD00P2 and FD00P3 are delivered with 2 fixation screws in order to fasten slider to the back panel mechanically

Description	Cat. ref.
slider with rectangular openings	FD00P1
slider with 2 premounted waterproof flanges, IP41	FD00P2
IP41 slider with tube openings to mount-in with 2 fixation screws, 4x12mm, 5x10/20mm, 4 x 12/16/25mm pre-openings	FD00P3
kit with a set of 2 side entry plates and gaskets M40, M32 and M25 pre-openings	FD00P4
IP41 back panel entry flange	VZ741
set of 2 ventilation grids	FD00P5



FD00E1

45x45mm adapter with cover for systo wiring accessories

- compatible with:
- WS100: 16A socket - quick connection
 - WS101: 16A socket - screw connection
 - WS160: 16A socket outlet
 - WS032: emergency push-button
 - WS033: 1/4 turn emergency push-button
 - WS035: key switch
 - WS264: HDMI socket
 - WS265: USB socket
 - WS219 x 2: white RJ45 UTP 8pts socket
 - WS601: green/red light indicator

Description	Cat. ref.
45x45mm adapter withcover for systo wiring accessories	FD00E1



FD00F1

Vertical and horizontal association kit

Description	Cat. ref.
set of 2 association bracket and 4 screws for surface version enclosure	FD00F1



FD00F2

External wall fixation plates

Description	Cat. ref.
set of 4 brackets delivered with 4 x M6 screws for surface version enclosure	FD00F2



FD00F3

Cable strain relief bar

- to mount below cable entry plates

Description	Cat. ref.
24 modules width, delivered with 4 fixing screws	FD00F3



UZ02B9

DIN rails (deep adjustable)

- 15 mm height

Description	Cat. ref.
set of 2 430mm DIN rails for 2 additional rows of 24 modules, delivered with 4 screws	UZ02B9

A4 pocket plan

Description

flexible, A4 format, self adhesive, to stick on the inside of the door

Cat. ref.

FZ794



FZ794

Blanking clips

Description

1/2 module

Pack qty.

50

Cat. ref.

P031F

1 module

50

P032F

Blanking strips

- color RAL 9010

Description

24 modules

Pack qty.

10

Cat. ref.

JP002

Locks

- replace the original latch

Description

standard closing system as spare part



Cat. ref.

FD00S0

FD00S1

key lock n° 1242E delivered with 2 keys



FD00S1

lock triangle 7mm (with square opening tool)



FD00S2

lock square 7mm (with triangle opening tool)



FD00S3

key lock n° 405 delivered with 2 keys



FD00S4

two-way key lock 3mm (with 2-way opening tool)



FD00S5



FD00S5

Horizontal partitioning plates

Description

for surface mounting enclosures

Cat. ref.

FD00A3

for high depth flush mounting enclosures (182 mm)

FD00A4

for low depth flush mounting enclosures (150 mm)

FD00A5



FD00A3



KJ02AN

Single pole distribution blocks

- FP00P1, FD00P2 and FD00P3 are delivered with 2 fixation screws in order to fasten slider to the back panel mechanically

Description	I _{pk} (kA)	I _{cw} (kA - 1s)	Connection capacity (mm ²)	Width in module	Cat. ref.
125A	25	4,2	flexible: 2 x 6 to 35 mm ² + 1 x 1.5 to 16 mm ² + 6 x 1.5 to 10 mm ² rigid: 2 x 10 to 35 mm ² + 2 x 2.5 to 16 mm ² + 8 x 1.5 to 16 mm ²	1.5	KJ02DN
160A	36	8.4	flexible: 2 x 16 to 50 mm ² + 3 x 1.5 to 16 mm ² + 8 x 1.5 to 10 mm ² rigid: 2 x 25 to 70 mm ² + 3 x 2.5 to 25 mm ² + 8 x 1.5 to 16 mm ²	2	KJ02CN
250A	60	14.4	flexible: 1 x 25 to 95 mm ² + 3 x 1.5 to 35 mm ² + 4 x 1.5 to 10 mm ² + 8 x 1.5 to 16 mm ² rigid: 2 x 35 to 120 mm ² + 1 x 1.5 to 50 mm ² + 4 x 1.5 to 16 mm ² + 8 x 2.5 to 25 mm ²	2.5	KJ02AN
400A	514	2	rigid: - incoming : 1 x 95 to 185 mm ² - outgoing : 2 x 6 to 35 mm ² + 5 x 1.5 to 16 mm ² + 4 x 1.5 to 10 mm ² flexible: - incoming : 1 x 95 to 150 mm ² - outgoing : 2 x 6 to 25 mm ² + 5 x 1.5 to 16 mm ² + 4 x 1.5 to 10 mm ²	2.5	KJ02B



KJ02E

Modular distribution monobloc

Description	I _{sc} peak (kA)	U _i (V)	Connection capacity (mm ²)	Width in module	Cat. ref.
100A, 4 poles	20	500	per phase: 1 x 25 mm ² + 2 x 10 mm ² + 5 x 6 mm ² neutral: 1 x 25 mm ² + 6 x 10 mm ² + 4 x 6 mm ²	6	KJ02E



KJ100A

**Stepped distribution blocks
Brass busbar terminals**

Description	I _{pk} (kA)	U _i (V)	Connection capacity per bar (mm ²)	Width in module	Cat. ref.
90A, 2 poles	29		2 x 25 mm ² + 10 x 16 mm ² flexible 2 x 35 mm ² + 10 x 16 mm ² rigid	7.5	KJ01A
100A, 4 poles 4x7 connection points	24	500	2 x 25 mm ² + 5 x 16 mm ² rigid wire 2 x 16 mm ² + 5 x 10 mm ² with ferrule	4.5	KJ100A
125A, 4 poles 4x15 connection points	28	500	1 x 35 mm ² + 3 x 35 mm ² + 11 x 16 mm ² rigid wire 1 x 35 mm ² + 3 x 25 mm ² + 11 x 10 mm ² with ferrule	10	KJ125B
160A, 4 poles 4x12 connection points	36	500	1 x 70 mm ² + 3 x 35 mm ² + 8 x 25 mm ² rigid wire 1 x 50 mm ² + 3 x 25 mm ² + 8 x 16 mm ² with ferrule	9.5	KJ160A



KJ160A

Characteristics

vega D surface mounting enclosures range is adapted to installations in houses and commercial premises up to 160A. The range offers enclosures to be completed according to the configuration with rows for modular devices. The vega D range includes enclosures from 2 up to 7 rows from 48 to 168 ■ capacities.

Delivered with

- quickconnect earth terminal block
- plain door
- wall fixing brackets

Technical data

- IP54 and IK07
- class II □
- nominal current (In): 160A
- rated voltage (Ue): 230/400V AC - 50Hz
- material: metallic enclosure
- colour: RAL 9010
- DIN rail mounting
- empty space for equipment unit for enclosure to be completed
- 185mm depth

Glow wire test

IEC 60 IEC 60 695-2-10,
IEC 60 695-2-11: 650°C

Complies with

EN60-439-3

Partially equipped surface mounting enclosures

- with an empty space for internal module
- with door
- w. 550 x d. 218 mm

Description	Height (mm)	quickconnect terminals	Cat. ref.
2 rows height empty space for internal module	500	5 x 25 + 17 x 4 mm ²	FV22A
+ 1 row (24 ■)	650	2 x (5 x 25 + 17 x 4 mm ²)	FV32A
+ 2 rows (48 ■)	800	(5 x 25 + 17 x 4 mm ²) + (6 x 25 + 20 x 4 mm ²)	FV42A
+ 3 rows (72 ■)	950	(5 x 25 + 17 x 4 mm ²) + (6 x 25 + 20 x 4 mm ²)	FV52A
+ 4 rows (96 ■)	1100	3 x (6 x 25 + 20 x 4 mm ²)	FV62A
+ 5 rows (120 ■)	1250	3 x (6 x 25 + 20 x 4 mm ²)	FV72A





UK22A2

Equipment units

Description	Cat. ref.
for 3 or 4 poles x160 MCCBs and switch disconnected DIN rail - vertical position	UK22A2
for 250A MCCBs setted at In = 160A	UK22B3
for DIN rail modular devices 2 row of 24 modules	UD22B3
with perforated plate w.415 x h.235 mm	UD22C2
for terminal blocks	UD22A5



FZ507



FZ503

Locks

- replace the original latch

Description		Cat. ref.
key lock n° 1242E delivered with 2 keys		FZ507
key lock n° 405 delivered with 2 keys		FZ526
key lock n° 455 delivered with 2 keys		FZ527
lock with male triangle of 7 mm chrome plated with 1 key		FZ502
lock with male square of 7 mm chrome plated with 1 key		FZ503
lock with double chrome plated bar of 3 mm with 1 key		FZ501



UZ25V2

Wire guides

Description	Pack qty	Cat. ref.
wire guides big section	20	UZ25V1
wire guides small section	20	UZ25V2
covers for wire guides, 2m length	20	UT50C



UZ52A1

Wire ducts

Description	Pack qty	Cat. ref.
horizontal wire ducts, 2 x (h. 85 x w. 31 x l. 500 mm)	1	UZ52A1
support frame for wire ducts	2	UZ50A1



P031F P032F

Blanking clips

Description	Pack qty.	Cat. ref.
1/2 module	50	P031F
1 module	50	P032F

Blanking strips

Description	Pack qty.	Cat. ref.
24 modules, RAL 9010	10	JP002



FZ794

A4 pocket plan

Description	Cat. ref.
flexible, A4 format, self adhesive, to stick on the inside of the door	FZ794

Spray paint

Description	Cat. ref.
spray paint, RAL 9010	FZ792N

Single pole distribution blocks

Description	Isc peak (kA)	Connection capacity (mm ²)	Width in module	Cat. ref.
125A	30	incoming: 1 x 35 + 1 x 16mm ² outgoing: 6 x 16mm ²	1.5	KJ02D
160A	50	incoming: 1 x 70mm ² (rigid) 1 x 50mm ² (flexible) outgoing: 6 x 16 + 1 x 16mm ² flat copper lateral	2	KJ02C
250A	50	incoming: 1 x 95mm ² outgoing: 2 x 25 + 5 x 16 + 4 x 10mm ²	2.5	KJ02A
400A	50	incoming: 1 x 150 outgoing: 2 x 25 + 5 x 16 + 4 x 10mm ²	2.5	KJ02B



KJ02A

Modular distribution monobloc

Description	Isc peak (kA)	Ui (V)	Connection capacity (mm ²)	Width in module	Cat. ref.
100A, 4 poles	20	500	per phase: 1 x 25 + 2 x 10 + 5 x 6mm ² neutral: 1 x 25 + 6 x 10 + 4 x 6mm ²	6	KJ02E



KJ02E

Stepped distribution blocks Brass busbar terminals

Description	Ipk (kA)	Ui (V)	Connection capacity per bar (mm ²)	Width in module	Cat. ref.
100A, 4 poles 4x7 connection points	24	500	2x25 + 5x16mm ² rigid wire 2x16 + 5x10mm ² with ferrule	4.5	KJ100A
125A, 4 poles 4x15 connection points	28	500	1x35 + 3x35 + 11x16mm ² rigid wire 1x35 + 3x25 + 11x16mm ² with ferrule	10	KJ125B
160A, 4 poles 4x12 connection points	36	500	1x70 + 3x35 + 8x25mm ² rigid wire 1x50 + 3x25 + 8x16mm ² with ferrule	9.5	KJ160A



KJ100A



KJ160A

Characteristics

FW flush mounting enclosures range is adapted to installations in commercial premises up to 125A. The range enables enclosures to be completed according to the configuration or complete enclosure with rows for modular devices. The FW range includes enclosures from 1 up to 4 fields, 3 up to 7 rows and from 36 to 288 ■ capacities.

Delivered with

- plain or transparent door
- wall fixing brackets
- **quickconnect** earth and neutral terminal block per field
- Euramis door latch

Technical data

- IP30
- class II □

- nominal current (In): 125A
- rated voltage (Ue): 230/400V AC - 50Hz
- short circuit resistance: 17kA
- material: metallic enclosure
- colour: RAL 9010
- DIN rail mounting
- 110mm depth
- DIN rail 35 x 7.5mm
- 125mm center distance between rows

Glow wire test

- IEC 60 695-2-10,
- IEC 60 695-2-11: 850°C

Complies with

- IEC 61 439-3



FW62US2

FW flush mounting enclosures

- DIN rail equipped version (except FWxxxUD2)
- 110mm depth
- for connection with screws use the KMxxx accessories

Height (mm)	Width (mm)	Terminals E/N	Fields	Rows	Nr of modules	Cat. ref. plain door	transparent door
500	300	KN18E + KN18N	1	3	36	FW31US2	FW31UG2
500	550	KN18E + KN18N	2	3	72	FW32US2	FW32UG2
500	800	KN18E + KN18N	3	3	108	FW33US2	FW33UG2
650	300	KN22E + KN22N	1	4	48	FW41US2	FW41UG2
650	550	KN22E + KN22N	2	4	96	FW42US2	FW42UG2
650	800	KN22E + KN22N	3	4	144	FW43US2	FW43UG2
800	300	KN26E + KN26N	1	5	60	FW51US2	FW51UG2
800	550	KN26E + KN26N	2	5	120	FW52US2	FW52UG2
800	800	KN26E + KN26N	3	5	180	FW53US2	FW53UG2
800	1050	KN26E + KN26N	4	5	240	FW54US2	FW54UG2
950	300	KN26E + KN26N	1	6	72	FW61US2	FW61UG2
950	550	KN26E + KN26N	2	6	144	FW62US2	FW62UG2
950	800	KN26E + KN26N	3	6	216	FW63US2	FW63UG2
950	1050	KN26E + KN26N	4	6	288	FW64US2	FW64UG2
1100	300	KN26E + KN26N	1	7	84	FW71US2	FW71UG2
1100	550	KN26E + KN26N	2	7	168	FW72US2	FW72UG2
1100	800	KN26E + KN26N	3	7	252	FW73US2	FW73UG2

Characteristics

FW flush mounting enclosures range is adapted to installations in commercial premises up to 125A. The range enables enclosures to be completed according to the configuration or complete enclosure with rows for modular devices. The FW range includes enclosures from 1 up to 4 fields, 3 up to 7 rows and from 36 to 338 capacities.

Delivered with

- plain door
- wall fixing brackets
- Euramis door latch

Technical data

- IP30
- class II 
- nominal current (In): 125A

- rated voltage (Ue): 230/400V AC - 50Hz
- short circuit resistance: 17kA
- material: metallic enclosure
- colour: RAL 9010
- 110mm depth

Glow wire test

- IEC 60 695-2-10,
- IEC 60 695-2-11: 850°C

Complies with

- IEC 61 439-3



FW62UD2

FW flush mounting enclosures empty version

- 110mm depth

Height (mm)	Width (mm)	Cat. ref. plain door
500	300	FW31UD2
500	550	FW32UD2
500	800	FW33UD2
650	300	FW41UD2
650	550	FW42UD2
650	800	FW43UD2
800	300	FW51UD2
800	550	FW52UD2
800	800	FW53UD2
800	1050	FW54UD2
950	300	FW61UD2
950	550	FW62UD2
950	800	FW63UD2
950	1050	FW64UD2
1100	300	FW71UD2
1100	550	FW72UD2
1100	800	FW73UD2
1250	300	FW81UD2



FZ006NV

Slotted doors

- do not reduce IP30
- the rated power adjusted as far as 45% on appliance one section; on appliance 2 sections as far as 90%

Description	Cat. ref.	
	left door	right door w/ closure
for FW42U..	-	FZ006NV
for FW43U..	FZ007NV	FZ006NV
for FW51U..	-	FZ009NV
for FW52U..	-	FZ010NV
for FW53U..	FZ011NV	FZ010NV
for FW62U..	-	FZ014NV
for FW71U..	-	FZ021NV
for FW72U..	-	FZ022NV
for FW73U..	FZ023NV	FZ022NV
for FW81U..-	-	FZ026NV



UW31U

Mounting kits

Description	Height (mm)	Width (mm)	No. of spans	No. of rows	Cat. ref.
for flush enclosures 500mm	450	250	1	3	UW31U
for flush enclosures 650mm	600	250	1	4	UW41U
for flush enclosures 800mm	750	250	1	5	UW51U
for flush enclosures 950mm	900	250	1	6	UW61U
for flush enclosures 1100mm	1050	250	1	7	UW71U
for flush enclosures 1200mm	1200	250	1	8	UW81U



UN61TN

Kits for perforated mounting plates

Description	Height (mm)	Width (mm)	No. of spans	No. of rows	Cat. ref.
for FW31U..	310	248	1	3	UN31TN
for FW32/33U..	310	498	2	3	UN32TN
for FW41U..	460	248	1	4	UN41TN
for FW42/43U..	460	498	2	4	UN42TN
for FW51U..	610	248	1	5	UN51TN
for FW52/53/54U..	610	498	2	5	UN52TN
for FW61U..	760	248	1	6	UN61TN
for FW62/63/64U..	760	498	2	6	UN62TN
for FW71U..	910	248	1	7	UN71TN
for FW72/73U..	910	498	2	7	UN72TN

Perforated mounting plates

Description	Height (mm)	Width (mm)	No. of spans	No. of rows	Cat. ref.
perforated mounting plate	240	248	1	2	UZ21M6
perforated mounting plate	310	248	1	3	UZ31M5
perforated mounting plate	390	248	1	3	UZ31M6
perforated mounting plate	310	498	2	3	UZ32M5
perforated mounting plate	460	248	1	4	UZ41M5
perforated mounting plate	570	248	1	4	UZ41M6
perforated mounting plate	460	498	2	4	UZ42M5
perforated mounting plate	610	248	1	5	UZ51M5
perforated mounting plate	610	498	2	5	UZ52M5
perforated mounting plate	760	248	1	6	UZ61M5
perforated mounting plate	760	498	2	6	UZ62M5



UZ61M5

Set of 2 uprights

Description	Cat. ref.
for flush enclosures h. 500mm	UN03FN
for flush enclosures h. 650mm	UN04FN
for flush enclosures h. 800mm	UN05FN
for flush enclosures h. 950mm	UN06FN
for flush enclosures h. 1100mm	UN07FN
for flush enclosures h. 1250mm	UN08FN



UN04FN

DIN rails

Description	Pack qty	Cat. ref.
DIN rail 7.5 mm, galvanized metal, 1 field	30	U842B
DIN rail 7.5 mm, insulated, 1 field	30	UT22C



U842B

Earth connection for perforated plates

Description	Cat. ref.
earth connection cable for perforated plates, 400 mm, 1.5 mm ²	UL01G1

Supporting structures

- DIN rails with distance between the centres: 125mm,
- without plate

Height (mm)	Width (mm)	No. of fields	No. of rows	No. of modules	Cat. ref.
450	250	1	3	36	UN03GN
600	250	1	4	48	UN04GN
750	250	1	5	60	UN05GN
900	250	1	6	72	UN06GN
1050	250	1	7	84	UN07GN



UN06GN



US31A3

Opened protective covers

- DIN rails with distance between the centres: 125mm,
- without plate

Height (mm)	Width (mm)	No. of fields	No. of rows	No. of modules	Cat. ref.
150	250	1	1	12	US11A3
300	250	1	2	24	US21A3
450	250	1	3	36	US31A3
600	250	1	4	48	US41A5
750	250	1	5	60	US51A5
900	250	1	6	72	US61A5



US21A1

Closed protective covers

Height (mm)	Width (mm)	No. of fields	No. of rows	No. of modules	Cat. ref.
150	250	1	1	12	US11A1
300	250	1	2	24	US21A1
450	250	1	3	36	US31A1
600	250	1	4	48	US41A1
750	250	1	5	60	US51A1



UT44AN

Vertical partitions

Description	Cat. ref.
for flush enclosures h. 500mm	UT44AN
for flush enclosures h. 650mm	UT44BN
for flush enclosures h. 800mm	UT44CN
for flush enclosures h. 950mm	UT44DN
for flush enclosures h. 1100mm	UT44FN



ZZ10H

Accessories

Description	Cat. ref.
horizontal partitions to mount between the plates (to cut out for flush mounting)	ZZ10H
double towers with screw	UZ04A1
tower underparts with bar	UZ03A1
low tower underparts	UZ01A2
adapter kits, 12 mm adjustable, max. 32 mm	FZ279
hollow wall mounting kits	FZ276
sliders	FZ277
connection assembly for quickconnect	UZ00K1
universal adaptor	KN00A
door shields with handle	FZ598N



UZ04A1



UZ00K1



KN00A

PE + N connections

- snap on lateral support

PE/N Terminals	Section (mm ²)	Pack qty	Cat. ref.
2 x 13 each	6 x 16, 7 x 10	2	KM13A
2 x 22 each	10 x 16, 12 x 10	2	KM22A
2 x 25 each	11 x 16, 14 x 10	2	KM25A
4 x 5 each	1 x 25, 2 x 16, 2 x 10	1	KM05B



KM05B



KM25A

quickconnect terminals

Description	Width (mm)	Cat. ref. N terminals	Ph terminals	PE terminals
6 units	30	KN06N	KN06P	KN06E
10 units	45	KN10N	KN10P	KN10E
14 units	60	KN14N	KN14P	KN14E
18 units	75	KN18N	KN18P	KN18E
22 units	90	KN22N	KN22P	KN22E
26 units	105	KN26N	KN26P	KN26E



KN06P



KN10N



KN14E

Characteristics

FW flush and surface mounting enclosures range is adapted to installations in commercial premises up to 125A. The range enables enclosures to be completed according to the configuration or complete enclosure with rows for modular devices. The FW range includes enclosures from 1 up to 4 fields, 3 up to 7 rows and from 36 to 338 capacities.

Delivered with

- full or transparent door
- wall fixing brackets
- **quickconnect** earth and neutral terminal block per field

Technical data

- IP44
- class II
- nominal current (In): 125A
- rated voltage (Ue): 230/400V AC - 50Hz
- short circuit resistance: 17kA
- material: metallic enclosure
- colour: RAL 9010
- DIN rail mounting
- 160mm depth

Glow wire test

- IEC 60 695-2-10
- IEC 60 695-2-11: 750°C

Complies with

- IEC 61 439-3 and EN 61 439-3



FWB52S

FW metal surface mounting enclosures

- 160mm depth
- for connection with screws use the KMxxx accessories

Height (mm)	Width (mm)	Terminals E/N	Fields	Rows	Nr of modules	Cat. ref. plain door	transparent door
500	300	KN18E + KN18N	1	3	36	FWB31S	FWB31GS
500	550	KN18E + KN18N	2	3	72	FWB32S	FWB32GS
500	800	KN18E + KN18N	3	3	108	FWB33S	FWB33GS
500	1050	KN18E + KN18N	4	3	144	FWB34S	FWB34GS
650	300	KN22E + KN22N	1	4	48	FWB41S	FWB41GS
650	550	KN22E + KN22N	2	4	96	FWB42S	FWB42GS
650	800	KN22E + KN22N	3	4	144	FWB43S	FWB43GS
650	1050	KN22E + KN22N	4	4	192	FWB44S	FWB44GS
800	300	KN26E + KN26N	1	5	60	FWB51S	FWB51GS
800	550	KN26E + KN26N	2	5	120	FWB52S	FWB52GS
800	800	KN26E + KN26N	3	5	180	FWB53S	FWB53GS
800	1050	KN26E + KN26N	4	5	240	FWB54S	FWB54GS
950	300	KN26E + KN26N	1	6	72	FWB61S	FWB61GS
950	550	KN26E + KN26N	2	6	144	FWB62S	FWB62GS
950	800	KN26E + KN26N	3	6	216	FWB63S	FWB63GS
950	1050	KN26E + KN26N	4	6	288	FWB64S	FWB64GS
1100	300	KN26E + KN26N	1	7	84	FWB71S	FWB71GS
1100	550	KN26E + KN26N	2	7	168	FWB72S	FWB72GS
1100	800	KN26E + KN26N	3	7	252	FWB73S	FWB73GS
1100	1050	KN26E + KN26N	4	7	336	FWB74S	FWB74GS
1250	300	KN26E + KN26N	1	8	96	FWB81S	-

Plain doors

Description	Cat. ref.	
	left door	right door w/ closure
for FWB31	-	FZ001N
for FWB32	-	FZ002N
for FWB33	FZ003N	FZ002N
for FWB34	FZ004N	FZ002N
for FWB41	-	FZ005N
for FWB42	-	FZ006N
for FWB43	FZ007N	FZ006N
for FWB44	FZ008N	FZ006N
for FWB51	-	FZ009N
for FWB52	-	FZ010N
for FWB53	FZ011N	FZ010N
for FWB54	FZ012N	FZ010N
for FWB61	-	FZ013N
for FWB62	-	FZ014N
for FWB63	FZ015N	FZ014N
for FWB64	FZ016N	FZ014N
for FWB71	-	FZ021N
for FWB72	-	FZ022N
for FWB73	FZ023N	FZ022N
for FWB74	FZ024N	FZ022N
for FWB81	-	FZ026N



FZ001N

Slotted doors

Description	Cat. ref.	
	left door	right door w/ closure
for FWB42	-	FZ006NV
for FWB43	FZ007NV	FZ006NV
for FWB51	-	FZ009NV
for FWB52	-	FZ010NV
for FWB53	FZ011NV	FZ010NV
for FWB62	-	FZ014NV
for FWB71	-	FZ021NV
for FWB72	-	FZ022NV
for FWB81	-	FZ026NV



FZ006NV



FZ106N

Transparent doors

- width 550mm, 2 sections
- all transparent doors can also use for appliance FW flush mounting.

Description	Cat. ref.
width 550mm, 2 sections for enclosures height 500 mm x width 550 to 1050 mm, FWB32 , FWB33 , FWB34	FZ107N
width 550mm, 2 sections for enclosures height 650 mm x width 550 to 1050 mm, FWB42S, FWB43S, FWB44S	FZ104N
width 550mm, 2 sections for enclosures height 800 mm x width 550 to 1050 mm, FWB52S, FWB53S, FWB54S	FZ106N
width 550mm, 2 sections for enclosures height 950 mm x width 550 to 1050 mm, FWB62S, FWB63S, FWB64S	FZ110N
width 550mm, 2 sections for enclosures height 1100 mm x width 550 to 1050 mm, FWB72S, FWB73S, FWB74S	FZ102N
width 300mm, 1 section for enclosures height 500 mm x width 300 mm, FWB31	FZ105N
width 300mm, 1 section for enclosures height 650 mm x width 300 mm, FWB41	FZ108N



FZ22B

Finishing frames

- max. adjustment 45 mm
- external dimensions + 48 mm

Description	Height (mm)	Width (mm)	Cat. ref.
for FWB31	500	300	FZ011B
for FWB32	500	550	FZ012B
for FWB33	500	800	FZ013B
for FWB34	500	1050	FZ014B
for FWB41	650	300	FZ021B
for FWB42	650	550	FZ022B
for FWB43	650	800	FZ023B
for FWB44	650	1050	FZ024B
for FWB51	800	300	FZ11B
for FWB52	800	550	FZ12B
for FWB53	800	800	FZ13B
for FWB54	800	1050	FZ14B
for FWB61	950	300	FZ21B
for FWB62	950	550	FZ22B
for FWB63	950	800	FZ23B
for FWB64	950	1050	FZ24B
for FWB71	1100	300	FZ31B
for FWB72	1100	550	FZ32B
for FWB73	1100	800	FZ33B
for FWB74	1100	1050	FZ34B

Complete spans for modular devices and telecom applications can be easily integrated in the enclosure and combined according to the needs.

Mounting kits for enclosures

Description	Height (mm)	Width (mm)	No. of fields	No. of rows	No. of modules	Cat. ref.
for surface enclosures 500mm	450	250	1	3	36	UW31V
for surface enclosures 650mm	600	250	1	4	48	UW41V
for surface enclosures 800mm	750	250	1	5	60	UW51V
for surface enclosures 950mm	900	250	1	6	72	UW61V
for surface enclosures 1100mm	1050	250	1	7	84	UW71V
for surface enclosures 1250 mm	1200	250	1	8	96	UW81V



UW61V

Kits for perforated mounting plates

- to be used with partitions (see page 1.49 for references)

Height (mm)	Width (mm)	No. of fields	No. of rows	Cat. ref.
310	248	1	3	UN31TN
310	498	2	3	UN32TN
460	248	1	4	UN41TN
460	498	2	4	UN42TN
610	248	1	5	UN51TN
610	498	2	5	UN52TN
760	248	1	6	UN61TN
760	498	2	6	UN62TN
910	248	1	7	UN71TN
910	498	2	7	UN72TN



UN61TN

Perforated mounting plates

Height (mm)	Width (mm)	No. of fields	No. of rows	Cat. ref.
240	248	1	2	UZ21M6
310	248	1	3	UZ31M5
390	248	1	3	UZ31M6
310	498	2	3	UZ32M5
460	248	1	4	UZ41M5
570	248	1	4	UZ41M6
460	498	2	4	UZ42M5
610	248	1	5	UZ51M5
610	498	2	5	UZ52M5
760	248	1	6	UZ61M5
760	498	2	6	UZ62M5



UZ61M5



UN03A

Set of 2 uprights

Description	Cat. ref.
for flush enclosures h. 500mm	UN03A
for flush enclosures h. 650mm	UN04A
for flush enclosures h. 800mm	UN05A
for flush enclosures h. 950mm	UN06A
for flush enclosures h. 1100mm	UN07A
for flush enclosures h. 1250mm	UN08A

Earth connection for perforated plates

Description	Cat. ref.
earth connection cable for perforated plates 400mm, 1,5 mm ²	UL01G1



US31A3

Opened protective covers

- DIN rails with distance between the centres: 125mm,
- for modular devices

Height (mm)	Width (mm)	No. of spans	No. of rows	No. of modules	Cat. ref.
150	250	1	1	12	US11A3
300	250	1	2	24	US21A3
450	250	1	3	36	US31A3
600	250	1	4	48	US41A5
750	250	1	5	60	US51A5
900	250	1	6	72	US61A5



US21A1



Closed protective covers

Height (mm)	Width (mm)	No. of spans	No. of rows	No. of modules	Cat. ref.
150	250	1	1	12	US11A1
300	250	1	2	24	US21A1
450	250	1	3	36	US31A1
600	250	1	4	48	US41A1
750	250	1	5	60	US51A1
150	500	2	1	24	US12A1
300	500	2	2	48	US22A1
450	500	2	3	72	US32A1
600	500	2	4	96	US42A1
150	500	3	1	24	US13A1
300	500	3	2	48	US23A1
450	500	3	3	72	US33A1

Partitions

Description	Cat. ref.	
vertical for enclosures h. 500mm	UZ30F1	 UZ40F1
vertical for enclosures h. 650mm	UZ40F1	
vertical for enclosures h. 800mm	UZ50F1	
vertical for enclosures h. 950mm	UZ60F1	
vertical for enclosures h. 1100mm	UZ70F1	
horizontal for 1 span width	ZZ10H	

Towers

Description	Cat. ref.	
double towers with screw	UZ04A1	 UZ01A2
top tower overpart, 15 mm, 1 set = 4 pieces	UZ05A1	
tower underparts with bar	UZ03A1	 UZ05A1
low tower underparts	UZ01A2	

Cable guides


Description	Cat. ref.	
cable guides strap small section, 1 set = 20 pieces	UZ25V2	 UZ25V2
fixing support for cable guide, vertical, clip fixing	UZ01V2	

Wall fixing brackets

Description	Cat. ref.	
for surface mounting, 1 set = 4 pieces	FZ803B	 FZ803B


Suspension rail

- to mount surface enclosures

Description	Cat. ref.	
suspension rail, length: 2 m, delivered with 4 brackets	FZ890N	 FZ890N
suspension brackets for wall fixing rails FZ890N	FZ799N	

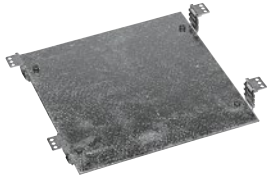
Strain relief rails

- to mount on lower / upper part of surface enclosures

Description	Cat. ref.	
strain relief rails, length: 140 mm, profile C 25 x 10 mm, slot 11 mm	U850S	 U850S

Mounting plates

- with depth adjustment

Description	Cat. ref.	
mounting plates h.115 x w.210 mm x thick. 2.5mm, lowering 29 mm	UT26A	 UT26B
mounting plates h.215 x w.210 mm x thick. 2.5, lowering 29 mm	UT26B	

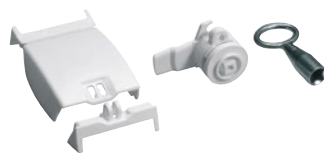


FZ597N

Locks

- with 2 keys, to replace the original lock

Description	Cat. ref.
locks	FZ597N



FZ821N

Sealing caps

Description	Cat. ref.
without closing system, only cap	FZ226
with cap, male square 8 mm centre, plastic	FZ821N
with cap, male square 6 mm centre, metal	FZ822N
with slot, plastic	FZ823N
with lock cylinder	FZ824N



UT22B

Rails, depth adjustable and insulated

- 7.5 mm height DIN rail

Description	Cat. ref.
1 span, lowering up to 21mm	UT22C
1 span, lowering up to 31mm	UT22B
1 span, lowering up to 32mm	U82A



FZ794

Diagram holders

Description	Pack qty	Cat. ref.
flexible, A4 format, self adhesive to stick inside the doors	10	FZ794
rigid, A4 format, made of metal sheet, delivered with fixing screws (from door height 800 mm and width 550 mm)	1	FZ707

Touch up paint

Description	Cat. ref.
for final touch colour RAL 9010 (pure white)	FZ791N



ZZ34S

Blanking stripes

- to blank opening
- 9 mm pre-cut,
- RAL 9010 (pure white)

Description	Pack qty	Cat. ref.
blanking stripes, length 221mm	10	S35S
blanking stripes, length 221mm, lockable	10	ZZ34S



UZ005

Identifier stripes

- to stick on protection plates,
- delivered with label
- 1set = 12 pieces

Description	Cat. ref.
identifier stripes, 1 span	UZ005
identifier labels to insert in UZ005 identifier stripe (1 sheet = 12 labels)	UZ006

Marking systems

- sheet "circuits caption" to stick on the inner side of the door
- 1 set = 10 pieces

Description

marking systems

Cat. ref.

VZ717



VZ717

Marking strips

- 1 set = 10 pieces

Description

transparent stripe with 14 modules length label

Cat. ref.

VZ602



VZ602

Connection assemblies

Description

for **quickconnect**

Cat. ref.

UZ00K1



UZ00K1

Adapters

Description

universal adapters

level adapters

Cat. ref.

KN00A

UZ00K2



KN00A

Set of stoppers

- to block opened cable entries

Description

set of stoppers

Cat. ref.

FZ401



FZ401

Door shield with handle

- with camlock, IP44

Description

door shield with handle

Cat. ref.

FZ598N



FZ598N

Cable entry

Description

for top and bottom

for rear cable entry

Cat. ref.

FZ426

FZ428



FZ428

Fixing screws for plates

Description

spare screws, sealable for plate, 1 piece

spare screws, sealable for plate, 25 pieces

Cat. ref.

UZ06A1

UZ06A3



UZ06A1

Characteristics

vector security surface mounting boxes associated with a protection device allows to open circuit in case of emergency stop. The range of boxes is adapted to installations where a remote control of the emergency stop is needed or fire application. The range enables boxes to be completed according to the configuration or fully equipped.

Delivered with

- hinged glass door
- earth brass terminal
- marking strip
- key lock

Technical data

- IP55 and IK07
- class II
- colour: RAL 3020
- DIN rail mounting
- equipment depends on the version
- hammer in option

Glow fire test

IEC 60 695-2-10
IEC 60 695-2-11: 850°C

Complies with

IEC 61947-5-1 and IEC 61947-5-5



VE105A

Box to be equipped

Description	Dimensions H x W x D (mm)	Characteristics	Cat. ref.
1 row, 4 + 2 modules	190 x 165 x 113	- E: 2 x 16 + 2 x 10mm ² - cable entry gland size: 2 x M20 + 2 x M25 + 1 x M32	VE105A
1 row, 8 + 2 modules	210 x 237 x 114	- E : 2 x 16 + 2 x 10mm ² - cable entry gland size: 4 x M20 + 2 x M25 + 1 x M32	VE109A



VE105U

Emergency button equipped box

- equipped with mushroom head button, green and red indicator lights

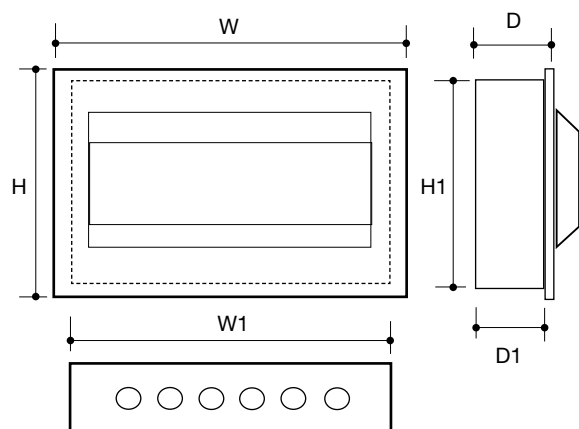
Description	Dimensions H x W x D (mm)	Characteristics	Cat. ref.
1 row, 4 + 2 modules	190 x 165 x 113	- remote control emergency stop - 10A / 230 V AC - 1 NO + 1 NC contact - key release	VE105U

Glass breaking hammer

- delivered with chain

Description	Cat.ref.
glass breaking hammer	VZ198

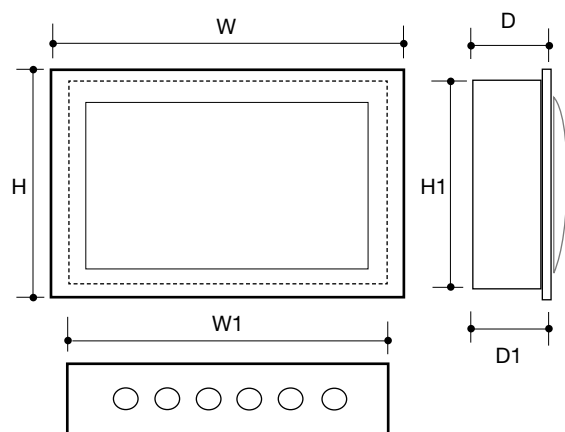
consumer units with 100A fixed busbar



Dimensions (mm)

References	H	W	D	H1	W1	D1
VT04FM	251	234	92	226	208	70
VT06FM	251	270	92	226	244	70
VT08FM	251	306	92	226	280	70
VT10FM	251	342	92	226	316	70
VT12FM	251	378	92	226	352	70
VT16FM	251	450	92	226	424	70
VT04SM	231	214	92	226	208	70
VT06SM	231	250	92	226	244	70
VT08SM	231	286	92	226	280	70
VT10SM	231	322	92	226	316	70
VT12SM	231	358	92	226	352	70
VT16SM	231	430	92	226	424	70

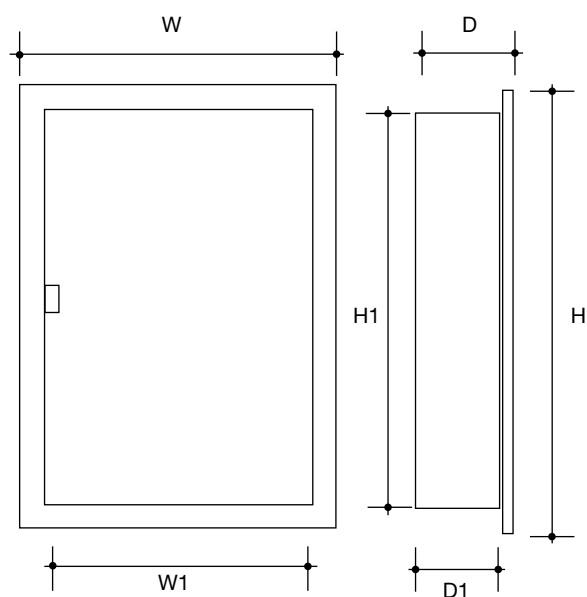
invicta VT



Dimensions (mm)

References (fixed load)	H	W	D	H1	W1	D1
VT04MF/PNF/TF	253	245	93	220	206	80
VT08MF/PNF/TF	253	316	93	220	277	80
VT12MF/PNF/TF	253	387	93	220	348	80
VT16MF/PNF/TF	253	458	93	220	420	80
VT20MF/PNF/TF	253	529	93	220	491	80
VT04MS/PNS/TS	253	245	93	250	242	80
VT08MS/PNS/TS	253	316	93	250	313	80
VT12MS/PNS/TS	253	387	93	250	384	80
VT16MS/PNS/TS	253	458	93	250	456	80
VT20MS/PNS/TS	253	529	93	220	527	80

invicta DR

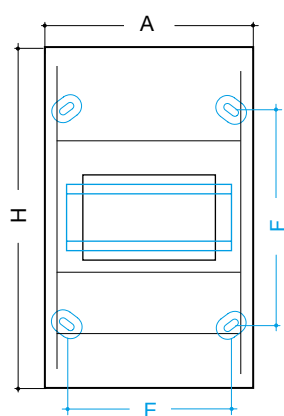


Dimensions (mm)

References (flush)	H	W	D	H1	W1	D1
DR16F/FT	350	430	110	320	400	110
DR32F/FT	500	430	110	470	400	110
DR48F/FT	650	430	110	620	400	110
DR64F/FT	800	430	110	770	400	110
DR80F/FT	950	430	110	920	400	110
DR96F/FT	1100	430	110	1070	400	110
DR12FT	350	430	110	320	400	110
DR24FT	500	430	110	470	400	110
DR36FT	650	430	110	470	400	110

References (surface)	H	W	D	H1	W1	D1
DR16S/ST	325	405	110	320	400	110
DR32S/ST	475	405	110	470	400	110
DR48S/ST	625	405	110	620	400	110
DR64S/ST	775	405	110	770	400	110
DR80S/ST	925	405	110	920	400	110
DR96S/ST	1075	405	110	1070	400	110
DR12ST	325	405	110	320	400	110
DR24ST	475	405	110	470	400	110
DR36ST	625	405	110	470	400	110

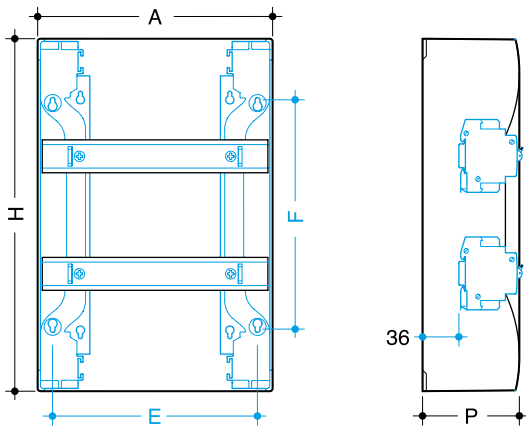
mini gamma



Dimensions (mm)

References	Dimensions			Fixing centers	
	A	H	depth	E	F
GD102E	55	160	82	-	-
GD104E	110	180	82	86	114
GD106E	146	180	82	124	114
GD108E	182	180	82	158	114
GD110E	218	180	82	194	114

gamma 13

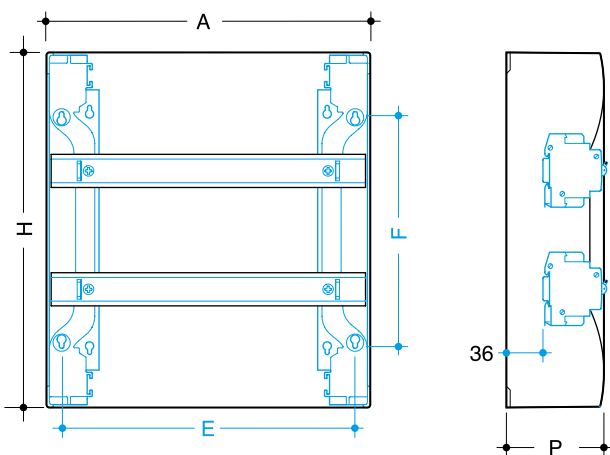


Dimensions (mm)

References	Dimensions			Fixing centers	
	A	H	P	E	F
GD113A	250	250	103	180	177
GD213A	250	375	103	180	302
GD313A	250	500	103	180	427
GD413A	250	625	103	180	552

Note: allow 28mm extra in width for door opening.

gamma 18



Dimensions (mm)

References	Dimensions			Fixing centers	
	A	H	P	E	F
GD118A	355	250	103	285	177
GD218A	355	375	103	285	302
GD318A	355	500	103	285	427
GD418A	355	625	103	285	552

Note: allow 28mm extra in width for door opening.

Cable entries

Top/bottom

- cable entries knockout-type
- 40mm diameter pre-cuts on the other side
- the wall box is 180° turnable

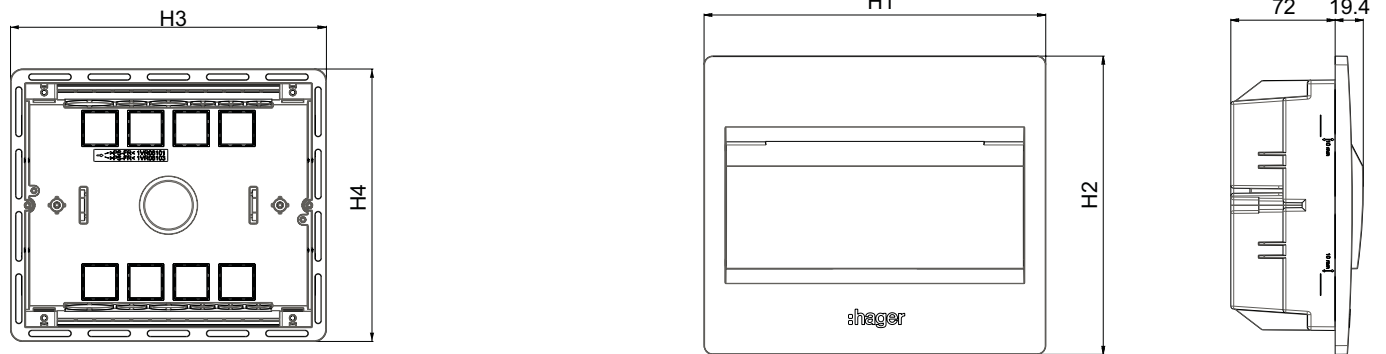
Side

- one knockout Ø 25 mm on the left and right side, in the upper and lower connection space

Back

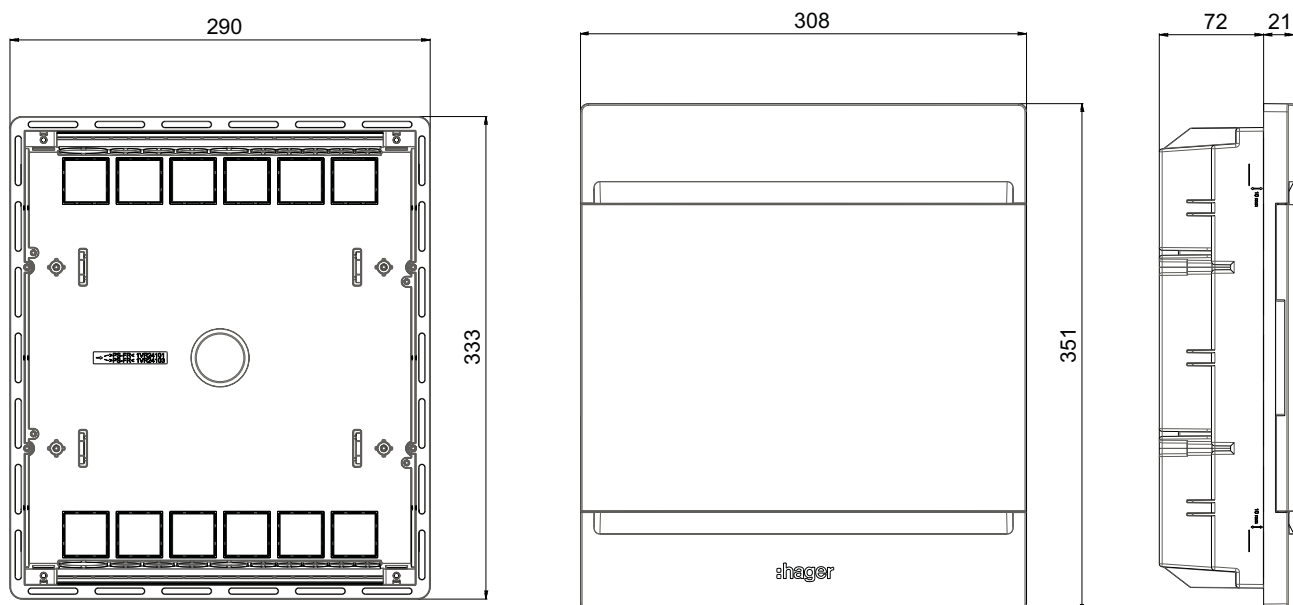
- knockouts are foreseen on the back wallbox

VR108, VR112 and VR118



Reference		Dimensions in mm			
		Frame		Wall niche	
		H1	H2	H3	H4
VR108	1 row 8 modules	236	206	218	188
VR112	1 row 12 modules	308	226	290	208
VR118	1 row 18 modules	416	226	398	208

VR212

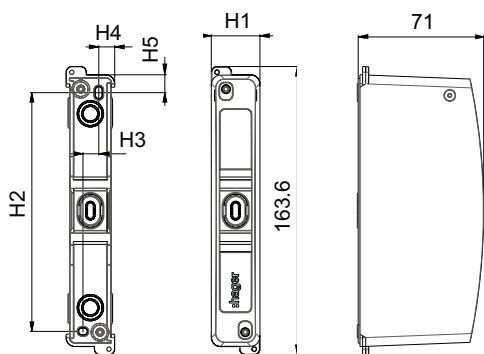


Cable entries

Top/bottom

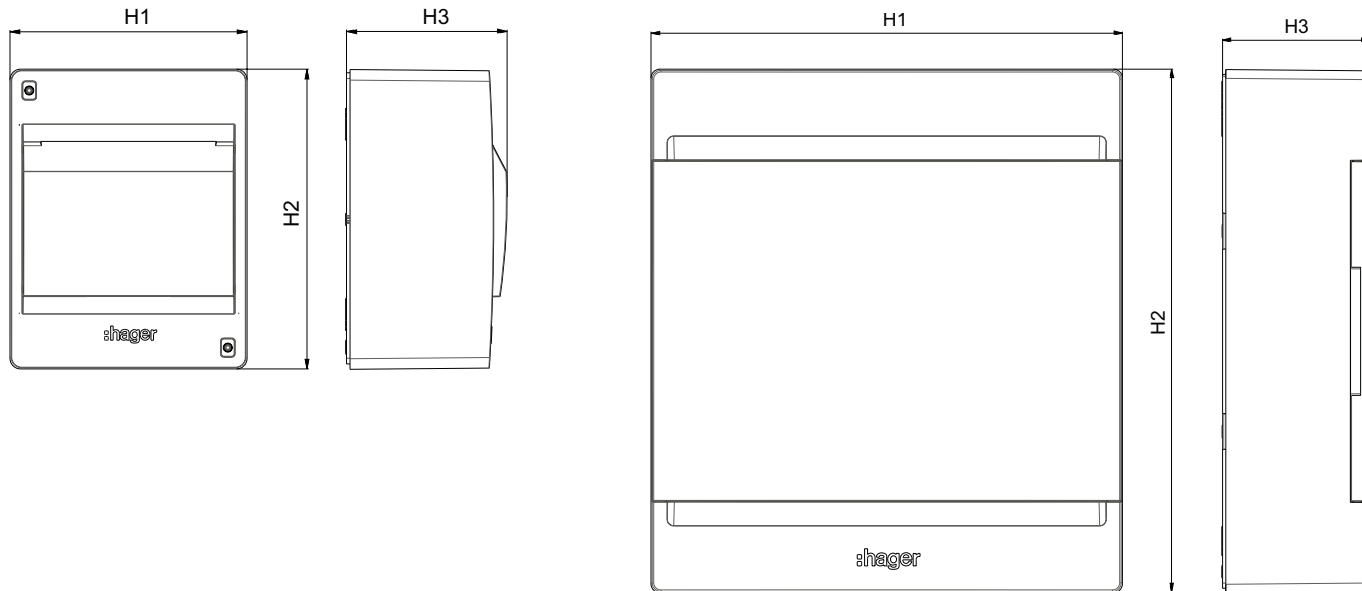
Both sides cable entry, knockout-type, for cable, conduit or trunking.
Cable ties can be fixed wherever needed on the backplate.

VD101 to VD104



Reference	Dimensions in mm				
	H1	H2	H3	H4	H5
VD101 1 row 1	27.5	135.5	9	9	10
VD102 1 rangée 2	45.5	135.5	26	9	10
VD103 1 rangée 3	63.5	126	35.5	15	12.5
VD104 1 rangée 4	81,5	125	52.7	16	13

VD106 to VD212



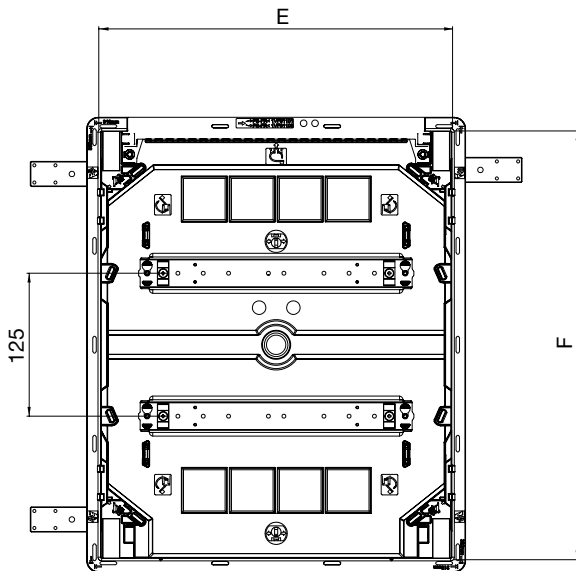
Reference	Dimensions en mm						
	H1	H2	H3	H4	H5	H6	H7
VD106 1 row 6	134.5	170	91	104	108	31	15
VD108 1 row 8	170.5	170	91	139.5	107	31.5	15.5
VD110 1 row 10	206.5	170	91	176	107	32	15
VD112 1 row 12	292.5	200	91	262.5	137	32	15
VD118 1 row 18	400	200	91	371.5	131.5	34	14.5
VD212 2 rows 24	294	326.5	92.5	262	262	32.5	16

golf, flush version

Cable entries

- top/bottom

One side cable entry slide, knockout-type, (VF104... and VF108...). The other side pre cuts with diameters 20mm, 25mm, 32mm and 40 mm the wall box is 180° turnable (slider can be placed at top or bottom).



- side

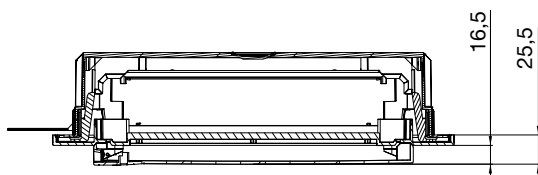
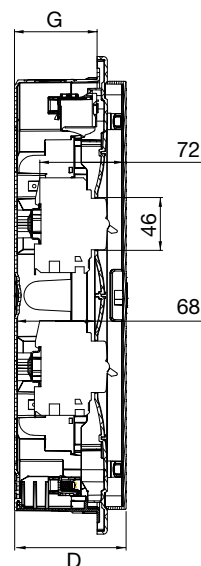
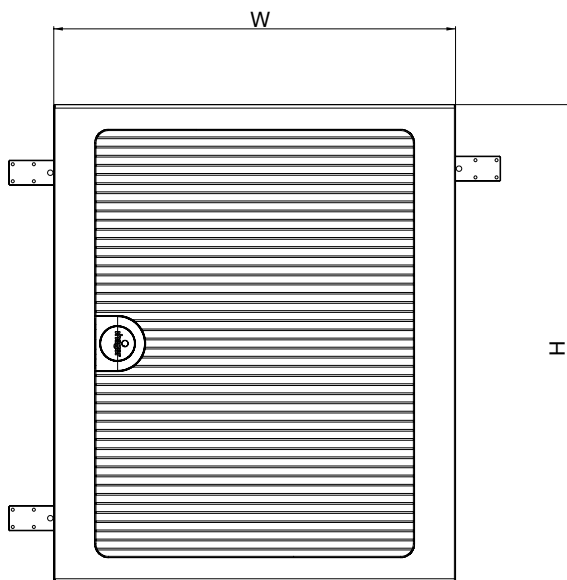
Each knockout Ø 25mm on the left and right in the upper and lower connection space.

2 rows, knockouts Ø 25mm on the left and right between the device rows. (no knockouts at 4 and 8 module enclosures).

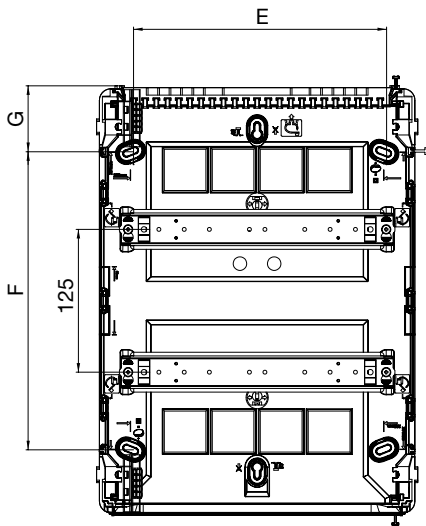
Dimensions (mm)

References	Dimensions					
	Frame			Wall niche		
	W	H	D	E	F	G
VF104... 1 row 4	204	225	98	170	189	72
VF108... 2 row 8	275	225	98	242	189	72
VF112... 1 row 12	352	293	98	318	257	72
VF212... 2 row 12	352	418	98	318	382	72
VF312... 3 row 12	352	543	98	318	507	72
VF412... 4 row 12	352	688	98	318	652	72
VF118... 1 row 18	460	293	98	426	257	72
VF218... 2 row 18	460	418	98	426	382	72
VF318... 3 row 18	460	543	98	426	507	72
VF418... 4 row 18	460	688	98	426	652	72
VF122.. 1 row 22	532	293	98	498	257	72

For the wall niche, these dimensions are minimal.

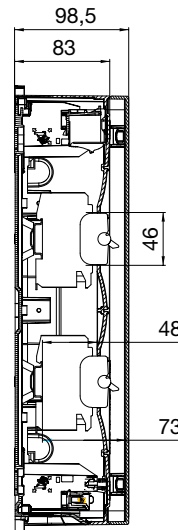
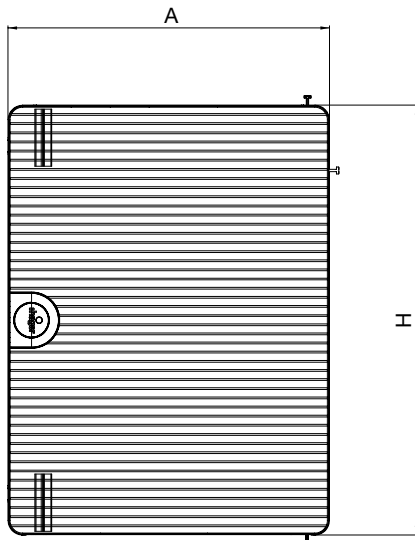


golf, surface version



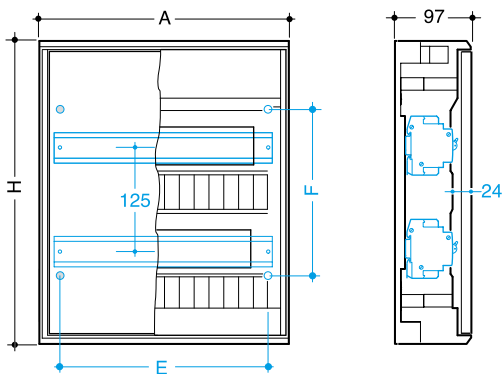
Dimensions (mm)

References	Dimensions		Wall fixation		
	A	H	E	F	G
VS104... 1 row 4	137.5	183.5	101	68	58
VS108... 2 row 8	209.5	183.5	173.5	68	58
VS112... 1 row 12	281.5	251.5	221.5	135.5	58
VS212... 2 row 12	281.5	376.5	221.5	260.5	58
VS312... 3 row 12	281.5	500	221.5	385.5	58
VS412... 4 row 12	281.5	646.5	221.5	491	78
VS118... 1 row 18	389.5	251.5	329.5	135.5	58
VS218... 2 row 18	389.5	376.5	329.5	260.5	58
VS318... 3 row 18	389.5	500	329.5	385.5	58
VS418... 4 row 18	389.5	646.5	329.5	491	78
VS122... 1 row 22	461.5	251.5	401.5	135.5	58







gala

VA24D - 2 rows 24 modules

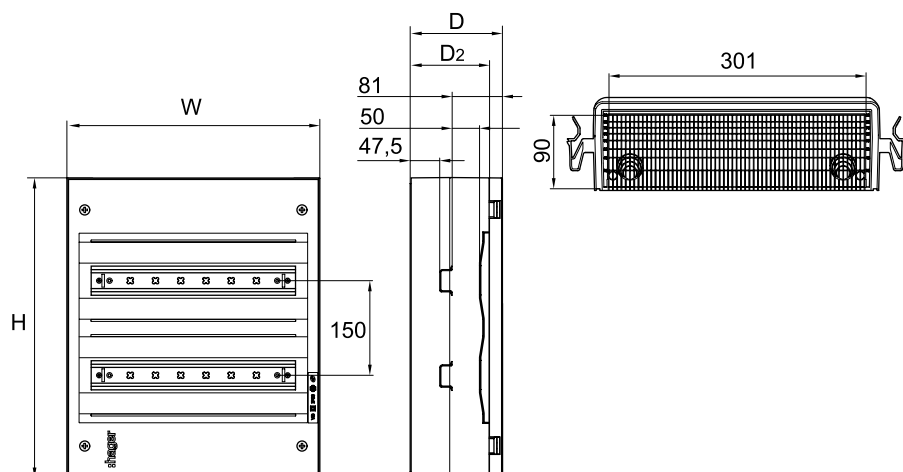


Dimensions (mm)




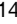
References	Dimensions		Fixing centers	
	A	H	E	F
VA12D 12  1 row	305	245	270	91
VA24D 24  2 rows	305	370	270	216
VA36D 36  3 rows	305	515	270	331
VA48D 48  4 rows	305	640	270	456

vega

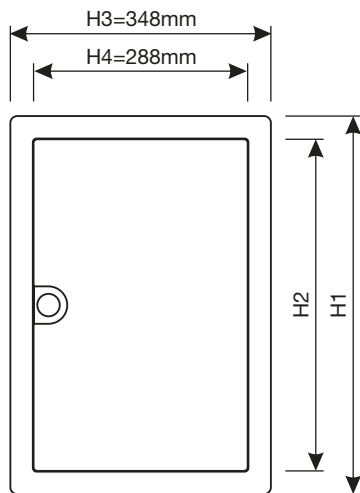
VB118, VB218, VB318, VB418



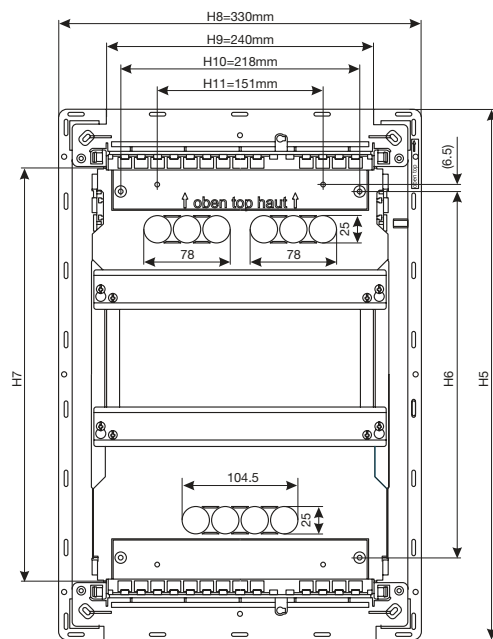
Dimensions (mm)

References	Dimensions		Fixing centers	
	H	W	D	D ₂
VB118 18  1 row	325	400	146	126
VB218 36  2 rows	475	400	146	126
VB318 54  3 rows	625	400	146	126
VB418 72  4 rows	775	400	146	126

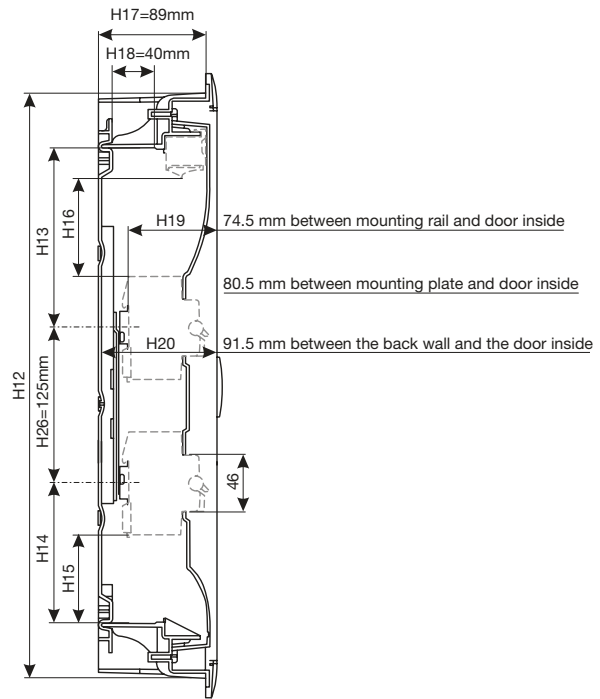
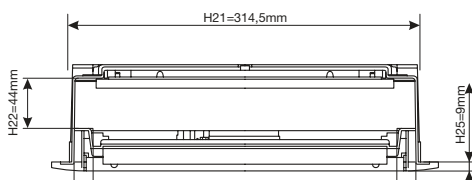
Dimensions (mm)



	H1	H2
VU12	356.5	298.5
VU24	505.5	445.5
VU36	630.5	570.5
VU48	755.5	695.5
VU60	880.5	820.5



	H5	H6	H7
VU12	335	185	224
VU24	484	334	373
VU36	609	469	498
VU48	734	584	623
VU60	859	709	748

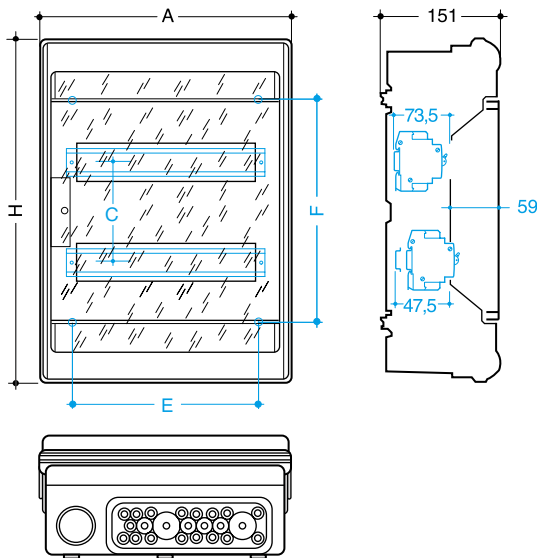


	H12	H13	H14	H15	H16
VU12	321	130	104	56	64
VU24	470	144	114	66	79
VU36	595	144	114	66	79
VU48	720	144	114	66	79
VU60	845	144	114	66	79

	Description
H1	Overall height of the frame
H2	Internal height of the frame
H3	Overall width of the frame
H4	Internal width of the frame
H5	Overall height of the wall box
H6	Height distance from rear mounting holes
H7	Internal height of the wall box
H8	Overall width of the wall box
H9	Width of the cable entry slide opening
H10	Width distance from rear mounting holes
H11	Width spacing of mounting holes (for example, sheet metal bracket or similar)
H12	Height of the hollow wall cutout
H13	Upper wiring space according to DIN 43871
H14	Lower wiring space according to DIN 43871
H15	Lower wiring space with integrated modular devices
H16	Upper wiring space with integrated modular devices
H17	Installation in depth of the wall box for hollow wall
H18	Maximum cable entry passing-through dimension
H19	Distance between mounting rail and door
H20	Distance between back plate and door
H21	Width of the hollow wall cutout
H22	Height of the lateral wiring space
H23	Width of the side wiring space
H24	Internal width of the wall box
H25	Thickness of the frame
H26	Mounting rail

VE212F - 2 rows 24 modules

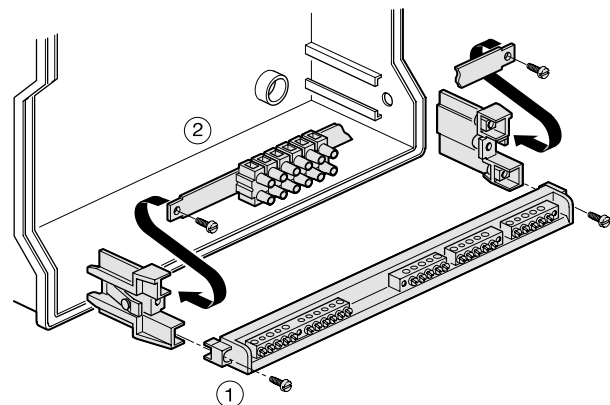
Dimensions (mm)



References	No. of rows	Enclosure dimension		Fixing centres		DIN rails centre distance C
		A	H	E	F	
VE103F or PN 3	1	111	175	-	147	125
VE106F or PN 6	1	165	190	108	158	
VE110F or PN 10	1	237	210	180	173	
VE112F or PN 12	1	310	302	230	155	
VE212F or PN 24	2	310	427	230	280	
VE312F or PN 36	3	310	552	230	405	
VE412F or PN 48	4	310	677	230	550	150
VE118F or PN 18	1	418	302	338	155	
VE218F or PN 36	2	418	452	338	305	
VE318F or PN 54	3	418	602	338	455	

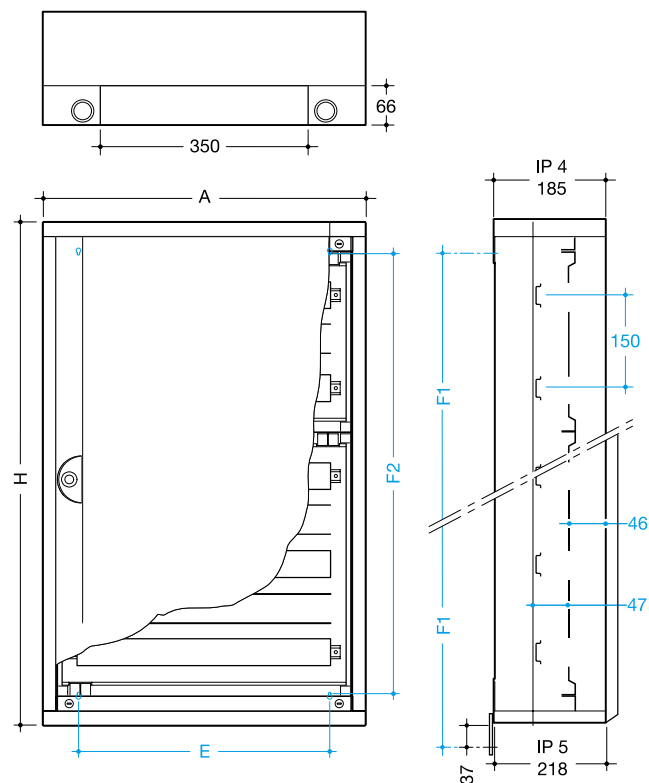
Connection assembly

Mounting on insulating support at both end of the chassis
additional connection assembly: VZ403 or VZ428

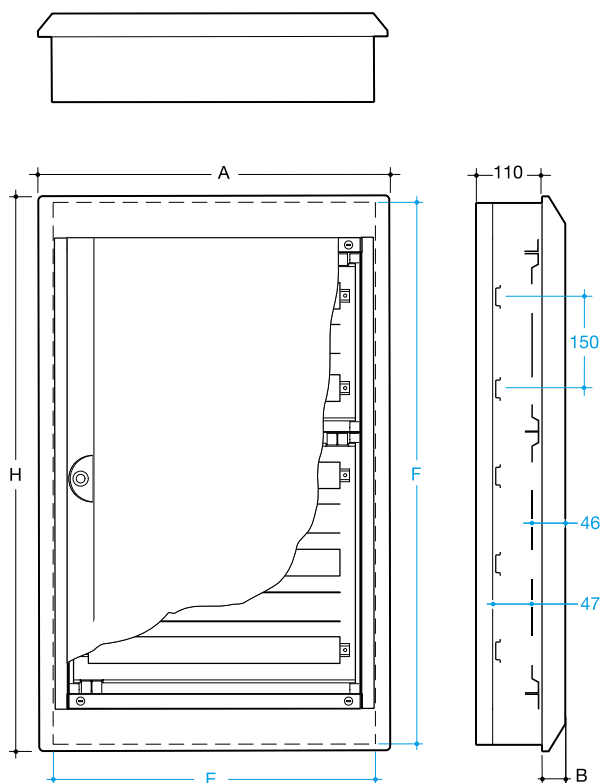


References	Cable glands	Side knockout PG
VE103F or PN	2 x M20	-
VE106F or PN	1 x M20 + 1 x M25 + 1 x M20/32	2 x 16
VE110F or PN	1 x M20/32 + 1 x M25 + 3 x M20	2 x 16
VE112F or PN	2 x M20/32/40 + 2 x M25/32 + 3 x M25 + 6 x M20	2 x 21
VE212F or PN	1 x M20/40/50 + 2 x M20/32 + 12 x M25 + 2 x M20	2 x 21
VE312F or PN	2 x M20/32/40 + 2 x M25/32 + 3 x M25 + 6 x M20	3 x 21
VE412F or PN	1 x M20/40/50 + 2 x M20/32 + 12 x M25 + 2 x M20	3 x 21
VE118F or PN	2 x M20/32/40 + 2 x M25/32 + 3 x M25 + 6 x M20	4 x 21
VE218F or PN	1 x M20/40/50 + 2 x M20/32 + 12 x M25 + 2 x M20	4 x 21
VE318F or PN	2 x M20/32/40 + 2 x M25/32 + 3 x M25 + 6 x M20	5 x 21

Surface version



Flush version



* version FUx2AN only

Dimensions (mm)

Surface version

References	Dimensions of box		Fixing		
	A	H	E	F1	F2
FD22AN/GN FD22DN	550	450	350	325	245
FD32AN/GN FD32DN	550	600	350	475	395
FD42AN/GN FD42DN	550	750	350	625	545
FD52AN/GN FD52DN	550	900	350	775	695
FD62AN/GN FD62DN	550	1050	350	925	845
FD72AN/GN FD72DN	550	1200	350	1075	995

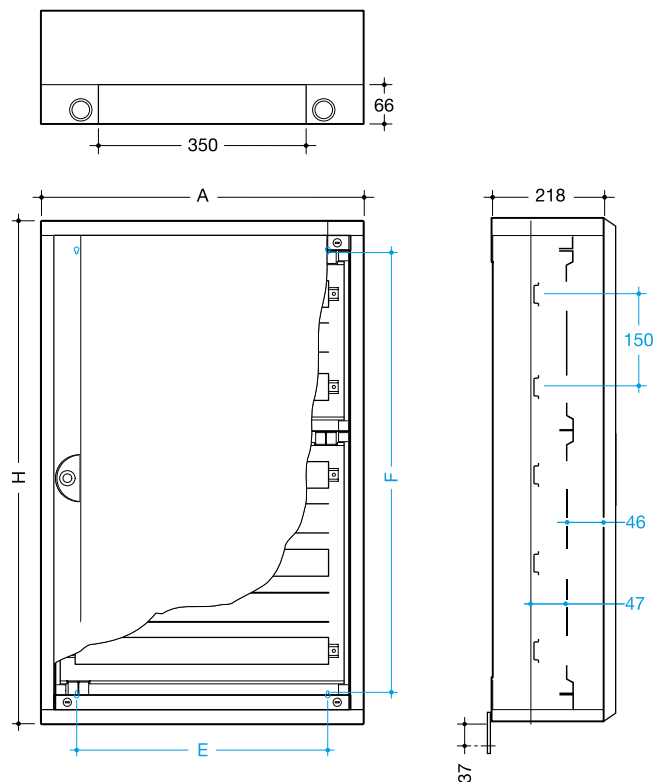
Flush version

References	Dimensions external frame			Wall niche	
	A	H	B	E	F
FU22DN	600	537	40	550	506
FU32DN	600	687	40	550	656
FU42DN	600	837	40	550	806
FU52DN	600	987	40	550	956
FU62DN	600	1137	40	550	1106
FU72DN	600	1287	40	550	1256
FU22AN/GN	600	537	72	550	506
FU32AN/GN	600	687	72	550	656
FU42AN/GN	600	837	72	550	806
FU52AN/GN	600	987	72	550	956
FU62AN/GN	600	1137	72	550	1106
FU72AN/GN	600	1287	72	550	1256

vega D enclosures

Weatherproof

FV52A - 5 rows 120 ■



Dimensions (mm)

References	Enclosure dimension		Fixing		Number of			
	A	H	E	F	rows	mod.	doors	lock
FV22A	550	500	405	574	-	-	1	1
FV32A	550	650	405	724	+1	24	1	1
FV42A	550	800	405	874	+2	48	1	1
FV52A	550	950	405	1024	+3	72	1	1
FV62A	550	1100	405	1174	+4	96	1	1
FV72A	550	1250	405	1324	+5	120	1	1

General description

Flush mounting enclosures for domestic and commercial electrical distribution.

Included in delivery:

- enclosures with door,
- carrier rails with complete board,
- device covers with 46mm slots, with complete board,
- comes fitted with **quickconnect** terminals in complete boards or with brass terminals (according to the versions)

Complies with Standards

IEC 60 439-3


Nominal voltage

AC 400V / 50Hz

Current rating

for devices up to 125A

Protection class

II (insulation protected) 

IP rating

IP30

Protection details

Protection against direct contact: IP3X behind the door

Protection with indirect contact: insulation protection

Door

Frontal fastening, with internal hinges, all adjustable, removable without tools, can be mounted on right or left, width from 800mm double door, opening angle 110°.

Door lock

Twist release lock, exchangeable with other locks, 3 point bar locks on double door cabinet.

quickconnect terminals

built in per field to every complete board **quickconnect**

Colour

RAL 9010 (pure white)

Cable entries

Cable entry plates top and bottom made of plastic to feed in the cable from the front.

Material

Housing and door made of steel, powder coated.

Carrier rails

Steel, powder coated.

Supports

Plastic

Device rails

Steel, galvanised

Covers and knockouts

Plastic

Glow wire test for plastic parts

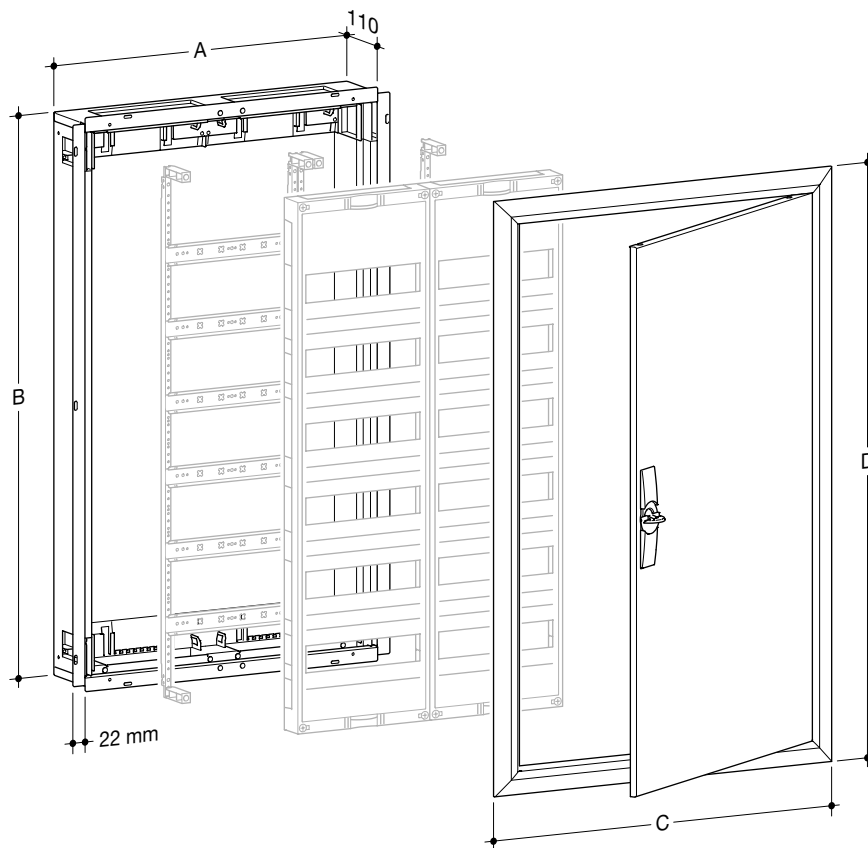
IEC 60 695-2-10

IEC 60 695-2-11: 850°C

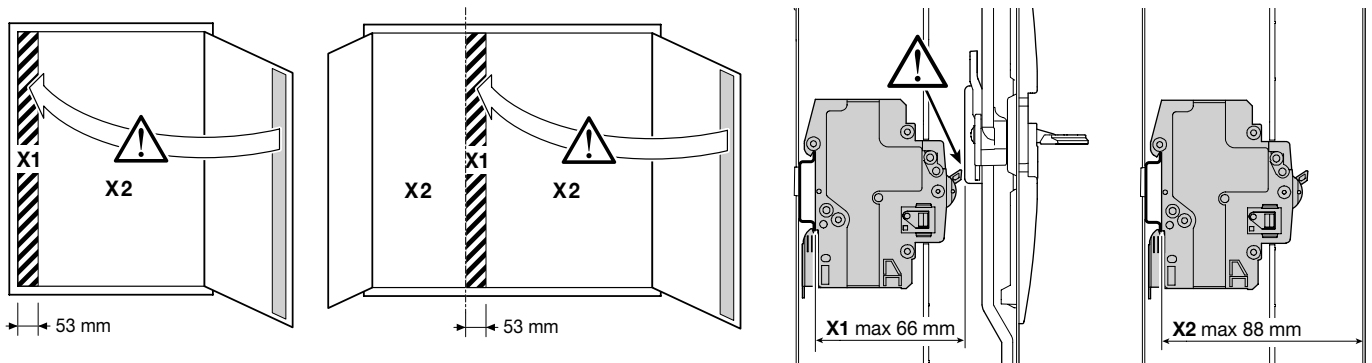
	Height (mm)	Width (mm)	Depth (mm)	DIN rails (12 mod.)	Fields across	Nr of modules	IP class (standard)	PE/N terminals (per field)
FW31US2/UG2	500	300	110	3	1	36	IP30	2x(4x25mm ² + 14x4mm ²)
FW32US2/UG2	500	550	110	3	2	72	IP30	2x(4x25mm ² + 14x4mm ²)
FW33US2/UG2	500	1050	110	3	3	108	IP30	2x(4x25mm ² + 14x4mm ²)
FW41US2/UG2	650	300	110	4	1	48	IP30	2x(5x25mm ² + 17x4mm ²)
FW42US2/UG2	650	550	110	4	2	96	IP30	2x(5x25mm ² + 17x4mm ²)
FW43US2/UG2	650	1050	110	4	3	144	IP30	2x(5x25mm ² + 17x4mm ²)
FW51US2/UG2	800	300	110	5	1	60	IP30	2x(6x25mm ² + 20x4mm ²)
FW52US2/UG2	800	550	110	5	2	120	IP30	2x(6x25mm ² + 20x4mm ²)
FW53US2/UG2	800	800	110	5	3	180	IP30	2x(6x25mm ² + 20x4mm ²)
FW54US2/UG2	800	1050	110	5	4	240	IP30	2x(6x25mm ² + 20x4mm ²)
FW61US2/UG2	950	300	110	6	1	72	IP30	2x(6x25mm ² + 20x4mm ²)
FW62US2/UG2	950	550	110	6	2	144	IP30	2x(6x25mm ² + 20x4mm ²)
FW63US2/UG2	950	800	110	6	3	216	IP30	2x(6x25mm ² + 20x4mm ²)
FW64US2/UG2	950	1050	110	6	4	288	IP30	2x(6x25mm ² + 20x4mm ²)
FW71US2/UG2	1100	300	110	7	1	84	IP30	2x(6x25mm ² + 20x4mm ²)
FW72US2/UG2	1100	550	110	7	2	168	IP30	2x(6x25mm ² + 20x4mm ²)
FW73US2/UG2	1100	1050	110	7	3	252	IP30	2x(6x25mm ² + 20x4mm ²)

FW flush enclosures, depth 110mm

Dimensions (mm)



References	Recess dimension		Dimension incl. trimming frame	
	A	B	C	D
FW31US2	305	502	353	553
FW32US2	555	502	603	553
FW33US2	805	502	853	553
FW41US2	305	652	353	703
FW42US2	555	652	603	703
FW43US2	805	652	853	703
FW51US2	305	802	353	853
FW52US2	555	802	603	853
FW53US2	805	802	853	853
FW54US2	1055	802	1103	853
FW61US2	305	952	353	1003
FW62US2	555	952	603	1003
FW63US2	805	952	853	1003
FW64US2	1055	952	1103	1003
FW71US2	305	1102	353	1153
FW72US2	555	1102	603	1153
FW73US2	805	1102	853	1153



General description

Surface mounting enclosures for domestic and commercial electrical distribution.

Included in delivery

- enclosures with door,
- carrier rails with complete board,
- device covers with 46mm slots, with complete board,

Complies with

IEC 61 439-3


Nominal voltage

AC 230/400V, 50Hz

Current rating

for devices up to 125A

Protection class

II (insulation protected) 

IP rating

IP44

Protection details

Protection against direct contact: IP3X behind the door
Protection with indirect contact: insulation protection

Door

Frontal fastening, with internal hinges, all adjustable, removable without tools, optionally attachable on right or left, width from 800mm double door, opening angle 110°.

Door lock

Twist release lock, exchangeable with other locks, 3 point bar locks on double door cabinet.

quickconnect terminals or brass terminals (according to the versions)

Please contact us.

Colour

RAL 9010 (pure white)

Cable entries

Cable entry plates top and bottom made of plastic to feed in the cable from the front.

Material

Housing and door made of steel, powder coated.

Carrier rails

Steel, powder coated.

Supports

Plastic

Device rails

Steel, galvanised

Covers and knockouts

Plastic

Glow wire test for plastic parts

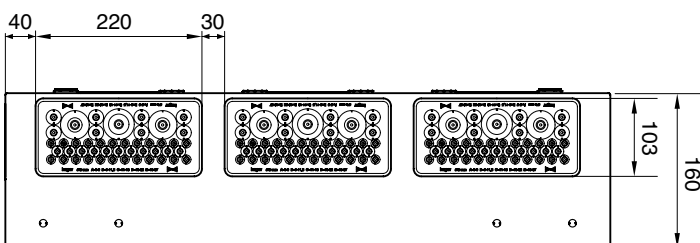
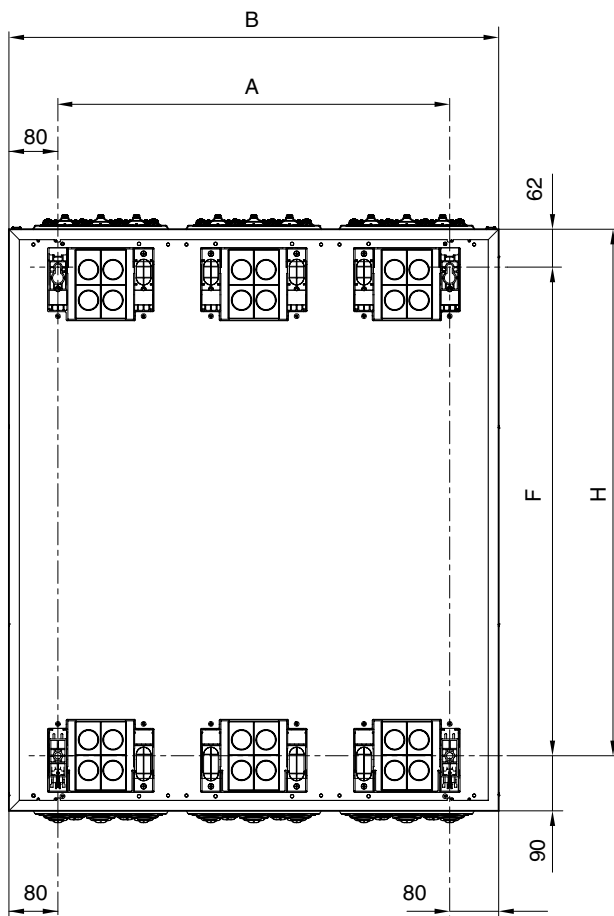
IEC 60 695-2-10

IEC 60 695-2-11: 750°C

	Height (mm)	Width (mm)	Depth (mm)	DIN rails (12 mod.)	Fields across	Nr of modules	IP class (standard)	PE/N terminals (per field)
FWB31S/GS	500	300	160	3	1	36	IP44	2x(4x25mm ² + 14x4mm ²)
FWB32S/GS	500	550	160	3	2	72	IP44	2x(4x25mm ² + 14x4mm ²)
FWB33S/GS	500	800	160	3	3	108	IP44	2x(4x25mm ² + 14x4mm ²)
FWB34S/GS	500	1050	160	3	4	144	IP44	2x(4x25mm ² + 14x4mm ²)
FWB41S/GS	650	300	160	4	1	48	IP44	2x(5x25mm ² + 17x4mm ²)
FWB42S/GS	650	550	160	4	2	96	IP44	2x(5x25mm ² + 17x4mm ²)
FWB43S/GS	650	800	160	4	3	144	IP44	2x(5x25mm ² + 17x4mm ²)
FWB44S/GS	650	1050	160	4	4	192	IP44	2x(5x25mm ² + 17x4mm ²)
FWB51S/GS	800	300	160	5	1	60	IP44	2x(6x25mm ² + 20x4mm ²)
FWB52S/GS	800	550	160	5	2	120	IP44	2x(6x25mm ² + 20x4mm ²)
FWB53S/GS	800	800	160	5	3	180	IP44	2x(6x25mm ² + 20x4mm ²)
FWB54S/GS	800	1050	160	5	4	240	IP44	2x(6x25mm ² + 20x4mm ²)
FWB61S/GS	950	300	160	6	1	72	IP44	2x(6x25mm ² + 20x4mm ²)
FWB62S/GS	950	550	160	6	2	144	IP44	2x(6x25mm ² + 20x4mm ²)
FWB63S/GS	950	800	160	6	3	216	IP44	2x(6x25mm ² + 20x4mm ²)
FWB64S/GS	950	1050	160	6	4	288	IP44	2x(6x25mm ² + 20x4mm ²)
FWB71S/GS	1100	300	160	7	1	84	IP44	2x(6x25mm ² + 20x4mm ²)
FWB72S/GS	1100	550	160	7	2	168	IP44	2x(6x25mm ² + 20x4mm ²)
FWB73S/GS	1100	800	160	7	3	252	IP44	2x(6x25mm ² + 20x4mm ²)
FWB74S/GS	1100	1050	160	7	4	336	IP44	2x(6x25mm ² + 20x4mm ²)

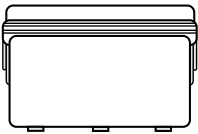
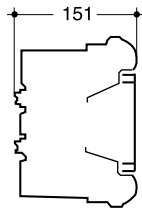
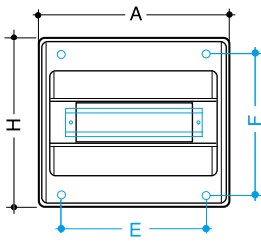
FWB surface enclosures

Dimensions (mm)



References	Dimensions			
	H	B	A	F
FWB31S/GS	500	300	348	140
FWB32S/GS	500	550	348	390
FWB33S/GS	500	800	348	640
FWB34S/GS	500	1050	348	890
FWB41S/GS	650	300	498	140
FWB42S/GS	650	550	498	390
FWB43S/GS	650	800	498	640
FWB44S/GS	650	1050	498	890
FWB51S/GS	800	300	648	140
FWB52S/GS	800	550	648	390
FWB53S/GS	800	800	648	640
FWB54S/GS	800	1050	648	890
FWB61S/GS	950	300	798	140
FWB62S/GS	950	550	798	390
FWB63S/GS	950	800	798	640
FWB64S/GS	950	1050	798	890
FWB71S/GS	1100	300	948	140
FWB72S/GS	1100	550	948	390
FWB73S/GS	1100	800	948	640
FWB74S/GS	1100	1050	948	890

vector security



Dimensions (in mm)

References	No. of rows	No. of rows	Enclosure dimension		Fixing centres	
			A	H	E	F
VE105A	6 mod.	1	165	190	108	158
VE109A	10 mod.	1	237	210	180	173

Cable entry gland sizes

Cable gland print			Delivered cable gland
References	Top and bottom prints	Side	
VE105A/U	1 x M20 + 1 x M25 + 1 x M20/32	2 x 16	2 x M20 + 2 x M25 + 1 x M32
VE109A	1 x M20/32 + 1 x M25 + 3 x M20	2 x 16	4 x M20 + 2 x M25 + 1 x M32