

# British Standard switches and sockets

Hager provides a complete range of wiring accessories to fit in homes, offices or hotels. Nice designs, wide choice of switches and colours, each product can be easily adapted to your specific needs.

Systems 8000, stylea, 9088, 10088, Metal clad, Stainless steel and IP66 range are compliant with British Standard.



system 8000	14.2
stylea	14.7
system 9088	14.13
system 10088	14.20
sollysta white moulded	14.28
sollysta decorative	14.34
sollysta grid	14.40
metal clad	14.42
IP66 range	14.43
IP66 isolators	14.44
Doorbells	14.45
Door chimes	14.45
RCD sockets	14.45
Lampholders	14.46
Floor sockets	14.46
Mounting boxes	14.47
Covers	14.47
Technical guide	14.48



XP8110  
XP8120



XP8210  
XP8220

**Single pole switches 10AX**

- 'AX' rated - No need to derate for fluorescent loads
- supplied with M3.5 x 25mm long fixing screws and screw caps
- capacity of each terminal:  
3 x 1.5mm<sup>2</sup>  
2 x 2.5mm<sup>2</sup>
- two way switches can be wired either 1 way or 2 way

- terminal markings denote:  
L1 = one way  
L2 = two way  
C = common
- material: Polycarbonate
- complies with: BS EN 60669-1, IEC 60669-1, CB certificate



XP8310  
XP8320



XP8410  
XP8420

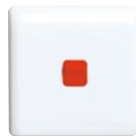


XP8510  
XP8520



XP8001

Description	Pack qty.	Cat. ref.
1 gang 1 way	10	<b>XP8110</b>
1 gang 2 way	10	<b>XP8120</b>
2 gang 1 way	10	<b>XP8210</b>
2 gang 2 way	10	<b>XP8220</b>
3 gang 1 way	10	<b>XP8310</b>
3 gang 2 way	10	<b>XP8320</b>
4 gang 1 way	10	<b>XP8410</b>
4 gang 2 way	10	<b>XP8420</b>
5 gang 1 way	10	<b>XP8510</b>
5 gang 2 way	10	<b>XP8520</b>
1 gang intermediate switch	10	<b>XP8001</b>



XP8110RED

**Red dolly series**

- please contact your local sales office for this customised product.

Description	Pack qty.	Cat. ref.
1 gang 1 way	10	<b>XP8110RED</b>



XP8910



XP8911

**Single pole bell switches 10A**

- bell push / press can be wired to make 250 V AC
- supplied with M3.5 x 25mm long fixing screws and screw caps.
- capacity of each terminal:  
3 x 1.5mm<sup>2</sup>  
2 x 2.5mm<sup>2</sup>

- material: Polycarbonate
- comply with: BS EN 60669-1, IEC 60669-1

Description	Pack qty.	Cat. ref.
marked "BELL"	10	<b>XP8910</b>
marked "PRESS"	10	<b>XP8911</b>



XP8515



XP8525

**Dimmer switches 500W 2 way switched**

- supplied with M3.5 x 25mm long fixing screws and screw caps.
- capacity of each terminal  
3 x 1.5mm<sup>2</sup> conductors  
2 x 2.5mm<sup>2</sup> conductors
- frequency 50Hz/ 60Hz
- rating 500W max
- for incandescent lamps only
- max 150W for halogen lamps
- material: polycarbonate
- comply with BS EN 60669-2-1 a.c only, IEC 60669-2-1, CB certificate

Description	Pack qty.	Cat. ref.
single dimmer	5	<b>XP8515</b>
twin dimmer	5	<b>XP8525</b>

**Fan controller**

- supplied with M3.5 x 25mm long fixing screws and screw caps.
- capacity of each terminal  
3 x 1.5mm<sup>2</sup> conductors  
2 x 2.5mm<sup>2</sup> conductors

- frequency 50Hz/ 60Hz
- material: polycarbonate
- comply with BS EN 60669-2-1 a.c only, IEC 60669-2-1, CB certificate



XP8105



XP8103

Description	Pack qty.	Cat. ref.
400VA 2 way switched	5	<b>XP8105</b>
75VA 3-speed fan control	5	<b>XP8103</b>

**Double pole control switches 20AX**

- supplied with M3.5 x 25mm long fixing screws and screw caps.
- capacity of each terminal:  
L, N: 2 x 6.0mm<sup>2</sup>  
E: 2 x 4.0mm<sup>2</sup>

- material: polycarbonate
- comply with BS EN 60669-1, IEC 60669-1, CB certificate



XR8200



XR8206

Description	Pack qty.	Cat. ref.
1 gang	10	<b>XR8200</b>
1 gang with neon	10	<b>XR8206</b>
1 gang double pole switch + 10AX single pole switch	10	<b>XR8203</b>
1 gang double pole switch + twin 10AX single pole switch	10	<b>XR8204</b>
1 gang double pole control switch with neon & flex outlet	10	<b>XR8207</b>
2 gang with neon	10	<b>XR8222</b>



XR8203



XR8204



XR8207



XR8222

**32A and 45A double pole control switches**

- with special marking
- supplied with M3.5 x 25mm long fixing screws and screw caps.
- capacity of each terminal:  
L, N: 2 x 6.0mm<sup>2</sup>  
E: 2 x 4.0mm<sup>2</sup>

- material: polycarbonate
- comply with BS EN 60669-1, IEC 60669-1, CB certificate



XR8327



XR8456

Description	Pack qty.	Cat. ref.
32A with neon	10	<b>XR8327</b>
45A with neon	10	<b>XR8457</b>
45A DP cooker unit (size 2)	5	<b>XR8456</b>



XR8457

**Double pole cooker control unit 45A**

- combined switch / sockets have double pole 45A main switch and 13A switched socket outlet.
- supplied with M3.5 x 25 mm long fixing screws and screw caps
- capacity of each terminal  
L, N: 1 x 16mm<sup>2</sup>  
E: 1 x 10mm<sup>2</sup>

- marking on cooker control units: ON, OFF and circuit identification cooker and socket.
- material: polycarbonate
- comply with BS 4177



XR8458

Description	Pack qty.	Cat. ref.
cooker control unit (size 2)	5	<b>XR8458</b>



XR8206WH



XR8206AX

**Double pole control switch with special marking**

Description	Pack qty.	Cat. ref. 20A	Cat. ref. 32A
1 gang with neon marked "Air Conditionner"	10	<b>XR8206AC</b>	<b>XR8327AC</b>
1 gang with neon marked "Cooker Hob"	10	<b>XR8206CB</b>	<b>XR8327CB</b>
1 gang with neon marked "Cooker Hood"	10	<b>XR8206CH</b>	<b>XR8327CH</b>
1 gang with neon marked "Computer Power"	10	<b>XR8206CP</b>	<b>XR8327CP</b>
1 gang with neon marked "Dryer"	10	<b>XR8206DR</b>	<b>XR8327DR</b>
1 gang with neon marked "Dish Washer"	10	<b>XR8206DW</b>	<b>XR8327DW</b>
1 gang with neon marked "Fridge"	10	<b>XR8206FR</b>	<b>XR8327FR</b>
1 gang with neon marked "20AX"	10	<b>XR8206AX</b>	-
1 gang with neon marked "Oven"	10	<b>XR8206OV</b>	<b>XR8327OV</b>
1 gang with neon marked "Water Heater"	10	<b>XR8206WH</b>	<b>XR8327WH</b>
1 gang with neon marked "Washing Machine"	10	<b>XR8206WM</b>	<b>XR8327WM</b>



XR8327DW



XT8001  
XT8002



XT8004

**Communication and data**

- supplied with M3.5 x 25 mm long fixing screws and screw caps
- material: polycarbonate

Description	Pack qty.	Cat. ref.
telephone outlet (BS style master)	10	<b>XT8001</b>
telephone outlet (BS style slave) TV	10	<b>XT8002</b>
co-axial outlet	10	<b>XT8004</b>
TV + FM connector	10	<b>XT8005</b>
RJ 45 data outlet (1 mod) Cat 5e	10	<b>XT8007</b>
RJ 45 data outlet (1 mod) Cat 6	10	<b>XT8607</b>
RJ11 telephone outlet (1 mod)	10	<b>XT8010</b>
RG6 cable TV outlet	10	<b>XT8012</b>
TV + RG 6 connector without splitter	10	<b>XT8017</b>



XT8005



XT8007  
XT8607



XT8010



XT8012



XT8017



XS8906

**5A socket outlets**

- supplied with M3.5 x 25 mm long fixing screws and screw caps
- capacity of each terminal  
L, N: 2 x 2.5mm<sup>2</sup>  
E: 3 x 1.5mm<sup>2</sup>

- integral rocker design of switched sockets provide clear red 'on' indication.
- material: polycarbonate
- complies with BS 546, SS 472

Description	Pack qty.	Cat. ref.
5A round pin switched	10	<b>XS8906</b>

### 10A socket outlets

- supplied with M3.5 x 25 mm long fixing screws and screw caps
- capacity of each terminal  
L, N: 2 x 4.0mm<sup>2</sup>  
E: 3 x 2.5mm<sup>2</sup>

- integral rocker design of switched sockets provide clear red 'on' indication.
- material: polycarbonate
- complies with IEC 60884-2-3



XS8211



XS8212

Description	Pack qty.	Cat. ref.
10A 2 pin unswitched universal socket	10	<b>XS8211</b>
10A 2 pin switched universal socket	10	<b>XS8212</b>
10A 2 pin unswitched twin universal socket	10	<b>XS8221</b>



XS8221

### 13A socket outlets

- all terminal screws upward facing for ease of installation.
- supplied with M3.5 x 25 mm long fixing screws and screw caps
- capacity of each terminal  
L, N: 2 x 4.0mm<sup>2</sup>  
E: 3 x 2.5mm<sup>2</sup>
- integral rocker design of switched sockets

- provide clear red 'on' indication.
- tough plastic back for durability.
- material: polycarbonate
- complies with BS 1363-2, SS 145-2
- sockets are with FREE dust preventive sticker to give additional protection during installation
- sockets with Red rocker switch are also available / Surcharge applies



XS8113



XS8213



XS8114



XS8214

Description	Pack qty.	Cat. ref.
13A single unswitched	10	<b>XS8113</b>
13A double unswitched (size 2)	10	<b>XS8213</b>
13A single switched, single pole	10	<b>XS8114</b>
13A twin switched (size 2), single pole	10	<b>XS8214</b>
13A single switched with neon, single pole	10	<b>XS8117</b>
13A twin switched with neon (size 2), single pole	10	<b>XS8217</b>
13A single switched, double pole	10	<b>XS8113DP</b>
13A twin switched (size 2), double pole	10	<b>XS8213DP</b>
13A twin switched socket, full red	10	<b>XS8214REDF</b>



XS8117



XS8217

### 15A and 16A socket outlets

- supplied with M3.5 x 25 mm long fixing screws and screw caps
- capacity of each terminal  
L, N: 2 x 4.0mm<sup>2</sup>  
E: 3 x 2.5mm<sup>2</sup>

- integral rocker design of switched sockets provide clear red 'on' indication.
- material: polycarbonate
- complies with BS 546, SS 472, IEC 60884 (for XS8413/ 8414), IEC 60884-1 (for XS8116IS)



XS8915



XS8916

Description	Pack qty.	Cat. ref.
15A round pin unswitched	10	<b>XS8915</b>
15A round pin switched	10	<b>XS8916</b>
16A German style socket (without shutter)	10	<b>XS8413</b>
16A German style socket (with shutter)	10	<b>XS8414</b>
16A 3 switched universal	10	<b>XS8116IS</b>
16A 3 double switched universal	10	<b>XS8216IS</b>



XS8413



XS8414

XS8116IS



XS8216



XR8130



XR8131

**Fused connection units**

- cable clamp accommodates up to 2.5mm<sup>2</sup> flexible cords
- supplied with M3.5 x 25 mm long fixing screws and screw caps
- all switched units are double pole
- all units fitted with a 13 Amp fuse link to BS 1362, can be supplied with 2 Amp, 5 Amp fuse link
- capacity of each terminal  
L, N: 3 x 4.0mm<sup>2</sup>  
E: 2 x 4.0mm<sup>2</sup>
- optional flex outlet for choice of use.
- material: polycarbonate
- complies with BS 1363-4



XR8137



XR8138

Description	Pack qty.	Cat. ref.
13A fused with flex outlet	10	<b>XR8130</b>
13A switch fused with flex outlet	10	<b>XR8131</b>
13A switch fused with neon and flex outlet	10	<b>XR8137</b>
13A fused with neon and flex outlet	10	<b>XR8138</b>



XR8250



XR8450

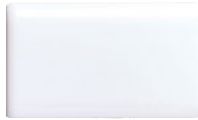
**Connection units**

- supplied with M3.5 x 25mm long fixing screws and screw caps
- material: polycarbonate
- capacity of each terminal for 25A connection unit  
L, N: 2 x 6.0mm<sup>2</sup>  
E: 2 x 6.0mm<sup>2</sup>
- capacity of each terminal for 45A connection unit  
L, N: 2 x 6.0mm<sup>2</sup>  
E: 2 x 6.0mm<sup>2</sup>
- complies with BS 5733

Description	Pack qty.	Cat. ref.
25A connection unit with flex outlet	10	<b>XR8250</b>
45A connection unit with flex outlet	10	<b>XR8450</b>



XV8101



XV8102

**Moulded blank plates**

- supplied with M3.5 x 25mm long fixing screws and screw caps
- material: polycarbonate
- complies with BS 5733

Description	Pack qty.	Cat. ref. 32A
blank plate (size 1)	20	<b>XV8101</b>
blank plate (size 2)	10	<b>XV8102</b>

## Single pole switches 10AX

- supplied with M3.5 x 25 mm long fixing screws
- 'AX' rated, no need to derate for fluorescent loads
- two way switches can be wired either 1 way or 2 way
- capacity of each terminal:  
3 x 1.5 mm<sup>2</sup>  
2 x 2.5 mm<sup>2</sup>

- terminal markings denote:  
L1 = one way  
L2 = two way  
C = common
- material: polycarbonate
- complies with BS EN 60669-1, IEC 60669-1, CB certificate

Description	Pack qty.	Cat. ref.
1 gang 1 way, large dolly	10	<b>WXEL111</b>
1 gang 2 way, large dolly	10	<b>WXEL112</b>
2 gang 1 way, large dolly	10	<b>WXEL121</b>
2 gang 2 way, large dolly	10	<b>WXEL122</b>
3 gang 1 way, large dolly	10	<b>WXEL131</b>
3 gang 2 way, large dolly	10	<b>WXEL132</b>
4 gang 2 way, large dolly	10	<b>WXEL142</b>
1 gang intermediate large dolly	10	<b>WXEL101</b>



WXEL111  
WXEL112



WXEL121  
WXEL122



WXEL131  
WXEL132



WXEL142

## Single pole bell switches 10A

- supplied with M3.5 x 25 mm long fixing screws
- capacity of each terminal:  
3 x 1.5 mm<sup>2</sup>  
2 x 2.5 mm<sup>2</sup>

- material: polycarbonate
- complies with BS EN 60669-1, IEC 60669-1, CB certificate

Description	Pack qty.	Cat. ref.
marked "BELL" large dolly	10	<b>WXEL11B</b>
marked "PRESS" large dolly	10	<b>WXEL11P</b>
2 gang marked "PRESS" large dolly	10	<b>WXEL12P</b>



WXEL11B



WXEL11P



WXEL12P

## Dimmer switches 500W 2 way switched

- supplied with M3.5 x 25 mm long fixing screws
- capacity of each terminal: 3 x 1.5mm<sup>2</sup>
- frequency 50/ 60Hz
- rating 500W max

- for incandescent lamps only
- max 150W for halogen lamps
- material: polycarbonate
- complies with BS EN 60669-2-1, IEC 60669-2-1

Description	Pack qty.	Cat. ref.
500W 2 way switched single	5	<b>WXED1R500</b>
500W 2 way switched twin	5	<b>WXED2R500</b>



WXED1R500



WXED2R500

## Fan controllers

- supplied with M3.5 x 25 mm long fixing screws
- capacity of each terminal: 3 x 1.5mm<sup>2</sup>
- material: polycarbonate

- complies with BS EN 60669-2-1, IEC 60669-2-1, IEC 60669-1 (WXEF75)

Description	Pack qty.	Cat. ref.
400W 2 way switched	5	<b>WXEF1R400</b>
75VA 3-speed fan control	5	<b>WXEF75</b>



WXEF1R400



WXEF75





WXEL2D1



WXEL2D1N

**Double pole control switches 20AX**

- supplied with M3.5 x 25mm long fixing screws and screw caps.
- capacity of each terminal:  
L, N: 2 x 4mm<sup>2</sup>  
E: 2 x 4mm<sup>2</sup>

- material: polycarbonate
- comply with BS EN 60669-1, IEC 60669-1, CB certificate



WXEL2D2



WXEL2D2N



WXEL2D12



WXEL2D12N

Description	Pack qty.	Cat. ref.
1 gang, large dolly	10	<b>WXEL2D1</b>
1 gang, large dolly with neon	10	<b>WXEL2D1N</b>
2 gang, large dolly	10	<b>WXEL2D2</b>
2 gang, large dolly with neon	10	<b>WXEL2D2N</b>
1 gang 2 way, large dolly	10	<b>WXEL2D12</b>
1 gang 2 way, large dolly with neon	10	<b>WXEL2D12N</b>



WXEL2D1NWH



WXEL2D1NAX

**Double pole 20AX control switches with special marking and (RED) neon**

Description	Pack qty.	Cat. ref.
20AX 1 gang, large dolly marked "Water Heater"	10	<b>WXEL2D1NWH</b>
20AX 1 gang, large dolly marked "Air Conditioner"	10	<b>WXEL2D1NAC</b>
20AX 1 gang, large dolly marked "Cooker Hob"	10	<b>WXEL2D1NCB</b>
20AX 1 gang, large dolly marked "Cooker Hood"	10	<b>WXEL2D1NCH</b>
20AX 1 gang, large dolly marked "Computer Power"	10	<b>WXEL2D1NCP</b>
20AX 1 gang, large dolly marked "Dryer"	10	<b>WXEL2D1NDR</b>
20AX 1 gang, large dolly marked "Dish Washer"	10	<b>WXEL2D1NDW</b>
20AX 1 gang, large dolly marked "Fridge"	10	<b>WXEL2D1NFR</b>
20AX 1 gang, large dolly marked "20AX"	10	<b>WXEL2D1NAX</b>
20AX 1 gang, large dolly marked "Oven"	10	<b>WXEL2D1NOV</b>
20AX 1 gang, large dolly marked "Washing Machine"	10	<b>WXEL2D1NWM</b>



WXER32D1  
WXER45D1



WXER45D2

**Double pole control switches 32A and 45A**

- supplied with M3.5 x 25 mm long fixing screws
- material: polycarbonate
- capacity of each terminal:  
L, N: 1 X 16.0 mm<sup>2</sup>  
E: 2 X 16.0 mm<sup>2</sup>

- complies with BS EN 60669-1, IEC 60669-1, CB certificate

Description	Pack qty.	Cat. ref.
32A with neon	10	<b>WXER32D1</b>
45A with neon	10	<b>WXER45D1</b>
45A with neon (size 2)	5	<b>WXER45D2</b>



WXER45CCU

**Double pole cooker control unit 45A**

- supplied with M3.5 x 25 mm long fixing screws
- capacity of each terminal:  
L, N: 1 x 16 mm<sup>2</sup>  
E: 1 x 10 mm<sup>2</sup>
- marking on cooker control units: ON, OFF and circuit identification cooker and socket

- combined switch / sockets have double pole 45A main switch & 13A switched socket outlet
- material: polycarbonate
- complies with BS 4177

Description	Pack qty.	Cat. ref.
cooker control unit (size 2)	5	<b>WXER45CCU</b>

## Communication and data

- supplied with M3.5 x 25 mm long fixing screws
- material: polycarbonate

Description	Pack qty.	Cat. ref.
telephone outlet (BS style master)	10	<b>WXET1M</b>
telephone outlet (BS style slave)	10	<b>WXET1S</b>
FM co-axial outlet	10	<b>WXETFM75</b>
TV co-axial outlet	10	<b>WXETV75</b>
TV + FM splitter isolator SCV outlet (size 2)	10	<b>WXETVFM2</b>
TV + FM connector	10	<b>WXETVFM</b>
TV + FM outlet with splitter	10	<b>WXETVFMWS</b>
RJ45 data outlet (1 mod) Cat 5e	10	<b>WXET1RJ5</b>
RJ45 data outlet (2 mod) Cat 5e	10	<b>WXET2RJ5</b>
RJ45 data outlet (1 mod) Cat 6	10	<b>WXET1RJ6</b>
RJ45 data outlet (2 mod) Cat 6	10	<b>WXET2RJ6</b>
RJ11 telephone + RJ45 data outlet Cat 5e	10	<b>WXETD</b>
RJ11 telephone outlet (1 mod)	10	<b>WXET1RJ</b>
RJ11 telephone outlet (2 mod)	10	<b>WXET2RJ</b>
RG6 cable TV outlet	10	<b>WXETV75F</b>
branching terminal 5-pair tel. terminal	10	<b>WXETBT5</b>
TV + RG6 connector without splitter	10	<b>WXETV75R</b>
2A telephone socket with shutter	10	<b>WXET2A</b>
TV + FM outlet (master)	10	<b>WXETVFM</b>
TV + FM outlet (slave)	10	<b>WXETVFMWS</b>



WXET1M      WXET1S



WXETFM75      WXETV75



WXETVFM2



WXETVFM      WXETVFMWS



WXET1RJ5      WXET2RJ5  
WXET1RJ6      WXET2RJ6



WXETD      WXET1RJ



WXET2RJ      WXETV75F



WXETBT5      WXETV75R



WXET2A      WXETVFM  
WXETVFMWS

BS switches and sockets



WXEHKT



WXEHDC

**Hotel range**

- supplied with M3.5 x 25 mm long fixing screws
- material: polycarbonate
- complies with BS EN 60669-1, IEC 60669-1

Description	Pack qty.	Cat. ref.
Key tag switch with key card (time delay 60s)	5	<b>WXEHKT</b>
"DND" & "Please clean up" switches with (RED) neon	10	<b>WXEHDC</b>
"DND" & "Please clean up" indication box with door bell switch	10	<b>WXEHBD</b>



WXEHBD



WXES105



WXES105S

**5A socket outlets**

- supplied with M3.5 x 25 mm long fixing screws
- capacity of each terminal  
L, N: 3 x 2.5 mm<sup>2</sup>  
E: 4 x 1.5 mm<sup>2</sup>

- integral rocker design of switched sockets provides clear red 'on' indication
- material: polycarbonate
- complies with BS 546, SS 472

Description	Pack qty.	Cat. ref.
5A round pin unswitched	10	<b>WXES105</b>
5A round pin switched	10	<b>WXES105S</b>



WXES10U



WXES10US

**10A socket outlets**

- supplied with M3.5 x 25 mm long fixing screws
- capacity of each terminal  
L, N: 2 x 4.0 mm<sup>2</sup>  
E: 3 x 2.5 mm<sup>2</sup>

- integral rocker design of switched sockets provides clear red 'on' indication
- material: polycarbonate
- complies with IEC 60884-2-3

Description	Pack qty.	Cat. ref.
10A 2 pin unswitched universal	10	<b>WXES10U</b>
10A 2 pin switched universal	10	<b>WXES10US</b>
10A 2 pin unswitched twin universal	10	<b>WXES10U2</b>



WXES10U2



WXES113



WXES213

**13A socket outlets**

- supplied with M3.5 x 25 mm long fixing screws
- capacity of each terminal  
L, N: 2 x 4.0 mm<sup>2</sup>  
E: 3 x 2.5 mm<sup>2</sup>

- material: polycarbonate
- complies with BS 1363-2, SS 145-2
- sockets are supplied with free dust damage prevention sticker to give additional protection during installation.
- sockets with red rocker are also available/ surcharge applies.

- integral rocker design of switched sockets provides clear red 'on' indication
- tough plastic back for durability
- all terminal screws are facing upward for ease of installation

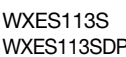
Description	Pack qty.	Cat. ref.
13A single unswitched	10	<b>WXES113</b>
13A twin unswitched (size 2)	10	<b>WXES213</b>
13A single switched, single pole	10	<b>WXES113S</b>
13A twin switched (size 2), single pole	10	<b>WXES213S</b>
13A single switched with neon, single pole	10	<b>WXES113N</b>
13A twin switched with neon (size 2), single pole	10	<b>WXES213N</b>
13A single switched, double pole	10	<b>WXES113SDP</b>
13A twin switched (size 2), double pole	10	<b>WXES213SDP</b>



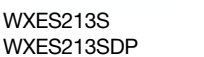
WXES113S



WXES213S



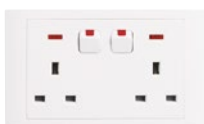
WXES113SDP



WXES213SDP



WXES113N



WXES213N

## 15A and 16A socket outlets

- supplied with M3.5 x 25 mm long fixing screws
- capacity of each terminal  
L, N: 2 x 4.0 mm<sup>2</sup>  
E: 3 x 2.5 mm<sup>2</sup>
- integral rocker design of switched sockets provides clear red 'on' indication

- material: polycarbonate
- complies with BS 546, SS 472, IEC 60884 (for WXES116/ 116S), IEC 60884-1 (for WXES116IS)

Description	Pack qty.	Cat. ref.
15A round pin unswitched	10	<b>WXES115</b>
15A round pin switched	10	<b>WXES115S</b>
16A German style socket (without shutter)	10	<b>WXES116</b>
16A German style socket (with shutter)	10	<b>WXES116S</b>
16A 3 pin switched universal	10	<b>WXES116IS</b>
16A 3 pin double switched universal	10	<b>WXES216IS</b>



WXES115



WXES115S



WXES116  
WXES116S



WXES116IS



WXES216IS

## Shaver socket

- designed for use in bathrooms and washrooms and incorporates an earth free supply
- input: 230V a.c.
- output dual
- voltage: 230V a.c. and 115V a.c.
- outlets rating: 20VA on either voltage
- primary circuit is protected by a self-resetting thermal overload device

- insertion of shaver plug automatically switches on the transformer, removal automatically switches it off
- supplied with M3.5 x 25 mm long fixing screws
- capacity of each terminal: 2 x 2.5 mm<sup>2</sup>
- material: polycarbonate
- complies with BS EN 61558-2-5, IEC 61558-2-5



WXES200

Description	Pack qty.	Cat. ref.
shaver socket 115V /230V [20VA] (size 2)	1	<b>WXES200</b>

## Fused connection units

- supplied with M3.5 x 25 mm long fixing screws
- all switched units are double pole
- all units fitted with a 13A fuse link to BS 1362, can be supplied with 2A, 5A fuse link.
- cable clamp accommodates up to 2.5 mm<sup>2</sup> flexible cord

- capacity of each terminal  
L, N: 3 x 4.0 mm<sup>2</sup>  
E: 2 x 4.0 mm<sup>2</sup>
- optional flex outlet for choice of use
- material: polycarbonate
- complies with BS 1363-4

Description	Pack qty.	Cat. ref.
13A fused with flex outlet	10	<b>WXER13</b>
13A fused with neon and flex outlet	10	<b>WXER13N</b>
13A switched fused with flex outlet	10	<b>WXER13S</b>
13A switched fused with neon and flex outlet	10	<b>WXER13SN</b>



WXER13



WXER13N



WXER13S



WXER13SN

## Connection unit

- supplied with M3.5 x 25 mm long fixing screws
- capacity of each terminal  
L, N: 2 x 6.0 mm<sup>2</sup>  
E: 2 x 6.0 mm<sup>2</sup>

- material: polycarbonate
- complies with BS 5733



WXER25

Description	Pack qty.	Cat. ref.
25A connection unit with flex outlet	10	<b>WXER25</b>

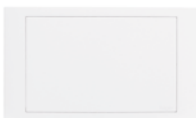


WXEV1

**Moulded blank plates**

- supplied with M3.5 x 25 mm long fixing screws
- complies with BS 5733

Description	Pack qty.	Cat. ref.
blank plate (size 1)	20	<b>WXEV1</b>
blank plate (size 2)	10	<b>WXEV2</b>



WXEV2



WXEC1

**Decoration covers**

Description	Pack qty.	Cat. ref.
1 gang clip on cover (size 1)	20	<b>WXEC1</b>
2 gang clip on cover (size 2)	10	<b>WXEC2</b>



WXEC2



WXEVE2



WXEVE3

**Euro accommodation plates**

- 1 module = 22.5 x 45mm
- for 45x45 modules, see page 14.25

Description	Pack qty.	Cat. ref.
accommodation plate (for 2 modules)	20	<b>WXEVE2</b>
accommodation plate (for 3 modules)	10	<b>WXEVE3</b>

### Single pole switches 10AX

- supplied with M3.5 x 25mm long fixing screws.
- switches with neon for illuminated identification in the dark environment.
- two way switches can be wired either 1 way or 2 way.
- terminal markings denote:
  - L1 = one way
  - L2 = two way
  - C = common

- 'AX' rated - No need to derate for fluorescent loads
- material: polycarbonate
- capacity of each terminal
  - 3 x 1.5mm<sup>2</sup>
  - 2 x 2.5mm<sup>2</sup>
- comply with BS EN 60669-1, IEC 60669-1, CB certificate

Description	Pack qty.	Cat. ref.
1 gang 1 way, large dolly	10	<b>XL9110</b>
1 gang 2 way, large dolly	10	<b>XL9120</b>
2 gang 1 way, large dolly	10	<b>XL9210</b>
2 gang 2 way, large dolly	10	<b>XL9220</b>
3 gang 1 way, large dolly	10	<b>XL9310</b>
3 gang 2 way, large dolly	10	<b>XL9320</b>
4 gang 1 way, large dolly (size 2)	10	<b>XL9410</b>
4 gang 2 way, large dolly (size 2)	10	<b>XL9420</b>
6 gang 1 way (size 2)	10	<b>XL9610</b>
6 gang 2 way (size 2)	10	<b>XL9620</b>
8 gang 1 way (size 2)	10	<b>XL9810</b>
8 gang 2 way (size 2)	10	<b>XL9820</b>
1 gang intermediate large dolly	10	<b>XL9001</b>



### Single pole switches 10AX with neon

Description	Pack qty.	Cat. ref.
1 gang 1 way, large dolly with neon	10	<b>XL9117</b>
1 gang 2 way, large dolly with neon	10	<b>XL9127</b>
2 gang 1 way, large dolly with neon	10	<b>XL9217</b>
2 gang 2 way, large dolly with neon	10	<b>XL9227</b>
3 gang 1 way, large dolly with neon	10	<b>XL9317</b>
3 gang 2 way, large dolly with neon	10	<b>XL9327</b>



### Single pole bell switches 10A

- supplied with M3.5 x 25mm long fixing screws.
- capacity of each terminal
  - 3 x 1.5mm<sup>2</sup>
  - 2 x 2.5mm<sup>2</sup>
- material: polycarbonate

Description	Pack qty.	Cat. ref.
marked bell large dolly	10	<b>XL9910</b>
marked press large dolly	10	<b>XL9911</b>
without marking large dolly	10	<b>XL9911NM</b>





XP9515

XP9525

**Dimmer switches**

- supplied with M3.5 x 25mm long fixing screws.
- capacity of each terminal:  
3 x 1.5mm<sup>2</sup>  
2 x 2.5mm<sup>2</sup>
- dimmer can control incandescent lamps only (for XP9515)
- dimmers can control incandescent lamps and max 150W halogen lamps (for XP9515 & XP9525)
- frequency: 50/ 60Hz
- material: polycarbonate
- complies with BS EN 60669-2-1, IEC 60669-2-1

Description	Pack qty.	Cat. ref.
500W 2 way switched single	10	<b>XP9515</b>
500W 2 way switched twin	10	<b>XP9525</b>



XP9105

**Fan controller**

- supplied with M3.5 x 25mm long fixing screws.
- capacity of each terminal:  
3 x 1.5mm<sup>2</sup>  
2 x 2.5mm<sup>2</sup>
- frequency: 50/ 60Hz
- material: polycarbonate
- complies with BS EN 60669-2-1, IEC 60669-2-1

Description	Pack qty.	Cat. ref.
400W 2 way switched	10	<b>XP9105</b>



XL9200

XL9221

**Double pole control switches 20AX**

- supplied with M3.5 x 25mm long fixing screws.
- capacity of each terminal  
L, N: 2 x 4 mm<sup>2</sup>  
E: 2 x 4 mm<sup>2</sup>
- material: polycarbonate
- complies with BS EN 60669-1, IEC 60669-1, CB certificate

Description	Pack qty.	Cat. ref.
1 gang, large dolly	10	<b>XL9200</b>
2 gang, large dolly	10	<b>XL9221</b>
1 gang, large dolly with neon	10	<b>XL9206</b>
2 gang, large dolly with neon	10	<b>XL9222</b>



XL9206

XL9222

**Double pole control 20AX switches with special marking**



XL9206WH

XL9206AX

Description	Pack qty.	Cat. ref.	
		1 gang	2 gang
large dolly with neon marked "Air Conditionner"	10	<b>XL9206AC</b>	<b>XL9222AC</b>
large dolly with neon marked "Cooker Hob"	10	<b>XL9206CB</b>	<b>XL9222CB</b>
large dolly with neon marked "Cooker Hood"	10	<b>XL9206CH</b>	<b>XL9222CH</b>
large dolly with neon marked "Computer Power"	10	<b>XL9206CP</b>	<b>XL9222CP</b>
large dolly with neon marked "Dryer"	10	<b>XL9206DR</b>	<b>XL9222DR</b>
large dolly with neon marked "Dish Washer"	10	<b>XL9206DW</b>	<b>XL9222DW</b>
large dolly with neon marked "Fridge"	10	<b>XL9206FR</b>	<b>XL9222FR</b>
large dolly with neon marked "20AX"	10	<b>XL9206AX</b>	<b>XL9222AX</b>
large dolly with neon marked "Oven"	10	<b>XL9206OV</b>	<b>XL9222OV</b>
large dolly with neon marked "Water Heater"	10	<b>XL9206WH</b>	<b>XL9222WH</b>
large dolly with neon marked "Washing Machine"	10	<b>XL9206WM</b>	<b>XL9222WM</b>



XL9222WM

**Double pole control switches 32A and 45A**

- supplied with M3.5 x 25mm long fixing screws.
- capacity of each terminal  
L, N: 1 x 16 mm<sup>2</sup>  
E: 2 x 16 mm<sup>2</sup>

- material: polycarbonate
- complies with BS EN 60669-1, IEC 60669-1, CB certificate

Description	Pack qty.	Cat. ref.
32A with neon	10	<b>XR9327</b>
45A with neon	10	<b>XR9457</b>
45A DP cooker unit (size 2)	10	<b>XR9456</b>



XR9327



XR9457



XR9456

**Double pole cooker control unit**

- supplied with M3.5 x 25mm long fixing screws.
- capacity of each terminal  
L, N: 1 x 16 mm<sup>2</sup>  
E: 1 x 10 mm<sup>2</sup>
- combined switch / sockets have double pole 45A main switch and 13A switched socket outlet

- marking on cooker control units: ON, OFF and circuit identification cooker and socket
- material: polycarbonate
- complies with BS 4177

Description	Pack qty.	Cat. ref.
cooker control unit (size 2)	5	<b>XR9458</b>



XR9458

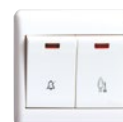
**Hotel range**

- supplied with M3.5 x 25 mm long fixing screws and screw caps
- material: polycarbonate
- comply with BS EN 60669-1, IEC 60669-1

Description	Pack qty.	Cat. ref.
key tag switch with key card (time delay 60s)	5	<b>XH9001</b>
key card only	5	<b>XH9001CARD</b>
"DND" & "Please clean up" switches with (RED) neon	10	<b>XH9002</b>
"DND" & "Please clean up" indication box with door bell switch	10	<b>XH9003</b>



XH9001



XH9002



XH9003





XT9001



XT9002



XT9003



XT9004



XT9005



XT9006



XT9025



XT9007  
XT9607



XT9008  
XT9608



XT9009



XT9010



XT9011



XT9012



XT9013



XT9014



XT9015



XT9016



XT9017

**Communication and data**

- supplied with M3.5 x 25 mm long fixing screws and screw caps
- material: polycarbonate

Description	Pack qty.	Cat. ref.
telephone outlet (BS style master)	10	<b>XT9001</b>
telephone outlet (BS style slave)	10	<b>XT9002</b>
FM co-axial outlet	10	<b>XT9003</b>
TV co-axial outlet	10	<b>XT9004</b>
TV + FM connector	10	<b>XT9005</b>
TV + FM splitter isolator SCV outlet (size 2) (blank plate only)	10	<b>XT9025</b>
TV + FM outlet with splitter	10	<b>XT9006</b>
RJ45 data outlet (1 mod) Cat 5e	10	<b>XT9007</b>
RJ45 data outlet (2 mod) Cat 5e	10	<b>XT9008</b>
RJ45 data outlet (1 mod) Cat 6	10	<b>XT9607</b>
RJ45 data outlet (2 mod) Cat 6	10	<b>XT9608</b>
RJ11 telephone + RJ45 data outlet	10	<b>XT9009</b>
RJ11 telephone outlet (1 mod)	10	<b>XT9010</b>
RJ11 telephone outlet (2 mod)	10	<b>XT9011</b>
RG6 cable TV outlet	10	<b>XT9012</b>
branching terminal 5-pair tel. terminal	10	<b>XT9013</b>
2A telephone socket with shutter	10	<b>XT9014</b>
TV + FM outlet (Master)	10	<b>XT9015</b>
TV + FM outlet (Slave)	10	<b>XT9016</b>
TV + RG6 connector without splitter	10	<b>XT9017</b>

**Shaver socket**

- designed for use in bathrooms and washrooms and incorporates an earth free supply
- input: 230 V AC
- output: dual voltage 230V a.c. and 115 V AC outlets rating 20VA on either voltage
- supplied with M3.5 x 25 mm long fixing screws
- primary circuit is protected by a self-resetting thermal overload device

- insertion of shaver plug automatically switches on the transformer, removal automatically switches it off
- a positive interlock prevents 2 plugs being inserted simultaneously
- capacity of each terminal: 2 x 2.5 mm<sup>2</sup>
- material: polycarbonate
- complies with BS EN 61558-2-5, IEC 61558-2-5



XS9200

Description	Pack qty.	Cat. ref.
shaver socket 115V / 230V [20VA] (size 2)	1	<b>XS9200</b>

**5A socket outlets**

- supplied with M3.5 x 25 mm long fixing screws
- capacity of each terminal  
L, N: 2 x 2.5 mm<sup>2</sup>  
E: 3 x 1.5 mm<sup>2</sup>

- integral rocker design of switched sockets provides clear red 'on' indication
- material: polycarbonate
- complies with BS 546, SS 472



XS9905



XS9906

Description	Pack qty.	Cat. ref.
5A round pin unswitched	10	<b>XS9905</b>
5A round pin switched	10	<b>XS9906</b>

**10A socket outlet**

- supplied with M3.5 x 25 mm long fixing screws
- capacity of each terminal  
L, N: 2 x 4.0 mm<sup>2</sup>  
E: 3 x 2.5 mm<sup>2</sup>

- integral rocker design of switched sockets provides clear red 'on' indication
- material: polycarbonate
- complies with IEC 60884-2-3



XS9211



XS9212

Description	Pack qty.	Cat. ref.
10A 2 pin unswitched universal	10	<b>XS9211</b>
10A 2 pin switched universal	10	<b>XS9212</b>
10A 2 pin unswitched twin universal	10	<b>XS9221</b>



XS9221



XS9113



XS9213

**13A socket outlet**

- supplied with M3.5 x 25 mm long fixing screws
- capacity of each terminal  
L, N: 2 x 4.0 mm<sup>2</sup>  
E: 3 x 2.5 mm<sup>2</sup>
- integral rocker design of switched sockets provides clear red 'on' indication
- tough plastic back for durability
- all terminal screws are facing upward for ease of

- installation
- material: polycarbonate
- complies with BS 1363-2, SS 145-2
- socket are supplied with free dust damage prevention sticker to give additional protection during installation.
- sockets with red rocker are also available/ surcharge applies.



XS9114



XS9214



XS9117



XS9217



XS9113DP



XS9213DP

Description	Pack qty.	Cat. ref.
13A single unswitched	10	<b>XS9113</b>
13A twin unswitched (size 2)	10	<b>XS9213</b>
13A single switched	10	<b>XS9114</b>
13A twin switched (size 2)	10	<b>XS9214</b>
13A single switched with neon	10	<b>XS9117</b>
13A twin switched with neon (size 2)	10	<b>XS9217</b>
13A single switched, double pole	10	<b>XS9113DP</b>
13A twin switched (size 2), double pole	10	<b>XS9213DP</b>



XS9915



XS9916

**15A and 16A socket outlet**

- supplied with M3.5 x 25 mm long fixing screws
- capacity of each terminal  
L, N: 2 x 4.0 mm<sup>2</sup>  
E: 3 x 2.5 mm<sup>2</sup>
- integral rocker design of switched sockets provides clear red 'on' indication

- material: polycarbonate
- complies with BS 546, SS 472, IEC 60884 (for XS9413/9414), IEC 60884-1 (for XS9116IS)



XS9413  
XS9414

Description	Pack qty.	Cat. ref.
15A round pin unswitched socket	10	<b>XS9915</b>
15A round pin switched socket	10	<b>XS9916</b>
16A German style (without shutter) socket	10	<b>XS9413</b>
16A German style (with shutter) socket	10	<b>XS9414</b>
16A 3 pin switched universal socket	10	<b>XS9116IS</b>

### Fused connection units

- supplied with M3.5 x 25 mm long fixing screws
- all switched units are double pole
- all units fitted with a 13A fuse link to BS 1362, can be supplied with 2A, 5A fuse link.
- cable clamp accommodates up to 2.5 mm<sup>2</sup> flexible cord
- capacity of each terminal  
L, N: 3 x 4.0 mm<sup>2</sup>  
E: 2 x 4.0 mm<sup>2</sup>
- optional flex outlet for choice of use
- material: polycarbonate
- complies with BS 1363-4



XR9130  
XR91302  
XR91305



XR9131  
XR91312  
XR91315

Description	Pack qty.	Cat. ref.
13A fused with flex outlet	10	<b>XR9130</b>
13A switched fused with flex outlet	10	<b>XR9131</b>
13A switched fused with neon and flex outlet	10	<b>XR9137</b>
13A fused with neon and flex outlet	10	<b>XR9138</b>
2A fused with flex outlet	10	<b>XR91302</b>
2A switched fused with flex outlet	10	<b>XR91312</b>
2A switched fused with neon and flex outlet	10	<b>XR91372</b>
2A fused with neon and flex outlet	10	<b>XR91382</b>
5A fused with flex outlet	10	<b>XR91305</b>
5A switched fused with flex outlet	10	<b>XR91315</b>
5A switched fused with neon and flex outlet	10	<b>XR91375</b>
5A fused with neon and flex outlet	10	<b>XR91385</b>



XR9137  
XR91372  
XR91375



XR9138  
XR91382  
XR91385

### Connection units

- supplied with M3.5 x 25 mm long fixing screws
- capacity of each terminal for 25A connection unit  
L, N: 2 x 6.0 mm<sup>2</sup>  
E: 2 x 6.0 mm<sup>2</sup>
- capacity of each terminal for 45A connection unit  
L, N: 2 x 6.0 mm<sup>2</sup>  
E: 2 x 6.0 mm<sup>2</sup>
- material: polycarbonate
- complies with BS 5733



XR9250



XR9450

Description	Pack qty.	Cat. ref.
25A connection unit with flex outlet	10	<b>XR9250</b>
45A connection unit with flex outlet	10	<b>XR9450</b>

### Blank plates

- supplied with M3.5 x 25 mm long fixing screws
- material: polycarbonate
- complies with BS 5733



XV9101



XV9102

Description	Pack qty.	Cat. ref.
blank plate (size 1)	10	<b>XV9101</b>
blank plate (size 2)	10	<b>XV9102</b>



WGL111  
WGL112



WGL121  
WGL122



WGL131  
WGL132



WGL101

**Single pole switches with fluorescent strips 10AX**

- supplied with M3.5 x 25 mm long fixing screws
- all switches without LED have glow in the dark fluorescent indicators
- 'AX' rated - No need to derate for fluorescent loads
- two way switches can be wired either 1 way or 2 way.
- terminal markings denote:  
L1 = one way  
L2 = two way  
C = common
- capacity of each terminal  
3 x 1.5mm<sup>2</sup>  
2 x 2.5mm<sup>2</sup>
- material: polycarbonate
- complies with BS EN 60669-1, IEC 60669-1, CB certificate
- if "ON" indicator is required, extra loop terminal is needed for wiring / surcharge applies

Description	Pack qty.	Cat. ref.
1 gang 1 way, large dolly	10	<b>WGL111</b>
1 gang 2 way, large dolly	10	<b>WGL112</b>
2 gang 1 way, large dolly	10	<b>WGL121</b>
2 gang 2 way, large dolly	10	<b>WGL122</b>
3 gang 1 way, large dolly	10	<b>WGL131</b>
3 gang 2 way, large dolly	10	<b>WGL132</b>
1 gang intermediate large dolly	10	<b>WGL101</b>



WGL112N



WGL122N



WGL132N

**Single pole switches with LED 10AX**

- supplied with M3.5 x 25 mm long fixing screws
- switches available with Blue LED for illuminated identification in a dark environment
- all switches with LED are pre-wired as location indicator
- 'AX' rated - No need to derate for fluorescent loads
- two way switches can be wired either 1 way or 2 way.
- terminal markings denote:  
L1 = one way  
L2 = two way  
C = common
- capacity of each terminal  
3 x 1.5mm<sup>2</sup>  
2 x 2.5mm<sup>2</sup>
- material: polycarbonate
- complies with BS EN 60669-1, IEC 60669-1, CB certificate
- if "ON" indicator is required, extra loop terminal is needed for wiring / surcharge applies

Description	Pack qty.	Cat. ref.
1 gang 1 way, large dolly	10	<b>WGL111N</b>
1 gang 2 way, large dolly	10	<b>WGL112N</b>
2 gang 1 way, large dolly	10	<b>WGL121N</b>
2 gang 2 way, large dolly	10	<b>WGL122N</b>
3 gang 1 way, large dolly	10	<b>WGL131N</b>
3 gang 2 way, large dolly	10	<b>WGL132N</b>



WGL11B



WGL11P



WGL12P

**Single pole bell switches with fluorescent strips 10A**

- supplied with M3.5 x 25mm long fixing screws.
- material: polycarbonate
- capacity of each terminal  
3 x 1.5mm<sup>2</sup>  
2 x 2.5mm<sup>2</sup>
- complies with BS EN 60669-1, IEC 60669-1, CB certificate

Description	Pack qty.	Cat. ref.
marked "BELL" large dolly	10	<b>WGL11B</b>
marked "PRESS" large dolly	10	<b>WGL11P</b>
2 gang marked "PRESS" large dolly	10	<b>WGL12P</b>

**Double pole control switches 20AX**

- supplied with M3.5 x 25mm long fixing screws.
- material: polycarbonate
- capacity of each terminal  
L, N: 2 x 4.0mm<sup>2</sup>  
E: 2 x 4.0mm<sup>2</sup>

- complies with BS EN 60669-1, IEC 60669-1, CB certificate

Description	Pack qty.	Cat. ref.
1 gang, large dolly	10	<b>WGL2D1</b>
1 gang, large dolly with neon	10	<b>WGL2D1N</b>
2 gang, large dolly	10	<b>WGL2D2</b>
2 gang, large dolly with neon	10	<b>WGL2D2N</b>
1 gang 2 way, large dolly	10	<b>WGL2D12</b>
1 gang, 2 way, large dolly with neon	10	<b>WGL2D12N</b>



**Double pole control switch with special marking and (RED) neon**

Description	Pack qty.	Cat. ref.
20AX 1 gang, large dolly marked "Water Heater"	10	<b>WGL2D1NWH</b>
20AX 1 gang, large dolly marked "Air Conditioner"	10	<b>WGL2D1NAC</b>
20AX 1 gang, large dolly marked "Cooker Hob"	10	<b>WGL2D1NCB</b>
20AX 1 gang, large dolly marked "Cooker Hood"	10	<b>WGL2D1NCH</b>
20AX 1 gang, large dolly marked "Computer Power"	10	<b>WGL2D1NCH</b>
20AX 1 gang, large dolly marked "Dryer"	10	<b>WGL2D1NDR</b>
20AX 1 gang, large dolly marked "Dish Washer"	10	<b>WGL2D1NDW</b>
20AX 1 gang, large dolly marked "Fridge"	10	<b>WGL2D1NFR</b>
20AX 1 gang, large dolly marked "20AX"	10	<b>WGL2D1NAX</b>
20AX 1 gang, large dolly marked "Oven"	10	<b>WGL2D1NOV</b>
20AX 1 gang, large dolly marked "Washing machine"	10	<b>WGL2D1NWM</b>



BS switches and sockets

**32A and 45A double pole control switches**

- supplied with M3.5 x 25mm long fixing screws and screw caps
- material: polycarbonate
- capacity of each terminal  
L, N: 1 x 16.0mm<sup>2</sup>  
E: 2 x 16.0mm<sup>2</sup>

- comply with BS EN 60669-1, IEC 60669-1, CB certificate

Description	Pack qty.	Cat. ref.
32A with (RED) neon	10	<b>WGR32D1</b>
45A with (RED) neon	10	<b>WGR45D1</b>
45A DP cooker unit (size 2)	10	<b>WGR45D2</b>



**Cooker control unit**

- supplied with M3.5 x 25mm long fixing screws and screw caps
- combined switch / sockets have double pole 45A main switch and 13A switched socket outlet
- marking on cooker control units: ON, OFF and circuit identification cooker and socket.

- material: polycarbonate
- capacity of each terminal  
L, N: 1 x 16mm<sup>2</sup>  
E: 1 x 10mm<sup>2</sup>
- comply with BS 4177

Description	Pack qty.	Cat. ref.
double pole cooker control unit 45A (size 2)	10	<b>WGR45CCU</b>

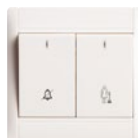




WGHKT

**Hotel range**

- supplied with M3.5 x 25 mm long fixing screws
- material: polycarbonate
- complies with BS EN 60669-1, IEC 60669-1



WGHDC



WGHBD

Description	Pack qty.	Cat. ref.
key tag switch with key card (time delay 60s)	5	<b>WGHKT</b>
"DND" & "Please clean up" switches with (RED) neon(Inside the room)	10	<b>WGHDC</b>
"DND" & "Please clean up" indication box with door bell switch (outside the room)	10	<b>WGHBD</b>



WGT1M



WGT1S

**Communication and data**

- supplied with M3.5 x 25 mm long fixing screws
- material: polycarbonate



WGT1S



WGTVM2

Description	Pack qty.	Cat. ref.
telephone outlet (BS style master)	10	<b>WGT1M</b>
telephone outlet (BS style slave)	10	<b>WGT1S</b>
TV co-axial outlet	10	<b>WGTV75</b>
TV + FM splitter isolator SCV outlet (size 2)	10	<b>WGTVM2</b>
RJ45 data outlet (1 mod) Cat 5e	10	<b>WGT1RJ5</b>
RJ45 data outlet (2 mod) Cat 5e	10	<b>WGT2RJ5</b>
RJ45 data outlet (1 mod) Cat 6	10	<b>WGT1RJ6</b>
RJ45 data outlet (2 mod) Cat 6	10	<b>WGT2RJ6</b>
RJ11 + RJ45 data outlet	10	<b>WGTD</b>
RJ11 data outlet (1 mod)	10	<b>WGT1RJ</b>
RJ11 data outlet (2 mod)	10	<b>WGT2RJ</b>
RG6 cable TV outlet	10	<b>WGTV75F</b>
branching terminal 5-pair tel. terminal	10	<b>WGTBT5</b>
TV + RG6 connector without splitter	10	<b>WGTV75R</b>



WGT1RJ5 /  
WGT1RJ6



WGT2RJ5 /  
WGT2RJ6



WGTD



WGT1RJ



WGT2RJ



WGTV75F



WGTBT5



WGTV75R



WGS200

**Shaver socket**

- supplied with M3.5 x 25mm long fixing screws
- input: 230 V AC
- output dual voltage 230 V AC and 115 V AC
- outlets rating: 20VA on either voltage
- designed for use in bathrooms and washrooms and incorporates an earth free supply
- primary circuit is protected by a self-resetting thermal overload device

- insertion of shaver plug automatically switches on the transformer, removal automatically switches it off
- a positive interlock prevents 2 plugs being inserted simultaneously
- capacity of each terminal: 2 x 2.5mm<sup>2</sup>
- material: polycarbonate
- complies with BS EN 61558-2-5, IEC 61558-2-5

Description	Pack qty.	Cat. ref.
shaver socket 115V /230V [20VA] (size 2)	1	<b>WGS200</b>

**5A socket outlets**

- supplied with M3.5 x 25mm long fixing screws
- capacity of each terminal
  - L, N: 3 x 2.5mm<sup>2</sup>
  - E: 4 x 1.5mm<sup>2</sup>

- integral rocker design of switched sockets provide clear red 'on' indication
- material: polycarbonate
- complies with BS 546, SS 472



WGS105

WGS105S

Description	Pack qty.	Cat. ref.
5A round pin unswitched	10	<b>WGS105</b>
5A round pin switched	10	<b>WGS105S</b>

**10A socket outlets**

- supplied with M3.5 x 25mm long fixing screws
- capacity of each terminal
  - L, N: 2 x 4.0mm<sup>2</sup>
  - E: 3 x 2.5mm<sup>2</sup>

- integral rocker design of switched sockets provide clear red 'on' indication
- material: polycarbonate
- complies with IEC 60884-2-3



WGS10U

WGS10US

Description	Pack qty.	Cat. ref.
10A 2 pin unswitched universal socket	10	<b>WGS10U</b>
10A 2 pin switched universal socket	10	<b>WGS10US</b>
10A 2 pin unswitched twin universal socket	10	<b>WGS10U2</b>



WGS10U2

**13A socket outlets**

- supplied with M3.5 x 25mm long fixing screws.
- capacity of each terminal
  - L, N: 2 x 4.0mm<sup>2</sup>
  - E: 3 x 2.5mm<sup>2</sup>
- integral rocker design of switched sockets provide clear red 'on' indication
- tough plastic back for durability

- all terminal screws upward facing for ease of installation
- material: polycarbonate
- complies with BS 1363-2, SS 145-2
- socket are with FREE dust preventive sticker to give additional protection during installation
- sockets with red dolly are also available



WGS113

WGS213

Description	Pack qty.	Cat. ref.
13A single unswitched	10	<b>WGS113</b>
13A double unswitched (size 2)	10	<b>WGS213</b>
13A single switched, single pole	10	<b>WGS113S</b>
13A double switched (size 2), single pole	10	<b>WGS213S</b>
13A single switched with neon, single pole	10	<b>WGS113N</b>
13A double switched with neon (size 2), single pole	10	<b>WGS213N</b>
13A single switched with neon, double pole	10	<b>WGS113DP</b>
13A twin switched with neon (size 2), double pole	10	<b>WGS213DP</b>



WGS113S

WGS213S



WGS113N

WGS213N





WGS115 WGS115S



WGS116 WGS116IS  
WGS116S



WGS216IS

### 15A and 16A socket outlets

- supplied with M3.5 x 25mm long fixing screws
- capacity of each terminal  
L, N: 2 x 4.0mm<sup>2</sup>  
E: 3 x 2.5mm<sup>2</sup>
- integral rocker design of switched sockets provide clear red 'on' indication.
- material: polycarbonate
- comply with BS 546, SS 472, IEC 60884 (for WGS116/ 116S), IEC 60884-1 (for WGS16IS)

Description	Pack qty.	Cat. ref.
15A round pin unswitched socket	10	<b>WGS115</b>
15A round pin switched socket	10	<b>WGS115S</b>
16A German style socket (without shutter)	10	<b>WGS116</b>
16A German style socket (with shutter)	10	<b>WGS116S</b>
16A 3 pins switched universal socket	10	<b>WGS116IS</b>
16A 3 pins double switched universal socket	10	<b>WGS216IS</b>



WGR13 WGR13S  
WGR132 WGR13S2  
WGR135 WGR13S5



WGR13SN  
WGR13SN2  
WGR13SN5

### Fused connection units

- supplied with M3.5 x 25mm long fixing screws
- all switched units are double pole.
- capacity of each terminal  
L, N: 3 x 4.0mm<sup>2</sup>  
E: 2 x 4.0mm<sup>2</sup>
- all units fitted with a 13A fuse link to BS 1362, can be supplied with 2A, 5A fuse link
- cable clamp accommodates up to 2.5mm<sup>2</sup> flexible cord
- optional flex outlet for choice of use
- material: polycarbonate
- complies with BS 1363-4

Description	Pack qty.	Cat. ref.
13A fused with flex outlet	10	<b>WGR13</b>
13A switched fused with flex outlet	10	<b>WGR13S</b>
13A switched fused with neon and flex outlet	10	<b>WGR13SN</b>
2A fused with flex outlet	10	<b>WGR132</b>
2A switched fused with flex outlet	10	<b>WGR13S2</b>
2A switched fused with neon and flex outlet	10	<b>WGR13SN2</b>
5A fused with flex outlet	10	<b>WGR135</b>
5A switched fused with flex outlet	10	<b>WGR13S5</b>
5A switched fused with neon and flex outlet	10	<b>WGR13SN5</b>



WGR25

### Connection unit

- supplied with M3.5 x 25mm long fixing screws.
- capacity of each terminal for 25A connection unit  
L, N: 2 x 6.0mm<sup>2</sup>  
E: 2 x 6.0mm<sup>2</sup>
- material: polycarbonate
- complies with BS 5733

Description	Pack qty.	Cat. ref.
25A connection unit with flex outlet	10	<b>WGR25</b>



WGV1 WGV2

### Moulded blank plates

- supplied with M3.5 x 25mm long fixing screws.
- material: polycarbonate
- complies with BS 5733

Description	Pack qty.	Cat. ref.
blank plate (size 1)	20	<b>WGV1</b>
blank plate (size 2)	10	<b>WGV2</b>

### Euro accommodation plates

- 1 module = 22.5 mm x 45 mm

Description	Pack qty.	Cat. ref.
accommodation plate (for 2 modules)	20	<b>WGVE2</b>
accommodation plate (for 3 modules)	20	<b>WGVE3</b>



WGVE2

WGVE3

### Modules

- keystone modules (WGMRJ11, WGMRJ45 and WGMRJ456) are not suitable for stylea and 10088 accommodation plate WXEVE2,3 and WGVE2,3  
 - multi international socket (WGSM13I) and Euro American sockets (WGSM216EA, WGSM16EA and WGSMT16EA) are for export markets only

Description	Pack qty.	Cat. ref.
13A multi international socket (45mm x 45mm)	10	<b>WGSM13I</b>
16A 2 pin Euro American socket (22.5 mm x 45 mm)	10	<b>WGSM216EA</b>
16A 3 pin Euro American socket (45 mm x 45 mm)	10	<b>WGSM16EA</b>
16A 3 pin twin Euro American socket (45 mm x 67.5 mm)	5	<b>WGSMT16EA</b>
13A BS socket (45 mm x 45 mm)	10	<b>WGSM113</b>
16A Schuko socket (45mm x 45mm)	10	<b>WS161</b>
10AX switch module (22.5mm x 45mm)	10	<b>WS012</b>
Keystone 4 pin telephone (22.5 mm x 45 mm)	10	<b>WGMRJ11</b>
Keystone 8 pin Cat 5E Data (22.5 mm x 45 mm)	10	<b>WGMRJ45</b>
Keystone 8 pin Cat 6 Data (22.5 mm x 45 mm)	10	<b>WGMRJ456</b>
75 Ohm "F" connection mechanism IGHZ (22.5 mm x 45 mm)	10	<b>WGMTV75F</b>
USB charger 2.1A 5V	1	<b>WS110</b>
RJ11/12 4/6pin telephone (45mm x 45mm)	10	<b>WS201</b>
RJ45 8 pin Cat 5E Data (22.5mm x 45mm)	10	<b>WS213</b>
RJ45 8pin Cat 6 Data (22.5mm x 45mm)	10	<b>WS222</b>
blank module (22.5 mm x 45 mm)	10	<b>WGMV1</b>



WGSM13I

WGSM16EA



WGSM216EA

WGSMT16EA



WGSM113

WGMRJ11



WGMRJ45

WGMTV75F



WGMV1

BS switches and sockets

### Motion detectors

Description	Pack qty.	Cat. ref.
systo 2M PIR without neutral (45mm x 45mm)	1	<b>WS050</b>
systo 2M PIR 3 wires (45mm x 45mm)	1	<b>WS051</b>



WS050

WS051

### Dimmers

Description	Pack qty.	Cat. ref.
systo 2M rotative dimmer for all kind of dimmable load (45mm x 45mm)	1	<b>WS060</b>
systo 2M push button dimmer for all kind of dimmable load (45mm x 45mm)	1	<b>WS061</b>



WS060



**Shutter control switches**

- for export markets only

Description	Pack qty.	Cat. ref.
systo 2M double 2W SW for shutters (45mm x 45mm)	10	<b>WS300</b>
systo 2M double PB for shutters (45mm x 45mm)	10	<b>WS301</b>



**Decoration covers**

Description	40Pack qty.	Cat. ref.
clip on cover Carbon (size 1)	40	<b>WGC1CA</b>
clip on cover Carbon (size 2)	20	<b>WGC2CA</b>
clip on cover Titanium Grey (size 1)	40	<b>WGC1TG</b>
clip on cover Titanium Grey (size 2)	20	<b>WGC2TG</b>
clip on cover Mother of Pearl (size 1)	40	<b>WGC1MP</b>
clip on cover Mother of Pearl (size 2)	20	<b>WGC2MP</b>
clip on cover with Gold strip (size 1)	40	<b>WGC1-GD</b>
clip on cover with Gold strip (size 2)	20	<b>WGC2-GD</b>
clip on cover with Silver strip (size 1)	40	<b>WGC1-SV</b>
clip on cover with Silver strip (size 2)	20	<b>WGC2-SV</b>
clip on cover White (size 1)	40	<b>WGC1</b>
clip on cover White (size 2)	20	<b>WGC2</b>

WGC1CA WGC2CA



WGC1TG WGC2TG



WGC1MP WGC2MP



WGC1-GD WGC2-GD



WGC1-SV WGC2-SV



WGC1 WGC2



**Multi-gang cover**

Description	Pack qty.	Cat. ref.
2 multi-gang cover (horizontal)	30	<b>WGC2-H</b>
3 multi-gang cover (horizontal)	20	<b>WGC3-H</b>
2 multi-gang cover (vertical)	30	<b>WGC2-V</b>
3 multi-gang cover (vertical)	20	<b>WGC3-V</b>



WGC3-H



WGC2-V



WGC3-V

**Colours**



WGL111CA

CA: Carbon

WGL111TG

TG: Titanium Grey

WGL111MP

MG: Mother of Pearl

**Colour Code and Reference**

W	G	1	1	1	C	A
---	---	---	---	---	---	---

system 10088 range



Product reference in the range

**Colour**

CA = carbon  
TG = titanium grey  
MP = mother of pearl

**Ordering**

Example of product references:

Reference	clip on cover	product	
WGL111	white	white	
WGL111CA	carbon	carbon	

In addition to the aesthetics for the home owner, the products have been designed to make the installation easier for electrical contractors.

Terminals designed to face in the same direction with lead-ins for wiring, backed-off screws held captive to prevent loss, wire end stops and clear identification, all help make the wiring and cabling much easier.

With the shallowest projection allowing more cabling space and faceplate overlap, the final fitting is quicker and provides a neater finish.



WMPS11

### 1 and 2 way wall switches

- complies with BS EN 60669-1, a.c only
- 'X' rated - no need to derate for fluorescent loads
- two way switches can be wired either 1 way or 2 way
- clear terminal markings: 1-way L1, 2-way L2
- capacity of each terminal 2 x 4.0mm<sup>2</sup> conductors
- supplied with M3.5 x 20mm long fixing screws

Description	Cat. ref.
10AX 1 gang 1 way wall switch	<b>WMPS11</b>
10AX 1 gang 2 way wall switch	<b>WMPS12</b>
10AX 2 gang 2 way wall switch	<b>WMPS22</b>
10AX 3 gang 2 way wall switch	<b>WMPS32</b>
10AX 4 gang 2 way wall switch	<b>WMPS42</b>
10AX 1 gang 2 way wall switch wide rocker	<b>WMPS12W</b>
10AX 2 gang 2 way wall switch wide rocker	<b>WMPS22W</b>



WMPS12W



WMPS16

### Intermediate switches

- complies with BS EN 60669-1, a.c only
- 'X' rated - no need to derate for fluorescent loads
- two way switches can be wired either 1 way or 2 way
- clear terminal markings: 1-way L1, 2-way L2
- capacity of each terminal 2 x 4.0mm<sup>2</sup> conductors
- supplied with M3.5 x 20mm long fixing screws

Description	Cat. ref.
intermediate switch	<b>WMPS16</b>
intermediate switch wide rocker	<b>WMPS16W</b>



WMPS12RB

### Push switches

- complies with BS EN 60669-1, a.c only
- 'X' rated - no need to derate for fluorescent loads
- two way switches can be wired either 1 way or 2 way
- clear terminal markings: 1-way L1, 2-way L2
- capacity of each terminal 2 x 4.0mm<sup>2</sup> conductors
- supplied with M3.5 x 20mm long fixing screws

Description	Cat. ref.
push switch	<b>WMPS12R</b>
push switch with bell symbol	<b>WMPS12RB</b>
push switch wide rocker	<b>WMPS12RW</b>



WMDR1/400R

### Rotary dimmers

- push ON, push OFF
- rotary dimming control
- 1 or 2 way switching
- suitable for resistive loads (e.g. incandescent lamps)
- suitable for main halogen lamps without the need for derating
- not suitable for fluorescent or inductive loads
- complies with BS EN 60669-2-1 (excluding clause 26 EMC requirements)
- 220-240V AC, 50/60Hz

Description	Cat. ref.
1 gang dimmer 60 - 400W	<b>WMDR1/400R</b>
1 gang dimmer 60 - 630W	<b>WMDR1/630R</b>
2 gang dimmer 40 - 250W/gang	<b>WMDR2/250R</b>

**Press dimmers**

- stylish flush buttons give easy press action
- quick press for ON/OFF
- hold button down to dim or brighten light level
- leading edge
- soft start feature prolongs lamp life
- suitable for dimming mains and dimmable transformer extra low voltage lamps
- complies with BS EN 60669-2-1 (including BS EN 55015)

- automatic switch off in the case of transformer instability protects the dimmer and the transformer
- supplied with M3.5 x 30mm long fixing screws
- 220-240V AC , 50/60Hz



WMDS1

Description	Cat. ref.
1 gang dimmer 60 - 400W	<b>WMDS1</b>
2 gang dimmer 40 - 250W/gang	<b>WMDS2</b>

**Rotary fan speed controller**

- push ON, push OFF
- rotary speed control
- 1 or 2 way switching
- not suitable for control of fans or motors which are synchronous (designed to be constant speed)

- Complies with BS EN 60669-2 -1 (excluding clause 26 EMC requirements)
- 220-240V AC , 50/60Hz



WMFR1/250

Description	Cat. ref.
1 gang fan speed controller 50 - 250VA	<b>WMFR1/250</b>

**1 gang 3 pole isolator switches**

- complies with BS EN 60669-2-4
- rated conditional short circuit current (Inc) 1500A tested with Hager MTN110 6kA B curve MCB

- capacity of each terminal 2 x 4.0mm<sup>2</sup> conductors
- supplied with M3.5 x 20mm long fixing screws



WMPS3PI

Description	Cat. ref.
3 pole isolator switch	<b>WMPS3PI</b>
3 pole isolator switch with fan symbol	<b>WMPS3PIF</b>



WMSS81N



WMSS82



WMSS115

**Sockets**

- unique patented 3 part safety shutter
- complies with BS 1363-2, a.c only, 15A round pin sockets complies with BS 546
- double pole switching mechanism on switched sockets
- twin socket comes with twin earth as standard
- all terminal screws grouped in-line and upward facing for ease of installation
- clear printed and engraved terminal markings
- supplied with M3.5 x 30mm long fixing screws
- capacity of each terminal:
  - 5 x 2.5mm<sup>2</sup> conductors switched
  - 4 x 2.5mm<sup>2</sup> unswitched

Description

Cat. ref.

**13A switched sockets**

1 gang double pole switched socket	<b>WMSS81</b>
2 gang double pole switched socket dual earth	<b>WMSS82</b>
2 gang double pole switched socket dual earth outboard rockers	<b>WMSS820</b>
1 gang double pole switched socket with led indicator	<b>WMSS81N</b>
2 gang double pole switched socket dual earth with led indicator	<b>WMSS82N</b>
2 gang double pole switched socket dual earth outboard rockers with led indicator	<b>WMSS820N</b>

**13A unswitched sockets**

1 gang unswitched socket	<b>WMS81</b>
2 gang unswitched socket dual earth	<b>WMS82</b>

**5A socket**

5A 1 gang unswitched socket	<b>WMS51</b>
-----------------------------	--------------

**15A sockets**

15A 1 gang double pole switched roundpin socket	<b>WMSS115</b>
15A, 127V, 1 gang unswitched UL socket with earth	<b>WMS115UL</b>
15A, 127V, 2 gang unswitched UL socket with earth	<b>WMS215UL</b>



WMDP84N

**20A double pole switches**

- complies with BS EN 60669-2-4
- cable clamp accommodates up to 1.5mm<sup>2</sup> flexible cord
- single screw fast fix cable clamp
- available with LED indicator in rocker
- all terminal screws upward facing for ease of installation
- clearly printed and engraved terminal marking
- capacity of each terminal: 2 x 6.0mm<sup>2</sup> conductors
- supplied with M3.5 x 30mm long fixing screws

Description

Cat. ref.

20A double pole switch	<b>WMDP84</b>
20A double pole switch with LED indicator	<b>WMDP84N</b>
20A double pole switch with flex outlet	<b>WMDP84FO</b>
20A double pole switch with LED indicator & flex outlet	<b>WMDP84FON</b>
20A double pole switch with LED indicator marked waterheater	<b>WMDP85N</b>
20A double pole switch with LED indicator & flex outlet marked waterheater	<b>WMDP85FON</b>



WMDP50N

**50A double pole switches**

- complies with BS EN 60669-2-4
- LED indication
- all terminal screws upward facing for ease of installation
- capacity of each terminal: 2 x 6mm<sup>2</sup>, 1 x 10mm<sup>2</sup>
- supplied with M3.5 x 30mm long fixing screws
- clearly printed terminal marking

Description

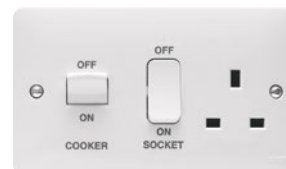
Cat. ref.

50A double pole switch 1 gang with LED indicator	<b>WMDP50N</b>
50A double pole switch 1 gang with LED indicator marked COOKER	<b>WMDP50N/CK</b>
50A double pole switch 1 gang with LED indicator marked AIR CONDITIONER	<b>WMDP50N/AC</b>
50A double pole switch 2 gang vertical with LED indicator	<b>WMDP50VN</b>

**45A cooker control unit**

- complies with BS 4177
- switch and socket are double pole
- twin earth as standard
- available with optional LED indication
- main switch is suitable for isolation

- all terminals are upward facing for ease of installation
- clearly printed terminal marking
- capacity of terminals: 2 x 6.0mm<sup>2</sup>, 1 x 16.0mm<sup>2</sup>
- supplied with M3.5 x 30mm long fixing screws



WMCC50

Description	Cat. ref.
45A cooker control unit	<b>WMCC50</b>
45A cooker control unit with LED indicator	<b>WMCC50N</b>

**Fused connection units**

- complies with BS 1363-4
- cable clamp accommodates up to 1.5mm<sup>2</sup> flexible cord
- single screw fast fix cable clamp
- available with LED light indicator in rocker
- all terminal screws upward facing for ease of installation

- clearly printed terminal markings
- capacity of each terminal: 2 x 6.0 mm<sup>2</sup> conductors
- supplied with M3.5 x 30mm long fixing screws



WMSSU83

Description	Cat. ref.
<b>13A switched FCU</b>	
13A FCU switched	<b>WMSSU83</b>
13A FCU switched with LED indicator	<b>WMSSU83N</b>
13A FCU switched with flex outlet	<b>WMSSU83FO</b>
13A FCU switched with LED indicator and flex outlet	<b>WMSSU83FON</b>
<b>13A unswitched FCU</b>	
13A FCU unswitched	<b>WMSU83</b>
13A FCU unswitched with flex outlet	<b>WMSU83FO</b>

**Outlet plates**

- complies with BS 5733
- terminal capacity:  
for 20A: 2 x 6.0mm<sup>2</sup>  
for 45A: 2 x 10.0mm<sup>2</sup>
- 20A plate features 2 separate terminals for each of Line, Neutral and Earth so flexible and fixed wiring do not occupy the same terminal

- single screw fast fix cable clamp
- supplied with M3.5 x 30mm long fixing screws
- 45A features large open brass terminals for ease of installation
- protective red washer must be used under cable clamp to prevent damage to cable
- supplied with M3.5 x 20mm long fixing screws



WMP2FO

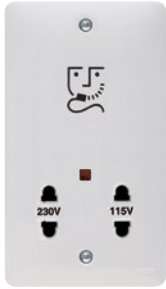
Description	Cat. ref.
flex outlet plate 20A	<b>WMP2FO</b>
cooker cable outlet with terminals 45A	<b>WMP50FO</b>

**Shutter control switch**

- internal mechanical interlock mechanism
- complies with BS EN 60669-1, AC . only
- clear terminal markings : L1, L2
- capacity of each terminal: 2 x 40 mm<sup>2</sup> conductors

Description	Cat. ref.
double switch for direct control of a motor, 10A, 230V	<b>WMPS22ST</b>





WMSO100

**Shaver socket**

- complies with BS EN 61558-2-5
- capacity of each terminal: 2 x 2.5mm<sup>2</sup> conductors
- designed for use in bathrooms and shower rooms and incorporates a double wound transformer for an earth free supply
- input 230V a.c. output dual voltage 230V a.c. and 115V a.c. outlets
- rating 20VA on either voltage
- primary circuit protected by a self resetting thermal overload device
- insertion of shaver plug automatically switches on the transformer
- supplied with M3.5 x 30mm long fixing screws
- 50/ 60Hz compatible

Description	Cat. ref.
115/230 V shaver socket	<b>WMSO100</b>

**Telephone and data**

- BT sockets comply with BS EN 6312-2
- supplied with fitted cable tie
- quick connection with insulation displacement terminals
- RJ11 has tool less quick connect terminals
- clearly printed terminal marking
- supplied with M3.5 x 20mm long fixing screws

Description	Cat. ref.
BT master telephone outlet	<b>WMBTM</b>
BT secondary telephone outlet	<b>WMBTS</b>
RJ11 socket - single	<b>WMRJ11</b>
RJ45 socket - single (Cat 6)	<b>WMRJ45</b>
RJ45 socket - twin (Cat 6)	<b>WMRJ452</b>



WMTVM

**TV and satellite**

- TV outlets comply with BS 3041
- satellite outlets comply with BS EN 50083-2
- fully screened
- DAB compatible
- supplied with M3.5 x 20mm fixing screws



WMQX

Description	Cat. ref.
single F type satellite outlet screened	<b>WMSAT</b>
single co-ax TV socket outlet male	<b>WMTVM</b>
single co-ax TV socket outlet female	<b>WMTVF</b>
double TV and FM/DAB co-ax socket outlet	<b>WMDX</b>
triplexer TV, FM/DAB and satellite outlet	<b>WMTX</b>
quadplexer TV, FM/DAB, satellite 1 and satellite 2 outlet	<b>WMQX</b>

**Euro frontplates and modules**

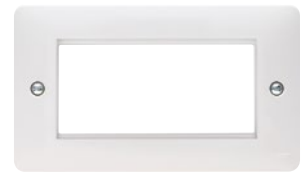
- carrier plates facilitate installation of industry standard modular data outlets
- easy to configure for all applications

- easy installation of module to plate
- robust retention of modules in operation
- quick release of modules for maintenance

Description

Width of modules  
25 mm

Cat. ref.



WMP4EU

**Euro style accommodation plates**

1 module	<b>WMP1EU</b>
2 modules	<b>WMP2EU</b>
4 modules	<b>WMP4EU</b>

**Euro style modules**

BT telephone master euromodule, white	1	<b>WMMBTM</b>
BT telephone secondary euromodule, white	1	<b>WMMBTS</b>
RJ11 - modem euromodule, white	1	<b>WMMRJ11</b>
RJ45 - Cat 6 UTP euromodule, white	1	<b>WMMRJ45</b>
phono plugs - red/black - gold plated euromodule	1	<b>WMMPP</b>
speaker terminal posts - gold plated euromodule	1	<b>WMMSP</b>
single IEC female non isolated euromodule, white	1	<b>WMMTVF</b>
single IEC male non isolated euromodule, white	1	<b>WMMTVM</b>
single satellite F connector euromodule, white	1	<b>WMMSAT</b>
single blank euromodule, white	1	<b>WMMB</b>
diplexer - TV & FM radio euromodule, white	2	<b>WMMDX</b>
triplexer - TV, satellite & FM radio euromodule, white	2	<b>WMMTX</b>
quadplexer - TV, satellite, FM radio and return euromodule, white	2	<b>WMMQX</b>



WMMBTM

**Blank module and plates**

Description

Cat. ref.

single blank plate	<b>WMP1</b>
twin blank plate	<b>WMP2</b>



WMP1



WRPS12BSW

**Wall switches**

- complies with BS EN 60669-1, a.c only
- 'X' rated - No need to derate for fluorescent loads
- two way switches can be wired either 1 way or 2 way
- clear terminal markings:  
1-way L1  
2-way L2
- capacity of each terminal 2 x 4.0mm<sup>2</sup> conductors
- supplied with M3.5 x 20mm long fixing screws



WFPS22PSW



WFPS12PBW

Description	Cat. ref. polished stainless steel	brushed stainless steel	polished brass
-------------	--	----------------------------	-------------------

**Raised plate**

10AX 1 gang 2 way	<b>WRPS12PSW</b>	<b>WRPS12BSW</b>	<b>WRPS12PBW</b>
10AX 2 gang 2 way	<b>WRPS22PSW</b>	<b>WRPS22BSW</b>	<b>WRPS22PBW</b>
10AX 3 gang 2 way	<b>WRPS32PSW</b>	<b>WRPS32BSW</b>	<b>WRPS32PBW</b>
10AX 4 gang 2 way	<b>WRPS42PSW</b>	<b>WRPS42BSW</b>	<b>WRPS42PBW</b>
intermediate switch	<b>WRPS16PSW</b>	<b>WRPS16BSW</b>	<b>WRPS16PBW</b>
push switch	<b>WRPS12RPSW</b>	<b>WRPS12RBSW</b>	<b>WRPS12RPBW</b>

**Flat plate**

10AX 1 gang 2 way	<b>WFPS12PSW</b>	<b>WFPS12BSW</b>	<b>WFPS12PBW</b>
10AX 2 gang 2 way	<b>WFPS22PSW</b>	<b>WFPS22BSW</b>	<b>WFPS22PBW</b>
10AX 3 gang 2 way	<b>WFPS32PSW</b>	<b>WFPS32BSW</b>	<b>WFPS32PBW</b>
10AX 4 gang 2 way	<b>WFPS42PSW</b>	<b>WFPS42BSW</b>	<b>WFPS42PBW</b>
intermediate switch	<b>WFPS16PSW</b>	<b>WFPS16BSW</b>	<b>WFPS16PBW</b>
push switch	<b>WFPS12RPSW</b>	<b>WFPS12RBSW</b>	<b>WFPS12RPBW</b>



WFDS1PS

**Press dimmers**

- stylish flush buttons give easy press action
- quick press for ON/OFF
- hold button down to dim or brighten light level
- soft start feature prolongs lamp life
- suitable for dimming mains and dimmable transformer extra low voltage lamps
- complies with BS EN 60669-2-1 (including BS EN 55015)
- automatic switch off in the case of transformer instability protects the dimmer and the transformer
- WR references supplied with M3.5 x 30mm long fixing screws
- WF references supplied with M3.5 x 20mm long fixing screws
- 220-240V AC, 50/60Hz



WFDS2BS

Description	Cat. ref. polished stainless steel	brushed stainless steel	polished brass
-------------	--	----------------------------	-------------------

**Raised plate**

1 gang dimmer 60-400W	<b>WRDS1PS</b>	<b>WRDS1BS</b>	<b>WRDS1PB</b>
2 gang dimmer 40-250W/gang	<b>WRDS2PS</b>	<b>WRDS2BS</b>	<b>WRDS2PB</b>

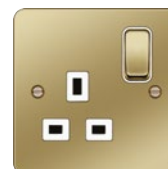
**Flat plate**

1 gang dimmer 60-400W	<b>WFDS1PS</b>	<b>WFDS1BS</b>	<b>WFDS1PB</b>
2 gang dimmer 40-250W/gang	<b>WFDS2PS</b>	<b>WFDS2BS</b>	<b>WFDS2PB</b>

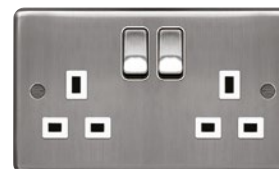
**Sockets**

- unique patented 3 part safety shutter
- complies with:  
BS 1363 Part 2, a.c only  
BS 546 for 15A roundpin
- double pole switching mechanism on switched sockets
- twin socket comes with twin earth as standard
- all terminal screws grouped in-line and upward facing for ease of installation

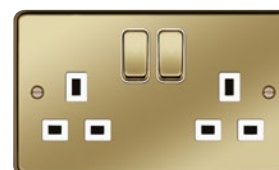
- clear printed and engraved terminal markings
- capacity of each terminal:  
5 x 2.5mm<sup>2</sup> conductors switched  
4 x 2.5mm<sup>2</sup> unswitched
- WR references supplied with M3.5 x 30mm long fixing screws
- WF references supplied with M3.5 x 20mm long fixing screws



WFSS81PBW



WRSS82BSW



WRSS82PBW



WFSS81BSW

Description

Cat. ref.  
polished  
stainless steel

brushed  
stainless steel

polished  
brass

**Raised plate**

13A 1 gang double pole switched socket	<b>WRSS81PSW</b>	<b>WRSS81BSW</b>	<b>WRSS81PBW</b>
13A 2 gang double pole switched socket dual earth	<b>WRSS82PSW</b>	<b>WRSS82BSW</b>	<b>WRSS82PBW</b>
13A 1 gang double pole switched socket with LED	<b>WRSS81NPSW</b>	<b>WRSS81NBSW</b>	<b>WRSS81NPBW</b>
13A 2 gang double pole switched socket with LED	<b>WRSS82NPSW</b>	<b>WRSS82NBSW</b>	<b>WRSS82NPBW</b>
5A 1 gang unswitched socket	<b>WRS51PSW</b>	<b>WRS51BSW</b>	<b>WRS51PBW</b>
15A 1 gang double pole switched round pin socket	<b>WRSS115PSW</b>	<b>WRSS115BSW</b>	<b>WRSS115PBW</b>

**Flat plate**

13A 1 gang double pole switched socket	<b>WFSS81PSW</b>	<b>WFSS81BSW</b>	<b>WFSS81PBW</b>
13A 2 gang double pole switched socket dual earth	<b>WFSS82PSW</b>	<b>WFSS82BSW</b>	<b>WFSS82PBW</b>
13A 1 gang double pole switched socket with LED	<b>WFSS81NPSW</b>	<b>WFSS81NBSW</b>	<b>WFSS81NPBW</b>
13A 2 gang double pole switched socket with LED	<b>WFSS82NPSW</b>	<b>WFSS82NBSW</b>	<b>WFSS82NPBW</b>
5A 1 gang unswitched socket	<b>WFS51PSW</b>	<b>WFS51BSW</b>	<b>WFS51PBW</b>
15A 1 gang double pole switched round pin socket	<b>WFSS115PSW</b>	<b>WFSS115BSW</b>	<b>WFSS115PBW</b>



WRDP84FOPSW

**20A double pole switches**

- complies with BS EN 60669-1 a.c. only
- cable clamp accommodates up to 1.5mm<sup>2</sup> flexible cord
- single screw fast fix cable clamp
- all terminal screws upward facing for ease of installation
- clearly printed and engraved terminal marking
- capacity of each terminal 2 x 6.0mm<sup>2</sup> conductors
- WR references supplied with M3.5 x 30mm long fixing screws
- WF references supplied with M3.5 x 20mm long fixing screws

Description	Cat. ref. polished stainless steel	brushed stainless steel	polished brass
-------------	--	----------------------------	-------------------

**Raised plate**

20A double pole switch	<b>WRDP84PSW</b>	<b>WRDP84BSW</b>	<b>WRDP84PBW</b>
20A double pole switch with LED indicator	<b>WRDP84NPSW</b>	<b>WRDP84NBSW</b>	<b>WRDP84NPBW</b>
20A double pole switch with flex outlet	<b>WRDP84FOPSW</b>	<b>WRDP84FOBSW</b>	<b>WRDP84FOPBW</b>
20A double pole switch with LED indicator and flex outlet	<b>WRDP84FONPSW</b>	<b>WRDP84FONBSW</b>	<b>WRDP84FONPBW</b>

**Flat plate**

20A double pole switch	<b>WFDP84PSW</b>	<b>WFDP84BSW</b>	<b>WFDP84PBW</b>
20A double pole switch with LED indicator	<b>WFDP84NPSW</b>	<b>WFDP84NBSW</b>	<b>WFDP84NPBW</b>
20A double pole switch with flex outlet	<b>WFDP84FOPSW</b>	<b>WFDP84FOBSW</b>	<b>WFDP84FOPBW</b>
20A double pole switch with LED indicator and flex outlet	<b>WFDP84FONPSW</b>	<b>WFDP84FONBSW</b>	<b>WFDP84FONPBW</b>



WFDP84BSW



WFDP50NBSW

**50A double pole switches**

- complies with BS EN 60669-2-4
- LED indication
- all terminal screws upward facing for ease of installation
- clearly printed terminal marking
- capacity of each terminal 2 x 6mm<sup>2</sup>, 1 x 10mm<sup>2</sup>
- WR references supplied with M3.5 x 30mm long fixing screws
- WF references supplied with M3.5 x 20mm long fixing screw

Description	Cat. ref. polished stainless steel	brushed stainless steel	polished brass
-------------	--	----------------------------	-------------------

**Raised plate**

50A double pole switch 1 gang with LED	<b>WRDP50NPSW</b>	<b>WRDP50NBSW</b>	<b>WRDP50NPBW</b>
--	-------------------	-------------------	-------------------

**Flat plate**

50A double pole switch 1 gang with LED	<b>WFDP50NPSW</b>	<b>WFDP50NBSW</b>	<b>WFDP50NPBW</b>
--	-------------------	-------------------	-------------------



WFCC50NPSW

**45A cooker control unit**

- complies with BS 4177
- switch and socket are double pole
- twin earth as standard
- main switch is suitable for isolation
- all terminals are upward facing for ease of installation
- clearly printed terminal marking
- capacity of terminals: 2 x 6.0mm<sup>2</sup>, 1 x 16.0mm<sup>2</sup>
- WR references supplied with M3.5 x 30mm long fixing screws
- WF references supplied with M3.5 x 20mm long fixing screws

Description	Cat. ref. polished stainless steel	brushed stainless steel	polished brass
-------------	--	----------------------------	-------------------

**Raised plate**

45A cooker control unit	<b>WRCC50NPSW</b>	<b>WRCC50NBSW</b>	<b>WRCC50NPBW</b>
-------------------------	-------------------	-------------------	-------------------

**Flat plate**

45A cooker control unit	<b>WFCC50NPSW</b>	<b>WFCC50NBSW</b>	<b>WFCC50NPBW</b>
-------------------------	-------------------	-------------------	-------------------

**13A switched & unswitched fused connection units**

- complies with BS 1363-4
- cable clamp accommodates up to 1.5mm<sup>2</sup> flexible cord
- single screw fast fix cable clamp
- all terminal screws upward facing for ease of installation
- clearly printed terminal markings

- capacity of each terminal: 2 x 6.0 mm<sup>2</sup> conductors
- WR references supplied with M3.5 x 30mm long fixing screws
- WF references supplied with M3.5 x 20mm long fixing screws



WRSSU83FOBSW

Description

Cat. ref.  
polished  
stainless steel

brushed  
stainless steel

polished  
brass

**Raised plate**

13A FCU switched	<b>WRSSU83PSW</b>	<b>WRSSU83BSW</b>	<b>WRSSU83PBW</b>
13A FCU switched with flex outlet	<b>WRSSU83FOPSW</b>	<b>WRSSU83FOBSW</b>	<b>WRSSU83FOPBW</b>
13A FCU unswitched	<b>WRSU83PSW</b>	<b>WRSU83BSW</b>	<b>WRSU83PBW</b>



WFSU83BSW

**Flat plate**

13A FCU switched	<b>WFSSU83PSW</b>	<b>WFSSU83BSW</b>	<b>WFSSU83PBW</b>
13A FCU switched with flex outlet	<b>WFSSU83FOPSW</b>	<b>WFSSU83FOBSW</b>	<b>WFSSU83FOPSW</b>
13A FCU unswitched	<b>WFSU83PSW</b>	<b>WFSU83BSW</b>	<b>WFSU83PBW</b>

**Shaver socket**

- complies with BS EN 61558-2-5
- capacity of each terminal: 2 x 2.5mm<sup>2</sup> conductors
- designed for use in bathrooms and shower rooms and incorporates a double wound transformer for an earth free supply
- input: 230V a.c.
- output: dual voltage 230V a.c. and 115V a.c. outlets
- rating: 20VA on either voltage

- primary circuit protected by a self resetting thermal overload device
- 50/60Hz compatible
- insertion of shaver plug automatically switches on the transformer
- WR references supplied with M3.5 x 30mm long fixing screws
- WF references supplied with M3.5 x 20mm long fixing screws



WRSO100PSW

Description

Cat. ref.  
polished  
stainless steel

brushed  
stainless steel

polished  
brass

**Raised plate**

115/230V shaver socket	<b>WRSO100PSW</b>	<b>WRSO100BSW</b>	<b>WRSO100PBW</b>
------------------------	-------------------	-------------------	-------------------

**Flat plate**

115/230V shaver socket	<b>WFSO100PSW</b>	<b>WFSO100BSW</b>	<b>WFSO100PBW</b>
------------------------	-------------------	-------------------	-------------------



WRBTMBSW



WFBTMPSW

**Telephone & data**

- BT sockets comply with BS EN 6312-2
- supplied with fitted cable tie
- quick connection with insulation displacement terminals
- RJ11 has tool less quick connect terminals.

- clearly printed terminal marking
- WR references supplied with M3.5 x 30mm long fixing screws
- WF references supplied with M3.5 x 20mm long fixing screws

Description

Cat. ref.  
polished  
stainless steel

brushed  
stainless steel

polished  
brass

**Raised plate**

BT master telephone outlet	<b>WRBTMPSW</b>	<b>WRBTMBSW</b>	<b>WRBTMPBW</b>
BT secondary telephone outlet	<b>WRBTSPSW</b>	<b>WRBTSBSW</b>	<b>WRBTSPBW</b>
RJ45 socket - single (Cat 6)	<b>WRRJ45PSW</b>	<b>WRRJ45BSW</b>	<b>WRRJ45PBW</b>
RJ45 socket - twin (Cat 6)	<b>WRTRJ45PSW</b>	<b>WRTRJ45BSW</b>	<b>WRTRJ45PBW</b>

**Flat plate**

BT master telephone outlet	<b>WFBTMPSW</b>	<b>WFBTMBSW</b>	<b>WFBTMPBW</b>
BT secondary telephone outlet	<b>WFBTSPSW</b>	<b>WFBTSBSW</b>	<b>WFBTSPBW</b>
RJ45 socket - single (Cat 6)	<b>WFRJ45PSW</b>	<b>WFRJ45BSW</b>	<b>WFRJ45PBW</b>
RJ45 socket - twin (Cat 6)	<b>WFTRJ45PSW</b>	<b>WFTRJ45BSW</b>	<b>WFTRJ45PBW</b>



WFTVFBSW



WFDXBSW



WFDXPBW



WFTXPSW

**TV & satellite**

- TV outlets comply with BS 3041
- satellite outlets comply with BS EN 50083-2
- fully screened
- DAB compatible

- WR references supplied with M3.5 x 30mm long fixing screws
- WF references supplied with M3.5 x 20mm long fixing screws

Description

Cat. ref.  
polished  
stainless steel

brushed  
stainless steel

polished  
brass

**Raised plate**

single F type satellite outlet screened	<b>WRSATPSW</b>	<b>WRSATBSW</b>	<b>WRSATPBW</b>
single co-ax TV outlet male	<b>WRMTVFPSW</b>	<b>WRMTVFBSW</b>	<b>WRMTVFPBW</b>
single co-ax TV outlet female	<b>WRTVFPSW</b>	<b>WRTVFBSW</b>	<b>WRTVFPBW</b>
double TV & FM/DAB co-ax socket outlet	<b>WRDXPSW</b>	<b>WRDXBSW</b>	<b>WRDXPBW</b>
triplexer TV & FM/DAB & satellite outlet	<b>WRTXPSW</b>	<b>WRTXBSW</b>	<b>WRTXPBW</b>
quadriplexer TV & FM/DAB satellite 1 & satellite 2	<b>WRQXPSW</b>	<b>WRQXBSW</b>	<b>WRQXPBW</b>

**Flat plate**

single F type satellite outlet screened	<b>WFSATPSW</b>	<b>WFSATBSW</b>	<b>WFSATPBW</b>
single co-ax TV outlet male	<b>WFMTVFPSW</b>	<b>WFMTVFBSW</b>	<b>WFMTVFPBW</b>
single co-ax TV outlet female	<b>WFTVFPSW</b>	<b>WFTVFBSW</b>	<b>WFTVFPBW</b>
double TV & FM/DAB co-ax socket outlet	<b>WFDXPSW</b>	<b>WFDXBSW</b>	<b>WFDXPBW</b>
triplexer TV & FM/DAB & satellite outlet	<b>WFTXPSW</b>	<b>WFTXBSW</b>	<b>WFTXPBW</b>
quadriplexer TV & FM/DAB satellite 1 & satellite 2	<b>WFQXPSW</b>	<b>WFQXBSW</b>	<b>WFQXPBW</b>

**Euro frontplates & modules**

- carrier plates facilitate installation of industry standard modular data outlets
- easy to configure for all applications
- easy installation of module to plate
- robust retention of modules in operation
- quick release of modules for maintenance

- WR references supplied with M3.5 x 30mm long fixing screws
- WF references supplied with M3.5 x 20mm long fixing screws



WFP1EUPSW

Description	Cat. ref. polished stainless steel	brushed stainless steel	polished brass
-------------	--	----------------------------	-------------------

**Raised plate**

1 module	<b>WRP1EUPSW</b>	<b>WRP1EUBSW</b>	<b>WRP1EUPBW</b>
2 modules	<b>WRP2EUPSW</b>	<b>WRP2EUBSW</b>	<b>WRP2EUPBW</b>
4 modules	<b>WRP4EUPSW</b>	<b>WRP4EUBSW</b>	<b>WRP4EUPBW</b>



WFP4EUBSW

**Flat plate**

1 module	<b>WFP1EUPSW</b>	<b>WFP1EUBSW</b>	<b>WFP1EUPBW</b>
2 modules	<b>WFP2EUPSW</b>	<b>WFP2EUBSW</b>	<b>WFP2EUPBW</b>
4 modules	<b>WFP4EUPSW</b>	<b>WFP4EUBSW</b>	<b>WFP4EUPBW</b>

**Blank plates**

- WR references supplied with M3.5 x 30mm long fixing screws
- WF references supplied with M3.5 x 20mm long fixing screws

Description	Cat. ref. polished stainless steel	brushed stainless steel	polished brass
-------------	--	----------------------------	-------------------

**Raised plate**

single blank plate	<b>WRP1PS</b>	<b>WRP1BS</b>	<b>WRP1PB</b>
twin blank plate	<b>WRP2PS</b>	<b>WRP2BS</b>	<b>WRP2PB</b>

**Flat plate**

single blank plate	<b>WFP1PS</b>	<b>WFP1BS</b>	<b>WFP1PB</b>
twin blank plate	<b>WFP2PS</b>	<b>WFP2BS</b>	<b>WFP2PB</b>



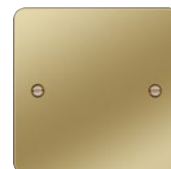
WRP2PS



WFP1BS



WRP1PS



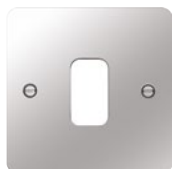
WFP1PB

BS switches  
and sockets

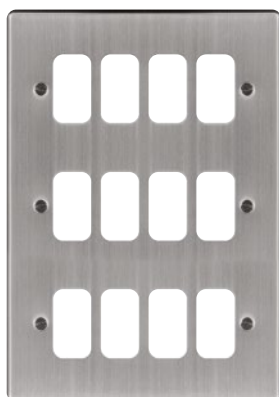




WMGP3



WFGP1PS



WRGP12BS

**Grid plates**

Description	Cat. ref. white moulded	polished	brushed	polished
		stainless steel	stainless steel	brass

**Raised plate**

1 gang grid plate	<b>WMGP1</b>	<b>WRGP1PS</b>	<b>WRGP1BS</b>	<b>WRGP1PB</b>
2 gang grid plate	<b>WMGP2</b>	<b>WRGP2PS</b>	<b>WRGP2BS</b>	<b>WRGP2PB</b>
3 gang grid plate	<b>WMGP3</b>	<b>WRGP3PS</b>	<b>WRGP3BS</b>	<b>WRGP3PB</b>
4 gang grid plate	<b>WMGP4</b>	<b>WRGP4PS</b>	<b>WRGP4BS</b>	<b>WRGP4PB</b>
6 gang (2x3) grid plate	<b>WMGP6</b>	<b>WRGP6PS</b>	<b>WRGP6BS</b>	<b>WRGP6PB</b>
8 gang (2x4) grid plate	<b>WMGP8</b>	<b>WRGP8PS</b>	<b>WRGP8BS</b>	<b>WRGP8PB</b>
12 gang (3x4) grid plate	-	<b>WRGP12PS</b>	<b>WRGP12BS</b>	<b>WRGP12PB</b>

**Flat plate**

1 gang grid plate	-	<b>WFGP1PS</b>	<b>WFGP1BS</b>	<b>WFGP1PB</b>
2 gang grid plate	-	<b>WFGP2PS</b>	<b>WFGP2BS</b>	<b>WFGP2PB</b>
3 gang grid plate	-	<b>WFGP3PS</b>	<b>WFGP3BS</b>	<b>WFGP3PB</b>
4 gang grid plate	-	<b>WFGP4PS</b>	<b>WFGP4BS</b>	<b>WFGP4PB</b>
6 gang (2x3) grid plate	-	<b>WFGP6PS</b>	<b>WFGP6BS</b>	<b>WFGP6PB</b>
8 gang (2x4) grid plate	-	<b>WFGP8PS</b>	<b>WFGP8BS</b>	<b>WFGP8PB</b>
12 gang (3x4) grid plate	-	<b>WFGP12PS</b>	<b>WFGP12BS</b>	<b>WFGP12PB</b>



WMGF34

**Grid frames**

Description	Cat. ref.		
	1 gang frame	2 gang frame	3 gang frame
frames for white moulded and decorative raised plate ranges	<b>WMGF1</b>	<b>WMGF2</b>	<b>WMGF34</b>
frames for decorative flat plate ranges	<b>WFGF1</b>	<b>WFGF2</b>	<b>WFGF34</b>

**Grid switches and accessories**

- complies with BS EN 606691-1 switches, BS 5733 fuse carrier
- shallowest switch modules for ease of installation
- modules clip from the front for ease of installation and maintenance
- terminal screw can be accessed with modules clipped into frames

- frames locate to finished wall level
- frames clip to ease alignment for 6 gang and 8 gang applications
- WR references supplied with M3.5 x 30mm long fixing screws
- WF references supplied with M3.5 x 20mm long fixing screws



WMGSDP2

Description	Cat. ref. white moulded	polished stainless steel	brushed stainless steel	polished brass
-------------	----------------------------	-----------------------------	----------------------------	-------------------

**Modules**

20AX 1 way single pole switch	<b>WMGS211</b>	<b>WMGS211PSW</b>	<b>WMGS211BSW</b>	<b>WMGS211PBW</b>
20AX 2 way single pole switch	<b>WMGS12</b>	<b>WMGS12PSW</b>	<b>WMGS12BSW</b>	<b>WMGS12PBW</b>
20AX 1 intermediate switch	<b>WMGS16</b>	<b>WMGS16PSW</b>	<b>WMGS16BSW</b>	<b>WMGS16PBW</b>
20AX push switch	<b>WMGS22R</b>	<b>WMGS22RPSW</b>	<b>WMGS22RBSW</b>	<b>WMGS22RPBW</b>
20AX 1 way double pole switch	<b>WMGSDP2</b>	<b>WMGSDP2PSW</b>	<b>WMGS0P2BSW</b>	<b>WMGS0P2PBW</b>
20AX double pole key switch	<b>WMGKS</b>	-	-	-
13A fuse carrier	<b>WMGFU13</b>	<b>WMGFU13PSW</b>	<b>WMGFU13BSW</b>	<b>WMGFU13PBW</b>
blank module	<b>WMGB1</b>	<b>WMGB1PSW</b>	<b>WMGB1BSW</b>	<b>WMGB1PBW</b>



WMGFU13BSW



WMGFU13

**Modules**

20AX 1 way double pole switch			<b>WMGSDP2</b>	<b>WMGSDP2N</b>
20AX 1 way double pole switch marked "cooker hood"			<b>WMGSDP2/CHD</b>	<b>WMGSDP2N/CHD</b>
20AX 1 way double pole switch marked "dishwasher"			<b>WMGSDP2/DW</b>	<b>WMGSDP2N/DW</b>
20AX 1 way double pole switch marked "fridge"			<b>WMGSDP2/FRI</b>	<b>WMGSDP2N/FRI</b>
20AX 1 way double pole switch marked "HOB"			<b>WMGSDP2/HB</b>	<b>WMGSDP2N/HB</b>
20AX 1 way double pole switch marked "microwave"			<b>WMGSDP2/MW</b>	<b>WMGSDP2N/MW</b>
20AX 1 way double pole switch marked "washing machine"			<b>WMGSDP2/WM</b>	<b>WMGSDP2N/WM</b>



WMGKS



WMGSDP2/HB

BS switches and sockets



WPDP50N

### Wall switches

- complies with BS EN 60669-1, a.c only
- 'X' rated - No need to derate for fluorescent loads
- two way switches can be wired either 1 way or 2 way
- clear terminal markings: 1-way L1, 2-way L2
- capacity of each terminal 2 x 4.0mm<sup>2</sup> conductors
- backbox included

Description	Pack qty.	Cat. ref.
50A double pole switch 1 gang with LED indicator	10	<b>WPDP50N</b>
20A double pole switch with flex outlet	10	<b>WPDP84FO</b>
20A double pole switch with LED indicator and flex outlet	10	<b>WPDP84FON</b>
10AX 1 gang 2 way wall switch	10	<b>WPPS12</b>
10AX 2 gang 2 way wall switch	10	<b>WPPS22</b>
10AX 2 gang 2 way wall switch with red rocker	10	<b>WPPS12RR</b>
10AX 3 gang 2 way wall switch	10	<b>WPPS32</b>
10AX push switch	10	<b>WPPS12R</b>
intermediate switch	10	<b>WPPS16</b>



WPSS81

### Socket outlets

- unique patented 3 part safety shutter
- complies with BS 1363-2, a.c only
- double pole switching mechanism on switched sockets
- twin socket comes with twin earth as standard
- all terminal screws grouped in-line and upward facing for ease of installation
- clear printed and engraved terminal markings
- capacity of each terminal: 5 x 2.5mm<sup>2</sup> conductors switched; 4 x 2.5mm<sup>2</sup> unswitched
- backbox included

Description	Pack qty.	Cat. ref.
1 gang double pole switched socket	10	<b>WPSS81</b>
1 gang double pole switched socket with LED indicator	10	<b>WPSS81N</b>
2 gang double pole switched socket	5	<b>WPSS82</b>
2 gang double pole switched socket with LED indicator	5	<b>WPSS82N</b>



WPSU83FO

### 13A fuse connection units

- complies with bs 1363-4
- cable clamp accommodates up to 1.5mm<sup>2</sup> flexible cord
- single screw fast fix cable clamp
- available with LED light indicator in rocker
- all terminal screws upward facing for ease of installation
- clearly printed terminal markings
- capacity of each terminal 2 x 6.0 mm<sup>2</sup> conductors
- backbox included

Description	Pack qty.	Cat. ref.
13A FCU unswitched with flex outlet	10	<b>WPSU83FO</b>
13A FCU switched with flex outlet	10	<b>WPSSU83FO</b>
13A FCU switched with LED indicator and flex outlet	10	<b>WPSSU83FON</b>



WPB140KO

### Backboxes

Description	Pack qty.	Cat. ref.
single back box with knockouts	10	<b>WPB140KO</b>
twin back box with knockouts	5	<b>WPB240KO</b>

### Wall switches

- box size: 90 x 90 mm
- cable entries :
  - side: 4 x 20 mm
  - back: 1 x 20 mm and 1 x 25 mm

- robust and rugged enclosures designed to withstand the elements

Description	Pack qty.	Cat. ref.
10AX 1 gang 2 way switch	1	<b>WXPPS12</b>
10AX 2 gang 2 way switch	1	<b>WXPPS22</b>
20AX double pole 1gang 1 way switch	1	<b>WXDP84</b>
20AX double pole 1 gang 1 way switch with neon	1	<b>WXDP84N</b>
20AX double pole 2 gang 1 way switch	1	<b>WXDP842</b>
10A 1 gang bell push switch	1	<b>WXPPS12B</b>



WXPPS12



WXPPS22

### Socket outlets

- cable entries :

box size (mm)	cable entries (quantity x diameter in mm)	
	side	back
103 x 116.5	4 x 20	1 x 20 and 1 x 25
164 x 116.5	6 x 20	1 x 20 and 1 x 25

- robust and rugged enclosures designed to withstand the elements
- unique double hinge allows lid to fully open through 180°

- fixing point for padlock
- 13A socket outlets comply with BS 1363-2 & SS 145 part 2
- 15A socket outlets comply with BS 546 & SS 472

Description	Dimensions H x W (mm)	Pack qty.	Cat. ref.
13A 1 gang unswitched socket	103 x 116.5	1	<b>WXPS81</b>
13A 1 gang double pole switched socket	103 x 116.5	1	<b>WXPS81</b>
13A 1 gang double pole switched socket with neon	103 x 116.5	1	<b>WXPS81N</b>
13A 2 gang unswitched socket	164 x 116.5	1	<b>WXPS82</b>
13A 2 gang double pole switched socket	164 x 116.5	1	<b>WXPS82</b>
13A 2 gang double pole switched socket with neon	164 x 116.5	1	<b>WXPS82N</b>
15A 1 gang double pole switched socket	103 x 116.5	1	<b>WXPS115</b>



WXPS81



WXPS82

### Fused connection unit

- box size: 103 x 116.5 mm
- cable entries :
  - side: 4 x 20 mm
  - back: 1 x 20 mm and 1 x 25 mm
- robust and rugged enclosures designed to withstand the elements

- unique double hinge allows lid to fully open through 180°
- fixing point for padlock
- comply with BS 1363-4 IP66 rating conforms to IEC/ BS EN 60529

Description	Pack qty.	Cat. ref.
13A DP switched fused connection unit with flex outlet	1	<b>WXPSU83FO</b>
13A unswitched fused connection unit with flex outlet	1	<b>WXPSU83FO</b>



WXPSU83FO

The range of IP66 isolators are designed to be used in outdoor applications with IP66 degree of protection. They are rated at AC22A and AC23A and offer options of 2, 3 poles and 4 poles with switched neutral. They are compact and easy to install with 2 screw quick release top cover.



JG220U

### IP66 isolators rating AC22A

- rated voltage: 250 V AC  
440 V AC
- material: polycarbonate – UV grade.
- for switching of mixed resistive and inductive loads, including moderate overloads.
- protection category: IP66
- devices & accessories: DP 20-40A, TP & N 20-40A, TP & SW N 20-63A
- complies with BS EN 60947-3, IEC 60947-3, AS 3947-3

Description	Pack qty.	Cat. ref.
<b>2 pole</b>		
20A 2 pole IP66	1	<b>JG220U</b>
32A 2 pole IP66	1	<b>JG232U</b>
40A 2 pole IP66	1	<b>JG240U</b>
63A 2 pole IP66	1	<b>JG263U</b>
<b>3 pole</b>		
20A 3 pole IP66	1	<b>JG320U</b>
32A 3 pole IP66	1	<b>JG332U</b>
40A 3 pole IP66	1	<b>JG340U</b>
<b>3 pole + switched neutral</b>		
20A 4 pole IP66	1	<b>JG420U</b>
32A 4 pole IP66	1	<b>JG432U</b>
40A 4 pole IP66	1	<b>JG440U</b>
63A 4 pole IP66	1	<b>JG463U</b>



JG320IN

### IP66 isolators rating AC23A

- rated voltage: 250 V AC  
440 V AC
- material: polycarbonate – UV grade.
- for switching of motor loads or other highly inductive loads
- protection category: IP66
- devices & accessories: DP 20-40A, TP & N 20-40A, TP & SW N 20-63A
- complies with BS EN 60947-3, IEC 60947-3, AS 3947-3

Description	Pack qty.	Cat. ref.
<b>2 pole</b>		
20A 2 pole IP66	1	<b>JG220IN</b>
32A 2 pole IP66	1	<b>JG232IN</b>
40A 2 pole IP66	1	<b>JG240IN</b>
63A 2 pole IP66	1	<b>JG263IN</b>
<b>3 pole</b>		
20A 3 pole IP66	1	<b>JG320IN</b>
32A 3 pole IP66	1	<b>JG332IN</b>
40A 3 pole IP66	1	<b>JG340IN</b>
<b>3 pole + switched neutral</b>		
20A 4 pole IP66	1	<b>JG420IN</b>
32A 4 pole IP66	1	<b>JG432IN</b>
40A 4 pole IP66	1	<b>JG440IN</b>
63A 4 pole IP66	1	<b>JG463IN</b>

### IP65 isolators rating AC22A

- rated voltage: 250 V AC  
440 V AC
- material: polycarbonate – UV grade.
- for switching of mixed resistive and inductive loads, including moderate overloads.

- protection category: IP66
- devices & accessories: DP 20-40A, TP & N 20-40A, TP & SW N 20-63A
- complies with BS EN 60947-3, IEC 60947-3, AS 3947-3



Description	Pack qty.	Cat. ref.
<b>3 pole</b>		
63A 3 pole IP65	1	<b>JG363S</b>
80A 3 pole IP65	1	<b>JG380S</b>
125A 3 pole IP65	1	<b>JG325S</b>

JG380S

### Doorbells

- dimensions: w. 105 mm x h. 168 mm x d. 45 mm
- power source:  
for XC001: 220-240V AC 50Hz  
for XC002: 4 x 1.5V R14C batteries

- transformer output: 6VDC (XC001 only)
- only dingdong sound
- complies with BS EN 61558-1:1998, BS EN 61558-2-8:1999, IEC 60335-1



Description	Pack qty.	Cat. ref.
220-240V AC 50Hz powered doorbells	1	<b>XC001</b>
4 x 1.5V R14C batteries powered doorbells	1	<b>XC002</b>

XC001

XC002

### Door chime

- supplied with M3.5 x 25mm long fixing screws
- 250V AC or 4.5V DC (AAA x 3)
- frequency: 50/ 60 Hz

- with adjustable melody / ding dong sound
- material: polycarbonate
- complies with BS EN 62080, IEC 62080



Description	Pack qty.	Cat. ref.
for stylea	10	<b>WXEDC01</b>
for system 10088	10	<b>WGDC01</b>
for system 9088	10	<b>XD9001</b>

WXEDC01

WGDC01



XD9001

### RCD sockets

- voltage: 220/ 240 V AC 50/60Hz
- rated trip current: 30mA
- tripping: less than 40mS at 150mA
- RCD section: double pole

- breaking capacity: 250A on earth fault
- through fault withstand current: 1500A
- complies with BS EN 7288: 1990



WGS114RCD WGS214RCD

Description	Pack qty.	Cat. ref.
13A single switched, latching	1	<b>WGS114RCD</b>
13A twin switched, latching (size 2)	1	<b>WGS214RCD</b>



XB8001

XB8002

### Lampholders

Straight BC batten  
- complies with BS EN 61184 (XB8001), BS EN 60238 (XB8002)

Ceiling rose  
- complies with BS 67

Plattress box  
- complies with BS 5733  
- 2 earth terminals  
- feet on base to add mounting on uneven surfaces



XB8003

XB8004

Description	Pack qty.	Cat. ref.
3 terminal, home office shield BC batten (pin type)	10	<b>XB8001</b>
3 terminal, home office shield BC batten (screw type)	10	<b>XB8002</b>
ceiling rose	10	<b>XB8003</b>
plastic pattress box for lampholder	20	<b>XB8004</b>



XS113FM

XS213FM

### Floor mounting sockets

- technical data: 250V 13A (single and twin)  
- capacity of each terminal:  
3 x 2.5mm<sup>2</sup>  
2 x 4mm<sup>2</sup>  
- material: stainless steel  
- complies with BS 1363-2

Description	Pack qty.	Cat. ref.
13A single unswitched floor mounting socket	10	<b>XS113FM</b>
13A twin unswitched floor mounting socket (size 2)	5	<b>XS213FM</b>



WGFFVE3BS

### Floor socket frame

- dimensions: 67.5mm x 45mm  
- supplied with quick connection terminals  
- supplied with M4 x 40 mm long fixing screws  
- capacity of each terminal:  
L, N: 2 x 2.5 mm<sup>2</sup>  
E: 2 x 2.5 mm<sup>2</sup>  
- material: stainless steel  
- for 45x45 modules see page 14.25  
- IP20

Description	Pack qty.	Cat. ref.
brushed steel frame	1	<b>WGFFVE3BS</b>

**Mounting boxes**

- colour and size match to system 8000, system 9088 and system 10088 ranges of wiring accessories.
- knockouts are provided on the base and sides for cable entry

- with earth terminal
- material: PVC
- complies with BS 5733



XB8351



XB8471

Description	Pack qty.	Cat. ref.
mounting box 35mm depth (size 1)	10	<b>XB8351</b>
mounting box 47mm depth (size 1)	10	<b>XB8471</b>
mounting box 35mm depth (size 2)	10	<b>XB8352</b>
mounting box 47mm depth (size 2)	10	<b>XB8472</b>



XB8352



XB8472

**Covers for wiring accessories**

Description	Pack qty.	Cat. ref.
cover for switch	10	<b>XC9001</b>
cover for socket	10	<b>XC9002</b>
IP55 cover	40	<b>XC9003</b>
IP55 cover (size 2)	40	<b>XC9004</b>



XC9001



XC9002



XC9003



XC9004



### Compliance with standards

Regulation 511-01-01 of BS 7671: Requirements for Electrical Installations, IEE Wiring Regulations Sixteenth Edition is of particular importance to specifiers and installers with respect to product standards.

Regulation 511-01-01 requires every item of equipment to comply with the relevant requirements of the applicable British Standard, or Harmonised Standard appropriate to the intended use of the equipment.

### British Standards (BS)

The BSI (British Standards Institution) was the first national standards body in the world. There are now more than 100 similar organisations which belong to the International Organisation for Standardisation (ISO) and the International Electrotechnical Commission (IEC).

British Standards are drawn up by all those who have a particular interest in the subject i.e. manufacturers, users, research organisations, government departments and consumers. This work is coordinated by BSI staff, acting as secretaries to the committees where the work is done. All standards are made available for public comment before they are published.

### Harmonised standards

A Harmonised standard is a European standard formally presented by CENELEC, to the European Commission and published in the commission's official journal. CENELEC is the Comité Européen de Normalisation Electrotechnique i.e. European Committee for Electrotechnical Standardisation.

BS 7671 part 2 defines a harmonised standard as a standard which has been drawn up by common agreement between national standards bodies notified to the European Commission by all member states and published under national procedures. The UK national standards body is the British Standards Institution. In the UK a harmonised standard will normally be published as a British Standard European Norm i.e. BS EN.

### British Standard European Norm (BS EN)

CENELEC European standards are pre-fixed EN (European Norm). Adoption of the European Standard within the EC is mandatory and member countries of CENELEC are obliged to publish them unchanged. In the UK such standards are further endorsed with the additional prefix 'BS', for example BS EN 60669-1 : 1996 is the British Standard European Norm for Switches for household and similar fixed electrical installations.

Whilst a European Standard can be a direct replica of an IEC standard, discussions within CENELEC may result in the formulation of a standard which includes commonly agreed variations and Special National Conditions.

### International Electrotechnical Commission (IEC)

Founded in 1906 the International Electrotechnical Commission (IEC) is the world organisation that prepares and publishes international standards for all electrical, electronic and related technologies. The membership consists of 60 participating countries, including all the world's major trading nations and a growing number of industrialising countries.

Foreign national standards based on IEC standards are permitted to be used by BS 7671. However the specifier must verify that any differences between the foreign standard and the corresponding British Standard or Harmonised Standard does not result in any lesser degree of safety than that afforded by compliance with the British Standard. This assessment would probably need to be made by specialists.

### Conclusion

BS 7671 (IEE Wiring Regulations) recognises equipment which complies with a British Standard or Harmonised Standard appropriate to the intended use of the equipment without the need for further qualification.

Hager products have always been designed and manufactured to a high standard to ensure compliance with the current British or Harmonised Standard. See the table next page for further information.

<b>Product description</b>	<b>BS / IEC number</b>	<b>Description</b>
Switches	BS EN 60669-1 IEC 60669-1 CB certificate	Switches for households and similar fixed electrical installations
Indicators	BS 5733	Switches for household and similar fixed electrical installations with particular requirements for time delay switches (TDS)
Connection unit, cord outlets	BS 5733	Switches for household and similar fixed electrical installations with particular requirements for time delay switches (TDS)
Dimmers	BS EN 60669-2-3	Switches for household and similar fixed electrical installations with particular requirements for time delay switches (TDS)
Frames and plates	BS 5733	Switches for household and similar fixed electrical installations with particular requirements for time delay switches (TDS)
Boxes	BS 4662 or IEC 60670-1	Specification for boxes for the enclosure of electrical accessories
10 Amp wall switches	BS EN 60669-1 IEC 60669-1 CB certificate	Switches for households and similar fixed electrical installations
Dimmer switches	BS EN 60669-2-1 IEC 60669-2-1	Electronic variable control switches (dimmer switches) for tungsten filament lighting
13 Amp socket outlets	BS 1363: Part 2 SS145	13A plugs, socket outlets, adaptors and connection units
15 Amp switched sockets	BS 546 SS472	Specification: two pole and earthing-pin plugs, socket outlets and socket outlet adaptators
20 Amp D.P. switches	BS EN 60669-1 IEC 60669-1 CB certificate	Switches for households and similar fixed electrical installations
13 Amp fused connection units	BS 1363 : part 4	Specification for 13A fused connection units switched and unswitched
45 Amp D.P. switches	BS EN 60669-1 IEC 60669-1 CB certificate	Switches for households and similar fixed electrical installations
45 Amp cooker control units	BS 4177	Cooker control units
Shaver socket outlets	BS EN 61558-2-5  IEC 61558-2-5	General requirements isolating transformers and safety isolating transformers  Electromagnetic compatibility, immunity requirements for household CB certificate appliances tools and similar apparatus.
25 Amp / Amp flex outlet plates	BS 5733	General requirements for electrical accessories
BS batten	BS EN 61184 BS EN 60238	Home office shield are T2 rated.
Ceiling rose	BS 67	Specification for two and three-terminal ceiling roses.

### Objective of CE marking

CE marking is a “technical passport” which indicates that a product conforms to all relevant directives which require CEmarking, thus enabling the product to travel within the E.U.

A directive is a piece of mandatory European Legislation implemented by regulations in all member countries. Its purpose is to allow free movement of goods that are safe and fit for use into and within the European Union.

CE marking is not a quality mark and it does not indicate that any testing or certification has been carried out.

### The marking

CE marking is a statement by the manufacturer that the product complies with the essential requirements of all relevant Directives, notably in the area of technical safety and conformity assessment.

CE marking can appear on the product or packaging or documentation or combination thereof dependant upon which directive it has to comply with.

CE marking is a very specific graphical symbol and must be clearly separated from other marks.



### Directives

It is the responsibility of the manufacturer or his authorised representative who places the product onto the EC market to decide which Directive(s) apply and to ensure the CE marking is affixed by the dates stated in the relevant directive(s).

For the majority of Hager products only one directive is applicable this is referred to as the Low Voltage Directive. Where some products incorporate electronic devices the Low voltage Directive and the Electromagnetic Compatibility Directive are applicable.

### The Low Voltage Directive

EC directives are requirements adopted by the European Council and published in the Official Journal of the European Communities and are addressed to the member states.

European Council Directive 73/23/EEC with an amendment 93/68/EEC is known as the Low Voltage Directive.

The Low Voltage Directive has been implemented into UK law by the “ Electrical Equipment (Safety) Regulations 1994” and apply to all electrical / electronic equipment operating at a voltage of 50-1000 V a.c. or 75-1500 V d.c.. They do not apply to plugs, socket outlets and adapters which are covered by the Plugs and Sockets (Safety) Regulations 1994.

### Relationship between the Electrical Equipment (Safety) Regulations, Harmonised standards and the IEE Wiring Regulations Sixteenth Edition.





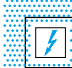
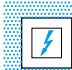
The Electrical Equipment (Safety) Regulations requires electrical equipment to be safe. Electrical equipment which satisfies the safety provisions of Harmonised standards shall be taken to comply with this requirement, unless there are reasonable grounds for suspecting that the equipment does not so comply.

Regulation 511-01-01 of BS 7671 Requirements for Electrical Installations, IEE Wiring Regulations Sixteenth Edition requires every item of equipment to comply with the relevant requirements of the applicable British Standard, or Harmonised Standard appropriate to the intended use of the equipment.

The Ingress Protection (IP) for all low voltage enclosures up to 1000 V AC and 1500 V DC is defined in identical fashion by the standards EN 605 29 - IEC 529 it comprises the letters IP followed by two character numerals:





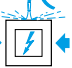
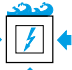
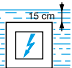
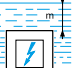
**The first character numeral** indicates the degree of protection provided by the enclosure with respect to persons, also to the equipment inside the enclosure.

**The first character numeral:**  
protection against solid substances

IP	Description
0	Non-protected
1	 Protected against solid objects greater than 50mm
2	 Protected against solid objects greater than 12.5mm
3	 Protected against solid objects greater than 2.5mm
4	 Protected against solid objects greater than 1.0mm
5	 Dust-protected
6	 Dust-tight

**The second character numeral** indicates the degree of protection provided by the enclosure with respect to harmful ingress of water; a third character may be used to indicate mechanical strength. An x signifies that no test has been carried out

**The second character numeral:**  
protection against liquid substances

IP	Description
0	Non-protected
1	 Protected against dripping water
2	 Protected against dripping water when tilted up to 15°
3	 Protected against spraying water
4	 Protected against splashing water
5	 Protected against water jets
6	 Protected against heavy seas
7	 Protected against the effect of immersion (15 cm)
8	 Protected against submersion (m)

BS switches and sockets

**Additional letter (in option)**

Protection of people against access to dangerous parts

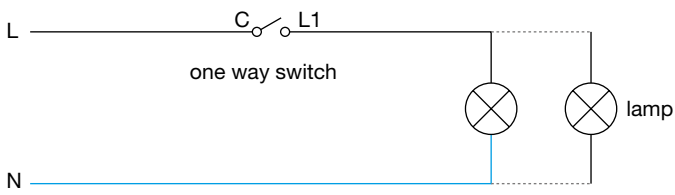
	Description
<b>A</b>	Protected against access of the back of the hand
<b>B</b>	Protected against access of a finger
<b>C</b>	Protected against access of a tool - ø 2.5mm
<b>D</b>	Protected against access of a tool - ø 1mm

**Additional letter (in option)**

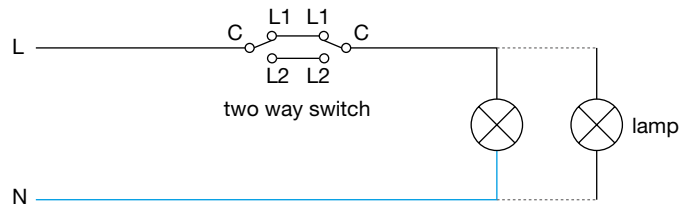
Specific information on the product

	Description
<b>H</b>	High voltage material
<b>M</b>	Movements during water test
<b>S</b>	Stationary during water test
<b>W</b>	Bad weather

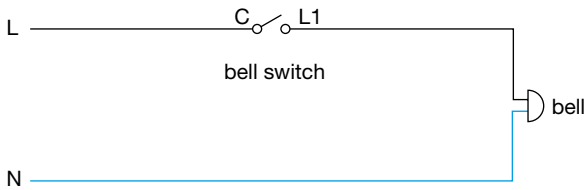
**One way switch**



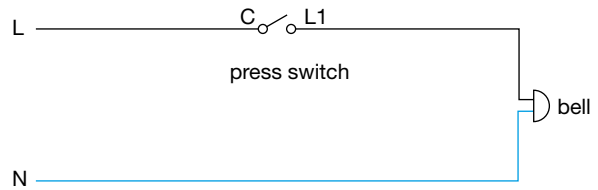
**Two way switch**



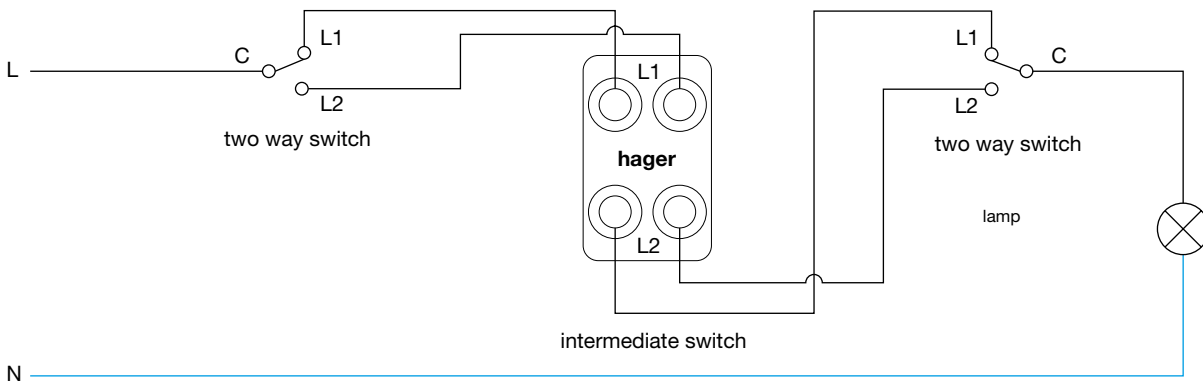
**Marked BELL switch**



**Marked PRESS switch**

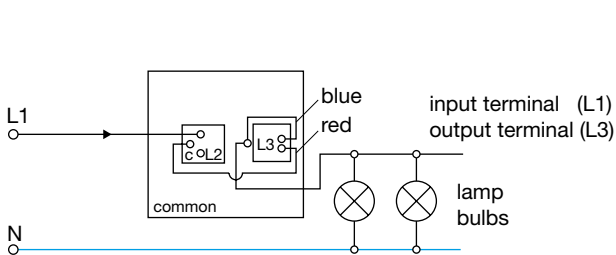


**Intermediate switch**

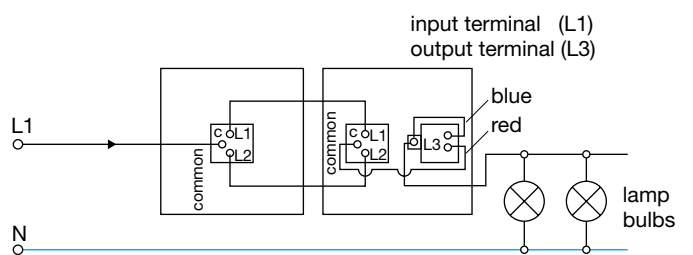


**Dimmer switch**

**1. One way connection**

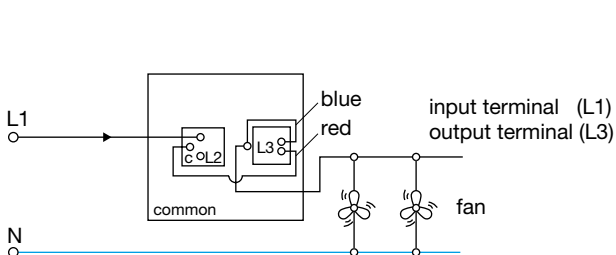


**2. Two way connection**

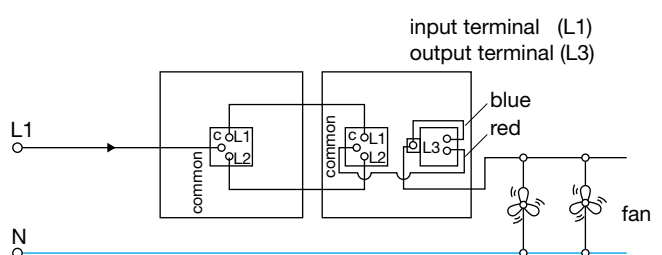


**Fan control**

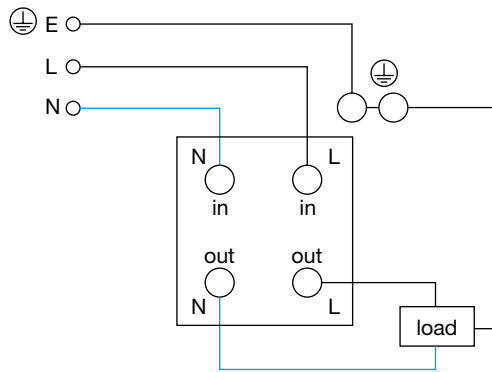
**1. One way connection**



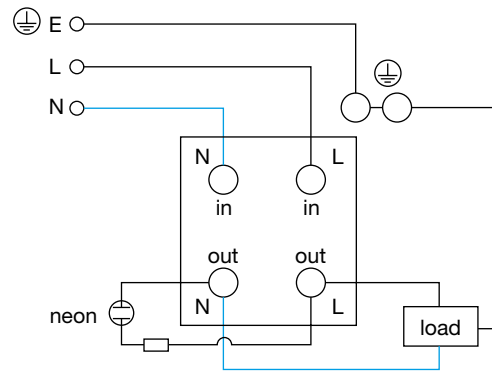
**2. Two way connection**



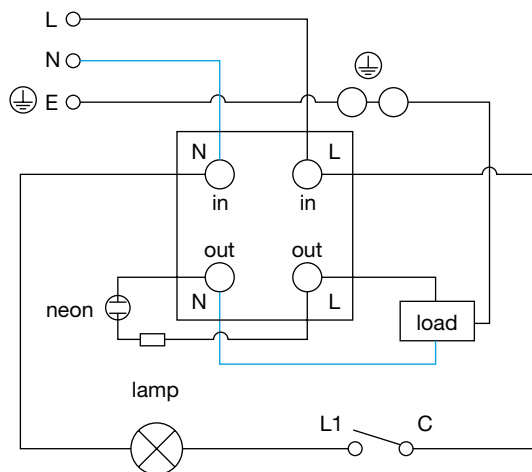
**Double Pole Control Switch**



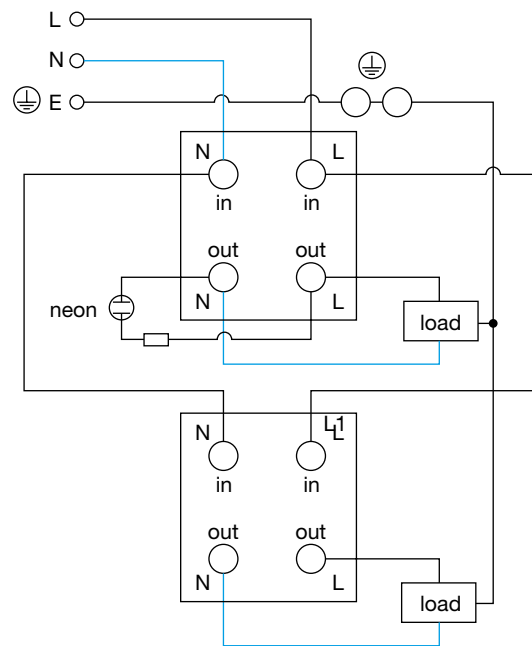
**Double pole control switch with neon**



**Double pole control switch 20AX with neon + 10AX**

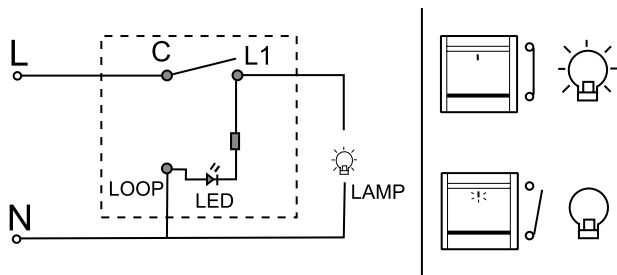


**Double pole control switch 20AX without neon + 20AX with neon**

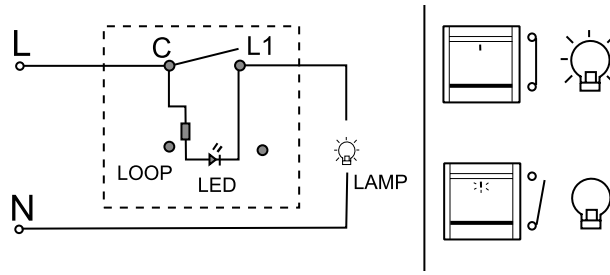


**One way large dolly switch with LED**

**1. LED as location indicator**

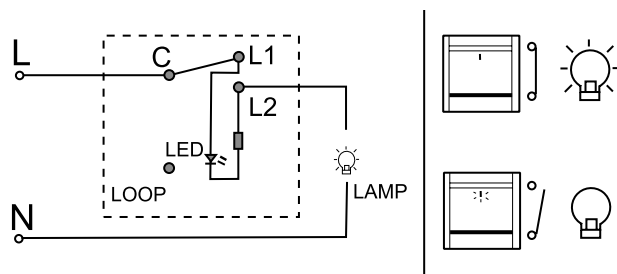


**2. LED as ON indicator**

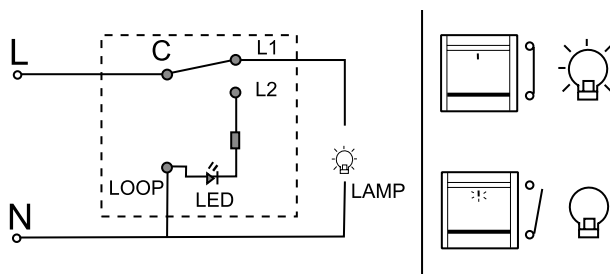


**Two way large dolly switch with LED**

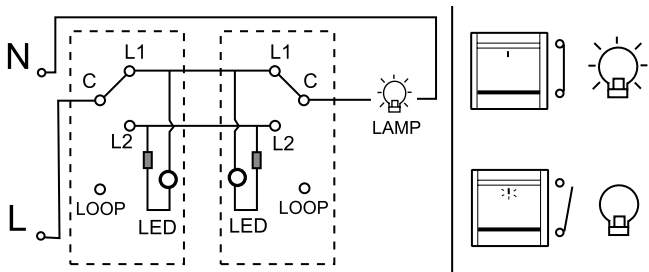
**1. LED as location indicator**



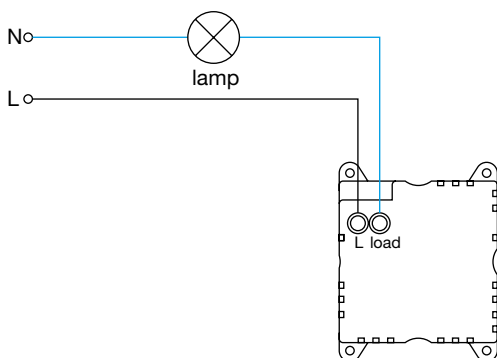
**2. LED as ON indicator**



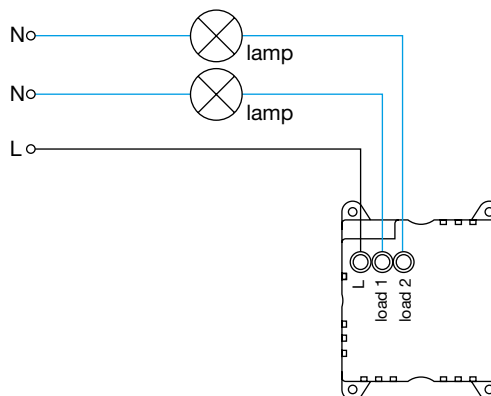
**3. LED as location indicator**



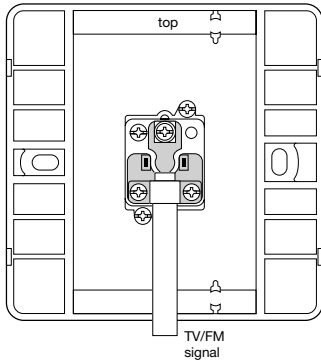
**600W 1 gang large dolly dimming**  
Switch with neon (cycle action)



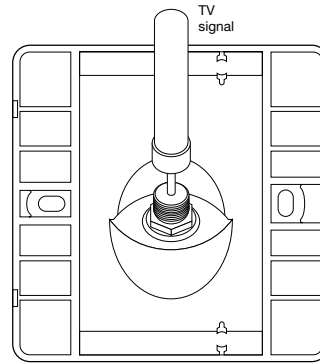
**400W 2 gang large dolly dimming**  
Switch with neon (cycle action)



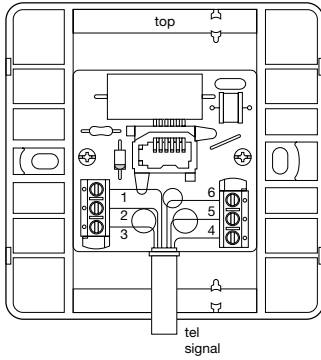
TV & FM connector



RG6 cable TV outlet

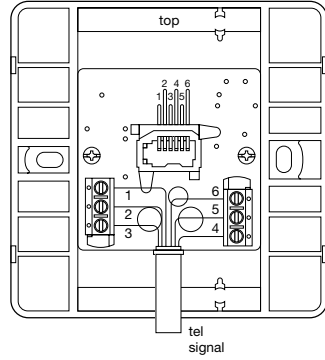


Telephone socket BS style master



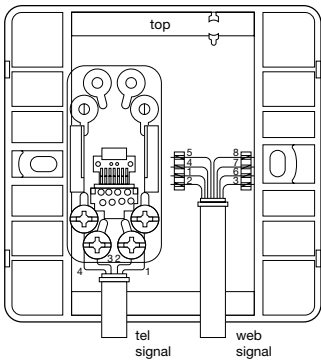
Pin No	Pin code
1	green / white
2	blue / white
3	orange / white
4	white / orange
5	white / blue
6	white / green

Telephone socket BS style slave



Pin No	Pin code
1	green / white
2	blue / white
3	orange / white
4	white / orange
5	white / blue
6	white / green

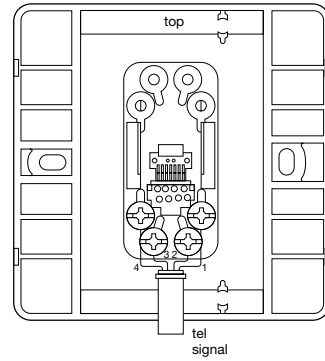
RJ45 + RJ11 data outlet



Pin No	Pin code
1	yellow
2	green
3	red
4	brown

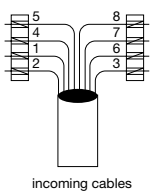
Jack pin	A	B
1	white / green	white / orange
2	green / white	orange / white
3	white / orange	white / green
4	blue / white	blue / white
5	white / blue	white / blue
6	orange / white	green / white
7	white / brown	white / brown
8	brown / white	brown / white

RJ11 data outlet



Pin No	Pin code
1	yellow
2	green
3	red
4	brown

RJ45 data outlet

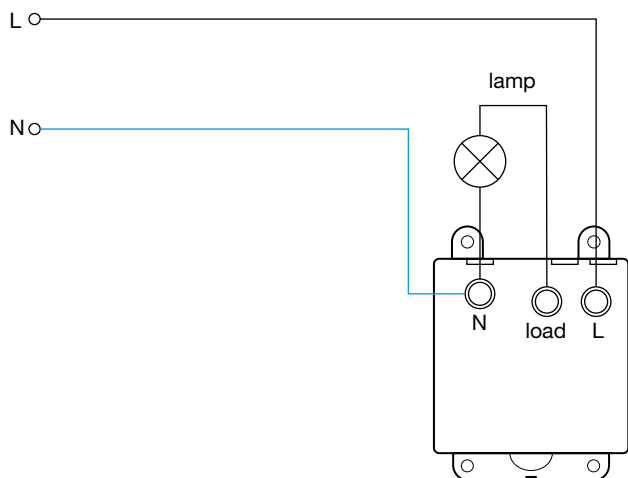


Jack pin	A	B
1	white / green	white / orange
2	green / white	orange / white
3	white / orange	white / green
4	blue / white	blue / white
5	white / blue	white / blue
6	orange / white	green / white
7	white / brown	white / brown
8	brown / white	brown / white

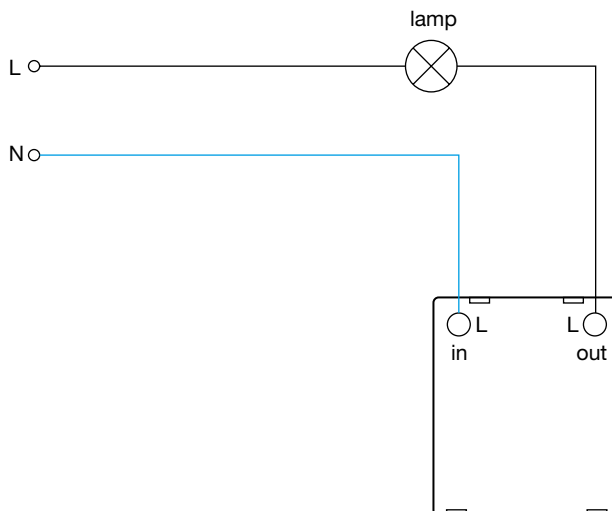


Hotel range

Key tag



Infrared motion detectors



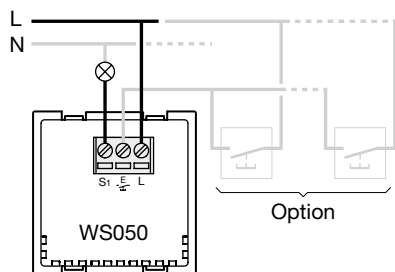
Hotel range

«DND» & PLS CLEAN UP» indication box with door bell

“Do not disturb” and “Please clean up” indication box with door bell

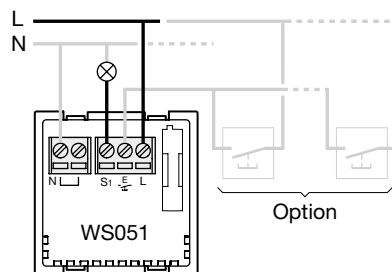
Motion detector

WS050



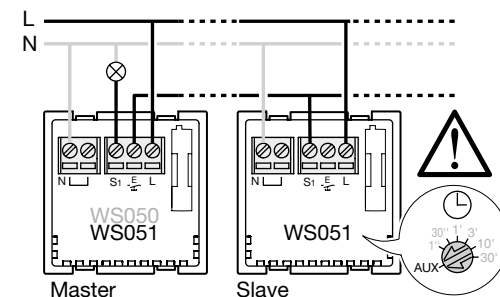
← 40 m maxi →

WS051



← 40 m maxi →

WS050 + WS051 / WS051 + WS051



← 40 m maxi →

Terminal Capacities for White Moulded, Decorative and Grid

Accessory type	rating	Maximum number of conductors per terminal (Solid or Stranded conductors BS 6004)						
		1.0 mm <sup>2</sup>	1.5 mm <sup>2</sup>	2.5 mm <sup>2</sup>	4.0 mm <sup>2</sup>	6.0 mm <sup>2</sup>	10.0 mm <sup>2</sup>	16.0 mm <sup>2</sup>
switches	10AX	4	4	3	2			
dimmers	10AX	4	3					
BS 546 socket outlet	5A	3	3	3	2	2		
shaver socket	10A	4	3	2				
fused connction units	13A			3	2	2		
BS 1363 socket outlets	13A			3	3	2		
BS 546 socket outlet	15A			3	3	2		
flex outlet plates	20A	5	4	3	2	2		
double pole switches	20A			3	2	2	1	
double pole switches	45/50A				3	2	1	1
cooker control unit	45A				3	2	1	1
cooker connection unit	45A				2	3		
grid switches	20AX	4	4	3	2			

Accessory type	rating	Maximum number of conductors per terminal (Flex conductors BS 6500)						
		1.0 mm <sup>2</sup>	1.5 mm <sup>2</sup>	2.5 mm <sup>2</sup>	4.0 mm <sup>2</sup>	6.0 mm <sup>2</sup>	10.0 mm <sup>2</sup>	16.0 mm <sup>2</sup>
switches	10AX							
dimmers	10AX							
BS 546 socket outlet	5A							
shaver socket	10A							
fused connction units	13A	1	1	1	1	1	1	1
BS 1363 socket outlets	13A							
BS 546 socket outlet	15A							
flex outlet plates	20A	1	1	1	1	1	1	1
double pole switches	20A	1	1	1	1	1	1	1
double pole switches	45/50A							
cooker control unit	45A	1	1	1	1	1	1	1
cooker connection unit	45A							
grid switches	20AX							

IP66 isolator dimensions



2 pole

Reference	Current	H	W	D
JG220U	20A	170	84	87
JG232U	32A	170	84	87
JG240U	40A	170	84	87
JG263U	63A	170	84	87

• All dimensions are in mm

3 pole

Reference	Current	H	W	D
JG320U	20A	170	84	87
JG332U	32A	170	84	87
JG340U	40A	170	84	87

• All dimensions are in mm

3 pole + switched neutral

Reference	Current	H	W	D
JG420U	20A	170	84	87
JG432U	32A	170	84	87
JG440U	40A	170	84	87
JG463U	63A	170	84	87

• All dimensions are in mm

2 pole

Reference	Current	H	W	D
JG220IN	20A	170	84	87
JG232IN	32A	170	84	87
JG240IN	40A	170	84	87
JG263IN	63A	170	84	87

• All dimensions are in mm

3 pole

Reference	Current	H	W	D
JG320IN	20A	170	84	87
JG332IN	32A	170	84	87
JG340IN	40A	170	84	87

• All dimensions are in mm

3 pole + switched neutral

Reference	Current	H	W	D
JG420IN	20A	170	84	87
JG432IN	32A	170	84	87
JG440IN	40A	170	84	87
JG463IN	63A	170	84	87

• All dimensions are in mm

