

## Underfloor trunking systems

Amendment to catalogue

“Cable management + Trunking system solutions 2015|2016”









## Help your customers to stay ahead of the game!

The face of modern office architecture is shaped by large glass frontages and expansive interior areas, and classic external walls and internal walls are increasingly on their way out. This means that electrical engineers need to go ever further “underground” if they are to set up a capable, high-performance electrical infrastructure.

At Hager, we wish to continue to offer our active support with this in the future – and this is why we have significantly expanded our range of underfloor trunking systems.



### **The right system for every floor**

The new underfloor trunking systems from Hager offer the perfect solution for every type of floor and for every requirement relating to electrotechnical installations – whether as a floor-mounted trunking system, a screed-covered trunking system, a trunking system that fits flush with the surface of the screed, systems for double floors or systems for cavity floors.

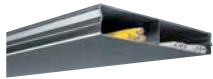







Alongside standard systems, we also continue to offer customised project solutions for special requirements, e. g. systems for heavy-duty loads.

### **Better than ever: the new tehalit.BKB**

As part of the ongoing improvements, we have also optimised some of our more successful solutions: for example, the tehalit.BKB system is now even easier to install and even more practical to use. It is now available with three different variants of the upper part, which feature footfall sound insulation and can be ordered separately from the lower part. Of course, we still offer service posts and workplace connection systems that deliver elegant transitions between floor and workplace.

Help your customers to be happy without walls – with under-floor trunking systems from Hager!



Chapter	Summary		Page
01	<b>Screed-covered trunking systems</b> electraplan.UK		6
02	<b>Screed-flush trunking systems</b> tehalit.BKB   electraplan.BK		48
03	<b>On-the-floor trunking system</b> electraplan.AK   On-the-floor trunking		106
04	<b>Raised floor and cavity floor trunking systems</b> electraplan.DB-HB   Cable outlets   Flat chains and round chains		130
05	<b>Service units and installation units</b> electraplan.VE-EE		154
06	<b>Device casings and installation devices</b> electraplan.GB-EG		216
07	<b>Service posts</b> tehalit.DAP   tehalit.DEP		244
08	<b>Workplace connection system</b> Connecting modules   Universal connection blocks   Mounted and installed connection units		254
09	<b>Technical information</b> General technical information   FAQ		262
10	<b>Appendix</b> Alphanumeric search index   CE installation instructions   Declaration of conformity		284

electraplan.UK

tehalit.BKB  
electraplan.BKelectraplan.AK  
On-the-floor  
trunking

electraplan.DB-HB

electraplan.VE-EE

electraplan.GB-EG

tehalit.DAP |  
tehalit.DEPWorkplace  
connection systemTechnical  
information

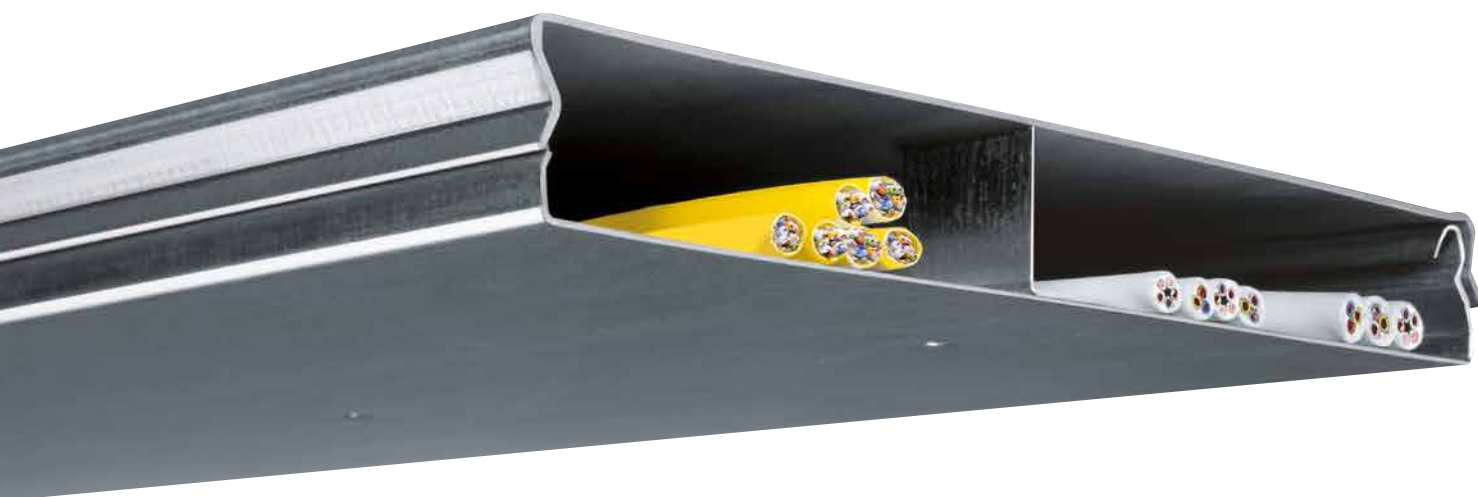
Appendix

# Screed-covered trunking systems

## electraplan.UK

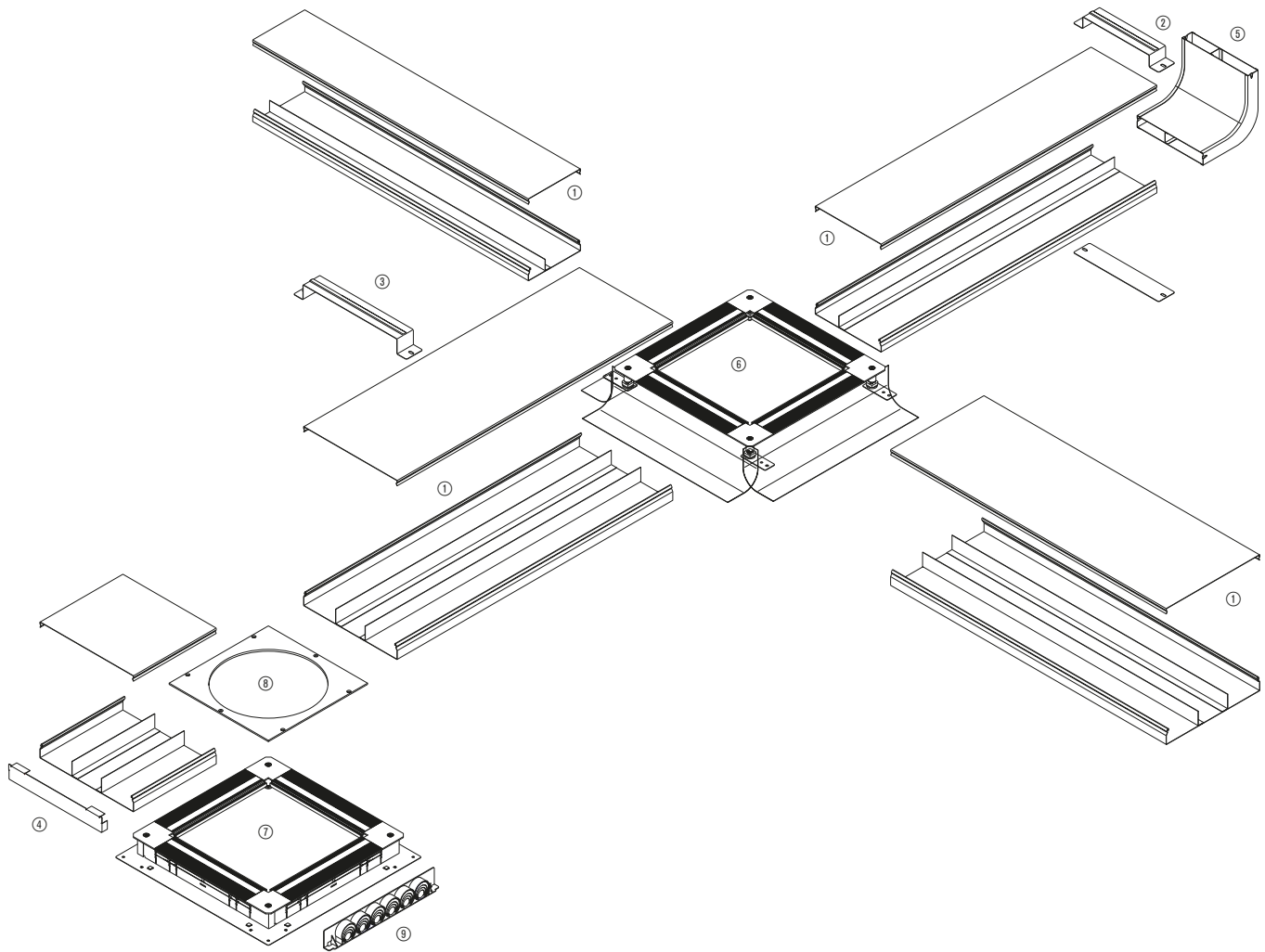
The quick installation system for every application

The flexible solution for all types of screed delivers impressive and practical installation advantages: Pre-assembled underfloor trunking enables quick and easy installation at the construction site, and the snapped-on trunking covers can easily be taken off before the screed is poured to allow simple insertion of the lines from above – rendering complex cable drawing-in processes completely unnecessary. And because all underfloor trunking and junction boxes are made of zinc-plated steel plate in accordance with DIN EN 10327, the entire system is perfectly protected against corrosion.





electraplan.UK	
System overview	8
<hr/>	
Trunking overview	9
<hr/>	
Screed-covered trunking system, trunking width 190 mm	10
<hr/>	
Screed-covered trunking system, trunking width 240 mm	12
<hr/>	
Screed-covered trunking system, trunking width 340 mm	14
<hr/>	
Universal junction boxes	16
<hr/>	
Universal junction boxes, accessories	19
<hr/>	
Formwork elements for service units and height adjustable cassettes	21
<hr/>	
Order number system	22
<hr/>	
Technical information	23
<hr/>	



### electraplan.UK

- ① Basic profile comprising  
Upper and lower part
- ② Clamp
- ③ Bracket
- ④ End bracket
- ⑤ Vertical elbow
- ⑥ Universal junction box with foil casing
- ⑦ Universal junction box with steel plate casing
- ⑧ Fitting frame
- ⑨ Pipe inlet

Trunkings	Trunking width mm	Trunking height mm	Variant	Compartment dimensions mm	Usable cross-section cm <sup>2</sup>	Max. Line allocation Ø 11 mm, half full	Page
UK1900282	190	28	2 compartments	75 / 115	53.2	21 (8 / 13)	10
UK1900283	190	28	3 compartments	60 / 70 / 60	53.2	20 (6 / 8 / 6)	10
UK1900382	190	38	2 compartments	75 / 115	72.2	29 (11 / 18)	10
UK1900383	190	38	3 compartments	60 / 70 / 60	72.2	28 (9 / 10 / 9)	10
UK1900482	190	48	2 compartments	75 / 115	91.2	36 (14 / 22)	10
UK1900483	190	48	3 compartments	60 / 70 / 60	91.2	35 (11 / 13 / 11)	10
UK2400282	240	28	2 compartments	100 / 140	67.2	27 (11 / 16)	12
UK2400283	240	28	3 compartments	85 / 70 / 85	67.2	26 (9 / 8 / 9)	12
UK2400382	240	38	2 compartments	100 / 140	91.2	36 (15 / 21)	12
UK2400383	240	38	3 compartments	85 / 70 / 85	91.2	36 (13 / 10 / 13)	12
UK2400482	240	48	2 compartments	100 / 140	115.2	46 (19 / 27)	12
UK2400483	240	48	3 compartments	85 / 70 / 85	115.2	45 (16 / 13 / 16)	12
UK3400282	340	28	2 compartments	140 / 200	95.2	39 (16 / 23)	14
UK3400283	340	28	3 compartments	115 / 110 / 115	95.2	38 (13 / 12 / 13)	14
UK3400382	340	38	2 compartments	140 / 200	129.2	52 (21 / 31)	14
UK3400383	340	38	3 compartments	115 / 110 / 115	129.2	53 (18 / 17 / 18)	14
UK3400482	340	48	2 compartments	140 / 200	163.2	66 (27 / 39)	14
UK3400483	340	48	3 compartments	115 / 110 / 115	163.2	65 (22 / 21 / 22)	14

- Underfloor trunking UK compliant with DIN EN 50085-1 and 2-2 for screed-covered installation, for installation on bare floor
- Line routing is made quick and easy thanks to the removable covers.

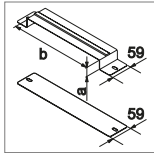
**Standard length**  
2000 mm

**Material**  
Galvanised sheet metal,  
Galvanised in accordance with DIN EN 10327

**Material thickness**  
Upper part 1.25 mm  
Lower part 1.0 mm



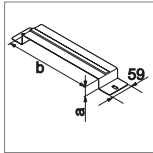
	Basic profile	Trunking height
	Sheet metal	mm
<b>UK190282</b>	<b>UK190282</b> PU 2 m	28
<b>UK190283</b>	<b>UK190283</b> PU 2 m	28
<b>UK190382</b>	<b>UK190382</b> PU 2 m	38
<b>UK190383</b>	<b>UK190383</b> PU 2 m	38
<b>UK190482</b>	<b>UK190482</b> PU 2 m	48
<b>UK190483</b>	<b>UK190483</b> PU 2 m	48



**Clamp**  
Sheet metal

**UKS190280**  
PU 20 pc

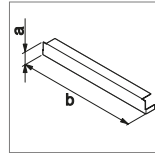
Dim. a = 28 mm  
Dim. b = 190 mm



**Bracket**  
Sheet metal

**UKB190280**  
PU 20 pc

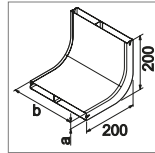
Dim. a = 28 mm  
Dim. b = 190 mm



**End bracket**  
Sheet metal

**UKE190280**  
PU 20 pc

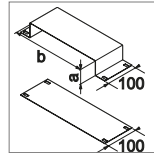
Dim. a = 28 mm  
Dim. b = 190 mm



**Vertical elbow**  
Sheet metal

**UKK190282**  
PU 1 pc

Dim. a = 28 mm  
Dim. b = 190 mm



**Expansion bushing**  
Sheet metal

**UKM190280**  
PU 20 pc

Dim. a = 28 mm  
Dim. b = 190 mm

**UKS190280**  
PU 20 pc

Dim. a = 28 mm  
Dim. b = 190 mm

**UKB190280**  
PU 20 pc

Dim. a = 28 mm  
Dim. b = 190 mm

**UKE190280**  
PU 20 pc

Dim. a = 28 mm  
Dim. b = 190 mm

**UKK190283**  
PU 1 pc

Dim. a = 28 mm  
Dim. b = 190 mm

**UKM190280**  
PU 20 pc

Dim. a = 28 mm  
Dim. b = 190 mm

**UKS190380**  
PU 20 pc

Dim. a = 38 mm  
Dim. b = 190 mm

**UKB190380**  
PU 20 pc

Dim. a = 38 mm  
Dim. b = 190 mm

**UKE190380**  
PU 20 pc

Dim. a = 38 mm  
Dim. b = 190 mm

**UKK190382**  
PU 1 pc

Dim. a = 38 mm  
Dim. b = 190 mm

**UKM190380**  
PU 20 pc

Dim. a = 38 mm  
Dim. b = 190 mm

**UKS190380**  
PU 20 pc

Dim. a = 38 mm  
Dim. b = 190 mm

**UKB190380**  
PU 20 pc

Dim. a = 38 mm  
Dim. b = 190 mm

**UKE190380**  
PU 20 pc

Dim. a = 38 mm  
Dim. b = 190 mm

**UKK190383**  
PU 1 pc

Dim. a = 38 mm  
Dim. b = 190 mm

**UKM190380**  
PU 20 pc

Dim. a = 38 mm  
Dim. b = 190 mm

**UKS190480**  
PU 20 pc

Dim. a = 48 mm  
Dim. b = 190 mm

**UKB190480**  
PU 20 pc

Dim. a = 48 mm  
Dim. b = 190 mm

**UKE190480**  
PU 20 pc

Dim. a = 48 mm  
Dim. b = 190 mm

**UKK190482**  
PU 1 pc

Dim. a = 48 mm  
Dim. b = 190 mm

**UKM190480**  
PU 20 pc

Dim. a = 48 mm  
Dim. b = 190 mm

**UKS190480**  
PU 20 pc

Dim. a = 48 mm  
Dim. b = 190 mm

**UKB190480**  
PU 20 pc

Dim. a = 48 mm  
Dim. b = 190 mm

**UKE190480**  
PU 20 pc

Dim. a = 48 mm  
Dim. b = 190 mm

**UKK190483**  
PU 1 pc

Dim. a = 48 mm  
Dim. b = 190 mm

**UKM190480**  
PU 20 pc

Dim. a = 48 mm  
Dim. b = 190 mm

- Underfloor trunking UK compliant with DIN EN 50085-1 and 2-2 for screed-covered installation, for installation on bare floor
- Line routing is made quick and easy thanks to the removable upper parts.

**Standard length**  
2000 mm

**Material**  
Galvanised sheet metal,  
Galvanised in accordance with DIN EN 10327

**Material thickness**  
Upper part 1.25 mm  
Lower part 1.0 mm



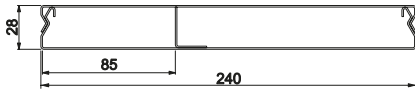
**Basic profile**  
Sheet metal

**Trunking height**  
mm

**UK240282**

**UK240282**  
VPE 2 m

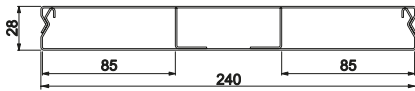
28



**UK240283**

**UK240283**  
VPE 2 m

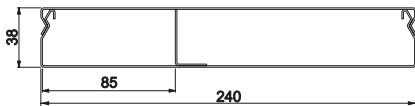
28



**UK240382**

**UK240382**  
VPE 2 m

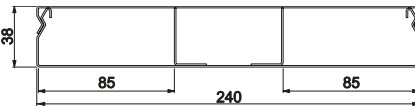
38



**UK240383**

**UK240383**  
VPE 2 m

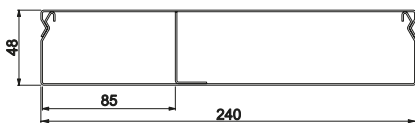
38



**UK240482**

**UK240482**  
VPE 2 m

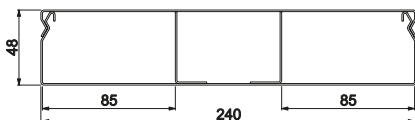
48

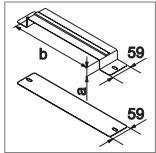


**UK240483**

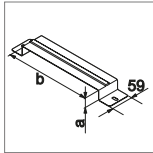
**UK240483**  
VPE 2 m

48

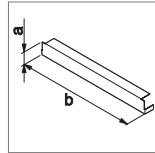




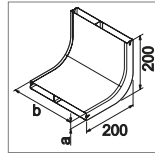
**Clamp**  
Sheet metal



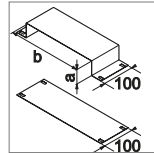
**Bracket**  
Sheet metal



**End bracket**  
Sheet metal



**Vertical elbow**  
Sheet metal



**Expansion bushing**  
Sheet metal

**UKS240280**  
PU 20 pc

Dim. a = 28 mm  
Dim. b = 240 mm

**UKB240280**  
PU 20 pc

Dim. a = 28 mm  
Dim. b = 240 mm

**UKE240280**  
PU 20 pc

Dim. a = 28 mm  
Dim. b = 240 mm

**UKK240282**  
PU 1 pc

Dim. a = 28 mm  
Dim. b = 240 mm

**UKM240280**  
PU 20 pc

Dim. a = 28 mm  
Dim. b = 240 mm

**UKS240280**  
PU 20 pc

Dim. a = 28 mm  
Dim. b = 240 mm

**UKB240280**  
PU 20 pc

Dim. a = 28 mm  
Dim. b = 240 mm

**UKE240280**  
PU 20 pc

Dim. a = 28 mm  
Dim. b = 240 mm

**UKK240283**  
PU 1 pc

Dim. a = 28 mm  
Dim. b = 240 mm

**UKM240280**  
PU 20 pc

Dim. a = 28 mm  
Dim. b = 240 mm

**UKS240380**  
PU 20 pc

Dim. a = 38 mm  
Dim. b = 240 mm

**UKB240380**  
PU 20 pc

Dim. a = 38 mm  
Dim. b = 240 mm

**UKE240380**  
PU 20 pc

Dim. a = 38 mm  
Dim. b = 240 mm

**UKK240382**  
PU 1 pc

Dim. a = 38 mm  
Dim. b = 240 mm

**UKM240380**  
PU 20 pc

Dim. a = 38 mm  
Dim. b = 240 mm

**UKS240380**  
PU 20 pc

Dim. a = 38 mm  
Dim. b = 240 mm

**UKB240380**  
PU 20 pc

Dim. a = 38 mm  
Dim. b = 240 mm

**UKE240380**  
PU 20 pc

Dim. a = 38 mm  
Dim. b = 240 mm

**UKK240383**  
PU 1 pc

Dim. a = 38 mm  
Dim. b = 240 mm

**UKM240380**  
PU 20 pc

Dim. a = 38 mm  
Dim. b = 240 mm

**UKS240480**  
PU 20 pc

Dim. a = 48 mm  
Dim. b = 240 mm

**UKB240480**  
PU 20 pc

Dim. a = 48 mm  
Dim. b = 240 mm

**UKE240480**  
PU 20 pc

Dim. a = 48 mm  
Dim. b = 240 mm

**UKK240482**  
PU 1 pc

Dim. a = 48 mm  
Dim. b = 240 mm

**UKM240480**  
PU 20 pc

Dim. a = 48 mm  
Dim. b = 240 mm

**UKS240480**  
PU 20 pc

Dim. a = 48 mm  
Dim. b = 240 mm

**UKB240480**  
PU 20 pc

Dim. a = 48 mm  
Dim. b = 240 mm

**UKE240480**  
PU 20 pc

Dim. a = 48 mm  
Dim. b = 240 mm

**UKK240483**  
PU 1 pc

Dim. a = 48 mm  
Dim. b = 240 mm

**UKM240480**  
PU 20 pc

Dim. a = 48 mm  
Dim. b = 240 mm

- Underfloor trunking UK compliant with DIN EN 50085-1 and 2-2 for screed-covered installation, for installation on bare floor
- Line routing is made quick and easy thanks to the removable upper parts.

**Standard length**  
2000 mm

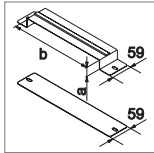
**Material**  
Galvanised sheet metal,  
Galvanised in accordance with DIN EN 10327

**Material thickness**  
Upper part 1.25 mm  
Lower part 1.0 mm

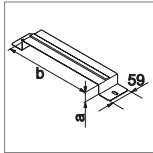


	Basic profile	Trunking height
	Sheet metal	mm
<p><b>UK340282</b></p>	<p><b>UK340282</b> PU 2 m</p>	28
<p><b>UK340283</b></p>	<p><b>UK340283</b> PU 2 m</p>	28
<p><b>UK340382</b></p>	<p><b>UK340382</b> PU 2 m</p>	38
<p><b>UK340383</b></p>	<p><b>UK340383</b> PU 2 m</p>	38
<p><b>UK340482</b></p>	<p><b>UK340482</b> PU 2 m</p>	48
<p><b>UK340483</b></p>	<p><b>UK340483</b> PU 2 m</p>	48

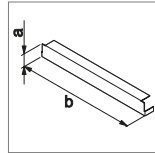




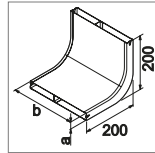
**Clamp**  
Sheet metal



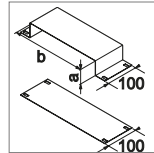
**Bracket**  
Sheet metal



**End bracket**  
Sheet metal



**Vertical elbow**  
Sheet metal



**Expansion bushing**  
Sheet metal

**UKS340280**  
PU 20 pc

Dim. a = 28 mm  
Dim. b = 340 mm

**UKB340280**  
PU 20 pc

Dim. a = 28 mm  
Dim. b = 340 mm

**UKE340280**  
PU 20 pc

Dim. a = 28 mm  
Dim. b = 340 mm

**UKK340282**  
PU 1 pc

Dim. a = 28 mm  
Dim. b = 340 mm

**UKM340280**  
PU 20 pc

Dim. a = 28 mm  
Dim. b = 340 mm

**UKS340280**  
PU 20 pc

Dim. a = 28 mm  
Dim. b = 340 mm

**UKB340280**  
PU 20 pc

Dim. a = 28 mm  
Dim. b = 340 mm

**UKE340280**  
PU 20 pc

Dim. a = 28 mm  
Dim. b = 340 mm

**UKK340283**  
PU 1 pc

Dim. a = 28 mm  
Dim. b = 340 mm

**UKM340280**  
PU 20 pc

Dim. a = 28 mm  
Dim. b = 340 mm

**UKS340380**  
PU 20 pc

Dim. a = 38 mm  
Dim. b = 340 mm

**UKB340380**  
PU 20 pc

Dim. a = 38 mm  
Dim. b = 340 mm

**UKE340380**  
PU 20 pc

Dim. a = 38 mm  
Dim. b = 340 mm

**UKK340382**  
PU 1 pc

Dim. a = 38 mm  
Dim. b = 340 mm

**UKM340380**  
PU 20 pc

Dim. a = 38 mm  
Dim. b = 340 mm

**UKS340380**  
PU 20 pc

Dim. a = 38 mm  
Dim. b = 340 mm

**UKB340380**  
PU 20 pc

Dim. a = 38 mm  
Dim. b = 340 mm

**UKE340380**  
PU 20 pc

Dim. a = 38 mm  
Dim. b = 340 mm

**UKK340383**  
PU 1 pc

Dim. a = 38 mm  
Dim. b = 340 mm

**UKM340380**  
PU 20 pc

Dim. a = 38 mm  
Dim. b = 340 mm

**UKS340480**  
PU 20 pc

Dim. a = 48 mm  
Dim. b = 340 mm

**UKB340480**  
PU 20 pc

Dim. a = 48 mm  
Dim. b = 340 mm

**UKE340480**  
PU 20 pc

Dim. a = 48 mm  
Dim. b = 340 mm

**UKK340482**  
PU 1 pc

Dim. a = 48 mm  
Dim. b = 340 mm

**UKM340480**  
PU 20 pc

Dim. a = 48 mm  
Dim. b = 340 mm

**UKS340480**  
PU 20 pc

Dim. a = 48 mm  
Dim. b = 340 mm

**UKB340480**  
PU 20 pc

Dim. a = 48 mm  
Dim. b = 340 mm

**UKE340480**  
PU 20 pc

Dim. a = 48 mm  
Dim. b = 340 mm

**UKK340483**  
PU 1 pc

Dim. a = 48 mm  
Dim. b = 340 mm

**UKM340480**  
PU 20 pc

Dim. a = 48 mm  
Dim. b = 340 mm

- Underfloor universal junction box in accordance with DIN EN 50085-1 and -2-2
- With internal stepless height adjustment
- With bottom plate and flexible transparent casing for installation in the screed layer
- Connection of underfloor trunking could not be easier – simply cut the foil with scissors or a knife
- Suitable for the mounting of installation units via a fitting frame (to be ordered separately)
- With factory-fitted footfall noise insulation and height-adjustment set screws
- Height-adjustable from the minimum installation height

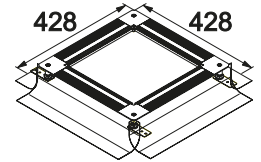


UDB2120170

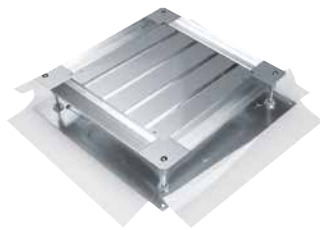
**Universal junction box with bottom plate, size 2**

**Properties:**

- For max. 4 sets of trunking with a nominal width of 240 mm



Designation	Height adjustment range [mm]	PU	Order no.
Underfloor box with bottom plate size 2 50-80		8	<b>UDB2050080</b>
Underfloor box with bottom plate size 2 75-125		5	<b>UDB2075125</b>
Underfloor box with bottom plate size 2 120-170		9	<b>UDB2120170</b>
Underfloor box with bottom plate size 2 165-215		5	<b>UDB2165215</b>
Underfloor box with bottom plate size 2 215-265		5	<b>UDB2215265</b>

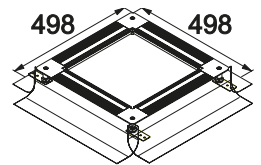


UDB3120170

**Universal junction box with bottom plate, size 3**

**Properties:**

- For max. 4 sets of trunking with a nominal width of 340 mm



Designation	Height adjustment range [mm]	PU	Order no.
Underfloor box with bottom plate size 3 50-80		8	<b>UDB3050080</b>
Underfloor box with bottom plate size 3 75-125		5	<b>UDB3075125</b>
Underfloor box with bottom plate size 3 120-170		9	<b>UDB3120170</b>
Underfloor box with bottom plate size 3 165-215		5	<b>UDB3165215</b>
Underfloor box with bottom plate size 3 215-265		5	<b>UDB3215265</b>

- Underfloor universal junction box in accordance with DIN EN 50085-1 and -2-2
- With internal stepless height adjustment
- With bottom plate and flexible transparent casing for installation in the screed layer
- Connection of underfloor trunking could not be easier – simply cut the foil with scissors or a knife
- Suitable for the mounting of installation units via a fitting frame (to be ordered separately)
- With factory-fitted footfall noise insulation and height-adjustment set screws
- Height-adjustable from the minimum installation height

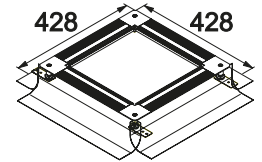
**Universal junction box with retaining tabs, size 2**



UDH2120170

**Properties:**

- For max. 4 sets of trunking with a nominal width of 240 mm



Designation	Height adjustment range [mm]	PU	Order no.
Underfloor box with retaining tabs size 2 50-80		8	<b>UDH2050080</b>
Underfloor box with retaining tabs size 2 75-125		5	<b>UDH2075125</b>
Underfloor box with retaining tabs size 2 120-170		9	<b>UDH2120170</b>
Underfloor box with retaining tabs size 2 165-215		5	<b>UDH2165215</b>
Underfloor box with retaining tabs size 2 215-265		5	<b>UDH2215265</b>

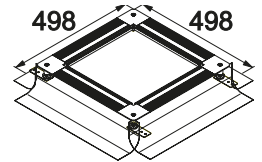
**Universal junction box with retaining tabs, size 3**



UDH3120170

**Properties:**

- For max. 4 sets of trunking with a nominal width of 340 mm



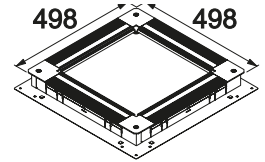
Designation	Height adjustment range [mm]	PU	Order no.
Underfloor box with retaining tabs size 3 50-80		8	<b>UDH3050080</b>
Underfloor box with retaining tabs size 3 75-125		5	<b>UDH3075125</b>
Underfloor box with retaining tabs size 3 120-170		9	<b>UDH3120170</b>
Underfloor box with retaining tabs size 3 165-215		5	<b>UDH3165215</b>
Underfloor box with retaining tabs size 3 215-265		5	<b>UDH3215265</b>

- Underfloor universal junction box in accordance with DIN EN 50085-1 and -2-2
- With internal stepless height adjustment
- With bottom plate and sheet metal casing for installation in the screed layer
- Suitable for the mounting of installation units via a fitting frame (to be ordered separately)
- The sheet metal walls have a perforation matching the cross-sectional pattern of the underfloor trunking UK.
- Minimum installation height 70 mm
- Height adjustment above 120 mm only possible with levelling frame

**Universal junction box with sheet metal casing size 3**

**Properties:**

- For max. 4 sets of trunking with a nominal width of 340 mm



UDS3070120

Designation	Height adjustment range [mm]	PU	Order no.
Underfloor box, sheet metal, size 3	70-120	3	<b>UDS3070120</b>

**Material:**  
Galvanised sheet metal,  
Galvanised in accordance with  
DIN EN 10327

**Material thickness:**  
4 mm

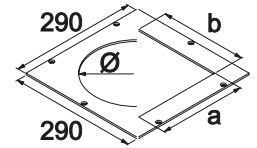


UDM2200Q06

**Fitting frame size 2**

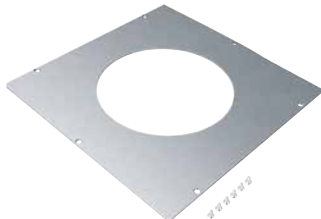
**Properties:**

- For installation of service units or blank covers, as a base for pedestal boxes or as a blank cover
- Dimensions: 290 x 290 mm



Designation	Ø [mm]	a [mm]	b [mm]	PU	Order no.
Fitting frame for underfloor box size 2 blank				5	<b>UDM2000BLD</b>
Fitting frame for underfloor box size 2 with blankings GBZ	50			10	<b>UDM2050GBZ</b>
Fitting frame for underfloor box size 2 with blankings E04		147	247	10	<b>UDM2147E04</b>
Fitting frame for underfloor box size 2 with blankings E09		200	253	10	<b>UDM2200E09</b>
Fitting frame for underfloor box size 2 with blankings Q06		200	200	10	<b>UDM2200Q06</b>
Fitting frame for underfloor box size 2 with blankings R06	215			10	<b>UDM2215R06</b>
Fitting frame for underfloor box size 2 with blankings Q12		244	244	10	<b>UDM2244Q12</b>

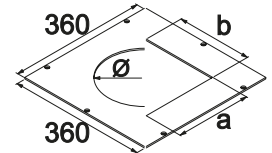
**Fitting frame size 3**



UDM3215R06

**Properties:**

- For installation of service units or blank covers, as a base for pedestal boxes or as a blank cover
- Dimensions: 360 x 360 mm



Designation	Ø [mm]	a [mm]	b [mm]	PU	Order no.
Fitting frame for underfloor box size 3 blank				5	<b>UDM3000BLD</b>
Fitting frame for underfloor box size 3 with blankings GBZ	50			10	<b>UDM3050GBZ</b>
Fitting frame for underfloor box size 3 with blankings E04		147	247	10	<b>UDM3147E04</b>
Fitting frame for underfloor box size 3 with blankings E09		200	253	10	<b>UDM3200E09</b>
Fitting frame for underfloor box size 3 with blankings Q06		200	200	10	<b>UDM3200Q06</b>
Fitting frame for underfloor box size 3 with blankings R06	215			10	<b>UDM3215R06</b>
Fitting frame for underfloor box size 3 with blankings Q12		244	244	10	<b>UDM3244Q12</b>
Fitting frame for underfloor box size 3 with blankings R10	275			10	<b>UDM3275R10</b>
Fitting frame for underfloor box size 3 with blankings Q08		294	294	10	<b>UDM3294Q08</b>
Fitting frame for underfloor box size 3 with blankings R12	306			10	<b>UDM3306R12</b>

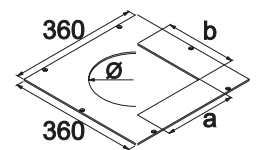
**Heavy-duty fitting frame size 3**



UDM3215SLR06

**Properties:**

- For installation of service units or blank covers, as a base for pedestal boxes or as a blank cover
- Height-adjustment set screws need to be ordered separately
- Dimensions: 360 x 360 mm



Designation	Ø [mm]	a [mm]	b [mm]	PU	Order no.
Heavy-duty fitting frame with blankings Q06		200	200	1	<b>UDM3200SLQ06</b>
Heavy-duty fitting frame with blankings Q12		244	244	1	<b>UDM3244SLQ12</b>
Heavy-duty fitting frame with blankings R06	215			1	<b>UDM3215SLR06</b>
Heavy-duty fitting frame with blankings R12	306			1	<b>UDM3306SLR12</b>

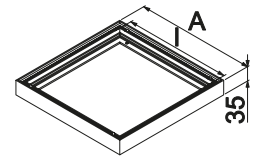


UDAR335

**Levelling frame**

**Properties:**

- Levelling frame made of aluminium for fitting frame UDM
- For adjustment to screed layers with a height of more than 35 mm



Designation	Outer dimension A [mm]	Internal dimension I [mm]	PU	Order no.
Levelling frame size 2 height 35 mm	296 x 296	290 x 290	1	<b>UDAR235</b>
Levelling frame size 3 height 35 mm	366 x 366	360 x 360	1	<b>UDAR335</b>

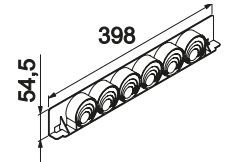


UDS32050RE

**Pipe inlet for universal junction box with bottom plate and sheet metal casing**

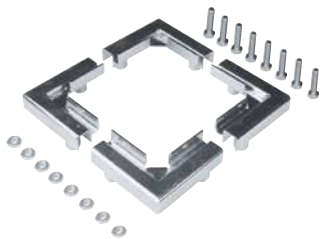
**Properties:**

- Pipe inlet made of plastic, for connection of electrical installation pipes to underfloor box UDS3070120
- With pre-stamped sealing plugs for pipe diameters 20, 32, 40 and 50 mm



**Material:**  
 Polyamide

Designation	PU	Order no.
Pipe inlet for underfloor box UDS3070120	260	<b>UDS32050RE</b>



UDSLS098

**Heavy-duty frame**

**Properties:**

- Heavy-duty frames are supplied as a set (with height-adjustment set screws)
- Suitable for use with universal junction boxes UDB, UDH, UDS size 3
- Heavy-duty frames can be subjected to loads of up to 20 kN in conjunction with heavy-duty fitting frames

Designation	Height adjustment range [mm]	PU	Order no.
Heavy-duty frame for screed height 073-098		4	<b>UDSLS098</b>
Heavy-duty frame for screed height 093-118		4	<b>UDSLS118</b>
Heavy-duty frame for screed height 113-138		4	<b>UDSLS138</b>
Heavy-duty frame for screed height 138-163		4	<b>UDSLS163</b>
Heavy-duty frame for screed height 158-183		4	<b>UDSLS183</b>
Heavy-duty frame for screed height 178-203		4	<b>UDSLS203</b>
Heavy-duty frame for screed height 198-223		4	<b>UDSLS223</b>

**Material**  
 Junction box: Galvanised steel sheet  
 Main body: Plastic, PP  
 Formwork element: Styropor

**Shapes**  
 E04: cornered 147 x 247 mm  
 E09: cornered 200 x 253 mm  
 R06: round 215 mm  
 R2: round 242 mm  
 R10: round 275 mm  
 R12: round 306 mm  
 Q06: square 200 x 200 mm  
 Q12: square 244 x 244 mm  
 Q08: square 294 x 294 mm

**Note**  
 - orientate formwork elements before casting the screed  
 - remove the formwork element after the screed is set

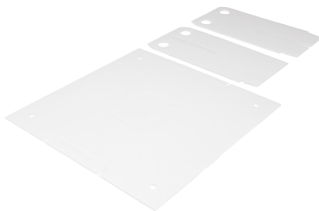


SEBD500GT

### Junction box with steel sheet formwork for formwork elements

**Properties:**  
 - 500 x 500 mm  
 - including base support

Designation	PU	Order no.
Formwork element floor socket base support	1	<b>SEBD500GT</b>



SEGT350

### Formwork element base support

**Properties:**  
 - 350 x 350 mm  
 - For use with e.g. cavity floors

Designation	PU	Order no.
Formwork element base support 350x350 mm	1	<b>SEGT350</b>



SEVR06200

### Formwork elements for service units and height adjustable cassettes

**Properties:**  
 - height 200 mm  
 - in 5 segments with 40 mm height, divisible, can thus be matched with floor construction height

Designation	PU	Order no.
Formwork element VE04 147x247mm H=200mm	1	<b>SEVE04200</b>
Formwork element VE09 200x253mm H=200mm	1	<b>SEVE09200</b>
Formwork element VR06 rund 215mm H=200mm	1	<b>SEVR06200</b>
Formwork element VR2 rund 242mm H=200mm	1	<b>SEVR2200</b>
Formwork element VR10 rund 275mm H=200mm	1	<b>SEVR10200</b>
Formwork element VR12 rund 306mm H=200mm	1	<b>SEVR12200</b>
Formwork element VQ06 200x200mm H=200mm	1	<b>SEVQ06200</b>
Formwork element VQ12 244x244mm H=200mm	1	<b>SEVQ12200</b>
Formwork element VQ08 294x294mm H=200mm	1	<b>SEVQ08200</b>

### Underfloor trunking

Identifier	Type	Trunking width	Trunking height	Number of compartments
UK = underfloor trunking	W = basic profile E = end bracket B = bracket K = vertical elbow S = Clamp M = expansion bushing	X 190 = 190 mm 240 = 240 mm 340 = 340 mm	Y 28 = 28 mm 38 = 38 mm 48 = 48 mm	Z 0 = no compartments 2 = two compartments 3 = three compartments

### Universal junction box

Identifier	Variant	Size	Height adjustment range
UD = underfloor junction box	X B = with bottom plate H = with retaining tabs S = with sheet metal casing	Y 2 = 428 x 428 mm 3 = 498 x 498 mm	Z 050080 = 50 - 80 mm 075125 = 75 - 125 mm 120170 = 120 - 170 mm 165215 = 165 - 215 mm 215265 = 215 - 265 mm  For version S only: 070120 = 70 - 120 mm

### Fitting frame

Identifier	Variant	Size	Size and type of blankings
UD = underfloor junction box	X M = fitting frame	Y 2 = 290 x 290 mm 3 = 360 x 360 mm	Z 000BLD = no blanking 050GBZ = blanking GBZ round 50 mm 215R06 = blanking R06 round 215 mm 275R10 = blanking R10 round 275 mm 306R12 = blanking R12 round 306 mm 200Q06 = blanking Q06 200 x 200 mm 294Q08 = blanking Q08 294 x 294 mm 244Q12 = blanking Q12 244 x 244 mm 147E04 = blanking E04 147 x 247 mm 200E09 = blanking E09 200 x 253 mm

### Levelling frame and pipe inlet

Identifier	Variant	Size	Elevation/pre-stamping	Type
UD = underfloor junction box	W AR = levelling frame S = with sheet metal casing	X 2 = 428 x 428 mm 3 = 498 x 498 mm 2050 = pre-stamping 20 - 32 - 40 - 50 mm	Y 35 = 35 mm	RE = pipe insert

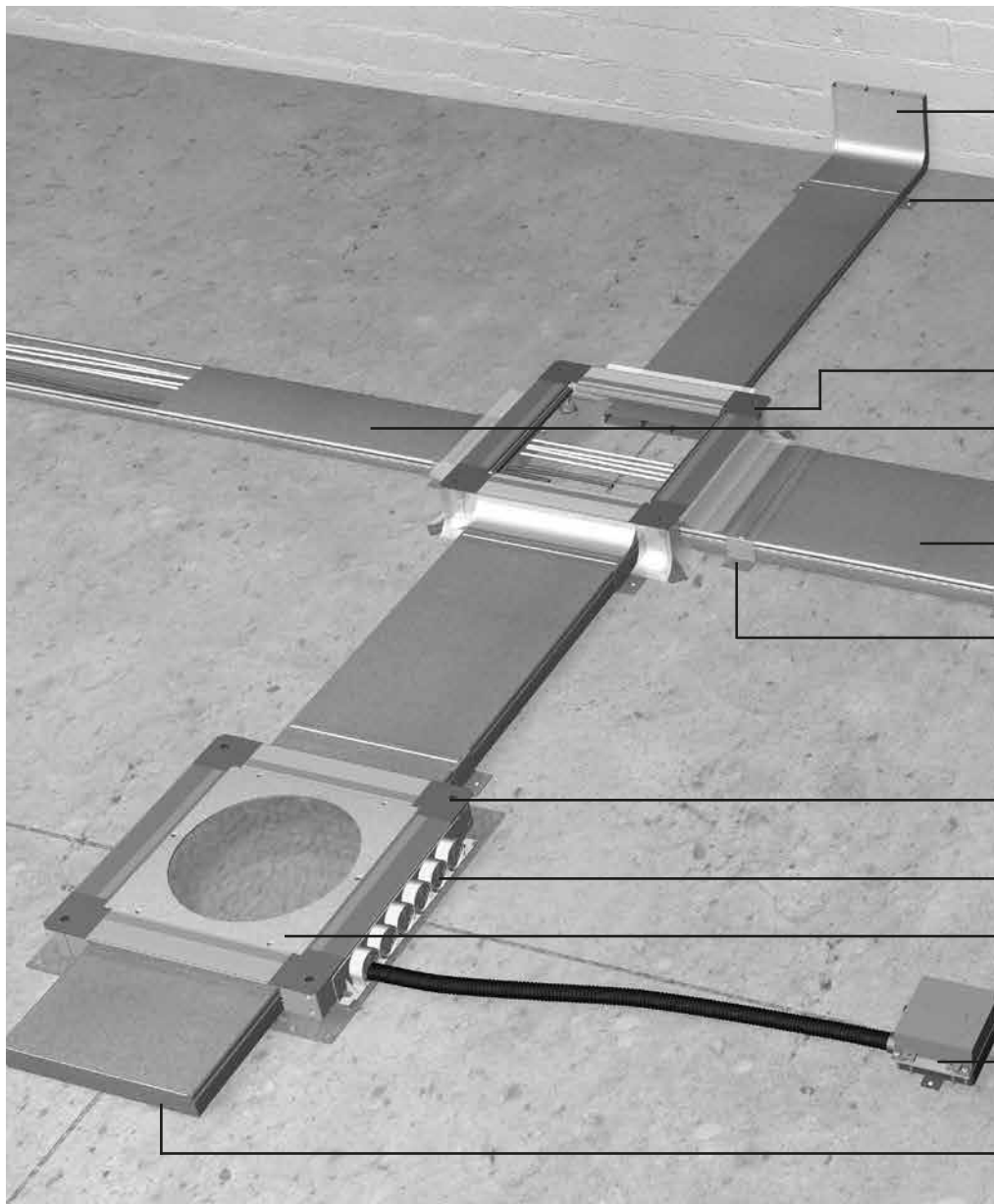
### Heavy-duty frame and fitting frame for heavy loads

Identifier	Variant	Screed height range
UD = underfloor junction box	Y SLS = heavy-duty frame	Z 098 = 073 - 098 mm 118 = 093 - 118 mm 138 = 113 - 138 mm 163 = 138 - 163 mm 183 = 158 - 183 mm 203 = 178 - 203 mm 223 = 198 - 223 mm

Identifier	Variant	Size of blanking	Type	Type of blanking
UD = underfloor junction box	W M3 = fitting frame size 3	X 200 = 200 x 200 mm 244 = 244 x 240 mm 215 = round 215 mm 306 = round 306 mm	Y SL = heavy-duty	Z Q06 = blanking Q06 200 x 200 mm Q12 = blanking Q12 244 x 244 mm R06 = blanking R06 round 215 mm R12 = blanking R12 round 306 mm



Screed-covered trunking systems



Vertical elbow  
UKK240383

Clamp  
UKS240380

Universal junction box  
UDH3120170

Underfloor trunking  
UK190382

Underfloor trunking  
UK340483

Bracket  
UKB340480

Universal junction box  
UDS3070120

Pipe inlet  
UDS32050RE

Fitting frame  
UDM3306R12

Junction box, square  
UDAQ125A

End bracket  
UKE340480

**Advantages at a glance**

**Quick and easy installation**

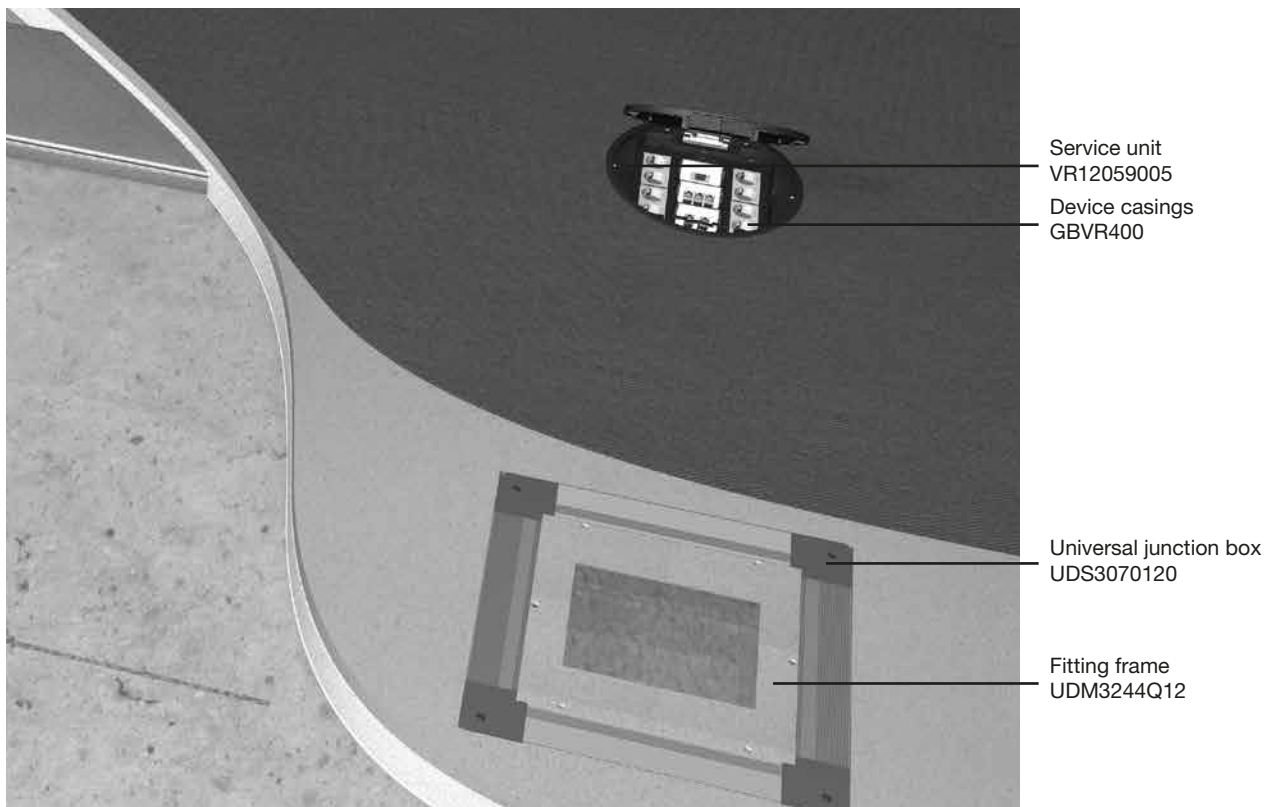
The pre-fabricated underfloor trunking system with accessories enables quick and easy installation on-site.

**Robust quality**

All underfloor trunking and junction boxes are made of galvanised sheet metal in accordance with DIN EN 10327 and are therefore protected against corrosion.

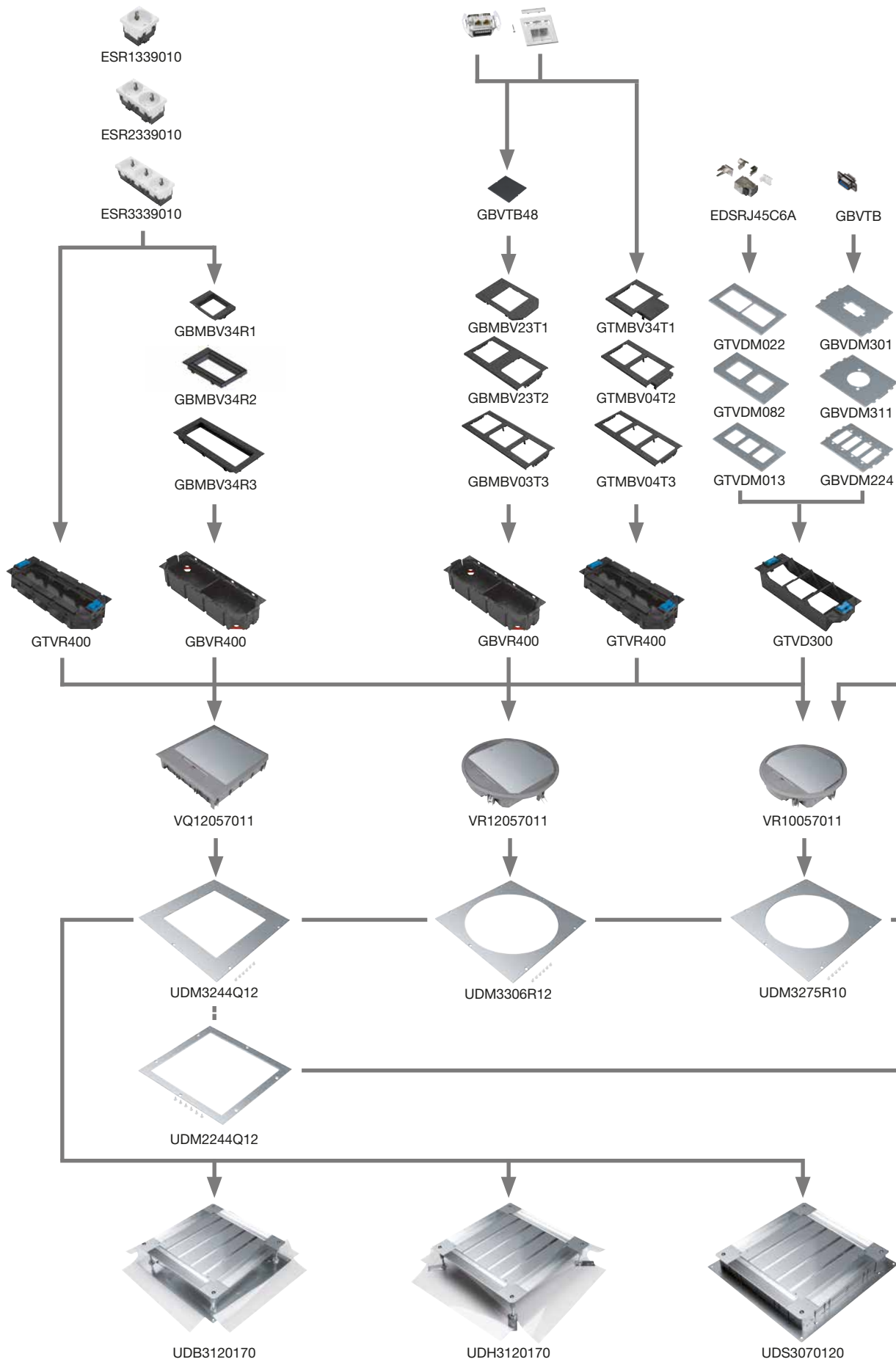
**Easy cable routing and installation**

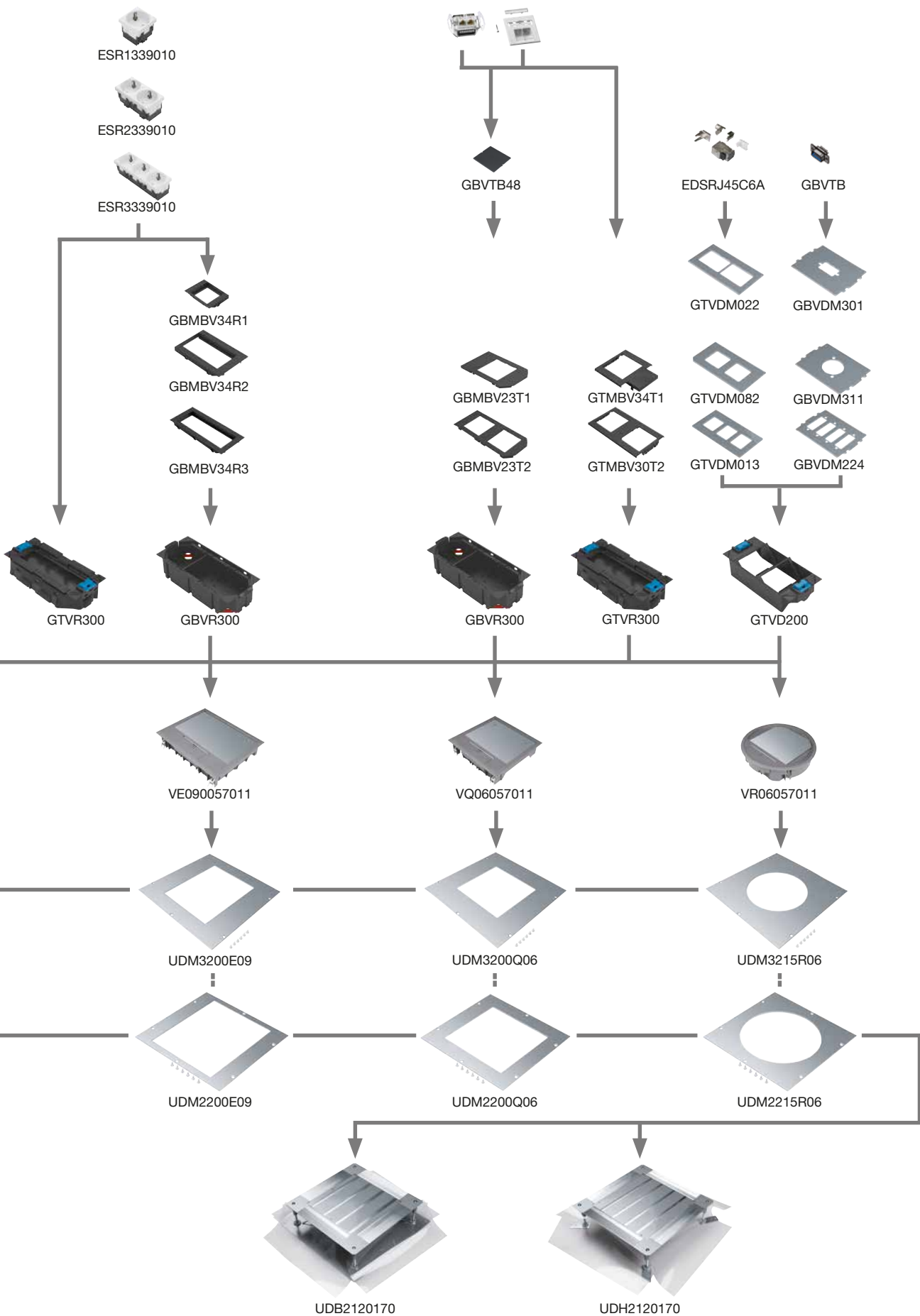
The covers of the underfloor trunking are snapped on and can be taken off before the screed is poured. Cables can be placed in the open trunking from above. This means that there is no need for the complicated process of pulling the wiring into the trunking. This facilitates a convenient, space-saving, orderly and bundled installation of cables.





Selection of a number of possible combinations

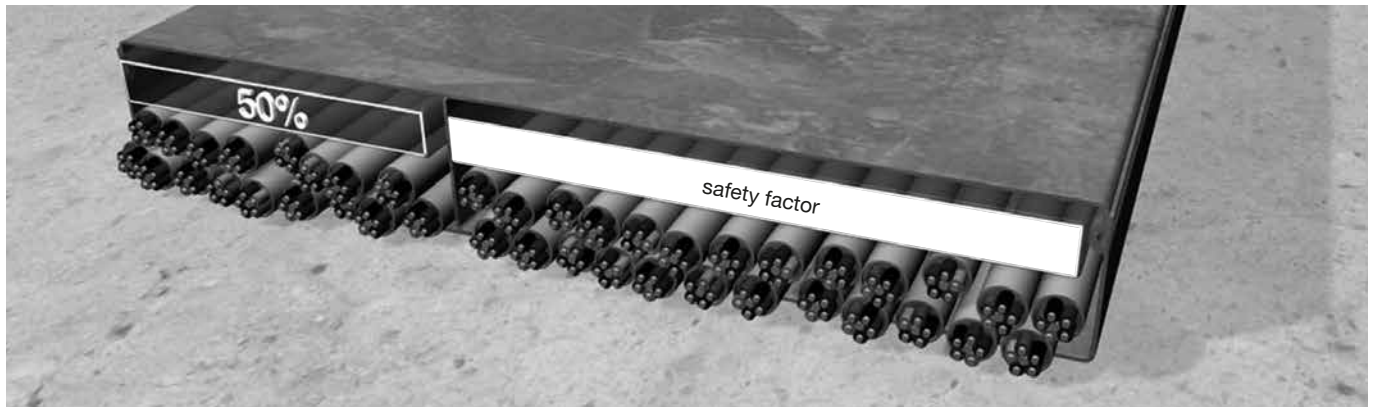




**Determining the line volume**

The line volume must be known in order to define the correct trunking size. In practice, lines never run perfectly in parallel and side-by-side in a way that would ensure maximum space utilisation. This is why the formula  $(d)^2$ , i.e. the diameter squared, must be applied. To ensure sufficient space for possible later retrofitting, trunking ducts should only be filled to 50% of their volume. This also makes it easier to pull the lines into the trunking. Also, it must be noted that the calculation does not take into account bottom troughs and outlets that possibly interrupt the line path. In practice, energy and data lines are routed separately from each other in the trunking. Partition walls separate the trunking into several compartments. If this applies to your installation, then calculate the volume required for each compartment separately.

The line volume configurator provided at [www.hager.de](http://www.hager.de) will help you make the necessary calculations. The values calculated are for guide purposes only. Heat dissipation caused by lines carrying high currents must be taken into account. Compliance with all applicable regulations such as DIN VDE 0100 must be ensured.



Compartment width mm	Nominal height of trunking mm	Usable cross-section cm <sup>2</sup>	Line diameter in mm																
			5	6	7	8	9	10	11	12	13	14	15	16	17	18	19	20	
60	28	16.8	33	23	17	13	10	8	6	5	4	4	3	3	2	2	2	2	
	38	22.8	45	31	23	17	14	11	9	7	6	5	5	4	3	3	3	2	
	48	28.8	57	40	29	22	17	14	11	10	8	7	6	5	4	4	3	3	
70	28	19.6	39	27	20	15	12	9	8	6	5	5	4	3	3	3	2	2	
	38	26.6	53	36	27	20	16	13	10	9	7	6	5	5	4	4	3	3	
	48	33.6	67	46	34	26	20	16	13	11	9	8	7	6	5	5	4	4	
75	28	21.0	42	29	21	16	12	10	8	7	6	5	4	4	3	3	2	2	
	38	28.5	57	39	29	22	17	14	11	9	8	7	6	5	4	4	3	3	
	48	36.0	72	50	36	28	22	18	14	12	10	9	8	7	6	5	4	4	
85	28	23.8	47	33	24	18	14	11	9	8	7	6	5	4	4	3	3	2	
	38	32.3	64	44	32	25	19	16	13	11	9	8	7	6	5	4	4	4	
	48	40.8	81	56	41	31	25	20	16	14	12	10	9	7	7	6	5	5	
100	28	28.0	56	38	28	21	17	14	11	9	8	7	6	5	4	4	3	3	
	38	38.0	76	52	38	29	23	19	15	13	11	9	8	7	6	5	5	4	
	48	48.0	96	66	48	37	29	24	19	16	14	12	10	9	8	7	6	6	
110	28	30.8	61	42	31	24	19	15	12	10	9	7	6	6	5	4	4	3	
	38	41.8	83	58	42	32	25	20	17	14	12	10	9	8	7	6	5	5	
	48	52.8	105	73	53	41	32	26	21	18	15	13	11	10	9	8	7	6	
115	28	32.2	64	44	32	25	19	16	13	11	9	8	7	6	5	4	4	4	
	38	43.7	87	60	44	34	26	21	18	15	12	11	9	8	7	6	6	5	
	48	55.2	110	76	56	43	34	27	22	19	16	14	12	10	9	8	7	6	
140	28	39.2	78	54	40	30	24	19	16	13	11	10	8	7	6	6	5	4	
	38	53.2	106	73	54	41	32	26	21	18	15	13	11	10	9	8	7	6	
	48	67.2	134	93	68	52	41	33	27	23	19	17	14	13	11	10	9	8	
200	28	56.0	112	77	57	43	34	28	23	19	16	14	12	10	9	8	7	7	
	38	76.0	152	105	77	59	46	38	31	26	22	19	16	14	13	11	10	9	
	48	96.0	192	133	97	75	59	48	39	33	28	24	21	18	16	14	13	12	

### Application

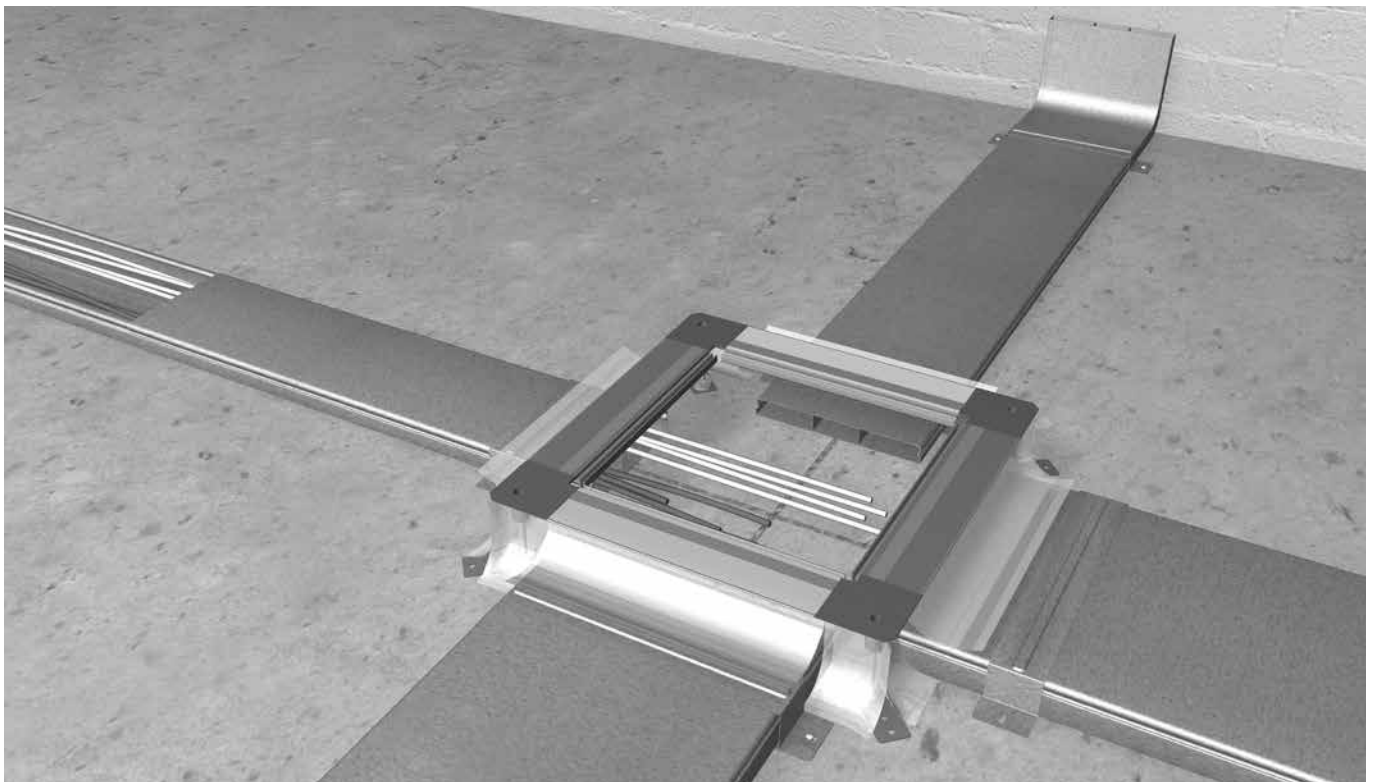
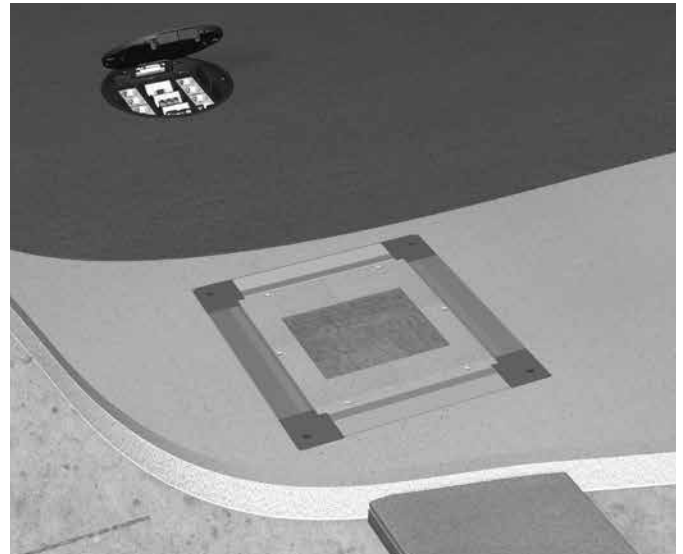
The screed-embedded underfloor trunking system can be used with any kind of screed such as cement screed, floating screed, flowing screed, or, if special provisions are made, hot screed/mastic asphalt. The screed-embedded trunking system is suitable for use in office, administration or exhibition areas, but also in residential buildings. Anywhere, in fact, where sturdy construction is valued.

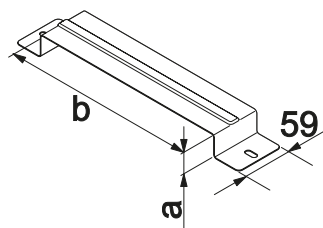
### How it works

Our probably most widely used underfloor trunking system is very simple yet surprisingly diverse when it comes to potential applications. Junction boxes are connected to each other via underfloor trunkings to form networks. They ensure a structured supply and offer access to energy, data and telecommunication lines through the floor.

Users can customise their installation to suit individual requirements thanks to the large range of different trunking cross-sections that is available. Afterwards the screed is installed up to the upper edge of the junction boxes. Depending on the properties of the floor surface (usually a bare concrete floor), junction boxes with pre-stamped trunking inlets made completely of sheet metal or junction boxes with foil casing and factory-fitted footfall sound insulation can be used.

With both junction box variants, stepless height adjustment can be performed via the height adjustment screws that are accessible from above. The underfloor trunking is completely concealed once the screed has been poured. Then you can install service units or casettes in the junction boxes, including sockets and data systems.





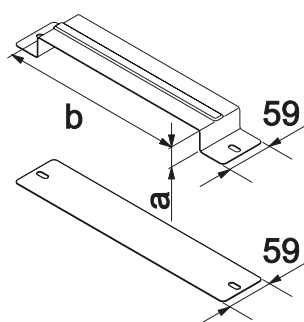
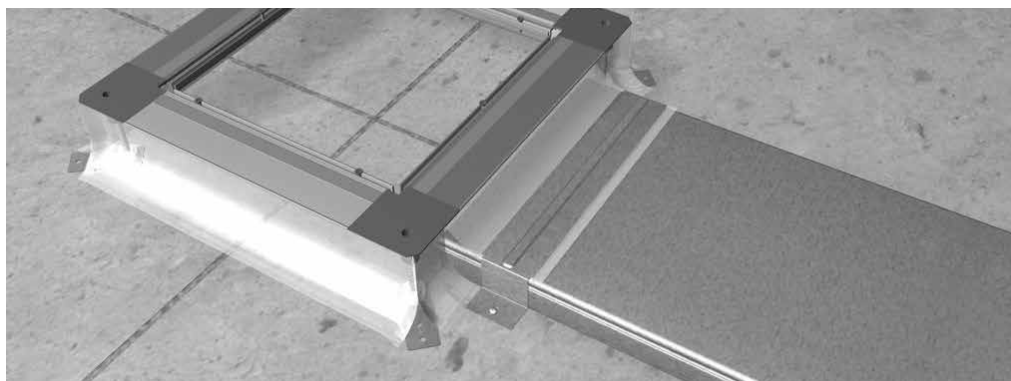
### Bracket UKB

Bracket UKB for fastening the trunking onto the bare floor. One bracket is required for each trunking inlet in junction boxes. Any additional requirements due to local conditions should be calculated and ordered separately.

**Material:** Galvanised sheet metal, Galvanised in accordance with  
**DIN EN 10327**  
**Material thickness:** 0.90 mm

Order number	Dimensions b x a [mm]
UKB190280	190 x 28
UKB190380	190 x 38
UKB190480	190 x 48
UKB240280	240 x 28
UKB240380	240 x 38
UKB240480	240 x 48
UKB340280	340 x 28
UKB340380	340 x 38
UKB340480	340 x 48

### Installation example



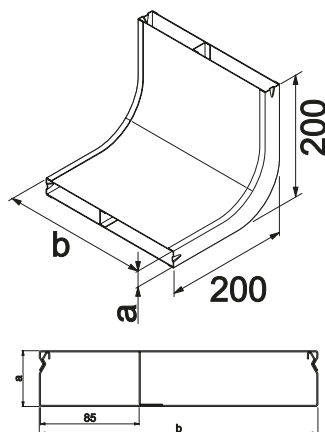
### Clamp UKS

Clamp UKS for connection of trunking sections at the butt joints and for fastening the trunking. Equipotential bonding is achieved by clamping in the ends of the trunking or the ends of the vertical elbow between the cover and lower part. We recommend an allowance of 0.5 clamps per metre of trunking. Any additional requirements due to local conditions should be calculated and ordered separately.

**Material:** Galvanised sheet metal, Galvanised in accordance with  
**DIN EN 10327**  
**Material thickness:** 0.90 mm

Order number	Dimensions b x a [mm]
UKS190280	190 x 28
UKS190380	190 x 38
UKS190480	190 x 48
UKS240280	240 x 28
UKS240380	240 x 38
UKS240480	240 x 48
UKS340280	340 x 28
UKS340380	340 x 38
UKS340480	340 x 48





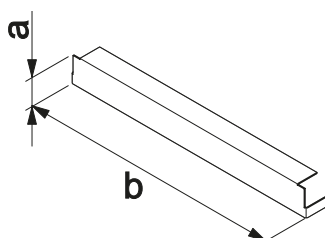
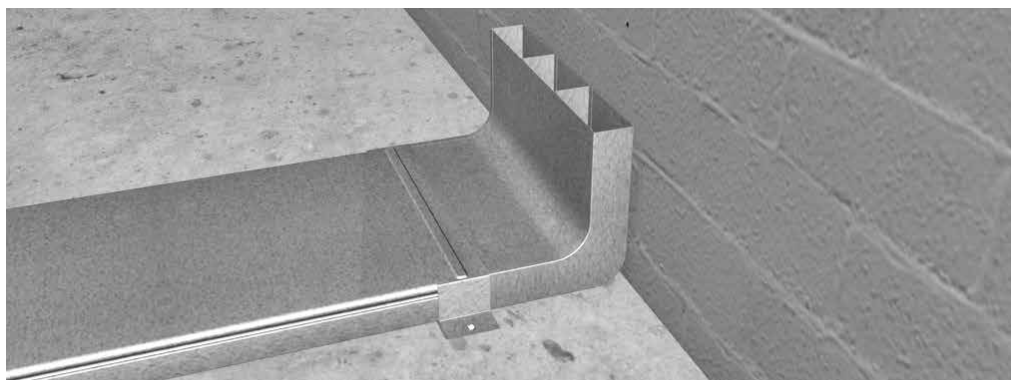
### Vertical elbow UKK

Vertical elbow UKK for routing transitions from horizontal to the vertical plane.  
The connection between the vertical elbow and the trunking is made with a clamp.

**Material:** Galvanised sheet metal, Galvanised in accordance with  
**DIN EN 10327**  
**Material thickness:** 0.75 mm

Order number	Variant	Dimensions b x a [mm]	Dimensions of compartments
UKK190282	2 compartments	190 x 28	75 / 115
UKK190382	2 compartments	190 x 38	75 / 115
UKK190482	2 compartments	190 x 48	75 / 115
UKK190283	3 compartments	190 x 28	60 / 70 / 60
UKK190383	3 compartments	190 x 38	60 / 70 / 60
UKK190483	3 compartments	190 x 48	60 / 70 / 60
UKK240282	2 compartments	240 x 28	100 / 140
UKK240382	2 compartments	240 x 38	100 / 140
UKK240482	2 compartments	240 x 48	100 / 140
UKK240283	3 compartments	240 x 28	85 / 70 / 85
UKK240383	3 compartments	240 x 38	85 / 70 / 85
UKK240483	3 compartments	240 x 48	85 / 70 / 85
UKK340282	2 compartments	340 x 28	140 / 200
UKK340382	2 compartments	340 x 38	140 / 200
UKK340482	2 compartments	340 x 48	140 / 200
UKK340283	3 compartments	340 x 28	115 / 110 / 115
UKK340383	3 compartments	340 x 38	115 / 110 / 115
UKK340483	3 compartments	340 x 48	115 / 110 / 115

### Installation example



### End bracket UAE

End bracket for screed-embedded closed underfloor trunking.

**Material:** Galvanised sheet metal, Galvanised in accordance with  
**DIN EN 10327**  
**Material thickness:** 0.90 mm

Order number	Dimensions b x a [mm]
UKE190280	190 x 28
UKE190380	190 x 38
UKE190480	190 x 48
UKE240280	240 x 28
UKE240380	240 x 38
UKE240480	240 x 48
UKE340280	340 x 28
UKE340380	340 x 38
UKE340480	340 x 48

**General instructions:****DIN standard**

Please observe for screed overlap of trunkings according DIN 18560 "Screeds of building industry".

**Earthing**

System components must be included in the earthing measures according to DIN VDE 0100.

**Support**

Components must be supported to prevent deformation, if required.

**Sealing**

Trunking and universal junction boxes must be protected against screed ingress during installation.

**Curing**

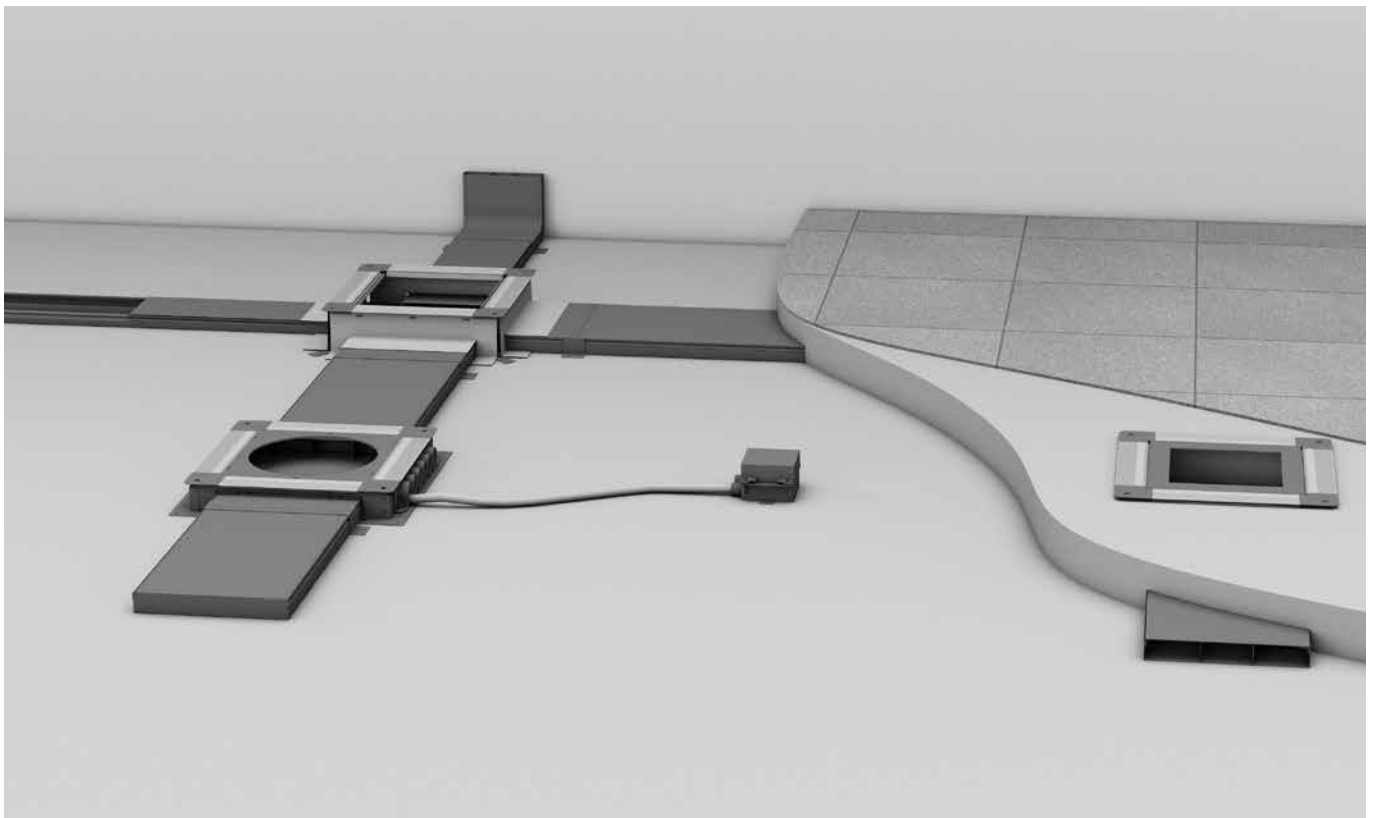
Do not walk or impose any mechanical load on the trunking system before the screed has hardened.

**Protective covers**

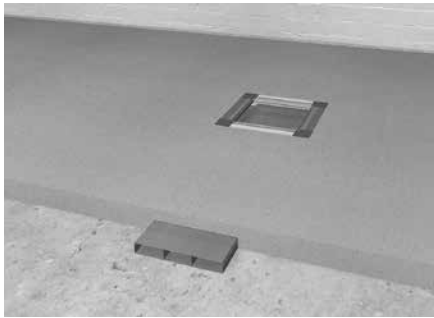
The protection lids may only be removed from the universal junction box and be replaced by the fitting frames immediately before installation of the flooring.

**Conterminal trades**

Observe the general information and the information concerning conterminal trades (screed layer, floor fitter).

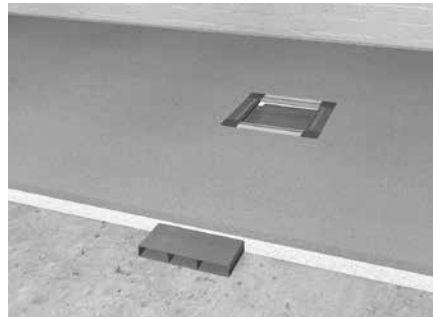


**Installation in monolithic screed**



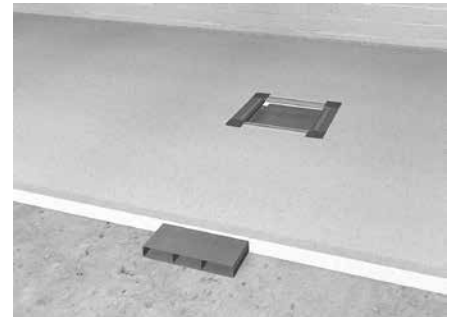
Disperse the cement screed directly onto the concrete slab and onto the underfloor trunkings.

**Installation in floating floor screed**



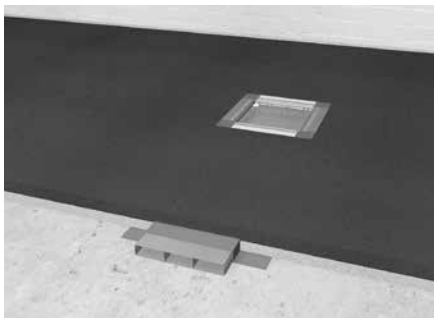
Cement screed is applied onto an insulating layer. The underfloor trunking is integrated in this insulation layer.

**Installation in floating screed**



The installation of trunking and universal junction boxes is similar to the installation in cement screed. In addition, the system must be protected against the ingress of floating screed during installation.

**Installation in hot screed (UDS3 only)**



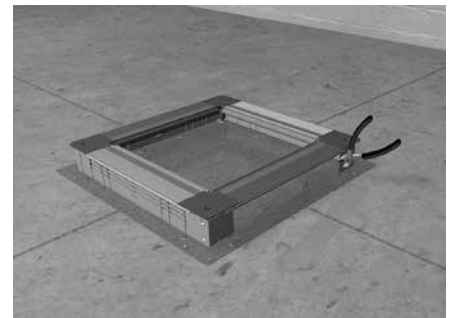
When casting hot screed or mastic asphalt temperatures of approx. 280 °C may occur. This requires trunking and universal junction boxes to be covered and insulated with bituminous corrugated board. Due to the high temperatures, lines must not be installed before the hot screed has completely cooled down.

**Position the universal junction boxes according to the lay-out.**



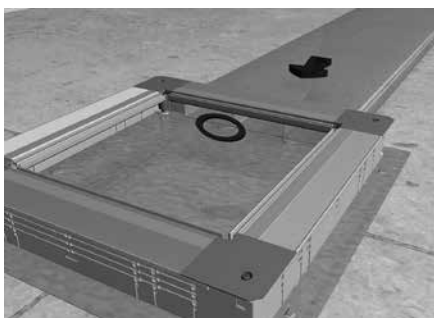
Position the universal junction boxes on the slab and secure them according to the lay-out.

**Notch universal junction boxes UDS3**



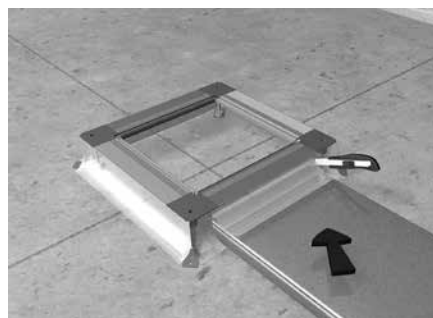
Create a notch in the corresponding sidewall of the universal junction box to connect the trunking. Use a wire cutter to cut out the panel along the perforation as required.

**Connect the trunking to universal junction boxes UDS3**



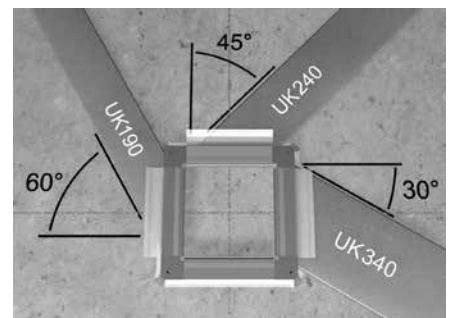
Insert the trunking through the notched side part and move it up to the stop at the bottom plate. The system must be protected by the customer against the ingress of liquid screed during installation.

**Connect the trunking to universal junction box UDH**



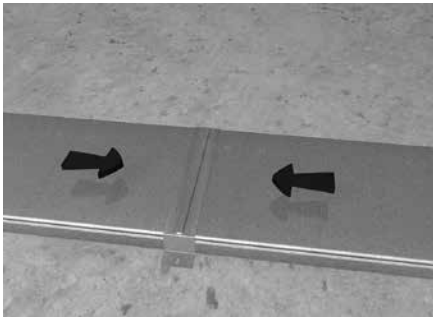
Insert the trunking under the flexible screed casing. Cut the flexible screed casing so that the trunking is enclosed with the foil. The system must be protected by the customer against the ingress of liquid screed during installation.

**Bevel joints are possible**



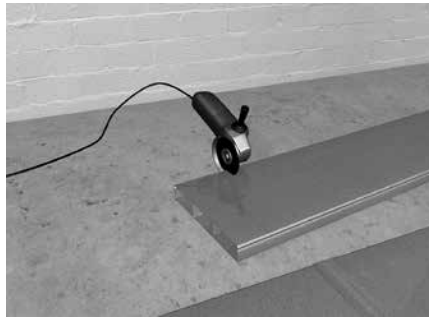
Universal junction boxes UDB3 and UDH3 allow trunking to be introduced at an angle as specified. This layout makes the drawing of cables more difficult. Up to 50° for junction box UDH2 and UK190 or up to 40° for UDH2 and UK240.

### Lay the trunking



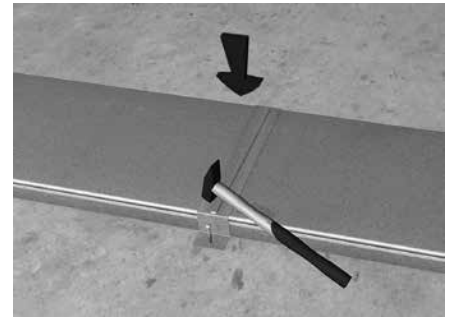
Lay the trunking segments edge to edge. The partition walls must be aligned.

### Cut the trunking as required



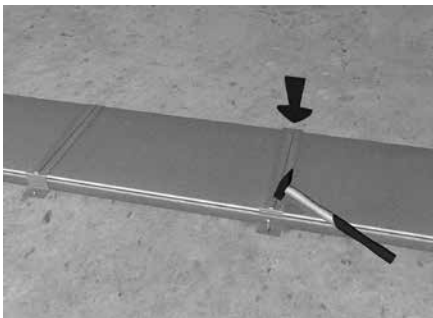
Cut trunking segments to length, if required. Sharp edges must then be deburred.

### Attach the clamps



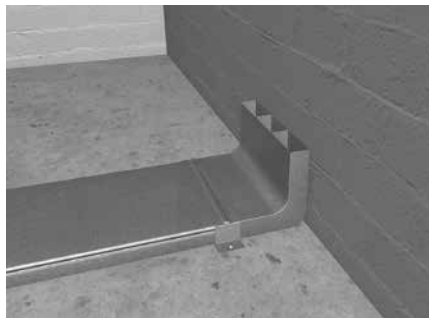
Connect the two trunking segments at their edges using a clamp and dowel it to the slab through the two holes (7 x 15 mm). The installation of the clamp is also required to ensure equipotential bonding between the trunking segments in accordance with DIN VDE 0100.

### Additional brackets



If required, trunking segments can be secured between the joints using additional brackets.

### Connect the vertical elbow



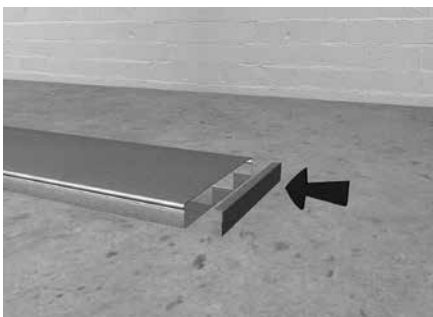
Connect the vertical elbows as wall connection to the trunking using a clamp.

### Connect the feed channel



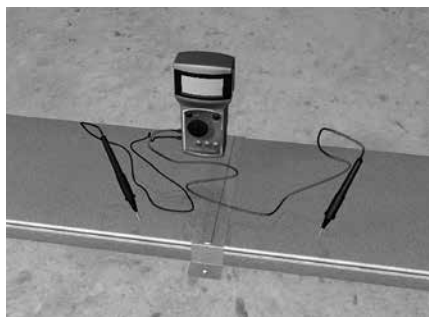
A feed channel can be attached to the vertical elbow for further line routing. This trunking segment connects the underfloor trunking to the wall trunking.

### Attach the end bracket



If the trunking ends in the middle of the room, then the cut edge must be closed by an end bracket. The end cap does not need to be secured by screws.

### Earthing measures



The trunking segments are joined mechanically and electrically by the clamps. All contact areas must be clean and free of grease.

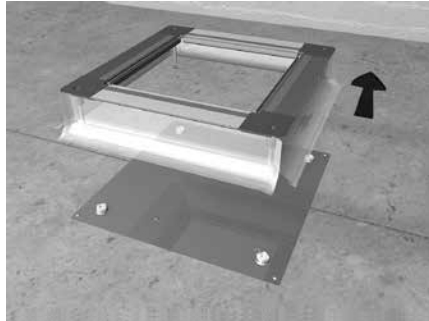
**Alternative installation method:**

**Attach the universal junction box**



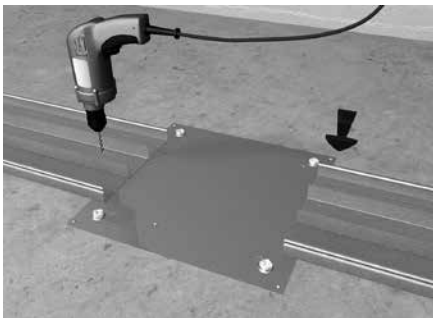
Secure the universal junction box to the slab.

**Remove the upper part of the box**



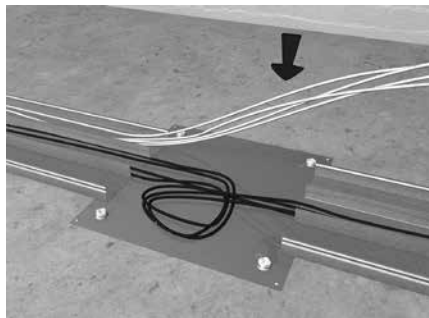
Pull the upper part from the universal junction box out of the soundproofing mounts. Bottom plate and soundproofing mounts remain firmly on the slab.

**Attach the upper part of the trunking**



Thanks to the removable lid, the trunking can be attached to the slab quickly and easily. Drive anchors, fasteners or other means may be used for the purpose.

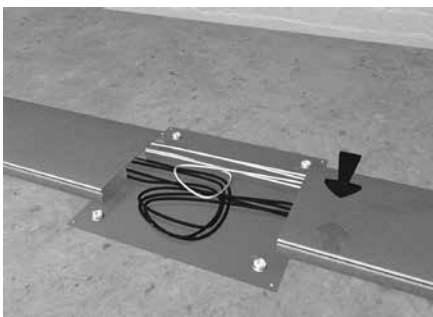
**Insert the cables from above**



Cables can be placed in the open trunking from above. It is not necessary to pull the cables in. This facilitates a convenient, space-saving, orderly and bundled installation of cables.

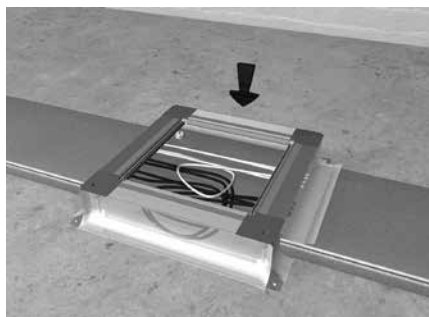
Caution: Due to the high temperatures, this is not feasible in hot screed installations.

**Attach the lid**



The lid of the trunking is put on from above and snaps into place.

**Attach the upper part of the box**



The upper part of universal junction box UDH and UDB is put on from above and over the trunking into the soundproofing mounts.

**General instructions:**

**DIN standard**

Please observe for screed overlap of trunkings according DIN 18560 "Screeds of building industry".

**Earthing**

System components must be included in the earthing measures according to DIN VDE 0100.

**Sealing**

Trunking and universal junction box must be protected by the customer against screed ingress during installation.

**Hardening**

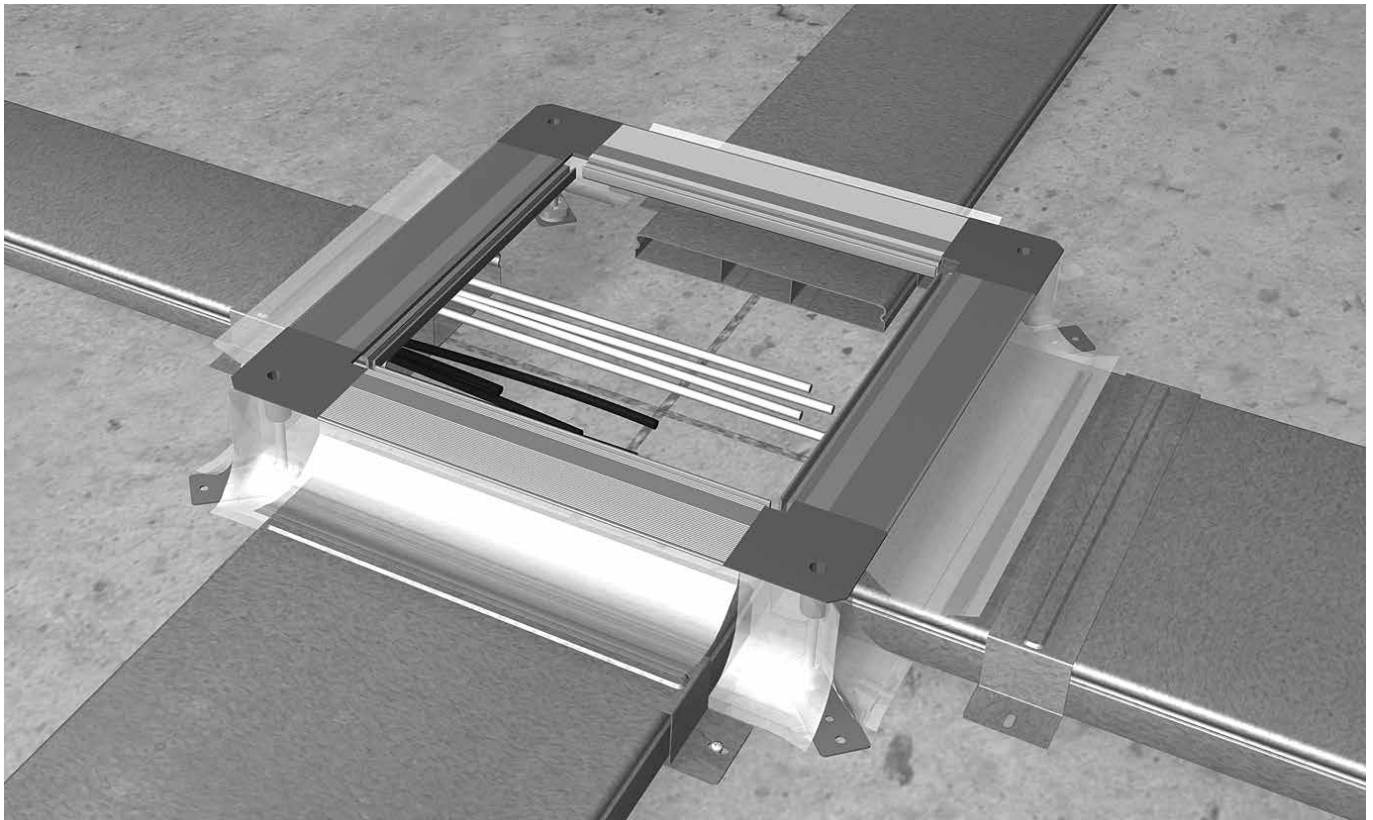
Do not walk on the trunking system or impose any mechanical loads on it before the screed has hardened.

**Protective covers**

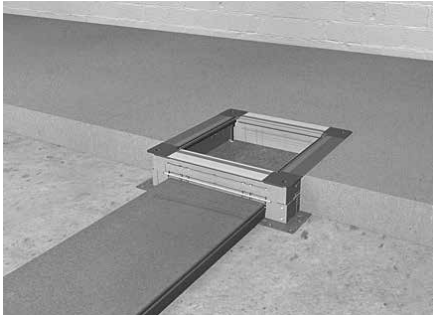
The protection lids may only be removed from the universal junction box and be replaced by the fitting frames immediately before installation of the flooring.

**Conterminal trades**

Observe the general information and the information concerning conterminal trades (screed layer, floor fitter).

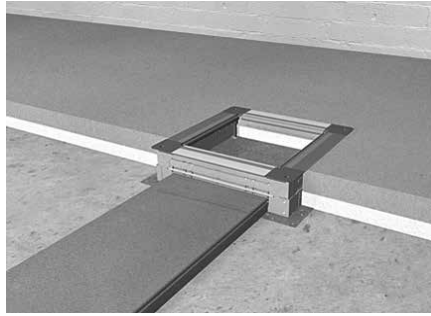


**Installation in monolithic screed**



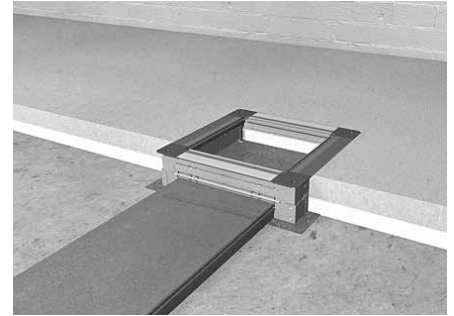
Cement screed is directly applied onto the slab and the galvanised underfloor trunking.

**Installation in floating floor screed**



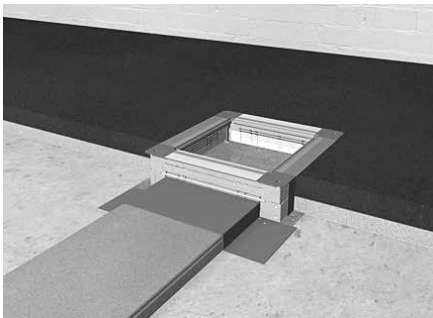
Cement screed is applied onto an insulating layer. The underfloor trunking is integrated in this insulation layer.

**Installation in floating screed**



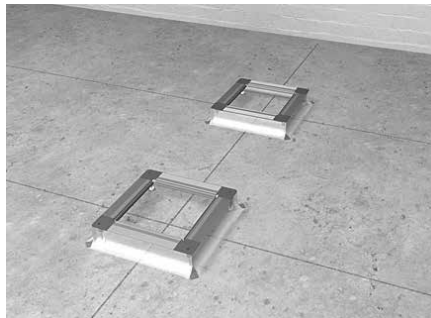
The installation of trunking and universal junction boxes is similar to the installation in cement screed. In addition, the system must be protected against the ingress of floating screed during installation.

**Installation in hot screed (UDS3 only)**



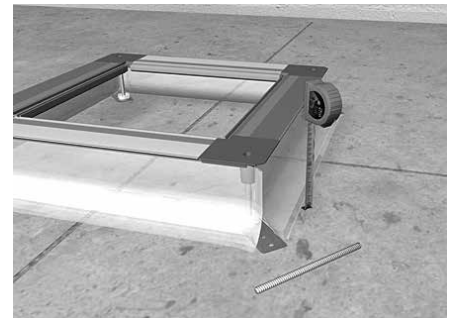
When casting hot screed or mastic asphalt temperatures of approx. 280 °C may occur. This requires trunking and universal junction boxes to be covered and insulated with bituminous corrugated board. Due to the high temperatures, lines must not be installed before the hot screed has completely cooled down.

**Position the universal junction boxes according to the lay-out.**



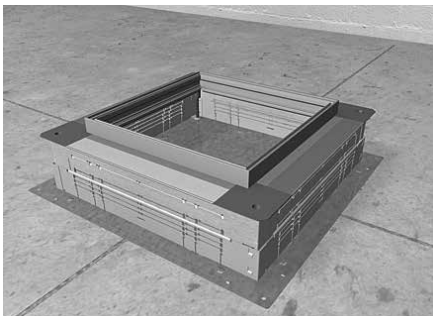
Locate the universal junction boxes on the slab and secure them according to the lay-out. The flexible screed casing must be on the outside.

**Check the levelling area**



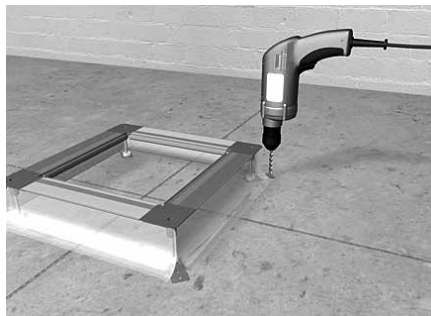
Check the levelling area on the slab. The studs of universal junction box UDB or UDH can be replaced, if required. Turn them counterclockwise to separate them from the soundproofing mounts. Do not pull the studs out or drive them in.

**Screed height above 120 mm with UDS3**



For screed heights of more than 120 mm the height of universal junction box UDS3 can be increased by 35 mm using levelling frame UDAR335. Place levelling frame onto the frame of the underfloor box and secure it with four screws.

**Attach universal junction box UDH**



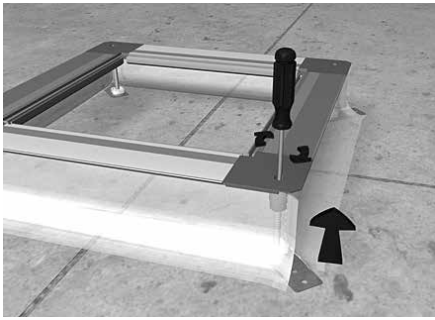
If universal junction box UDH is used, dowel all four brackets to the slab. Each bracket is pre-drilled with 1 x 6 mm and 1 x 7 mm holes.

**Attach junction box UDB or UDS3**



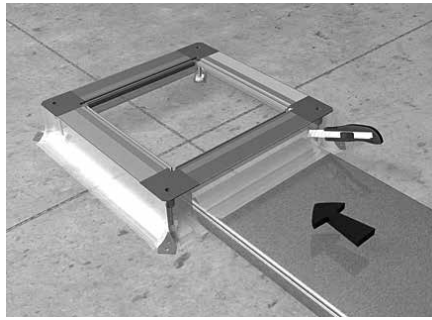
For universal junction box UDB or UDS3, the bottom plate must be secured to the slab at all four corners. Holes of 6.5 mm are provided in each corner.

Level the universal junction box



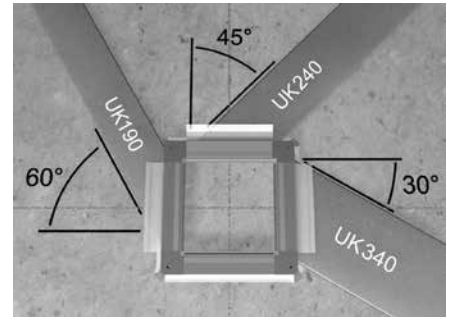
Level the box frame to the required height using a screwdriver to turn the studs at all four corners. The elastic mounting of the frame prevents cracks in the screed during curing.

Feed in the trunking



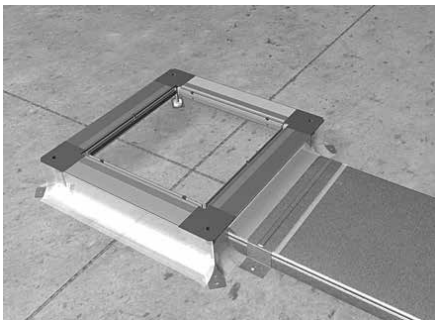
Cut in the film formwork to fit height and width of the trunking. Lift the film tab and push the trunking up to the stop on the bottom plate or approx. 40 mm under the universal junction box.

Angled trunking in-feed is possible



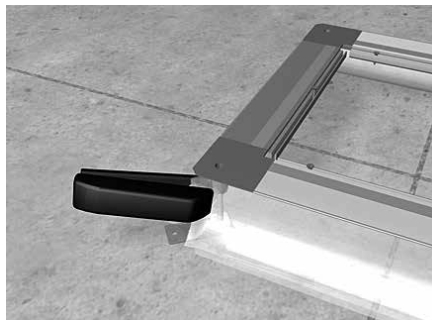
Universal junction boxes UDB3 and UDH3 allow trunking to be introduced at an angle as specified. This layout makes the installation of lines more difficult.

Attach the trunking



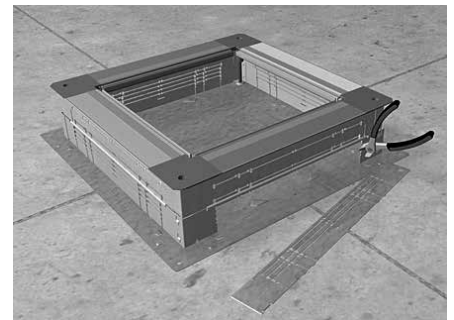
Pinch the film tab between trunking and bracket. Attach the bracket using plugs and screws.

Connect the film



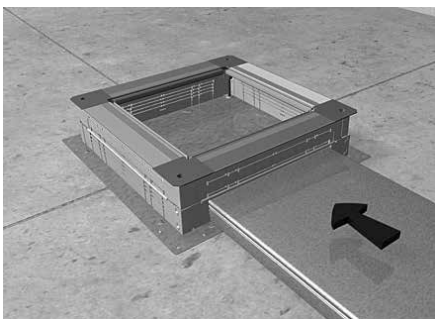
Join the screed formwork film at all four corners using a stapling pliers.

Cut out universal junction box UDS3



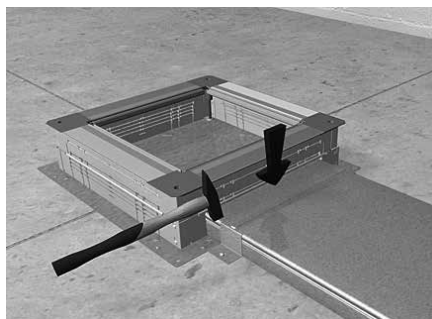
Before installation, a corresponding cut-out must be created in the universal junction box to allow connection of the trunking. Use a wire cutter to cut out the panel along the perforation as required.

Feed in the trunking



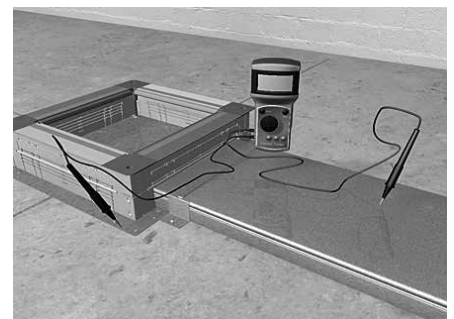
Introduce the trunking into the opening created in the sidewall and push it against the stop at the bottom plate.

Attach the trunking



Connect the trunking to the universal junction box using a bracket.

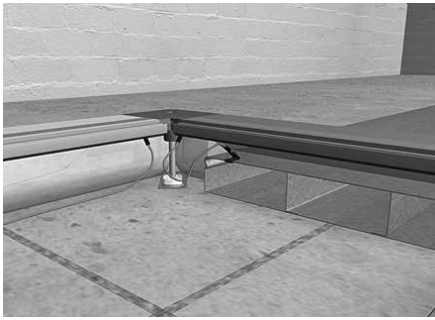
Grounding of UDS3 / UDB



The force of the bracket pressing the trunking onto the bottom plate ensure the electric conductivity of the universal junction box and the trunking. The contact areas must be clean and free of grease. The ground conductor in the universal junction box must be connected to the ground connection on site.

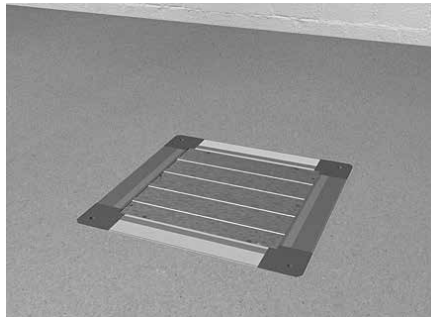


#### Grounding underfloor box UDH



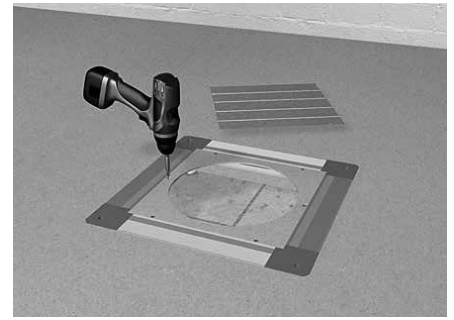
Connect the ground cable provided in the universal junction box the supplying trunking end to ensure electrical conductivity between the two components. The ground cable in the universal junction box must be connected to the ground connection on site.

#### Install the screed



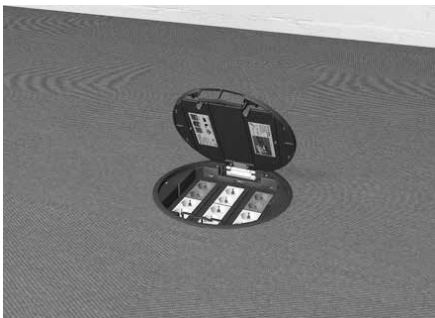
Install screed up to the top edge of the universal junction boxes. The protection lid only serves as protection against ingress of foreign material and must not be rolled over or subject to any other load.

#### Replace the protection lid



Do not remove the protection lid until the flooring is being installed, and replace it by an fitting frame. Secure it to the box frame or levelling frame using screws.

#### Install the service unit



After laying the flooring, cut out the openings of the installed fitting frames and install the service unit or cassette.

**General instructions:**

**Several diameters**

By breaking out the perforated plugs, conduits with standard diameters of 20 mm, 32 mm, 40 mm and 50 mm can be used.

**No additional parts needed**

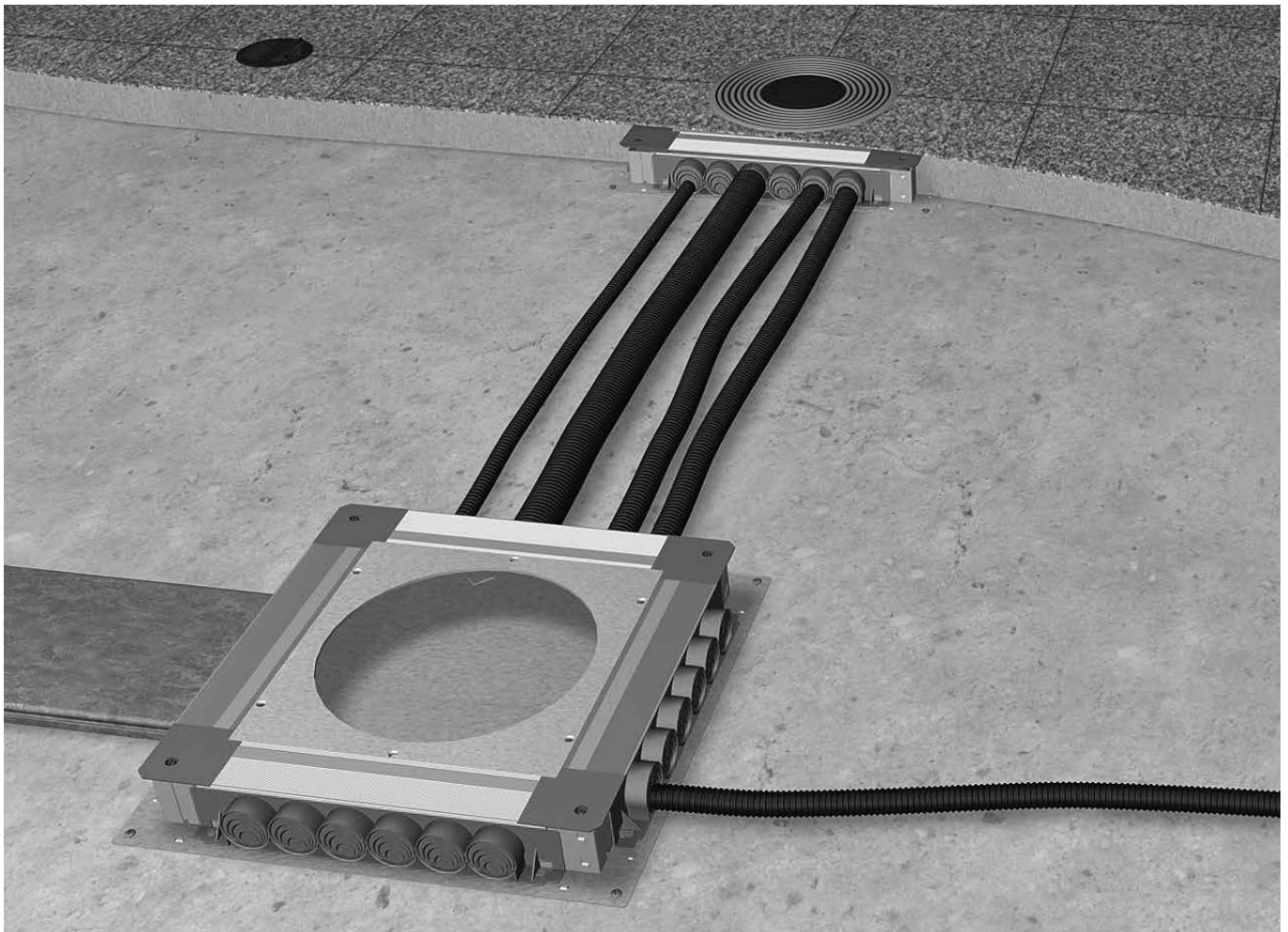
No additional parts such as reduction pieces or adapters are needed.

**Full-length support**

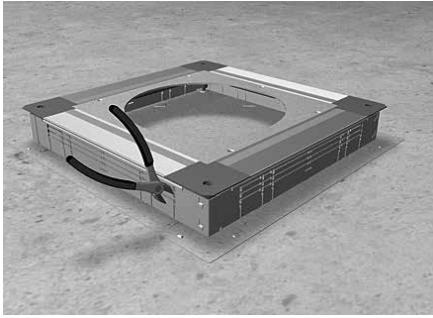
The out-of-centre arrangement of the plugs ensure that the ducts remain flat on the slab along their entire length. This ensure a continuous thickness of the screed right up to the sidewalls of the junction box.

**Snap-in function**

The conduits snap in to facilitate the specific use of underfloor trunking or conduits.

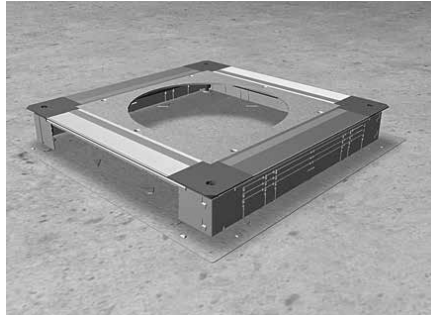


**Cut out the sidewall**



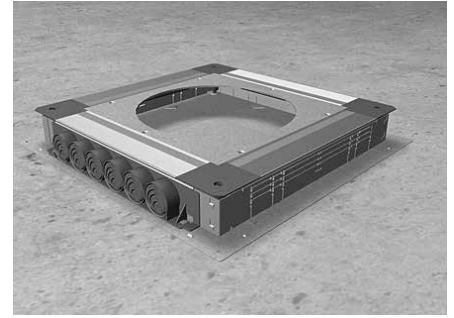
Notch the sidewall along the outermost perforation using a wire cutter.

**Remove the sidewall**



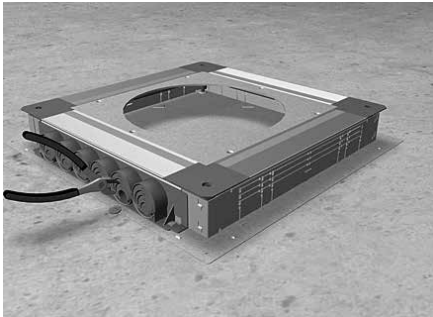
Remove cut-out sheet metal from sidewall.

**Snap in the pipe inlet**



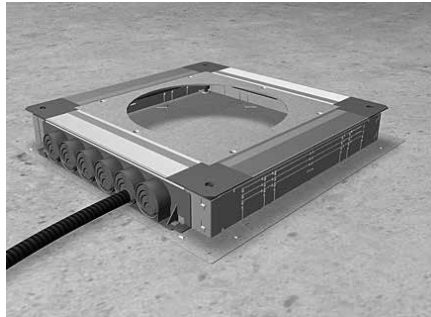
From the front face, snap pipe inlet UDS3 RE 20-50 into the lugs provided. The connection does not require any screws.

**Notch the pipe inlet**



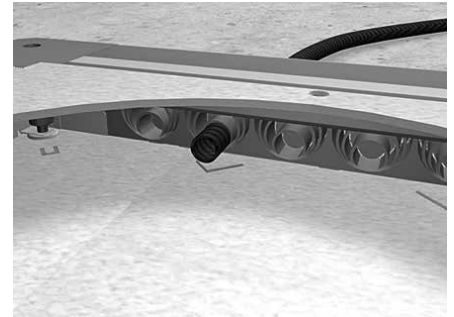
Notch the perforated plugs to the required diameter using a wire cutter or utility cutter.

**Insert cable conduit**



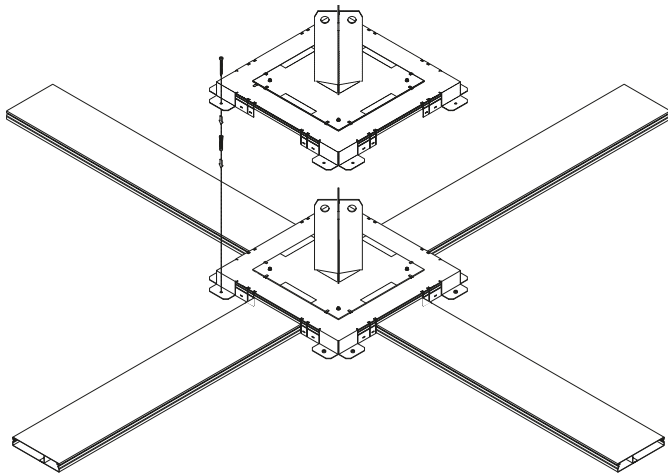
Insert the cable conduit into the opening.

**Position cable conduit**



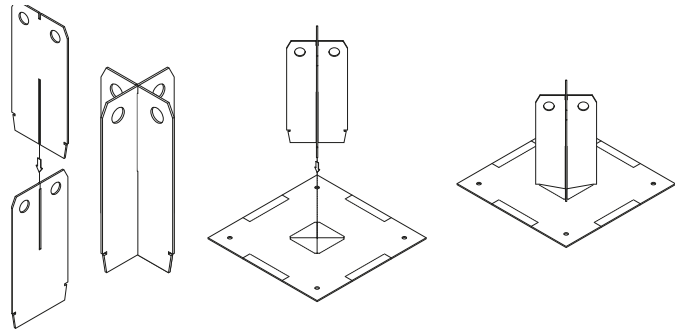
Let the cable conduit protrude approximately 1-2 cm into the inside of the junction box. Then attach the cable conduit outside the junction box to the slab to prevent it from floating.

**1: SEBD500GT - Junction box incl. base support**



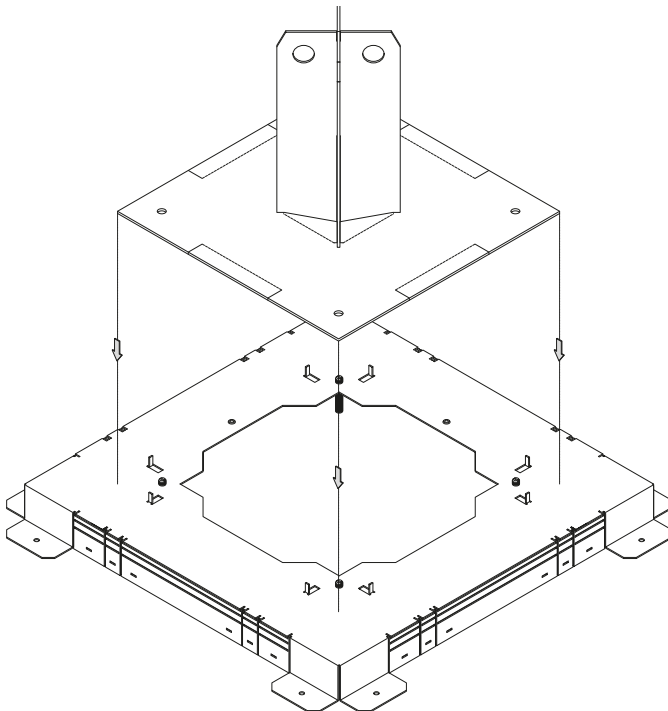
Junction box 500 mm x 500 mm with steel sheet formwork for formwork elements incl. base support, available as a set.

**2: Preparing the base support**



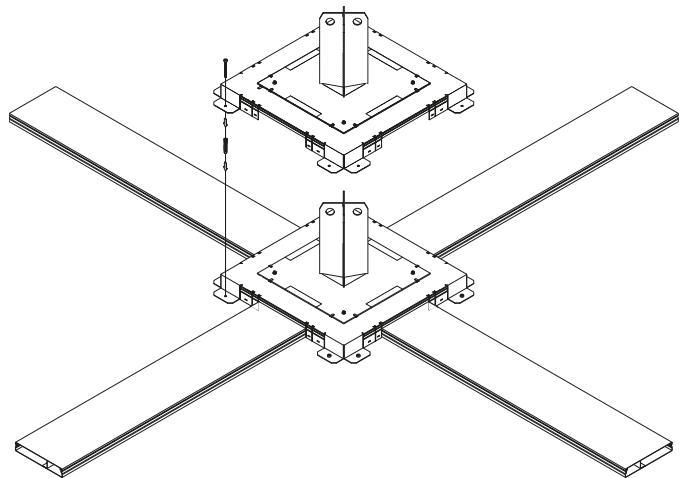
Prepare the base support for installation by simply pushing the parts together.

**3: Attaching the junction box to the base support**



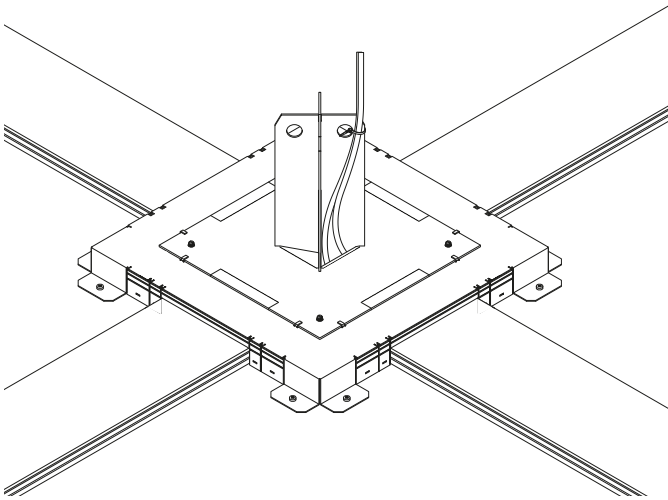
Attachment is performed by simply bending the pre-formed metal tabs.

**4: Positioning the junction box**



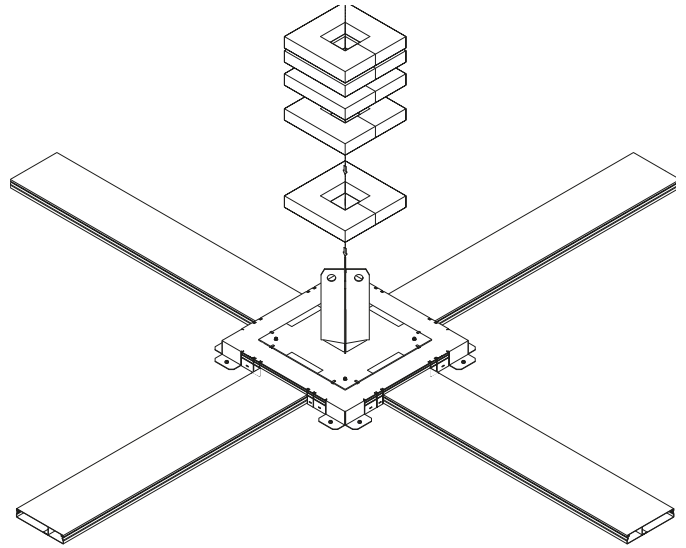
Place the junction box incl. base support on the trunking system and remove the page walls along the matching perforations. Orientate and fasten on the bare concrete floor.

**5: Running and fixing lines**



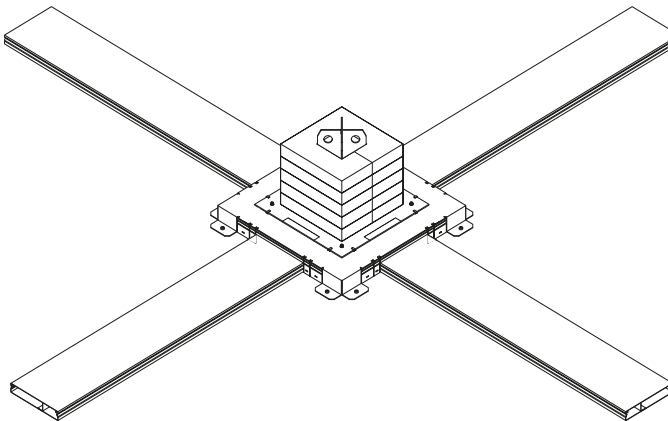
Run the lines through the junction box and fix to the base support using cable ties.

**6: Fitting formwork elements**



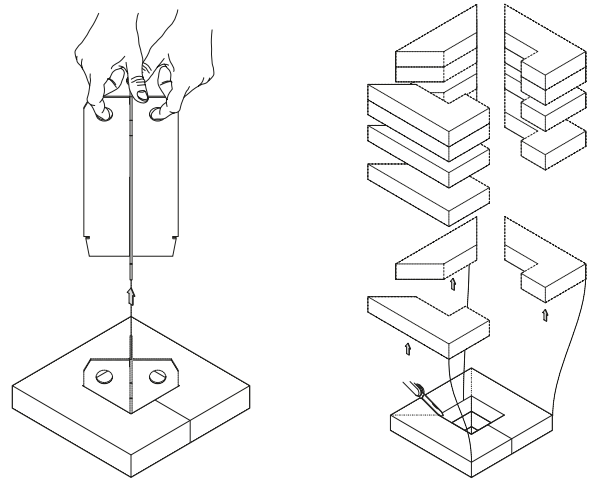
Place the Styropor formwork elements on the base support. The formwork element consists of 5 parts each with a height of 40 mm, thus it is possible to match individual floor construction heights.

**7: Applying screed**



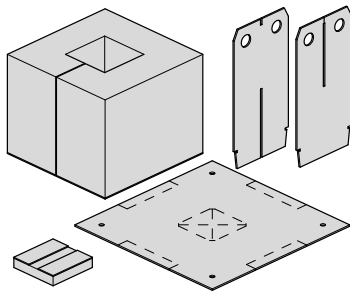
After sealing the system in situ (e.g. using adhesive textile tape) apply the screed.

**8: Removing the base support and formwork element**

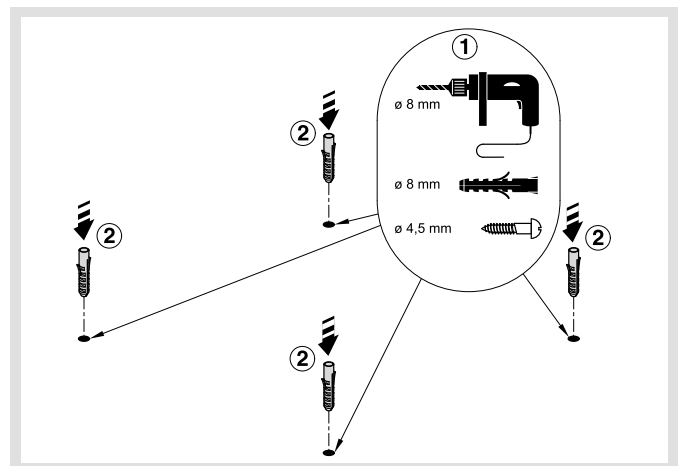
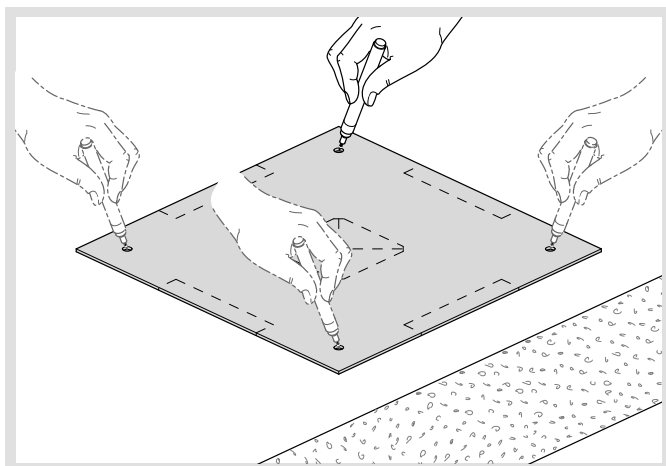
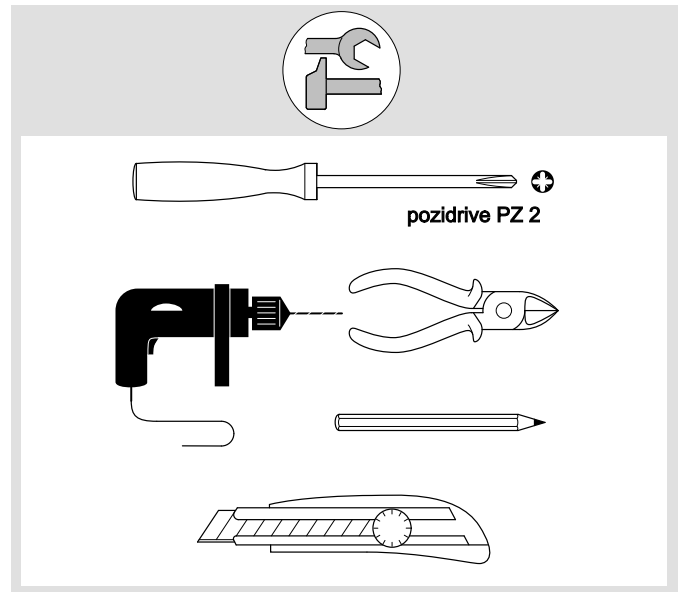
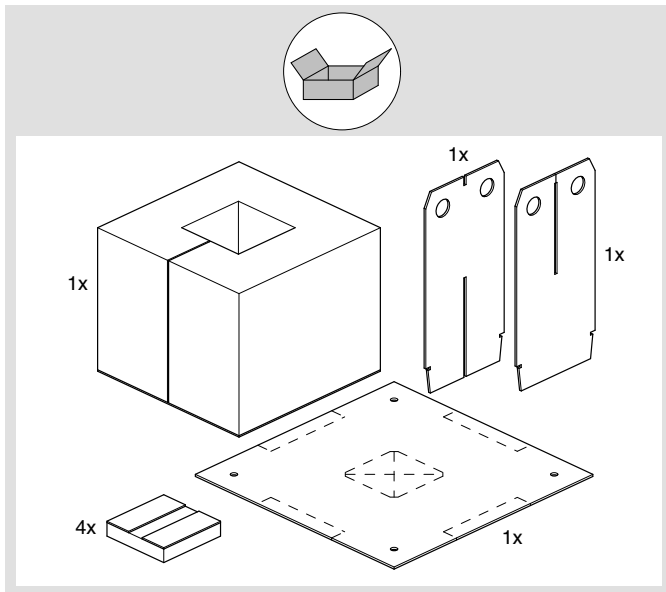
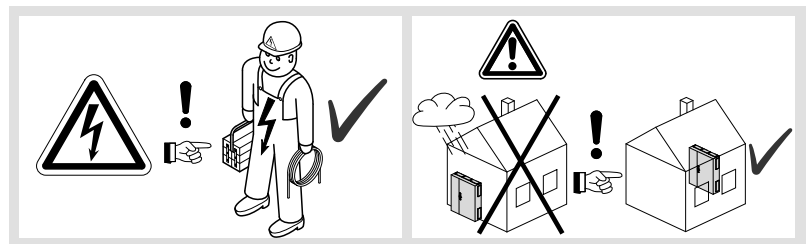


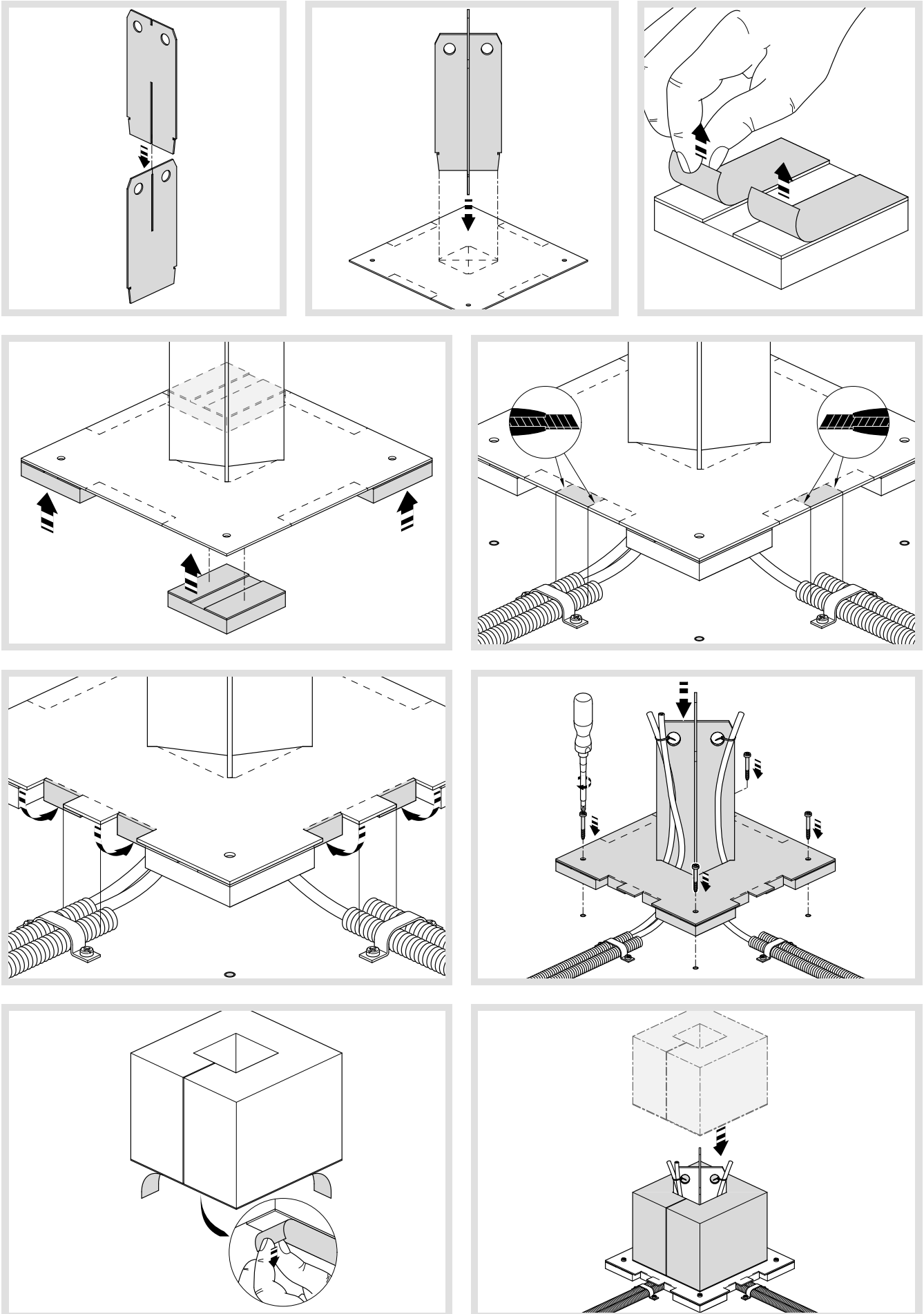
After the screen has dried, remove the base support and formwork element and install the service unit and/or height adjustable stainless steel cassette.

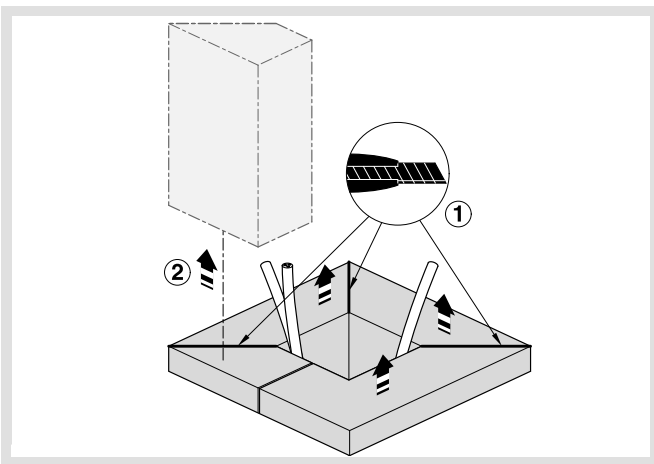
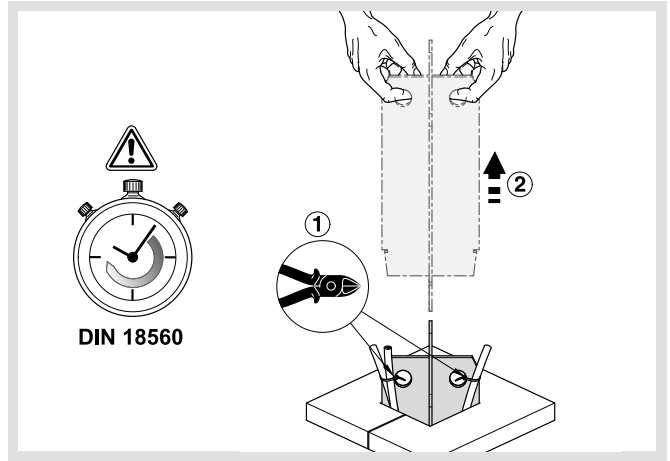
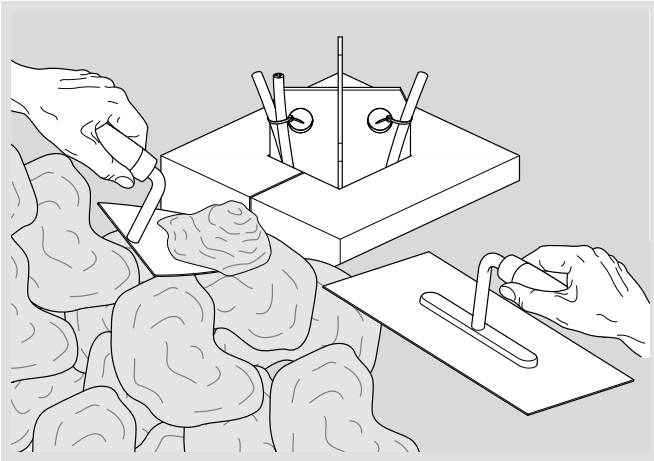
6LE000527A



- |      |                          |      |                         |
|------|--------------------------|------|-------------------------|
| (DE) | Montageanleitung         | (HR) | Upute za montažu        |
| (FR) | Notice d'instructions    | (HU) | Szerelési útmutató      |
| (GB) | Mounting instructions    | (LT) | Montavimo instrukcija   |
| (NL) | Montage instructie       | (LV) | Montāžas instrukcija    |
| (DK) | Monteringsvejledning     | (PL) | Instrukcja montażowa    |
| (FI) | Asennusohje              | (RO) | Instructiuni de montare |
| (NO) | Montasjeanvisning        | (SK) | Návod na montáž         |
| (SE) | Monterings instruktioner | (RU) | Указания по установке   |
| (IT) | Istruzioni di montaggio  | (BG) | Инструкции за монтаж    |
| (ES) | Instrucciones de montaje | (GR) | Οδηγίες χώνευσης        |
| (PT) | Instruções de montagem   | (SI) | Navodilo za montažo     |
| (CZ) | Montážní návod           | (EE) | Paigaldusjuhised        |
| (BA) | Uputstvo za montažu      | (IS) | Leiðbeiningar           |
| (UK) | Інструкції з установки   | (AR) | دليل التركيب            |











# Screed-flush trunking systems

## tehalit.BKB | electraplan.BK

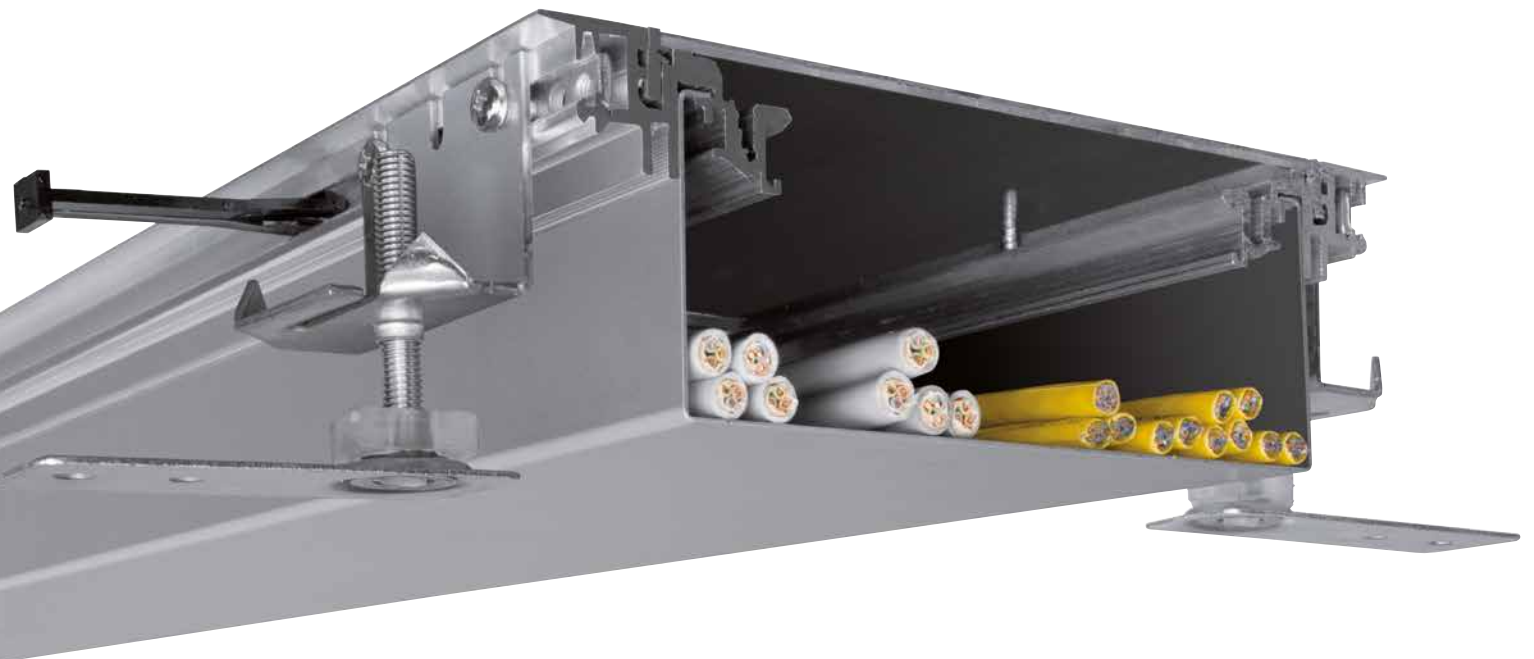
tehalit.BKB  
electraplan.BK

**tehalit.BKB: Perfectly integrated**

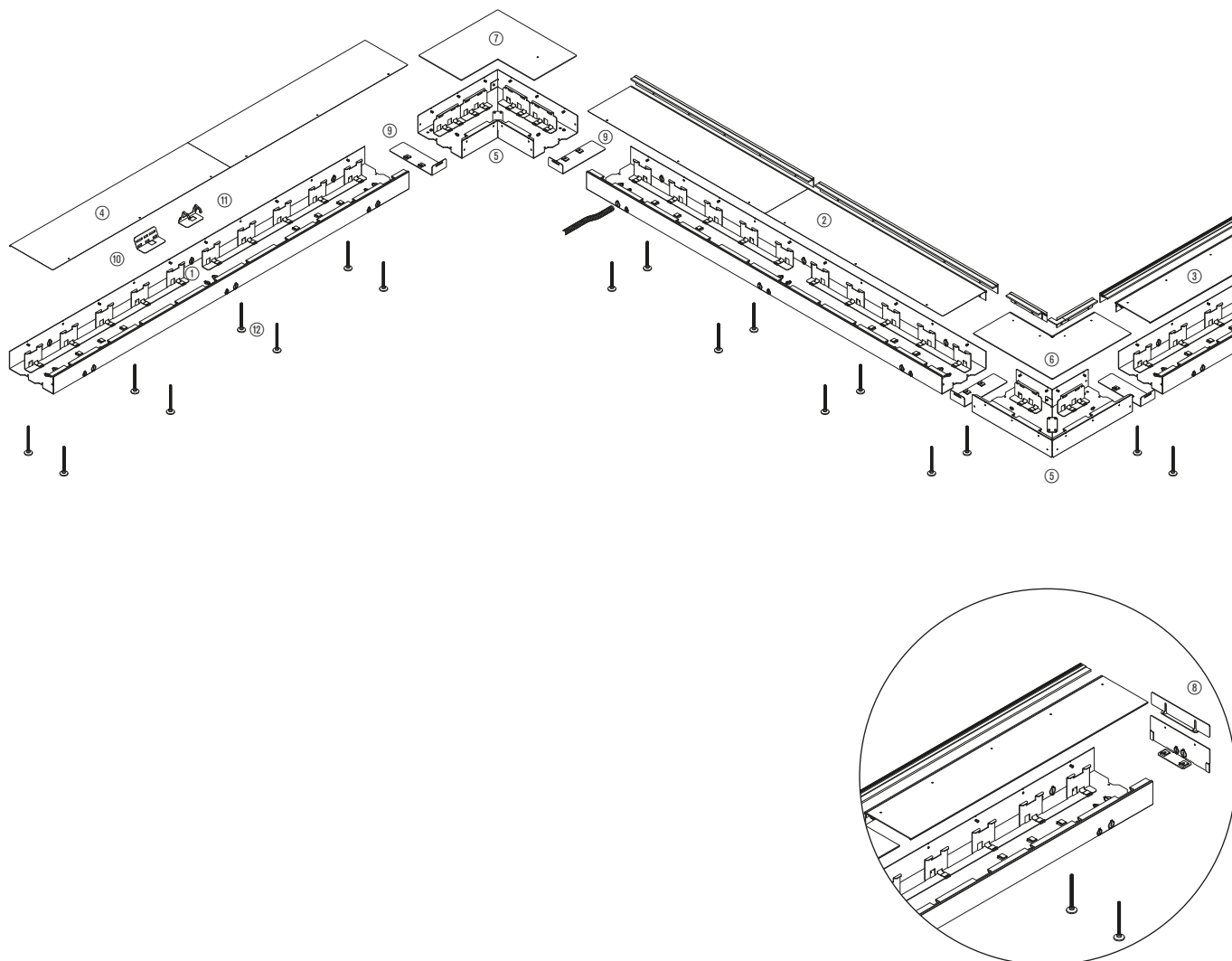
With the screed-flush trunking system tehalit.BKB, energy, data and communication connections can be flexibly provided anywhere they are needed – even in rooms with glass walls or large window surface. The system could not be simpler: Thanks to the range of specially shaped elements in the tehalit.BKB system, concealed lines can be routed to any corner of the room.

**electraplan.BK: Flat & wide**

Thanks to the very compact height of the electraplan.BK system, it is also suitable for very shallow screed depths from 30 mm without and from 45 mm with footfall sound insulation. With a large trunking width of up to 600 mm, the system offers plenty of space to house large volumes of cables and lines. Particularly practical: Even after installation, the trunking covers can be opened at any time, and thanks to the flexible foil casing it is no problem at all to cross over e.g. heating pipes. Particularly practical: Even after installation, the trunking covers can be opened at any time, and thanks to the flexible foil casing it is no problem at all to cross over e.g. heating pipes. Alternatively we also have trunking with separate bottoms that ensure a clean and tidy installation, protecting lines against dust and dirt.



tehalit.BKB		Partition walls and accessories	77
System overview	50	Accessories	79
Balustrade floor trunking	51	Technical Information (BKB)	83
electraplan.BK		Order number system	88
System overview with flexible formwork staples	56	Technical information (BK)	90
System overview with trunking bottom	57		
Trunking overview	58		
Screed-flush trunking system with flexible screed casing for dry-cleaned floors	62		
Screed-flush trunking system with trunking bottom for dry-cleaned floors	64		
Covers for screed-flush trunking systems for dry-cleaned floors	66		
Cross members for screed-flush trunking systems for dry-cleaned floors	68		
Screed-flush trunking system with flexible screed casing and sealing option	70		
Screed-flush trunking system with trunking bottom and sealing option	72		
Covers for screed-flush trunking systems with sealing option	74		
Cross members for screed-flush trunking systems with sealing option	75		
Junction boxes and accessories	76		



### tehalit.BKB

- ① Trunking lower part
- ② Upper part with brush
- ③ Upper part with brush for LED
- ④ Upper part closed
- ⑤ Low-angled bracket for bottom part
- ⑥ Low-angled bracket, outer, for upper part with brush
- ⑦ Low-angled bracket for upper part closed
- ⑧ End plate
- ⑨ Coupling set
- ⑩ Device carrier for trunking sockets
- ⑪ Device carrier for data systems technology
- ⑫ Set screws

- Screed-flush trunking for dry-cleaned floors in accordance with DIN EN 50085
- Installation of devices with device carriers
- Ease of access thanks to removable upper part and cable outlet on the wall side (outlet brush)
- Minimum screed height 96 mm
- Upper part can be covered with all types of floor coverings (parquet flooring, carpets, tiles or laminate) (5 - 25 mm)
- Levelling of the trunking via internally accessible set screws
- Withstands point loads of up to 150 kg
- Minimum recommendation: 4 set screws and 4 fastening screws per running metre (not included in the delivery package)
- Straightforward retrofitting for energy and data
- Important: Installation of edge insulation strips between trunking and screed
- Observe the earthing requirements

**Available brush colours**  
Black

**Material**  
Galvanised sheet metal

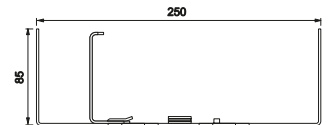
**Standard length**  
2000 mm  
Lower part 2000 mm  
Upper part 2 x 1000 mm

**Form of delivery**  
Trunking comprising upper and lower part



**BKB trunking lower part**

Dimensions (W x H): 250 x 85 mm  
Length: 2000 mm  
Including assembly cover and 6 drilling screws for fastening  
Set screws not included in delivery package



BKB250851

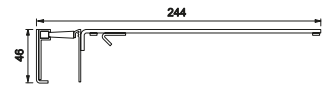
Designation  
Lower part of balustrade floor trunking BKB25085

PU Order no.  
2 **BKB250851**



**BKB upper part with brush**

Supplied length: 2 x 1000 mm  
Available brush colours: Black



BKB250852B

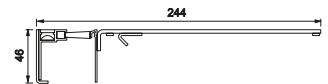
Designation  
Upper part with brush for BKB25085

PU Order no.  
2 **BKB250852B**



**BKB upper part with brush for LED**

Supplied length: 2 x 1000 mm  
Available brush colours: Black  
Transparent range for LED chain installation



BKB250852BLED

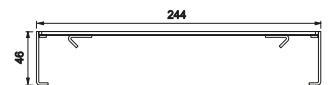
Designation  
Upper part with brush and LED for BKB25085

PU Order no.  
2 **BKB250852BLED**



**BKB upper part closed**

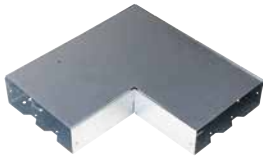
Supplied length: 2 x 1000 mm  
For installation away from the wall



BKB250852G

Designation  
Upper part closed for BKB25085

PU Order no.  
2 **BKB250852G**



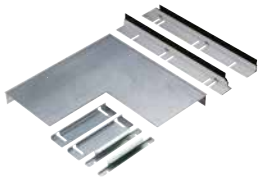
BKB2508551

**BKB low-angled bracket for bottom part**

Lower part for low-angled bracket, inner and outer  
Dimensions (W x H) 250 x 85 mm  
Including assembly cover and 7 drilling screws for fastening  
Set screws not included in delivery package



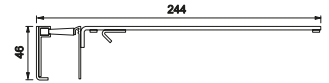
Designation	PU	Order no.
Low-angled bracket for lower part, inner/outer for BKB25085	1	<b>BKB2508551</b>



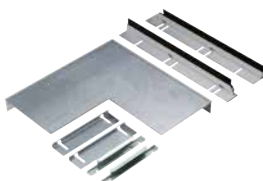
BKB2508554B

**BKB low-angled bracket, inner, for upper part with brush**

Available brush colours:  
Black



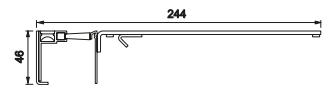
Designation	PU	Order no.
Low-angled bracket, upper part, brush/inner for BKB25085	1	<b>BKB2508554B</b>



BKB2508554BLED

**BKB low-angled bracket, inner, for upper part with brush and LED**

Available brush colours: Black  
Transparent range for LED chain installation



Designation	PU	Order no.
Low-angled bracket, upper part, brush/LED/inner for BKB25085	1	<b>BKB2508554BLED</b>



BKB2508553B

**BKB low-angled bracket, outer, for upper part with brush**

Available brush colours:  
Black



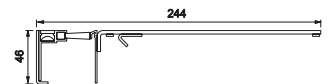
Designation	PU	Order no.
Low-angled bracket, upper part, brush/outer for BKB25085	1	<b>BKB2508553B</b>



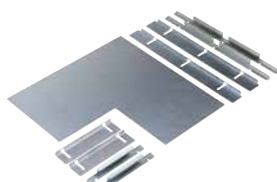
BKB2508553BLED

**BKB low-angled bracket, outer, for upper part with brush and LED**

Available brush colours: Black  
Transparent range for LED chain installation



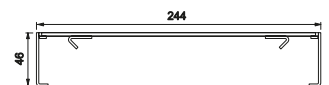
Designation	PU	Order no.
Low-angled bracket, upper part, brush/LED/outer for BKB25085	1	<b>BKB2508553BLED</b>



BKB2508554G

**BKB low-angled bracket, upper part closed**

Upper part for low-angled bracket, inner and outer  
For installation away from the wall



Designation	PU	Order no.
Low-angled bracket, upper part closed, for BKB25085	1	<b>BKB2508554G</b>



BKB250858T

**BKB T-piece adapter, galvanised sheet metal**

Includes 2 countersunk screws and 6 drilling screws

Designation	PU	Order no.
T-piece adapter for BKB25085 galv. sh. metal	1	<b>BKB250858T</b>



BKB250856

**BKB end plate, galvanised sheet metal**

Includes 2 countersunk screws

Designation	PU	Order no.
End plate for BKB250856 galv. sh. metal	1	<b>BKB250856</b>



BKB250857

**BKB coupling set, galvanised sheet metal**

Connector, electrical and mechanical for BKB25085 lower parts  
Includes 4 countersunk screws

Designation	PU	Order no.
Coupling set for BKB250857 galv. sh. metal	1	<b>BKB250857</b>



BKBGTR910

**BKB device carrier for trunking sockets (C-profile), galvanised sheet metal**

Device carrier for fastening of trunking sockets  
(C-profile device installation)

Designation	PU	Order no.
Device carrier for trunking socket for BKB	1	<b>BKBGTR910</b>



BKBGTR911

**BKB device carrier for DNT devices, galvanised sheet metal**

Device carrier for fastening of data network technology devices

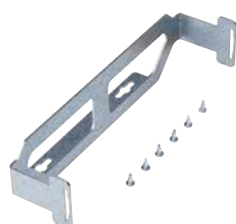
Designation	PU	Order no.
Device carrier data/communication for BKB	1	<b>BKBGTR911</b>



BKBGTR922

**BKB device carrier for 2-way electraplan device casing, galvanised sheet metal**

Designation	PU	Order no.
Device carrier electraplan 2-way for BKB	1	<b>BKBGTR922</b>



BKBGTR923

**BKB device carrier for 3-way electraplan device casing, galvanised sheet metal**

Designation	PU	Order no.
Device carrier electraplan 3-way for BKB	1	<b>BKBGTR923</b>



BKBNS60

**Levelling set 60**

8 set screws:  
- 96 - 145 mm  
The indicated height range corresponds to the height of the screed.

Designation	PU	Order no.
Levelling set 96-145 mm for BKB	1	<b>BKBNS60</b>



BKBNS120

**Levelling set 120**

8 set screws:  
- 145 - 210 mm  
The indicated height range corresponds to the height of the screed.

Designation	PU	Order no.
Levelling set 145-210 mm for BKB	1	<b>BKBNS120</b>



BKBNSD60

**Levelling set 60 with insulation**

8 set screws with insulation for height adjustment:  
- 96 - 145 mm  
The indicated height range corresponds to the height of the screed.

Designation	PU	Order no.
Levelling set 96-145 mm w insulation for BKB	1	<b>BKBNSD60</b>



BKBNSD120

**Levelling set 120 with insulation**

8 set screws with insulation for height adjustment:  
- 145 - 210 mm  
The indicated height range corresponds to the height of the screed.

Designation	PU	Order no.
Levelling set 145-210 mm w insulation for BKB	1	<b>BKBNSD120</b>





L4187CHRO

**Earth conductor clamp**

For base terminals up to a cross section of 10 mm<sup>2</sup>

Designation	PU	Order no.
Earth conductor clamp, chrome-plated	10	<b>L4187CHRO</b>



L4181

**Earthing conductor**

Pluggable, cross-section 4 mm<sup>2</sup>, for electrical connection of the base profile and upper parts as well as for bypassing moulded parts

Designation	PU	Order no.
Earthing conductor, L = 150 mm, push-on contact	100	<b>L4181GNGE</b>
Earthing conductor, L = 300 mm, push-on contact	100	<b>L4182GNGE</b>
Earthing conductor, L = 600 mm, push-on contact	25	<b>L4183GNGE</b>



BS90SET

**2-component silicone fire protection foam S90**

**Cable insulation**

For installation in walls and floors for fire resistance classification S90 in accordance with DIN4102.

Building inspectorate approval: Approval no.: Z19.15-1256

Installation instructions and the certificate of technical approval from the relevant building inspectorate can be downloaded from [www.hager.de/downloads](http://www.hager.de/downloads).

Further data and requirements calculation table can be found in the technical attachments.

Designation	PU	Order no.
Fire protection foam set	1	<b>BS90SET</b>
Fire protection foam can	1	<b>BS90D</b>
Shaped part	1	<b>BS90F</b>
3 adapter spray tubes	1	<b>BS90S</b>
Valve tongs	1	<b>BS90Z</b>

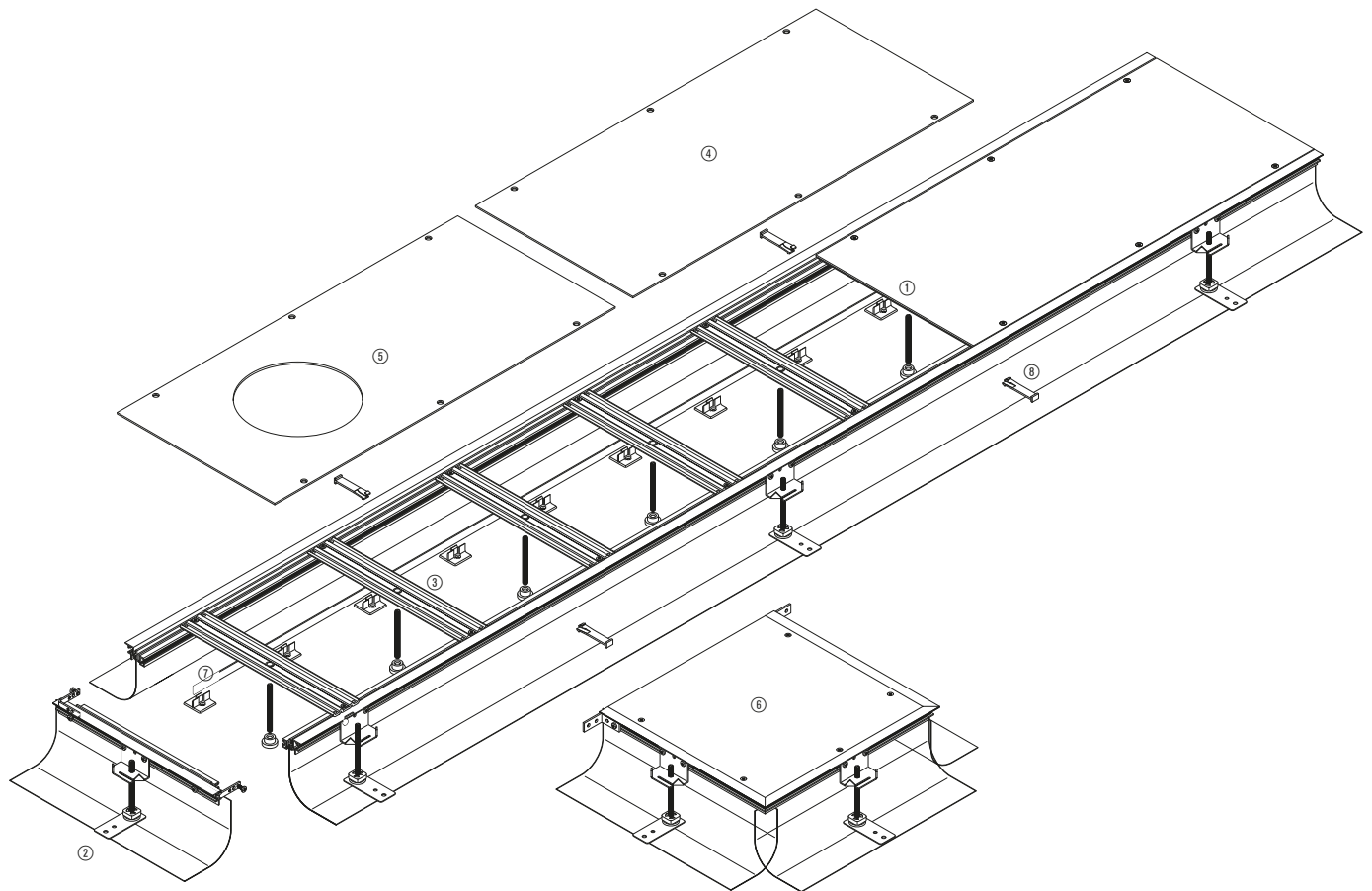


L5804

**Sound barrier**

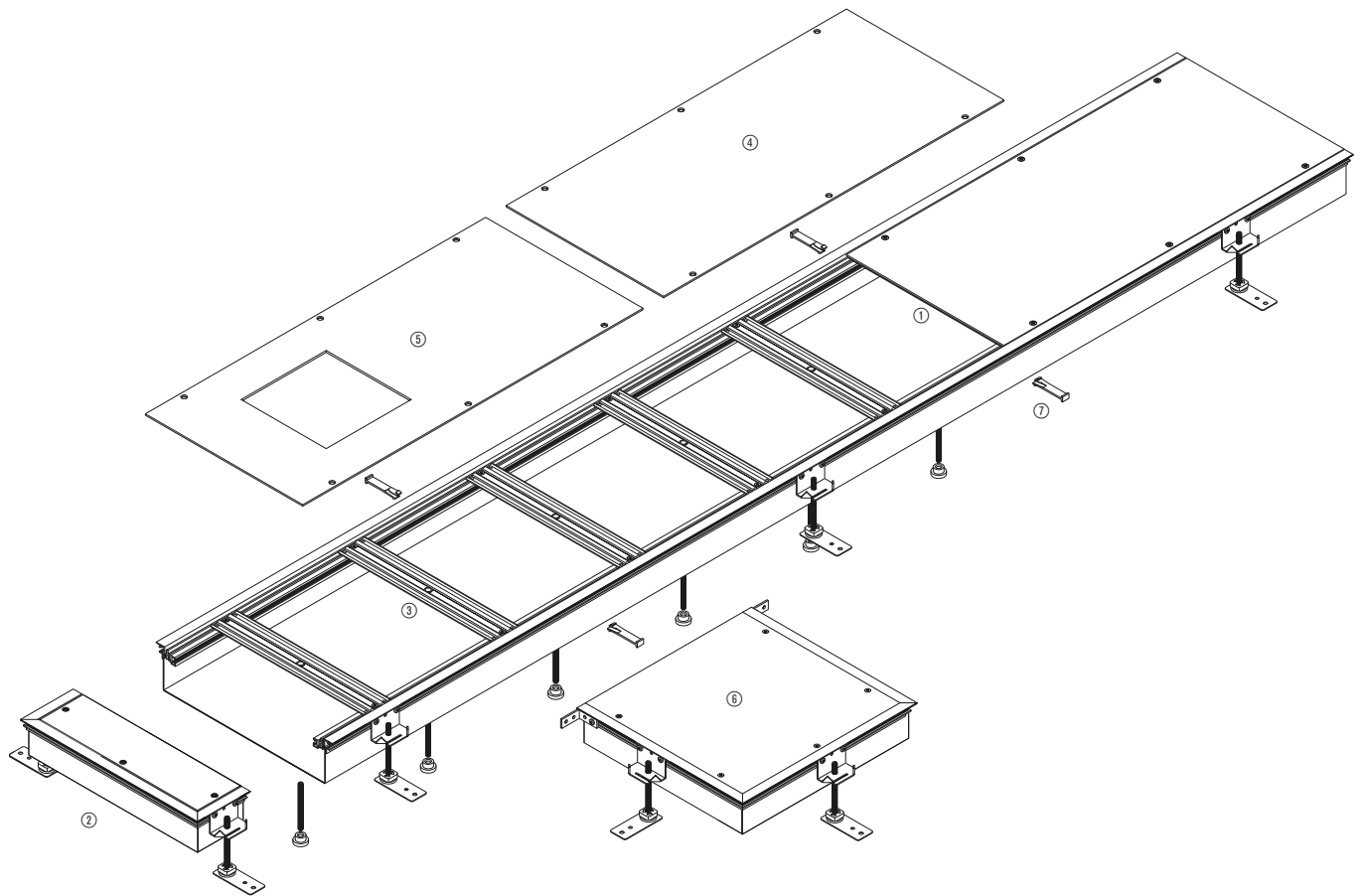
1 set = 15 pigtails, pigtail length: 300 mm, ø 30 mm, damping approx. 40 dB, non-combustible, building materials classification A1, not suitable for use as a firewall.

Designation	PU	Order no.
Sound barrier = 15 pigtails	1	<b>L5804</b>



**electraplan.BK**

- ① Basic profile
- ② Cover
- ③ Cross member
- ④ Blank cover
- ⑤ Cover with blanking
- ⑥ Side junction box
- ⑦ Partition wall
- ⑧ Screed anchor



**electraplan.BK**

- ① Basic profile
- ② End piece
- ③ Cross member
- ④ Blank cover
- ⑤ Cover with blanking
- ⑥ Side junction box
- ⑦ Screed anchor

Trunking with flexible screed casing

Trunkings	Nominal size	Outer width mm	Trunking height max. mm	Levelling range mm	Usable cross-section cm <sup>2</sup>	Max. Line allocation Ø 11 mm, half full	Page
BKF150045	150	166	70	45 - 70	77	31	62
BKF150065	150	166	110	65 - 110	121	50	62
BKF150105	150	166	150	105 - 150	165	68	62
BKF150145	150	166	190	145 - 190	209	86	62
BKF200045	200	216	70	45 - 70	112	46	62
BKF200065	200	216	110	65 - 110	176	72	62
BKF200105	200	216	150	105 - 150	240	99	62
BKF200145	200	216	190	145 - 190	304	125	62
BKF250045	250	266	70	45 - 70	147	60	62
BKF250065	250	266	110	65 - 110	231	95	62
BKF250105	250	266	150	105 - 150	315	130	62
BKF250145	250	266	190	145 - 190	399	164	62
BKF300045	300	316	70	45 - 70	182	75	62
BKF300065	300	316	110	65 - 110	286	118	62
BKF300105	300	316	150	105 - 150	390	161	62
BKF300145	300	316	190	145 - 190	494	204	62
BKF350045	350	366	70	45 - 70	217	89	62
BKF350065	350	366	110	65 - 110	341	140	62
BKF350105	350	366	150	105 - 150	465	192	62
BKF350145	350	366	190	145 - 190	629	243	62
BKF400045	400	416	70	45 - 70	252	104	62
BKF400065	400	416	110	65 - 110	396	163	62
BKF400105	400	416	150	105 - 150	540	223	62
BKF400145	400	416	190	145 - 190	684	282	62
BKF500045	500	516	70	45 - 70	322	133	62
BKF500065	500	516	110	65 - 110	506	209	62
BKF500105	500	516	150	105 - 150	690	285	62
BKF500145	500	516	190	145 - 190	874	361	62
BKF600045	600	616	70	45 - 70	392	161	62
BKF600065	600	616	110	65 - 110	616	254	62
BKF600105	600	616	150	105 - 150	840	347	62
BKF600145	600	616	190	145 - 190	1064	439	62

Trunking with trunking bottom

Trunkings	Nominal size	Outer width mm	Zughöhe mm	Levelling range mm	Usable cross-section cm <sup>2</sup>	Max. Line allocation Ø 11 mm, half full	Page
BKW150040	150	166	28	40 - 60	37.5	15	64
BKW150050	150	166	38	50 - 70	50.9	21	64
BKW150060	150	166	48	60 - 100	64.3	26	64
BKW150070	150	166	58	70 - 110	77.7	32	64
BKW200060	200	216	48	60 - 100	88.3	36	64
BKW200070	200	216	58	70 - 110	106.7	44	64
BKW200080	200	216	68	80 - 120	125.1	51	64
BKW200090	200	216	78	90 - 130	143.5	59	64
BKW250060	250	266	48	60 - 100	112.3	46	64
BKW250070	250	266	58	70 - 110	135.7	56	64
BKW250080	250	266	68	80 - 120	159.1	65	64
BKW250090	250	266	78	90 - 130	182.5	75	64
BKW300060	300	316	48	60 - 100	136.3	56	64
BKW300070	300	316	58	70 - 110	164.7	68	64
BKW300080	300	316	68	80 - 120	193.1	79	64
BKW300090	300	316	78	90 - 130	221.5	91	64
BKW350060	350	366	48	60 - 100	160.3	66	64
BKW350070	350	366	58	70 - 110	193.7	80	64
BKW350080	350	366	68	80 - 120	227.1	93	64
BKW350090	350	366	78	90 - 130	260.5	107	64
BKW400060	400	416	48	60 - 100	184.3	76	64
BKW400070	400	416	58	70 - 110	222.7	92	64
BKW400080	400	416	68	80 - 120	261.1	107	64
BKW400090	400	416	78	90 - 130	299.5	123	64
BKW500060	500	516	48	60 - 100	232.3	96	64
BKW500070	500	516	58	70 - 110	280.7	116	64
BKW500080	500	516	68	80 - 120	329.1	136	64
BKW500090	500	516	78	90 - 130	377.5	156	64
BKW600060	600	616	48	60 - 100	280.3	115	64
BKW600070	600	616	58	70 - 110	338.7	139	64
BKW600080	600	616	68	80 - 120	397.1	164	64
BKW600090	600	616	78	90 - 130	455.5	188	64

Trunking system with flexible screed casing and sealing option

Trunkings	Nominal size	Outer width mm	Trunking max. mm	Levelling range mm	Usable cross-section cm <sup>2</sup>	Max. Line allocation Ø 11 mm, half full	Page
BKFD150045	150	170	70	45 - 70	77	31	70
BKFD150065	150	170	110	65 - 110	121	50	70
BKFD150105	150	170	150	105 - 150	165	68	70
BKFD150145	150	170	190	145 - 190	209	86	70
BKFD200045	200	220	70	45 - 70	112	46	70
BKFD200065	200	220	110	65 - 110	176	72	70
BKFD200105	200	220	150	105 - 150	240	99	70
BKFD200145	200	220	190	145 - 190	304	125	70
BKFD250045	250	270	70	45 - 70	147	60	70
BKFD250065	250	270	110	65 - 110	231	95	70
BKFD250105	250	270	150	105 - 150	315	130	70
BKFD250145	250	270	190	145 - 190	399	164	70
BKFD300045	300	320	70	45 - 70	182	75	70
BKFD300065	300	320	110	65 - 110	286	118	70
BKFD300105	300	320	150	105 - 150	390	161	70
BKFD300145	300	320	190	145 - 190	494	204	70
BKFD350045	350	370	70	45 - 70	217	89	70
BKFD350065	350	370	110	65 - 110	341	140	70
BKFD350105	350	370	150	105 - 150	465	192	70
BKFD350145	350	370	190	145 - 190	589	243	70
BKFD400045	400	420	70	45 - 70	252	104	70
BKFD400065	400	420	110	65 - 110	396	163	70
BKFD400105	400	420	150	105 - 150	540	223	70
BKFD400145	400	420	190	145 - 190	684	282	70
BKFD500045	500	520	70	45 - 70	322	133	70
BKFD500065	500	520	110	65 - 110	506	209	70
BKFD500105	500	520	150	105 - 150	690	285	70
BKFD500145	500	520	190	145 - 190	874	361	70
BKFD600045	600	620	70	45 - 70	392	161	70
BKFD600065	600	620	110	65 - 110	616	254	70
BKFD600105	600	620	150	105 - 150	840	347	70
BKFD600145	600	620	190	145 - 190	1064	439	70

Trunking with trunking bottom and sealing option





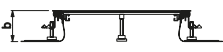
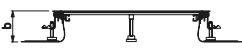
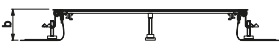
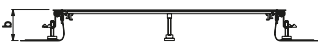
Trunkings	Nominal size	Outer width mm	Zughöhe mm	Levelling range mm	Usable cross-section cm <sup>2</sup>	Max. Line allocation Ø 11 mm, half full	Page
BKWD150040	150	170	28	40 - 60	37.5	15	72
BKWD150050	150	170	38	50 - 70	50.9	21	72
BKWD150060	150	170	48	60 - 100	64.3	26	72
BKWD200060	200	220	48	60 - 100	88.3	36	72
BKWD200070	200	220	58	70 - 110	106.7	44	72
BKWD200080	200	220	68	80 - 120	125.1	51	72
BKWD200090	200	220	78	90 - 130	143.5	59	72
BKWD250060	250	270	48	60 - 100	112.3	46	72
BKWD250070	250	270	58	70 - 110	135.7	56	72
BKWD250080	250	270	68	80 - 120	159.1	65	72
BKWD250090	250	270	78	90 - 130	182.5	75	72
BKWD300060	300	320	48	60 - 100	136.3	56	72
BKWD300070	300	320	58	70 - 110	164.7	68	72
BKWD300080	300	320	68	80 - 120	193.1	79	72
BKWD300090	300	320	78	90 - 130	221.5	91	72
BKWD350060	350	370	48	60 - 100	160.3	66	72
BKWD350070	350	370	58	70 - 110	193.7	80	72
BKWD350080	350	370	68	80 - 120	227.1	93	72
BKWD350090	350	370	78	90 - 130	260.5	107	72
BKWD400060	400	420	48	60 - 100	184.3	76	72
BKWD400070	400	420	58	70 - 110	222.7	92	72
BKWD400080	400	420	68	80 - 120	261.1	107	72
BKWD400090	400	420	78	90 - 130	299.5	123	72
BKWD500060	500	520	48	60 - 100	232.3	96	72
BKWD500070	500	520	58	70 - 110	280.7	116	72
BKWD500080	500	520	68	80 - 120	329.1	136	72
BKWD500090	500	520	78	90 - 130	377.5	156	72
BKWD600060	600	620	48	60 - 100	280.3	115	72
BKWD600070	600	620	58	70 - 110	338.7	139	72
BKWD600080	600	620	68	80 - 120	397.1	164	72
BKWD600090	600	620	78	90 - 130	455.5	188	72

# electraplan.BK - Screed-flush trunking system with flexible screed casing for dry-cleaned floors

electraplan.BK

- BKF: Complete trunking with flexible screed casing for screed-flush installation in dry rooms with dry-cleaned floors
- Floor-flush installation units can be installed from a screed height of 55 mm
- Blank covers and covers with blanking: Galvanised sheet metal in accordance with DIN EN 10327, material thickness 3 mm, length 800 mm, fastening bores countersunk on one side to facilitate individual choice of floor coverings
- Abutting edge for covering: PC/ABS halogen-free, 0 or 4 mm high, grey colour, flush-mounted
- Flexible screed casing: PVC, UV-resistant, highly impact-resistant
- Trunking levelling height from 30 mm with footfall sound insulation from 45 mm
- With factory-fitted levelling clamps, footfall sound insulation and set screws enclosed in accessories package



Nominal size	BKF levelling height b 45 - 70 mm sheet metal	BKF levelling height b 65 - 110 mm sheet metal	BKF levelling height b 105 - 150 mm sheet metal	BKF levelling height b 145 - 190 mm sheet metal
150 	<b>BKF150045</b> PU 24 m	<b>BKF150065</b> PU 24 m	<b>BKF150105</b> PU 24 m	<b>BKF150145</b> PU 24 m
200 	<b>BKF200045</b> PU 24 m	<b>BKF200065</b> PU 24 m	<b>BKF200105</b> PU 24 m	<b>BKF200145</b> PU 24 m
250 	<b>BKF250045</b> PU 24 m	<b>BKF250065</b> PU 24 m	<b>BKF250105</b> PU 24 m	<b>BKF250145</b> PU 24 m
300 	<b>BKF300045</b> PU 24 m	<b>BKF300065</b> PU 24 m	<b>BKF300105</b> PU 24 m	<b>BKF300145</b> PU 24 m
350 	<b>BKF350045</b> PU 24 m	<b>BKF350065</b> PU 24 m	<b>BKF350105</b> PU 24 m	<b>BKF350145</b> PU 24 m
400 	<b>BKF400045</b> PU 24 m	<b>BKF400065</b> PU 24 m	<b>BKF400105</b> PU 24 m	<b>BKF400145</b> PU 24 m
500 	<b>BKF500045</b> PU 24 m	<b>BKF500065</b> PU 24 m	<b>BKF500105</b> PU 24 m	<b>BKF500145</b> PU 24 m
600 	<b>BKF600045</b> PU 24 m	<b>BKF600065</b> PU 24 m	<b>BKF600105</b> PU 24 m	<b>BKF600145</b> PU 24 m

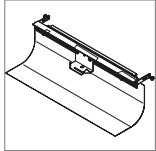


**Standard length**  
2400 mm

**Material**  
Galvanised sheet metal,  
Galvanised in accordance with  
DIN EN 10327

- Note**
- The blank covers are reinforced by load-bearing cross members located underneath them.
  - Optional snap fastener on the blank cover
  - The load-bearing capacity for components installed flush with the floor is 2 kn, a small amount of bending is permissible.
  - Sealing piece with foil as termination for screed-flush trunking, for pushing onto the end of the trunking

**Form of delivery**  
Up to width 300 mm, upper parts and lower parts are delivered assembled. Above width 350 mm, for weight reasons, the trunking upper parts are delivered separate.



**Sealing piece for BKF**  
Levelling height b  
Sheet metal

**BKFBV150**  
PU 1 pc

**BKFBV200**  
PU 1 pc

**BKFBV250**  
PU 1 pc

**BKFBV300**  
PU 1 pc

**BKFBV350**  
PU 1 pc

**BKFBV400**  
PU 1 pc

**BKFBV500**  
PU 1 pc

**BKFBV600**  
PU 1 pc

# electraplan.BK – screed-flush trunking system with trunking bottom for dry-cleaned floors

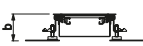

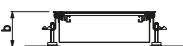
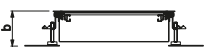

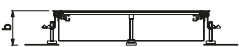
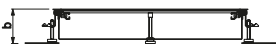
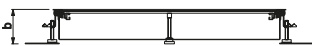
electraplan.BK

- BKW: Complete trunking with trunking bottom for screed-flush installation in dry rooms with dry-cleaned floors
- Trunking bottom: 1 mm sheet metal, galvanised in accordance with DIN EN 10327
- Floor-flush installation units can be installed on trunking with an adjustment range of 70 - 110 mm or higher.

- Blank covers and covers with blanking: Galvanised sheet metal in accordance with DIN EN 10327, material thickness 3 mm, length 800 mm, fastening bores countersunk on one side to facilitate individual choice of floor coverings
- Abutting edge for covering PC/ABS halogen-free, 0 or 4 mm high, grey colour, flush-mounted

- Trunking levelling height from 30 mm with footfall sound insulation from 45 mm
- With factory-fitted levelling clamps, footfall sound insulation and set screws enclosed in accessories package
- Fixed inserted sheet metal partition wall available on request



Nominal size	BKW Levelling height b 40 - 60 mm sheet metal	BKW Levelling height b 50 - 70 mm Sheet metal	BKW Levelling height b 60 - 100 mm sheet metal	BKW Levelling height b 70 - 110 mm Sheet metal	BKW Levelling height b 80 - 120 mm Sheet metal	BKW Levelling height b 90 - 130 mm Sheet metal
150 	<b>BKW150040</b> PU 24 m	<b>BKW150050</b> PU 24 m	<b>BKW150060</b> PU 24 m	<b>BKW150070</b> PU 24 m		
200 			<b>BKW200060</b> PU 24 m	<b>BKW200070</b> PU 24 m	<b>BKW200080</b> PU 24 m	<b>BKW200090</b> PU 24 m
250 			<b>BKW250060</b> PU 24 m	<b>BKW250070</b> PU 24 m	<b>BKW250080</b> PU 24 m	<b>BKW250090</b> PU 24 m
300 			<b>BKW300060</b> PU 24 m	<b>BKW300070</b> PU 24 m	<b>BKW300080</b> PU 24 m	<b>BKW300090</b> PU 24 m
350 			<b>BKW350060</b> PU 24 m	<b>BKW350070</b> PU 24 m	<b>BKW350080</b> PU 24 m	<b>BKW350090</b> PU 24 m
400 			<b>BKW400060</b> PU 24 m	<b>BKW400070</b> PU 24 m	<b>BKW400080</b> PU 24 m	<b>BKW400090</b> PU 24 m
500 			<b>BKW500060</b> PU 24 m	<b>BKW500070</b> PU 24 m	<b>BKW500080</b> PU 24 m	<b>BKW500090</b> PU 24 m
600 			<b>BKW600060</b> PU 24 m	<b>BKW600070</b> PU 24 m	<b>BKW600080</b> PU 24 m	<b>BKW600090</b> PU 24 m

**Standard length**  
2400 mm

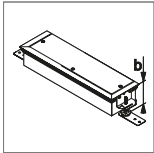
**Material**  
Galvanised sheet metal,  
galvanised in accordance with  
DIN EN 10327

**Note**

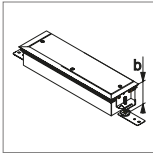
- The blank covers are reinforced by load-bearing cross members located underneath them.
- Optional snap fastener on the blank cover
- The load-bearing capacity for components installed flush with the floor is 2kn, a small amount of bending is permissible.
- End piece with trunking bottom as termination for screed-flush trunking, for connection to the end of the trunking - With factory-fitted levelling clamps, footfall sound insulation and set screws enclosed

**Form of delivery**

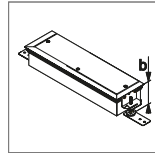
Up to width 300 mm, upper parts and lower parts are delivered assembled. Above width 350 mm, for weight reasons, the trunking upper parts are delivered separate.



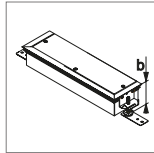
**BKW end piece**  
Levelling height b  
40 - 60 mm sheet  
metal



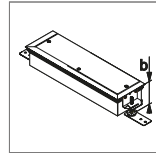
**BKW end piece**  
Levelling height b  
50 - 70 mm  
Sheet metal



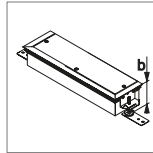
**BKW end piece**  
Levelling height b  
60 - 100 mm  
Sheet metal



**BKW end piece**  
Levelling height b  
70 - 110 mm  
Sheet metal



**BKW end piece**  
Levelling height b  
80 - 120 mm  
Sheet metal



**BKW end piece**  
Levelling height b  
90 - 130 mm  
Sheet metal

**BKWE150040**  
PU 1 pc

**BKWE150050**  
PU 1 pc

**BKWE150060**  
PU 1 pc

**BKWE150070**  
PU 1 pc

**BKWE200060**  
PU 1 pc

**BKWE200070**  
PU 1 pc

**BKWE200080**  
PU 1 pc

**BKWE200090**  
PU 1 pc

**BKWE250060**  
PU 1 pc

**BKWE250070**  
PU 1 pc

**BKWE250080**  
PU 1 pc

**BKWE250090**  
PU 1 pc

**BKWE300060**  
PU 1 pc

**BKWE300070**  
PU 1 pc

**BKWE300080**  
PU 1 pc

**BKWE300090**  
PU 1 pc

**BKWE350060**  
PU 1 pc

**BKWE350070**  
PU 1 pc

**BKWE350080**  
PU 1 pc

**BKWE350090**  
PU 1 pc

**BKWE400060**  
PU 1 pc

**BKWE400070**  
PU 1 pc

**BKWE400080**  
PU 1 pc

**BKWE400090**  
PU 1 pc

**BKWE500060**  
PU 1 pc

**BKWE500070**  
PU 1 pc

**BKWE500080**  
PU 1 pc

**BKWE500090**  
PU 1 pc

**BKWE600060**  
PU 1 pc

**BKWE600070**  
PU 1 pc

**BKWE600080**  
PU 1 pc

**BKWE600090**  
PU 1 pc

# electraplan.BK – covers for screed-flush trunking systems for dry-cleaned floors

electraplan.BK

- As additional covering, fastening bores countersunk on one side to facilitate individual choice of floor coverings, incl. Fastening screws
- Blank covers and covers with blankings for service units

### Blankings:

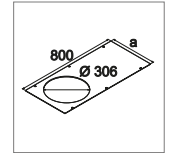
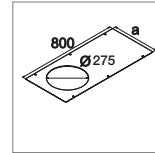
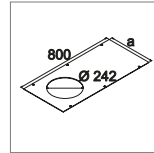
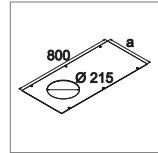
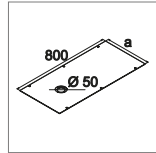
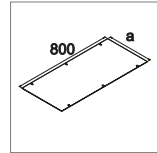
- GBZ: round 50 mm
- R06: round 215 mm
- R10: round 275 mm
- R12: round 306 mm
- Q06: square 200 x 200 mm
- Q08: square 294 x 294 mm
- Q12: square 244 x 244 mm
- E04: rectangular 147 x 247 mm
- E09: rectangular 200 x 253 mm

### Standard length

800 mm

### Material

3 mm galvanised sheet metal, galvanised in accordance with DIN EN 10327



Nominal size a

**Blank cover**

Sheet metal

**Cover**

Blanking for GBZ  
Sheet metal

**Cover**

Blanking for R06  
Sheet metal

**Cover**

Blanking for R2  
Sheet metal

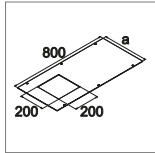
**Cover**

Blanking for R10  
Sheet metal

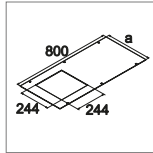
**Cover**

Blanking for R12  
Sheet metal

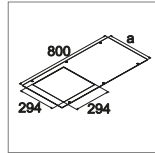
150	<b>BKA150800</b> PU 1 pc	<b>BKA150800GBZ</b> PU 1 pc				
200	<b>BKA200800</b> PU 1 pc	<b>BKA200800GBZ</b> PU 1 pc				
250	<b>BKA250800</b> PU 1 pc	<b>BKA250800GBZ</b> PU 1 pc				
300	<b>BKA300800</b> PU 1 pc	<b>BKA300800GBZ</b> PU 1 pc	<b>BKA300800R06</b> PU 1 pc			
350	<b>BKA350800</b> PU 1 pc	<b>BKA350800GBZ</b> PU 1 pc	<b>BKA350800R06</b> PU 1 pc	<b>BKA350800R2</b> PU 1 pc	<b>BKA350800R10</b> PU 1 pc	
400	<b>BKA400800</b> PU 1 pc	<b>BKA400800GBZ</b> PU 1 pc	<b>BKA400800R06</b> PU 1 pc	<b>BKA400800R2</b> PU 1 pc	<b>BKA400800R10</b> PU 1 pc	<b>BKA400800R12</b> PU 1 pc
500	<b>BKA500800</b> PU 1 pc	<b>BKA500800GBZ</b> PU 1 pc	<b>BKA500800R06</b> PU 1 pc	<b>BKA500800R2</b> PU 1 pc	<b>BKA500800R10</b> PU 1 pc	<b>BKA500800R12</b> PU 1 pc
600	<b>BKA600800</b> PU 1 pc	<b>BKA600800GBZ</b> PU 1 pc	<b>BKA600800R06</b> PU 1 pc	<b>BKA600800R2</b> PU 1 pc	<b>BKA600800R10</b> PU 1 pc	<b>BKA600800R12</b> PU 1 pc



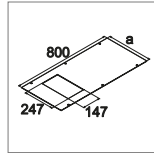
**Cover**  
Blanking  
for Q06  
Sheet metal



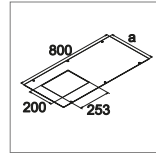
**Cover**  
Blanking  
for Q08  
Sheet metal



**Cover**  
Blanking  
for Q12  
Sheet metal



**Cover**  
Blanking  
for E04  
Sheet metal



**Cover**  
Blanking  
for E09  
Sheet metal

**BKA250800E04**  
PU 1 pc

**BKA300800Q06**  
PU 1 pc

**BKA300800E04**  
PU 1 pc

**BKA300800E09**  
PU 1 pc

**BKA350800Q06**  
PU 1 pc

**BKA350800Q12**  
PU 1 pc

**BKA350800E04**  
PU 1 pc

**BKA350800E09**  
PU 1 pc

**BKA400800Q06**  
PU 1 pc

**BKA400800Q08**  
PU 1 pc

**BKA400800Q12**  
PU 1 pc

**BKA400800E04**  
PU 1 pc

**BKA400800E09**  
PU 1 pc

**BKA500800Q06**  
PU 1 pc

**BKA500800Q08**  
PU 1 pc

**BKA500800Q12**  
PU 1 pc

**BKA500800E04**  
PU 1 pc

**BKA500800E09**  
PU 1 pc

**BKA600800Q06**  
PU 1 pc

**BKA600800Q08**  
PU 1 pc

**BKA600800Q12**  
PU 1 pc

**BKA600800E04**  
PU 1 pc

**BKA600800E09**  
PU 1 pc

# electraplan.BK – cross members for screed-flush trunking systems for dry-cleaned floors

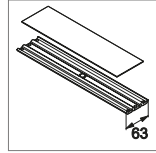
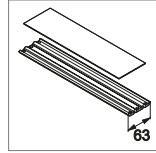
electraplan.BK

- Cross members for additional load-bearing support underneath blank covers and covers with blankings on screed-flush trunking, fastened with screws in the trunking side profile

- BKTN: without centre support  
- BKTMN: with centre support, set screws need to be ordered separately

**Note**

- Cross members with centre support must be equipped with M8 levelling set screws to avoid unacceptable bending in situ.



**Nominal size a**

**Cross member**  
Sheet metal

**Cross member**  
for centre support  
Sheet metal





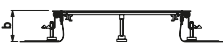

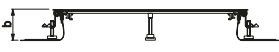
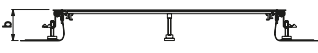
150	<b>BKTN150</b> PU 1 pc	
200	<b>BKTN200</b> PU 1 pc	
250	<b>BKTN250</b> PU 1 pc	<b>BKTMN250</b> PU 1 pc
300	<b>BKTN300</b> PU 1 pc	<b>BKTMN300</b> PU 1 pc
350	<b>BKTN350</b> PU 1 pc	<b>BKTMN350</b> PU 1 pc
400		<b>BKTMN400</b> PU 1 pc
500		<b>BKTMN500</b> PU 1 pc
600		<b>BKTMN600</b> PU 1 pc



# electraplan.BK – screed-flush trunking system with flexible screed casing and sealing option

- BKFD: Complete trunking with flexible screed casing and sealing option for screed-flush installation in dry rooms
- Floor-flush installation units can be installed from a screed height of 55 mm
- Blank covers and covers with blanking: Galvanised sheet metal in accordance with DIN EN 10327, material thickness 3 mm, length 800 mm, fastening bores countersunk on one side to facilitate individual choice of floor coverings
- Abutting edge for covering PC/ABS halogen-free, 0 or 4 mm high, grey colour, flush-mounted
- Flexible screed casing: PVC, UV-resistant, highly impact-resistant
- Trunking levelling height from 30 mm with footfall sound insulation from 45 mm
- With factory-fitted levelling clamps, sealing tape, footfall sound insulation and set screws enclosed



Nominal size	<b>BKFD</b> Levelling height b 45 - 70 mm Sheet metal	<b>BKFD</b> Levelling height b 65 - 110 mm Sheet metal	<b>BKFD</b> Levelling height b 105 - 150 mm Sheet metal	<b>BKFD</b> Levelling height b 145 - 190 mm Sheet metal
150 	<b>BKFD150045</b> PU 24 m	<b>BKFD150065</b> PU 24 m	<b>BKFD150105</b> PU 24 m	<b>BKFD150145</b> PU 24 m
200 	<b>BKFD200045</b> PU 24 m	<b>BKFD200065</b> PU 24 m	<b>BKFD200105</b> PU 24 m	<b>BKFD200145</b> PU 24 m
250 	<b>BKFD250045</b> PU 24 m	<b>BKFD250065</b> PU 24 m	<b>BKFD250105</b> PU 24 m	<b>BKFD250145</b> PU 24 m
300 	<b>BKFD300045</b> PU 24 m	<b>BKFD300065</b> PU 24 m	<b>BKFD300105</b> PU 24 m	<b>BKFD300145</b> PU 24 m
350 	<b>BKFD350045</b> PU 24 m	<b>BKFD350065</b> PU 24 m	<b>BKFD350105</b> PU 24 m	<b>BKFD350145</b> PU 24 m
400 	<b>BKFD400045</b> PU 24 m	<b>BKFD400065</b> PU 24 m	<b>BKFD400105</b> PU 24 m	<b>BKFD400145</b> PU 24 m
500 	<b>BKFD500045</b> PU 24 m	<b>BKFD500065</b> PU 24 m	<b>BKFD500105</b> PU 24 m	<b>BKFD500145</b> PU 24 m
600 	<b>BKFD600045</b> PU 24 m	<b>BKFD600065</b> PU 24 m	<b>BKFD600105</b> PU 24 m	<b>BKFD600145</b> PU 24 m



**Standard length**  
2400 mm

**Material**

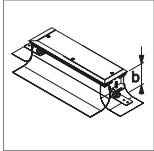
Galvanised sheet metal,  
galvanised in accordance with  
DIN EN 10327

**Note**

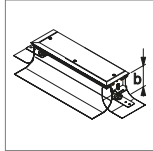
- The blank covers are reinforced by load-bearing cross members located underneath them.
- Optional snap fastener on the blank cover
- The load-bearing capacity for components installed flush with the floor is 2kn, a small amount of bending is permissible.
- End piece with foil as termination for screed-flush trunking, for connection to the end of the trunking - With factory-fitted levelling clamps, sealing tape, footfall sound insulation and set screws enclosed in accessories package

**Form of delivery**

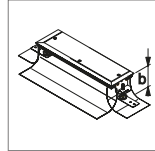
Up to width 300 mm, upper parts and lower parts are delivered assembled. Above width 350 mm, for weight reasons, the trunking upper parts are delivered separate.



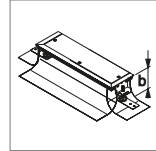
**Endstück BKFD**  
Levelling height b  
45 - 70 mm  
Sheet metal



**Endstück BKFD**  
Levelling height b  
65 - 110 mm  
Sheet metal



**Endstück BKFD**  
Levelling height b  
105 - 150 mm  
Sheet metal



**Endstück BKFD**  
Levelling height b  
145 - 190 mm  
Sheet metal

**BKFDE150045**  
PU 1 pc  
PrGr T07  
95,50 €/pc

**BKFDE150065**  
PU 1 pc  
PrGr T07  
96,50 €/pc

**BKFDE150105**  
PU 1 pc  
PrGr T07  
98,20 €/pc

**BKFDE150145**  
PU 1 pc  
PrGr T07  
100,20 €/pc

**BKFDE200045**  
PU 1 pc  
PrGr T07  
99,70 €/pc

**BKFDE200065**  
PU 1 pc  
PrGr T07  
100,80 €/pc

**BKFDE200105**  
PU 1 pc  
PrGr T07  
102,40 €/pc

**BKFDE200145**  
PU 1 pc  
PrGr T07  
104,60 €/pc

**BKFDE250045**  
PU 1 pc  
PrGr T07  
104,00 €/pc

**BKFDE250065**  
PU 1 pc  
PrGr T07  
105,10 €/pc

**BKFDE250105**  
PU 1 pc  
PrGr T07  
106,70 €/pc

**BKFDE250145**  
PU 1 pc  
PrGr T07  
108,90 €/pc

**BKFDE300045**  
PU 1 pc

**BKFDE300065**  
PU 1 pc

**BKFDE300105**  
PU 1 pc

**BKFDE300145**  
PU 1 pc

**BKFDE350045**  
PU 1 pc

**BKFDE350065**  
PU 1 pc

**BKFDE350105**  
PU 1 pc

**BKFDE350145**  
PU 1 pc

**BKFDE400045**  
PU 1 pc

**BKFDE400065**  
PU 1 pc

**BKFDE400105**  
PU 1 pc

**BKFDE400145**  
PU 1 pc

**BKFDE500045**  
PU 1 pc

**BKFDE500065**  
PU 1 pc

**BKFDE500105**  
PU 1 pc

**BKFDE500145**  
PU 1 pc

**BKFDE600045**  
PU 1 pc

**BKFDE600065**  
PU 1 pc

**BKFDE600105**  
PU 1 pc

**BKFDE600145**  
PU 1 pc

# electraplan.BK – screed-flush trunking system with trunking bottom and sealing option



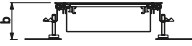





electraplan.BK

- BKWD: Complete trunking with trunking bottom and sealing option for screed-flush installation in dry rooms
- Trunking bottom: 1 mm sheet metal, galvanised in accordance with DIN EN 10327
- Floor-flush installation units can be installed on trunking with an adjustment range of 70 - 110 mm or higher.

- Blank covers and covers with blanking: Galvanised sheet metal in accordance with DIN EN 10327, material thickness 3 mm, length 800 mm, fastening bores countersunk on one side to facilitate individual choice of floor coverings
- Abutting edge for covering: PC/ABS halogen-free,

- 0 or 4 mm high, grey colour, flush-mounted
- Trunking levelling height from 30 mm with footfall sound insulation from 45 mm
- With factory-fitted levelling clamps, sealing tape, footfall sound insulation and set screws enclosed
- Fixed inserted sheet metal partition wall available on request



Nominal size	BKWD Levelling height b 40 - 60 mm Sheet metal	BKWD Levelling height b 50 - 70 mm Sheet metal	BKWD Levelling height b 60 - 100 mm Sheet metal	BKWD Levelling height b 70 - 110 mm Sheet metal	BKWD Levelling height b 80 - 120 mm Sheet metal	BKWD Levelling height b 90 - 130 mm Sheet metal
150 	<b>BKWD150040</b> PU 24 m	<b>BKWD150050</b> PU 24 m	<b>BKWD150060</b> PU 24 m			
200 			<b>BKWD200060</b> PU 24 m	<b>BKWD200070</b> PU 24 m	<b>BKWD200080</b> PU 24 m	<b>BKWD200090</b> PU 24 m
250 			<b>BKWD250060</b> PU 24 m	<b>BKWD250070</b> PU 24 m	<b>BKWD250080</b> PU 24 m	<b>BKWD250090</b> PU 24 m
300 			<b>BKWD300060</b> PU 24 m	<b>BKWD300070</b> PU 24 m	<b>BKWD300080</b> PU 24 m	<b>BKWD300090</b> PU 24 m
350 			<b>BKWD350060</b> PU 24 m	<b>BKWD350070</b> PU 24 m	<b>BKWD350080</b> PU 24 m	<b>BKWD350090</b> PU 24 m
400 			<b>BKWD400060</b> PU 24 m	<b>BKWD400070</b> PU 24 m	<b>BKWD400080</b> PU 24 m	<b>BKWD400090</b> PU 24 m
500 			<b>BKWD500060</b> PU 24 m	<b>BKWD500070</b> PU 24 m	<b>BKWD500080</b> PU 24 m	<b>BKWD500090</b> PU 24 m
600 			<b>BKWD600060</b> PU 24 m	<b>BKWD600070</b> PU 24 m	<b>BKWD600080</b> PU 24 m	<b>BKWD600090</b> PU 24 m

**Standard length**  
2400 mm

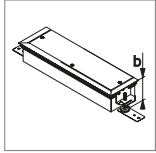
**Material**  
Galvanised sheet metal,  
galvanised in accordance with  
DIN EN 10327

**Note**

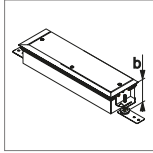
- The blank covers are reinforced by load-bearing cross members located underneath them.
- Optional snap fastener on the blank cover
- The load-bearing capacity for components installed flush with the floor is 2kn, a small amount of bending is permissible.
- End piece with trunking bottom as termination for screed-flush trunking, for connection to the end of the trunking - With factory-fitted levelling clamps, sealing tape, footfall sound insulation and set screws enclosed in accessories package

**Form of delivery**

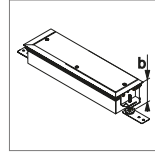
Up to width 300 mm, upper parts and lower parts are delivered assembled. Above width 350 mm, for weight reasons, the trunking upper parts are delivered separate.



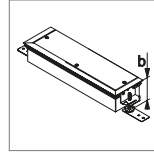
**Endstück BKWD**  
Levelling height b  
40 - 60 mm  
Sheet metal



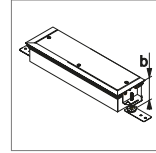
**Endstück BKWD**  
Levelling height b  
50 - 70 mm  
Sheet metal



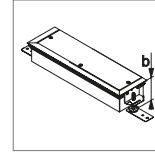
**Endstück BKWD**  
Levelling height b  
60 - 100 mm  
Sheet metal



**Endstück BKWD**  
Levelling height b  
70 - 110 mm  
Sheet metal



**Endstück BKWD**  
Levelling height b  
80 - 120 mm  
Sheet metal



**Endstück BKWD**  
Levelling height b  
90 - 130 mm  
Sheet metal

**BKWDE150040**  
PU 1 pc

**BKWDE150050**  
PU 1 pc

**BKWDE150060**  
PU 1 pc

**BKWDE200060**  
PU 1 pc

**BKWDE200070**  
PU 1 pc

**BKWDE200080**  
PU 1 pc

**BKWDE200090**  
PU 1 pc

**BKWDE250060**  
PU 1 pc

**BKWDE250070**  
PU 1 pc

**BKWDE250080**  
PU 1 pc

**BKWDE250090**  
PU 1 pc

**BKWDE300060**  
PU 1 pc

**BKWDE300070**  
PU 1 pc

**BKWDE300080**  
PU 1 pc

**BKWDE300090**  
PU 1 pc

**BKWDE350060**  
PU 1 pc

**BKWDE350070**  
PU 1 pc

**BKWDE350080**  
PU 1 pc

**BKWDE350090**  
PU 1 pc

**BKWDE400060**  
PU 1 pc

**BKWDE400070**  
PU 1 pc

**BKWDE400080**  
PU 1 pc

**BKWDE400090**  
PU 1 pc

**BKWDE500060**  
PU 1 pc

**BKWDE500070**  
PU 1 pc

**BKWDE500080**  
PU 1 pc

**BKWDE500090**  
PU 1 pc

**BKWDE600060**  
PU 1 pc

**BKWDE600070**  
PU 1 pc

**BKWDE600080**  
PU 1 pc

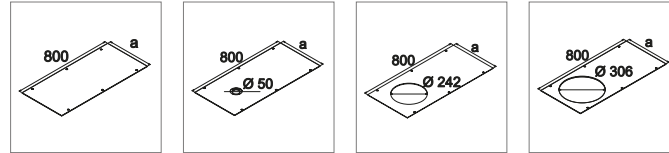
**BKWDE600090**  
PU 1 pc

- As additional covering, fastening bores countersunk on one side to facilitate individual choice of floor coverings, incl. Fastening screws
- Blank covers and covers with blankings for pedestal boxes and service units VANR12

**Blankings**  
 GBZ: round 50 mm  
 R12: round 306 mm

**Standard length**  
 800 mm

**Material**  
 3 mm galvanised sheet metal, Galvanised in accordance with DIN EN 10327



Nominal size a

**Blank cover**

Sheet metal

**Cover**

Blanking for GBZ  
 Sheet metal

**Cover**

Blanking for R2  
 Sheet metal

**Cover**

Blanking for R12  
 Sheet metal

150

**BKAD150**  
 PU 1 pc

**BKAD150GBZ**  
 PU 1 pc

200

**BKAD200**  
 PU 1 pc

**BKAD200GBZ**  
 PU 1 pc

250

**BKAD250**  
 PU 1 pc

**BKAD250GBZ**  
 PU 1 pc

300

**BKAD300**  
 PU 1 pc

**BKAD300GBZ**  
 PU 1 pc

350

**BKAD350**  
 PU 1 pc

**BKAD350GBZ**  
 PU 1 pc

**BKAD350800R2**  
 PU 1 pc

400

**BKAD400**  
 PU 1 pc

**BKAD400GBZ**  
 PU 1 pc

**BKAD400800R2**  
 PU 1 pc

**BKAD400R12**  
 PU 1 pc

500

**BKAD500**  
 PU 1 pc

**BKAD500GBZ**  
 PU 1 pc

**BKAD500800R2**  
 PU 1 pc

**BKAD500R12**  
 PU 1 pc

600

**BKAD600**  
 PU 1 pc

**BKAD600GBZ**  
 PU 1 pc

**BKAD600800R2**  
 PU 1 pc

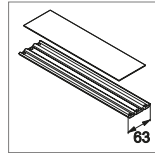
**BKAD600R12**  
 PU 1 pc

- Cross members for additional load-bearing support underneath blank covers and covers with blankings on screed-flush trunking, fastened with screws in the trunking side profile
- BKTD: without centre support

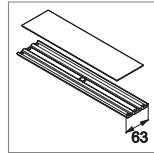
- BKTMD: with centre support, set screws need to be ordered separately

**Note**

- Cross members with a centre support must be equipped with set screws M8 on-site to prevent excessive bending.



**Cross member**  
Sheet metal



**Cross member**  
for centre support  
Sheet metal

**Nominal size**

150	<b>BKTD150</b> PU 1 pc	
200	<b>BKTD200</b> PU 1 pc	
250	<b>BKTD250</b> PU 1 pc	<b>BKTMD250</b> PU 1 pc
300	<b>BKTD300</b> PU 1 pc	<b>BKTMD300</b> PU 1 pc
350	<b>BKTD350</b> PU 1 pc	<b>BKTMD350</b> PU 1 pc
400		<b>BKTMD400</b> PU 1 pc
500		<b>BKTMD500</b> PU 1 pc
600		<b>BKTMD600</b> PU 1 pc

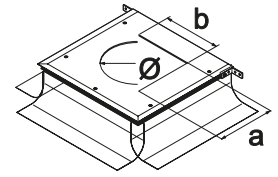


BKSAB00

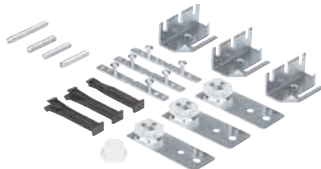
**Junction box with foil**

**Properties:**

- Junction box for side mounting on floor trunking for dry rooms with dry or wet-cleaned flooring, for the mounting of installation units (flush with the floor or protruding above it) with fitting frame
- Outer dimension: 411 x 388 mm
- Junction boxes avoid narrowing of the trunking cross-section, which is otherwise unavoidable when installation units are mounted directly in the trunking.
- A levelling clamp from the existing trunking and a levelling set are required for the installation.
- The levelling set needs to be ordered separately.
- Available with trunking bottom on request



Designation	Blanking	Ø [mm]	a [mm]	b [mm]	PU	Order no.
Side junction box for floor trunking, blank					1	<b>BKSAB00</b>
Side junction box for floor trunking with GBZ blanking	50				1	<b>BKSAG00</b>
Side junction box for floor trunking with E04 blanking		147	247		1	<b>BKSAE04</b>
Side junction box for floor trunking with E09 blanking		200	253		1	<b>BKSAE09</b>
Side junction box for floor trunking with Q06 blanking		200	200		1	<b>BKSAQ06</b>
Side junction box for floor trunking with R06 blanking	215				1	<b>BKSAR06</b>
Side junction box for floor trunking with Q12 blanking		244	244		1	<b>BKSAQ12</b>
Side junction box for floor trunking with R10 blanking	275				1	<b>BKSAR10</b>
Side junction box for floor trunking with Q08 blanking		294	294		1	<b>BKSAQ08</b>
Side junction box for floor trunking with R12 blanking	306				1	<b>BKSAR12</b>



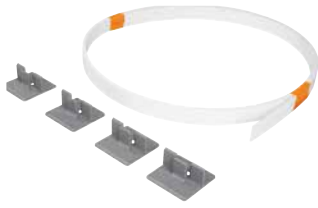
BKSAN045070

**Levelling set for junction box**

**Properties:**

- Levelling set comprising 3 levelling clamps, 4 set screws with insulating mounts, 3 screed anchors

Designation	Height adjustment range [mm]	PU	Order no.
Levelling set for BKSA h.-adj. range 45- 70		1	<b>BKSAN045070</b>
Levelling set for BKSA h.-adj. range 65-110		1	<b>BKSAN065110</b>
Levelling set for BKSA h.-adj. range 105-150		1	<b>BKSAN105150</b>
Levelling set for BKSA h.-adj. range 145-190		1	<b>BKSAN145190</b>

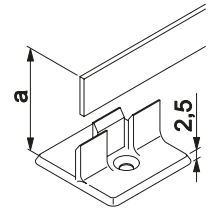


BKTWK16

**Partition wall made of PS**

**Properties:**

- Partition wall for separating trunking into compartments, accessory for screed-flush trunking
- Includes 4 partition wall feet for attachment with anchors to the bare floor
- Total height with partition wall feet = nominal height a + 2.5 mm
- Length: 2000 mm



Designation	PU	Order no.
Partition wall, nominal height 16 mm, L = 2000 mm, PS	1	<b>BKTWK16</b>
Partition wall, nominal height 31mm, L = 2000 mm, PS	1	<b>BKTWK31</b>
Partition wall, nominal height 46mm, L = 2000 mm, PS	1	<b>BKTWK46</b>
Partition wall, nominal height 61mm, L = 2000 mm, PS	1	<b>BKTWK61</b>
Partition wall, nominal height 76mm, L = 2000 mm, PS	1	<b>BKTWK76</b>
Partition wall, nominal height 91mm, L = 2000 mm, PS	1	<b>BKTWK91</b>

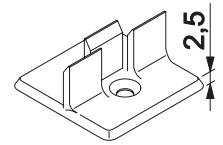


BKTWF00

**Partition wall foot made of PS**

**Properties:**

- If required



Designation	PU	Order no.
PS partition wall foot for PS partition wall	1	<b>BKTWF00</b>



BKTWS20

**Partition wall made of sheet metal**

**Properties:**

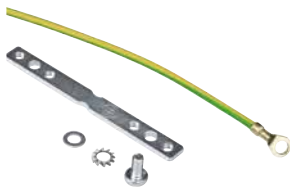
- Partition wall for separating trunking into compartments, accessory for screed-flush trunking
- For attachment to the bare floor with anchors
- Length: 2400 mm

**Material:**

- 1 mm galvanised sheet metal, galvanised in accordance with DIN EN 10327

Designation	PU	Order no.
Partition wall, nominal height 20 mm, L = 2400 mm, sheet metal	1	<b>BKTWS20</b>
Partition wall, nominal height 35mm, L = 2400 mm, sheet metal	1	<b>BKTWS35</b>
Partition wall, nominal height 50mm, L = 2400 mm, sheet metal	1	<b>BKTWS50</b>
Partition wall, nominal height 65mm, L = 2400 mm, sheet metal	1	<b>BKTWS65</b>
Partition wall, nominal height 80mm, L = 2400 mm, sheet metal	1	<b>BKTWS80</b>
Partition wall, nominal height 95mm, L = 2400 mm, sheet metal	1	<b>BKTWS95</b>
Partition wall, nominal height 110mm, L = 2400 mm, sheet metal	1	<b>BKTWS110</b>

electraplan.BK



BKZSA200

**Earth conductor for earthing of the trunking system**

**Properties:**

- Screwed to straight trunking connector, flexible wire 2.5 mm<sup>2</sup>, 200 mm long, green/yellow
- 1 x ring cable lug, 1 x wire end ferrule
- Suitable for screed-flush trunking systems for dry-cleaned floors

Designation	PU	Order no.
Earth conductor for earthing of the underfloor trunking	1	<b>BKZSA200</b>



BKZSAK00

**Earth conductor, connecting clamp**

**Properties:**

- Connecting terminal with inner profile slot, flexible wire 4 mm<sup>2</sup>, 200 mm long, green/yellow
- Suitable for screed-flush floor trunking with sealing option

Designation	PU	Order no.
Erdungsklemme zu Bodenkanal BK	1	<b>BKZSAK00</b>



BKZM203

**Sponge rubber strip**

**Properties:**

- Sponge rubber strip for absorbing expansion pressure, self-adhesive, for installation on-site on the side profiles
- 2 metres of sponge rubber required for each metre of trunking
- Always coordinate use of the sponge rubber strips with the screed layer.

Designation	PU	Order no.
Sponge rubber strip, 20 x 3mm, self-adhesive	1	<b>BKZM203</b>



BKZBSK7011

**Abutting edge for covering**

**Properties:**

- If required
- The abutting edge for the covering can be used visibly (height 4 mm) or concealed by the floor covering.
- 2 metres of abutting edge for covering required for each metre of trunking
- Abutting edge for covering with a height of 3.2 mm available on request

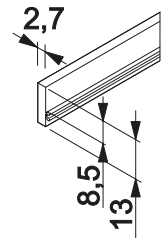
**Material:**

- PC/ABS halogen-free

**Available colours:**

- RAL7011, iron grey
- RAL9005, deep black

Designation	PU	Order no.
Abutting edge for covering height 4 mm PC/ABS hal.-free, eg	1	<b>BKZBSK7011</b>
Abutting edge for covering height 4 mm PC/ABS hal.-free, ts	1	<b>BKZBSK9005</b>







BKZBSA7011

**Butt joint cover:**

**Properties:**

- To meet additional demand
- Remove factory-fitted abutting edge
- 2 metres of butt joint cover required for each metre of trunking

Designation	PU	Order no.
Butt joint cover PVC iron grey	1	<b>BKZBSA7011</b>



BKZEA00

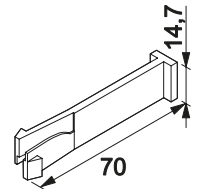
**Screed anchor**

**Properties:**

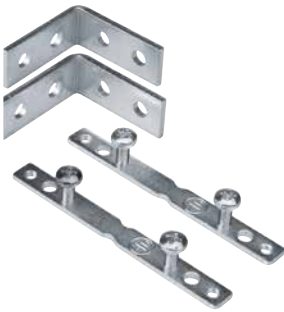
- For stabilising the trunking side profiles
- For snapping into the trunking side profile
- Max. installation gap between screed anchors is 800 mm along the side profile.

**Material:**

- PA6



Designation	PU	Order no.
Screed anchor, plastic PA6	1	<b>BKZEA00</b>



BKZVS90

**Connection set**

**Properties:**

- For use as additional installation material in order to create 90° branches on-site using the existing trunking material.
- Comprises 2 outer angled connectors 18 mm, 2 straight trunking connectors and 2 screws M5 x 12

Designation	PU	Order no.
Connection set for 90 deg. branch, steel	1	<b>BKZVS90</b>



**Trunking connector straight**

**Properties:**  
- If required

BKZKV180

Designation	PU	Order no.
Underfloor trunking connector straight 180 deg. steel	1	<b>BKZKV180</b>

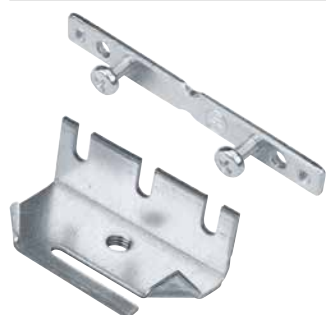


**Trunking connector angled**

**Properties:**  
- If required

BKZKV090

Designation	PU	Order no.
Underfloor trunking connector angled 90 degrees, steel	1	<b>BKZKV090</b>



**Levelling clamp**

**Properties:**  
 - Levelling clamp for mounting set screws  
 - External assembly on the side profile of screed-flush trunking with a straight trunking connector and two screws  
 - Maximum installation distance between levelling clamps 800 mm along the trunking side profile

**Material:**  
Steel, electroplated

BKZN030

	From height of ducting with footfall sound insulation mountings
<b>BKZN30</b>	<b>45 mm</b>
<b>BKZN50</b>	<b>65 mm</b>

Designation	PU	Order no.
Lev. clamp for mounting lev. studs Lev. height 45	1	<b>BKZN030</b>
Lev. clamp for mounting lev. studs Lev. height 65	1	<b>BKZN050</b>



BKZNS25

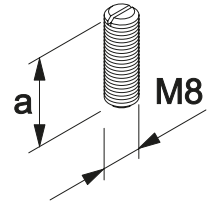
**Set screws**

**Properties:**

- Set screw M8 for elevating the screed-flush trunking, for screwing into the levelling clamp or cross member

**Note:**

- Set screws that protrude above the upper edge of the screed or cross member must be shortened.
- Other heights available on request



Designation	Länge a	PU	Order no.
Set screw M8 x 25, levelling height 25 mm		1	<b>BKZNS25</b>
Set screw M8 x 30, levelling height 30mm		1	<b>BKZNS30</b>
Set screw M8 x 35, levelling height 35mm		1	<b>BKZNS35</b>
Set screw M8 x 40, levelling height 40mm		1	<b>BKZNS40</b>
Set screw M8 x 45, levelling height 45mm		1	<b>BKZNS45</b>
Set screw M8 x 50, levelling height 50mm		1	<b>BKZNS50</b>
Set screw M8 x 55, levelling height 55mm		1	<b>BKZNS55</b>
Set screw M8 x 60, levelling height 60mm		1	<b>BKZNS60</b>
Set screw M8 x 65, levelling height 65mm		1	<b>BKZNS65</b>
Set screw M8 x 70, levelling height 70mm		1	<b>BKZNS70</b>
Set screw M8 x 75, levelling height 75mm		1	<b>BKZNS75</b>
Set screw M8 x 80, levelling height 80mm		1	<b>BKZNS80</b>
Set screw M8 x 85, levelling height 85mm		1	<b>BKZNS85</b>
Set screw M8 x 90, levelling height 90mm		1	<b>BKZNS90</b>
Set screw M8 x 100, levelling height 100mm		1	<b>BKZNS100</b>
Set screw M8 x 120, levelling height 120mm		1	<b>BKZNS120</b>
Set screw M8 x 140, levelling height 140mm		1	<b>BKZNS140</b>
Set screw M8 x 160, levelling height 160mm		1	<b>BKZNS160</b>



BKZKM80

**Lock nut M8**

**Properties:**

- Nut M8 for locking set screws in cross members

Designation	PU	Order no.
Lock nut M8 for locking h.-adj. pin	1	<b>BKZKM80</b>



BKZHP00

**Retaining tab with insulating mount**

**Properties:**

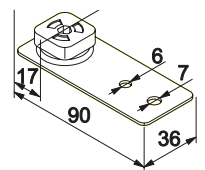
- Retaining tab with insulating mount for fastening of the screed-flush trunking on the bare floor for footfall sound-insulated installation of set screws M8

**Material:**

- Retaining tabs made of galvanised steel in accordance with DIN EN 10327
- Insulating mount made of plastic

**Note:**

- When using retaining tabs with insulating mounts, the minimum installation height for the trunking is 45 mm.



Designation	PU	Order no.
Retaining tab made of steel, with insulating mount	1	<b>BKZHP00</b>

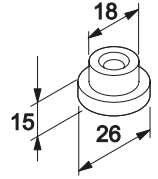


BKZNSD0

**Insulating mount for cross member**

**Properties:**

- Insulating mount for footfall sound-insulated mounting of set screws M8 in cross members
- The insulating mount increases the levelling height by 5 mm



Designation	PU	Order no.
Insulating mount for set screws	1	<b>BKZNSD0</b>



BKZSH20

**Suction lifter, max. load capacity 20 kg**

**Properties:**

- For lifting blank covers

Designation	PU	Order no.
Suction lifter for blank covers (max. weight 20 kg)	1	<b>BKZSH20</b>



BKZSH30

**Suction lifter, max. load capacity 30 kg**

**Properties:**

- For lifting blank covers

Designation	PU	Order no.
Suction lifter for blank covers (max. weight 30 kg)	1	<b>BKZSH30</b>



BKZKH30

**Claw lifter, max. load capacity 30 kg**

**Properties:**

- For lifting blank covers

Designation	PU	Order no.
Claw lifter for blank covers, max. 30 kg	1	<b>BKZKH30</b>



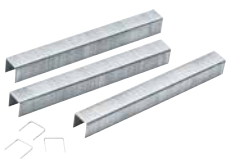
BKZHZ10

**Stapler**

**Properties:**

- Robust version for screed film formwork staples

Designation	PU	Order no.
Stapler for screed film staples	1	<b>BKZHZ10</b>



BKZHZ12

**Staples**

**Properties:**

- Staples for stapler BKZHZ10
- 1 piece = 5000 staples

Designation	PU	Order no.
Staples 12 mm for stapler BKZHZ10	1	<b>BKZHZ12</b>

tehalit.BKB is designed for installation along walls or window fronts for screed-flush floor installations. Installation with a closed upper part is also possible within a room. The trunking system comes with an upper part with a closed design, a brush and an LED chamber with brush.

#### Product features

- Suitable for dry-cleaned floors in accordance with DIN EN 50085
- Suitable for floor coverings with a thickness ranging from 5 to 25 mm
- The upper part can be covered with dry-cleaned floor coverings (carpet, parquet flooring, laminate,...) or with wet-cleaned floor coverings (natural stone, marble, tiles,...). Due to the open design, the trunking system is only suitable for dry-cleaned rooms.
- Floor covering is glued onto the cover
- Recommended minimum height of trunking = minimum screed height = 96 mm
- Do not forget the edge insulation strip between the trunking and the screed!
- It may be necessary to install sound insulation at the transition between office units (sound insulation barrier, product no. L5804, see catalogue 'Leitungsführung + Raumanschlusssysteme')
- A trunking firewall (BS90SET) must be installed when routing the trunking through fire safety walls
- Other trunking heights and widths available on request
- Height levelling via internally accessible adjustment screws
- Easy access to cables and sockets is provided via the removable upper part and via the cable outlet on the wall side on upper parts with a brush. Length of the upper parts: 1 m, length of the trunking bottom part: 2 m.
- Also available as closed trunking without a cable outlet for installation in areas that people walk in
- Withstands point loads of up to 150 kg (in accordance with the relevant standard)
- Separate delivery of the lower part (always with fitting frame) and 3 different upper parts (with brush, closed, with brush and LED compartment)

#### Advantages

- Investors can split investment requirements into separate construction and building equipment management phases.
- Users benefit from great application and upgrade flexibility with an almost invisible energy and data network infrastructure
- Simplified planning process through integration of group connection points or device installation
- Separate delivery of upper and lower parts – allowing basic installation in the preliminary building works phase and completion in the final construction phase
- Suitable upper parts can be used freely to match the final placement of furniture.
- Upper and lower parts are delivered separately, but the lower part is always supplied with a fitting frame to prevent the risk of personal injury during preliminary building works.
- Installation depends on the way the office space is divided up and used.
- Easy options for changing the energy and data network infrastructure once the system is in use.
- Removable covers offer access to the installation space.
- Can be combined with Hager system components
- Also suitable for use in the home for energy, media and data connection systems+

#### Device installation

- Group connection points for energy and data network
- All products from the installation device range, e. g.
  - Energy distribution
  - Sockets
  - Overvoltage protection
  - Network connections
  - Antenna sockets
- Also suitable for installation of Electraplan devices

#### Line occupancy (guide values)

- Compartment 1: 31 x ø11 mm; e. g. 3 x 1.5 mm<sup>2</sup>
- Compartment 2: 25 x ø11 mm; e. g. 3 x 1.5 mm<sup>2</sup>

#### Installation concept

##### Preliminary building works phase

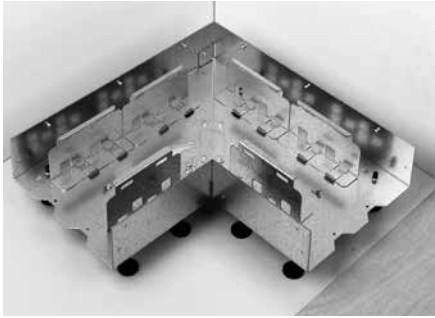
1. Installation of the tehalit.BKB system along outer walls or glass fronts in the screed flooring. If possible, a direct connection should be made between the tehalit.BKB system and the cable distribution room or the sub-distribution.
2. Basic installation of the energy and data network infrastructure in the tehalit.BKB system via group connection points. The distribution and number of group connection points depends on the required volume of equipment in the office space (at least 1 group connection point for every 20 to 40 m<sup>2</sup>).
3. Ensure the installation is compliant with the following standards by using group connection points or conventional connections:
  - Energy distribution systems: DIN VDE 0634 Part 1 and Part 2, DIN VDE 0100 (in particular Part 520), DIN VDE 0105,
  - Data network systems: Structured cabling in accordance with EN 50173-1, EN 50173-4, EN 50174-2

##### Final construction phase

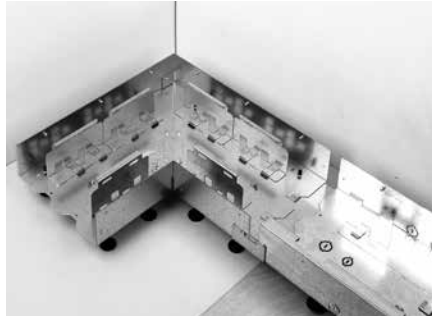
1. Individual installation only once the room layout and usage have been defined
2. Connection of consumers close to walls directly via the group connection points (no additional installation components required)
3. Connection of consumers out in the open using additional Hager system components
4. Pluggable connection systems for safe and reliable installations

##### Usage phase

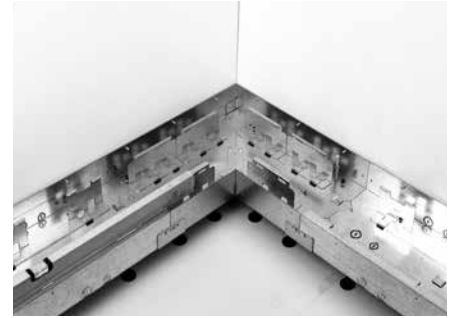
5. Flexible and quick changes can be made to the energy and data cabling if the room layout or usage change.
6. Optional installation of plinths



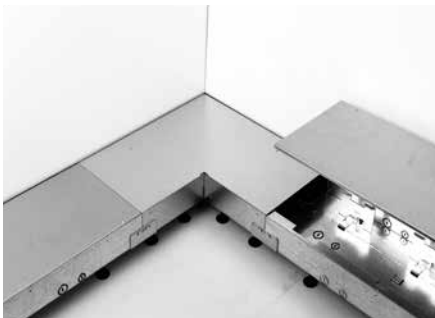
1. Screw in the set screws with or without insulating mounts.
2. Align the trunking lower part or inner/outer corner on the wall side.



3. Joints are connected via couplings. The ends of the trunking are sealed off with end pieces. No screed must be allowed to penetrate inside the trunking. A conductive connection is established between the coupling and the lower parts using the screws enclosed in the packaging of the coupling.



4. Levelling of the trunking. The trunking itself forms the binding setting edge for the screed, so the levelling process must be coordinated with the company laying the screed. Minimum recommendation: 4 levelling screws per running meter.



5. Secure the trunking on the bare floor using fastening screws. Minimum recommendation: 2 fastening screws per running meter.
6. Lay the fitting frame in position.



7. If necessary connect empty tubes; open the cut-outs beforehand with a slotted screwdriver. Empty pipes can be connected on four sides.



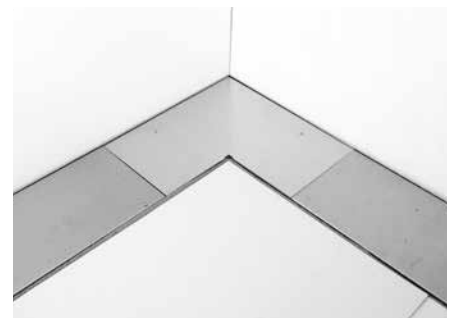
8. Screw in the fitting frame using the drilling screws enclosed with the trunking (in the attached foil packaging). These are screwed directly through the bores in the fitting frame into the support of the lower trunking part (without pre-drilling).



8. Attach the wall insulation strip on the side of the trunking facing the screed (make sure that no screed runs under the trunking). Special precautions must be taken when using floating screed, hot screed or aggressive screed. Depending on the floor covering (e. g. liquid material) it may be necessary to consult the manufacturer.



9. If necessary, support the side of the trunking facing the screed to prevent the side wall from bending under the pressure of the screed. The screed layer needs to work the screed cleanly and carefully up to the level of the top edge of the trunking. Make sure that no screed or parts of the floor covering (e. g. liquid material) can run into the trunking.



10. Screed installation

11. All metallic parts of the trunking system must be covered by VDE-compliant protection measures.
12. Application of the floor covering (0-25 mm).
13. Floor covering adjustment – version 1 with brush:  
The outlet brush supplied with the upper part is attached to the wall side of the trunking lower part and adjusted in the same way as the floor covering stop attached to the trunking lower part to the corresponding height of the floor covering by pushing it upward or downward, after which it is then tightened in place using a 3-mm Allen key (not included in the delivery package).
14. Floor covering adjustment – version 2 closed:  
The floor covering stop supplied with the upper part and the support for the upper part are attached to the wall side of the trunking lower part and adjusted in the same way as the floor covering stop attached to the trunking lower part to the corresponding height of the floor covering by pushing them upward or downward, after which they are then tightened in place using a 3-mm Allen key (not included in the delivery package).s Note: the “support rake” (system carrier) in the lower part needs to be moved to allow the upper part to fit.
15. Floor covering adjustment – version 2 with LED:  
The outlet brush supplied with the upper part is attached to the wall side of the trunking lower part and adjusted in the same way as the floor covering stop attached to the trunking lower part to the corresponding height of the floor covering by pushing it upward or downward, after which it is then tightened in place using a 3-mm Allen key (not included in the delivery package).  
Note: the “support rake” (system carrier) in the lower part needs to be moved to allow the upper part to fit correctly.

#### **Advantages of the tehalit.BKB system**

The balustrade floor trunking offers many advantages in day-to-day use: even in areas without walls, connections can be made available wherever they are required. The installation is concealed and therefore has no impact on the overall appearance of the office space. Excess connecting cable lengths or data network components can be easily hidden in the trunking, so there are no loose lines that get in the way in the room.

If you decide to change the way the office space is used at a later date, this is no problem thanks to the removable covers of the tehalit.BKB system, which offer easy access to lines, devices and group collection points. Retrofit installations are thus possible at any time. The selection of upper parts can be adapted at any time to meet the changing requirements of tenants or owners.



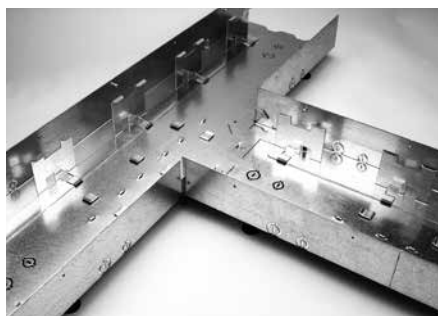
1. To produce the T-piece, you will only need the shaped part shown above and a jig saw to create the 250 mm cut-out in the trunking. **Caution! Before cutting out the marked cut-out, remove the support for the upper part and the floor stop rail.** These two parts are refitted after completion of the cut-out to ensure optimum support for the upper part and to achieve a clean transition to the floor covering.



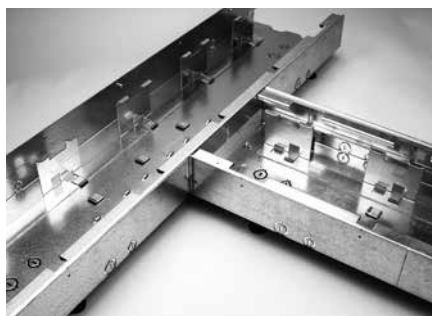
2. The tabs protruding flat to the rear are inserted into the trunking lower part that is to be connected and then screwed to the trunking using the enclosed self-tapping screws.



3. The tabs protruding to the sides are inserted into the trunking lower part that is to be branched off and screwed into the trunking with the enclosed drilling screws.



4. The trunking lower parts are aligned once the screws have been screwed in.



5. The stop profiles are then installed.



6. Installation of the fitting frame.



**Cable insulation**

For installation in walls and floors for fire resistance classification S90 in accordance with DIN4102.  
Building inspectorate approval: Approval no.: Z19.15-1256

**Min. firewall length 150 mm**

**Form of delivery:**

**BS90SET comprising of**

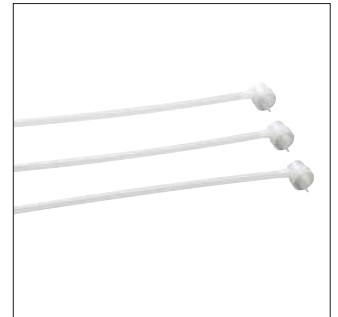
- 1 Fire protection foam can (BS90D)
- 1 Shaped part (BS90F)
- 1 Valve tongs (BS90Z)
- 3 Spray tubes with adapter (BS90S)
- 2 Identification signs
- 1 AbZ, approval no.: Z19.15-1256
- 1 Installation instructions

Yield: approx. 2,100 cm<sup>3</sup>



**BS90S**

3 Spray pipes with adapter



**BS90D**

- 1 Fire safety foam can  
(Only to be used in conjunction with valve tongs BS90Z and spray tubes BS90S)

Yield: approx. 900 cm<sup>3</sup>



**BS90Z**

1 Valve tongs



**BS90F**

- 1 Shaped part

Yield: approx. 1,200 cm<sup>3</sup>



2-component silicone fire protection foam S90  
Requirements calculation table for cable fire partitioning

Trunking type	Volume in cm <sup>3</sup>	Trunking without line occupancy	Trunking with maximum line occupancy
BKB25085	3.188	1.0 set + 1.0 socket	1.4 socket

Sound barrier

**Sound barrier L5804**

Maximum fill level of empty trunking

Trunking types	Pigtails
BKB25085	25

**Floor trunking**

Identifier	Type	Trunking width Nominal size	Levelling range
BK = floor trunking	X  F = with foil W = with trunking bottom  FD = with foil and sealing option WD = with trunking bottom and sealing option	Y  150 200 250 300 350 400 500 600	Z  (foil) 045 = 45 - 70 mm 065 = 65 - 110 mm 105 = 105 - 150 mm 145 = 145 - 190 mm  (trunking bottom) 040 = 40 - 60 mm 050 = 50 - 70 mm 060 = 60 - 100 mm 070 = 70 - 110 mm 080 = 80 - 120 mm 090 = 90 - 130 mm

**Floor trunking sealing end piece**

Identifier	Type	Type	Trunking width Nominal size	Levelling range
BK = floor trunking	W  F = with foil W = with trunking bottom  FD = with foil and sealing option WD = with trunking bottom and sealing option	X  V = sealing piece E = end piece	Y  150 200 250 300 350 400 500 600	Z  (trunking bottom) 040 = 40 - 60 mm 050 = 50 - 70 mm 060 = 60 - 100 mm 070 = 70 - 110 mm 080 = 80 - 120 mm 090 = 90 - 130 mm

**Floor trunking covers**

Identifier	Type	with sealing option	Trunking width Nominal size	Type of blanking
BK = floor trunking	W  A = cover	X  = standard (without sealing tape) D = for sealing tape	Y  150 200 250 300 350 400 500 600	Z  = without blanking GBZ = blanking GBZ round 50 mm R06 = blanking R06 round 215 mm R10 = blanking R10 round 275 mm R12 = blanking R12 round 306 mm Q06 = blanking Q06 200 x 200 mm Q08 = blanking Q08 294 x 294 mm Q12 = blanking Q12 244 x 244 mm E04 = blanking E04 147 x 247 mm E09 = blanking E09 200 x 253 mm

**Floor trunking cross members**

Identifier	Type	with sealing option	Trunking width Nominal size
BK = floor trunking	X  T = cross member TM = cross member with centre support	Y  N = standard (without sealing strip) D = for sealing tape	Z  150 200 250 300 350 400 500 600

### Floor trunking junction boxes

Identifier	Type	Type of blanking
BK = floor trunking	Y SA = side junction box	Z B00 = without blanking G00 = blanking GBZ round 50 mm R06 = blanking R06 round 215 mm R10 = blanking R10 round 275 mm R12 = blanking R12 round 306 mm Q06 = blanking Q06 200 x 200 mm Q08 = blanking Q08 294 x 294 mm Q12 = blanking Q12 244 x 244 mm E04 = blanking E04 147 x 247 mm E09 = blanking E09 200 x 253 mm

### Floor trunking junction boxes – levelling set

Identifier	Type	Addition	Levelling range
BK = floor trunking	X SA = side Junction box	Y N = levelling set	Z 045070 = 45 - 70 mm 065110 = 65 - 110 mm 105150 = 105 - 150 mm 145190 = 145 - 190 mm

### Floor trunking partition walls

Identifier	Type	Material	Nominal height
BK = floor trunking	X TW = partition wall	Y K = plastic - PS F00 = plastic foot S = steel panel	Z (plastic) 16 = 16 mm – for trunking height 30 mm 31 = 31 mm – for trunking height 45 mm 46 = 46 mm – for trunking height 60 mm 61 = 61 mm – for trunking height 75mm 76 = 76 mm – for trunking height 90 - 100 mm 91 = 91 mm – for trunking height 105 - 120 mm  (sheet metal) 20 = 20 mm – for trunking height 45 mm 35 = 35 mm – for trunking height 60 mm 50 = 50 mm – for trunking height 75 mm 65 = 65 mm – for trunking height 90 mm 80 = 80 mm – for trunking height 100 mm 95 = 95 mm – for trunking height 105 mm 110 = 110 mm – for trunking height 120 mm

### Floor trunking accessories

Identifier	Type	Type	Colour/angle/height/length
BK = floor trunking	X Z = accessories	Y SA = earth connection SAK00 = earth conductor clamp M = sponge rubber strips  BSK = abutting edge for covering  BSA = butt joint cover EA00 = screed anchor VS = connection set KV = trunking connector  N = levelling clamp  NS = set screw KM = lock nut HP00 = retaining tab NSD0 = soundproofing mount for set screws SH = suction lifter  KH = claw lifter	Z 200 = length 200 mm  203 = 20 x 3 mm  7011 = RAL 7011, iron grey 9005 = RAL 9005, deep black  7011 = RAL 7011, iron grey  90 = angled, 90 degrees 180 = straight, 180 degrees 090 = angled, 90 degrees 030 = from trunking height 30 050 = from trunking height 50 25 - 160 = levelling height 80 = for M8  20 = load-bearing capacity up to 20 kg 30 = load-bearing capacity up to 30 kg 30 = load-bearing capacity up to 30 kg

### General description

The screed-flush trunking system offers covers that can be opened continuously along the full length of the trunking. The screed is installed flush to the top of the trunking. The height of the complete screed-flush trunking system can be adjusted via a stepless adjustment. Once fully installed, the trunking covers can be opened at any time. This means that it is no problem at all to install cables or lines at a later date. It is also possible to fit installation units or pedestal boxes through the installation openings in the trunking covers. When using trunking junction boxes, this system offers the advantage that smaller trunking cross-sections can be chosen as the entire interior of the trunking is available for lines to be inserted. Screed-flush trunking is available for dry and wet-cleaned floors with a flexible foil casing or with a sheet metal bottom. Factory-fitted footfall sound insulation and

the freedom to use any preferred floor covering means that this system also meets the highest requirements in terms of flexibility.

This height-adjustable system is perfect for all applications in which the final installation details are not yet clear or in which the highest possible degree of flexibility is to be retained. Thanks to their width of up to 600 mm, these trunkings are used where a high number of lines is required. This screed-flush trunking is used in production halls with bare floors as well as in office and administration buildings where the floor coverings are glued onto the trunking covers. Due to its low height, the trunking system can be installed in screeds with very low profiles starting from 40 mm.

### BKF trunking with foil casing for dry-cleaned floors



#### Properties:

- Suitable for dry-cleaned floors
- Easy and flexible installation
- Flexibility to other areas of installation, e.g. transverse heating pipes or ducts
- Entire internal space is available to hold lines

### BKF trunking with trunking bottom for dry-cleaned floors



#### Properties:

- Suitable for dry-cleaned floors
- Easy access to the lines
- Clean installation is possible, lines are protected against dust and dirt

**BKFD trunking with foil casing and sealing option**



**Properties:**

- Suitable for wet-cleaned floors
- Easy and flexible installation
- Flexibility to other areas of installation,  
e.g. transverse heating pipes or ducts
- Entire internal space is available to hold lines

**BKWD trunking with trunking bottom and sealing option**



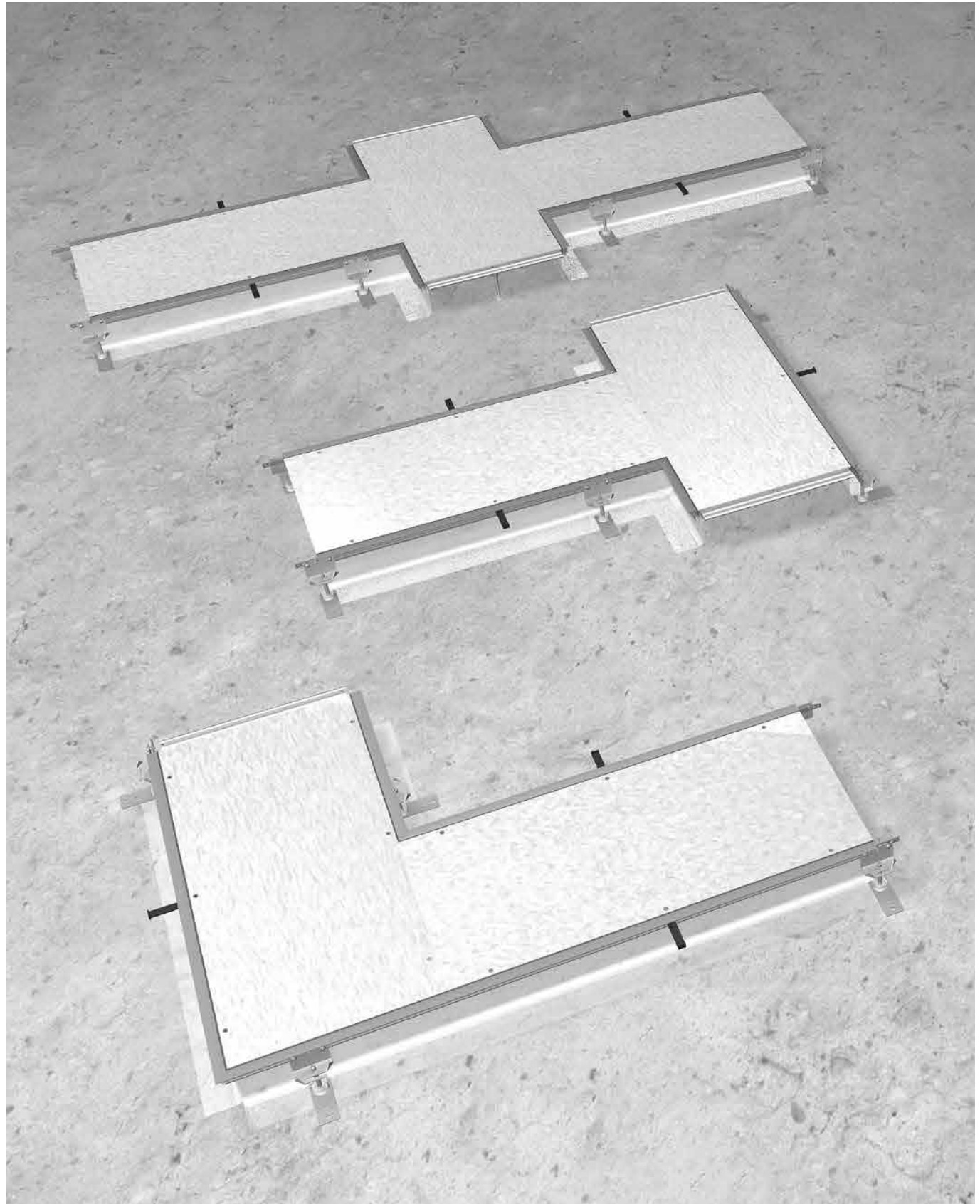
**Properties:**

- Suitable for wet-cleaned floors
- Easy access to the lines
- Clean installation is possible, lines are protected against  
dust and dirt

**Available on request.**

Ready-assembled shaped parts are available on request.

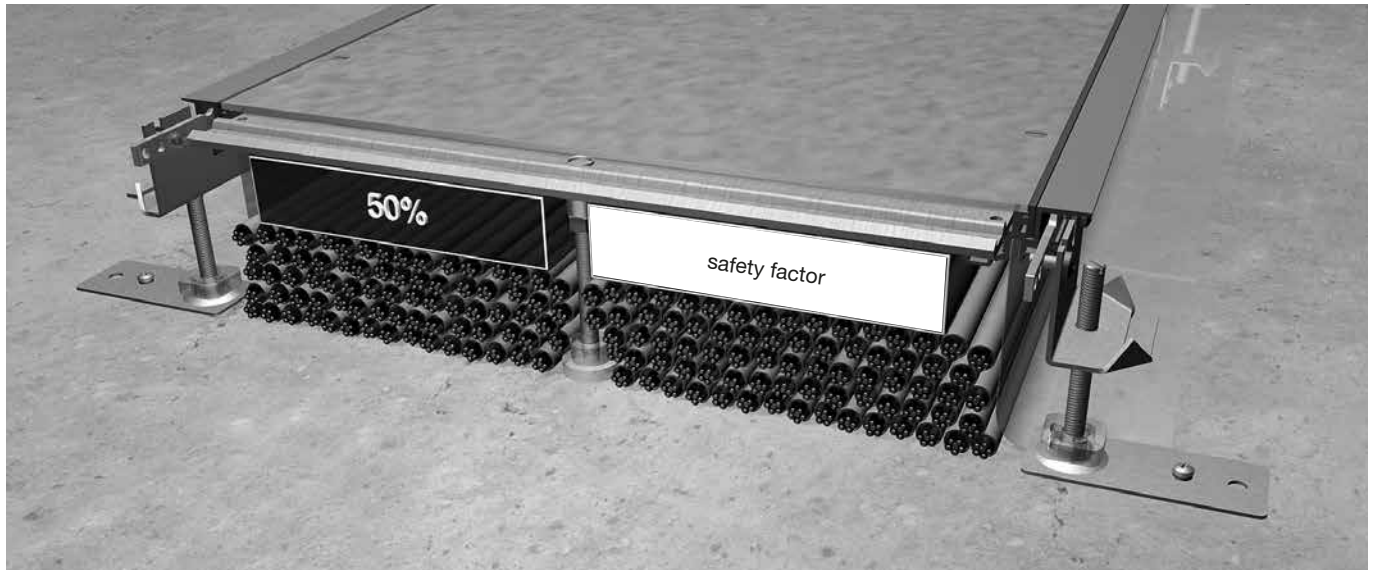
They can be assembled with the standard trunking on-site following the building-block principle. The different sizes can be fed off from the standard trunking. Shaped parts are supplied with factory-fitted levelling clamps. Footfall sound insulation and set screws are included in the accessories package.



**Determining the line volume**

The line volume must be known in order to define the correct trunking size. In practice, lines never run perfectly in parallel and side-by-side in a way that would ensure maximum space utilisation. This is why the formula  $(d)^2$ , i.e. the diameter squared, must be applied.

This is why the formula  $(d)^2$ , i.e. the diameter squared, must be applied. To ensure sufficient space for possible later retrofitting, trunking ducts should only be filled to 50% of their volume. This also makes it easier to pull the lines into the trunking. Also, it must be noted that the calculation does not take into account bottom troughs and outlets that possibly interrupt the line path.



tehalit.BKB

Order number	Height max. mm	Usable cross-section cm <sup>2</sup>	Line diameter in mm																
			5	6	7	8	9	10	11	12	13	14	15	16	17	18	19	20	
BKF150045	70	77	154	106	78	60	47	38	31	26	22	19	17	15	13	11	10	9	
BKF150065	110	121	242	168	123	94	74	60	50	42	35	30	26	23	20	18	16	15	
BKF150105	150	165	330	229	168	128	101	82	68	57	48	42	36	32	28	25	22	20	
BKF150145	190	209	418	290	213	163	129	104	86	72	61	53	46	40	36	32	28	26	
BKF200045	70	112	224	155	114	87	69	56	46	38	33	28	24	21	19	17	15	14	
BKF200065	110	176	352	244	179	137	108	88	72	61	52	44	39	34	30	27	24	22	
BKF200105	150	240	480	333	244	187	148	120	99	83	71	61	53	46	41	37	33	30	
BKF200145	190	304	608	422	310	237	187	152	125	105	89	77	67	59	52	46	42	38	
BKF250045	70	147	294	204	150	114	90	73	60	51	43	37	32	28	25	22	20	18	
BKF250065	110	231	462	320	235	180	142	115	95	80	68	58	51	45	39	35	31	28	
BKF250105	150	315	630	437	321	246	194	157	130	109	93	80	70	61	54	48	43	39	
BKF250145	190	399	798	554	407	311	246	199	164	138	118	101	88	77	69	61	55	49	
BKF300045	70	182	364	252	185	142	112	91	75	63	53	46	40	35	31	28	25	22	
BKF300065	110	286	572	397	291	223	176	143	118	99	84	72	63	55	49	44	39	35	
BKF300105	150	390	780	541	397	304	240	195	161	135	115	99	86	76	67	60	54	48	
BKF300145	190	494	988	686	504	385	304	247	204	171	146	126	109	96	85	76	68	61	
BKF350045	70	217	434	301	221	169	133	108	89	75	64	55	48	42	37	33	30	27	
BKF350065	110	341	682	473	347	266	210	170	140	118	100	86	75	66	58	52	47	42	
BKF350105	150	465	930	645	474	363	287	232	192	161	137	118	103	90	80	71	64	58	
BKF350145	190	589	1178	818	601	460	363	294	243	204	174	150	130	115	101	90	81	73	
BKF400045	70	252	504	350	257	196	155	126	104	87	74	64	56	49	43	38	34	31	
BKF400065	110	396	792	550	404	309	244	198	163	137	117	101	88	77	68	61	54	49	
BKF400105	150	540	1080	750	551	421	333	270	223	187	159	137	120	105	93	83	74	67	
BKF400145	190	684	1368	950	697	534	422	342	282	237	202	174	152	133	118	105	94	85	
BKF500045	70	322	644	447	328	251	198	161	133	111	95	82	71	62	55	49	44	40	
BKF500065	110	506	1012	702	516	395	312	253	209	175	149	129	112	98	87	78	70	63	
BKF500105	150	690	1380	958	704	539	425	345	285	239	204	176	153	134	119	106	95	86	
BKF500145	190	874	1748	1213	891	682	539	437	361	303	258	222	194	170	151	134	121	109	
BKF600045	70	392	784	544	400	306	241	196	161	136	115	100	87	76	67	60	54	49	
BKF600065	110	616	1232	855	628	481	380	308	254	213	182	157	136	120	106	95	85	77	
BKF600105	150	840	1680	1166	857	656	518	420	347	291	248	214	186	164	145	129	116	105	
BKF600145	190	1064	2128	1477	1085	831	656	532	439	369	314	271	236	207	184	164	147	133	



Order number	Height max. mm	Usable cross-section cm <sup>2</sup>	Line diameter in mm																
			5	6	7	8	9	10	11	12	13	14	15	16	17	18	19	20	
BKW150040	28	37.5	75	52	38	29	23	18	15	13	11	9	8	7	6	5	5	4	
BKW150050	38	50.9	101	70	51	39	31	25	21	17	15	12	11	9	8	7	7	6	
BKW150060	48	64.3	128	89	65	50	39	32	26	22	19	16	14	12	11	9	8	8	
BKW150070	58	77.7	155	107	79	60	47	38	32	26	22	19	17	15	13	11	10	9	
BKW200060	48	88.3	176	122	90	69	54	44	36	30	26	22	19	17	15	13	12	11	
BKW200070	58	106.7	213	148	108	83	65	53	44	37	31	27	23	20	18	16	14	13	
BKW200080	68	125.1	250	173	127	97	77	62	51	43	37	31	27	24	21	19	17	15	
BKW200090	78	143.5	287	199	146	112	88	71	59	49	42	36	31	28	24	22	19	17	
BKW250060	48	112.3	224	156	114	87	69	56	46	39	33	28	24	21	19	17	15	14	
BKW250070	58	135.7	271	188	138	106	83	67	56	47	40	34	30	26	23	20	18	16	
BKW250080	68	159.1	318	221	162	124	98	79	65	55	47	40	35	31	27	24	22	19	
BKW250090	78	182.5	365	253	186	142	112	91	75	63	54	46	40	35	31	28	25	22	
BKW300060	48	136.3	272	189	139	106	84	68	56	47	40	34	30	26	23	21	18	17	
BKW300070	58	164.7	329	228	168	128	101	82	68	57	48	42	36	32	28	25	22	20	
BKW300080	68	193.1	386	268	197	150	119	96	79	67	57	49	42	37	33	29	26	24	
BKW300090	78	221.5	443	307	226	173	136	110	91	76	65	56	49	43	38	34	30	27	
BKW350060	48	160.3	320	222	163	125	98	80	66	55	47	40	35	31	27	24	22	20	
BKW350070	58	193.7	387	269	197	151	119	96	80	67	57	49	43	37	33	29	26	24	
BKW350080	68	227.1	454	315	231	177	140	113	93	78	67	57	50	44	39	35	31	28	
BKW350090	78	260.5	521	361	265	203	160	130	107	90	77	66	57	50	45	40	36	32	
BKW400060	48	184.3	368	256	188	144	113	92	76	64	54	47	40	36	31	28	25	23	
BKW400070	58	222.7	445	309	227	174	137	111	92	77	65	56	49	43	38	34	30	27	
BKW400080	68	261.1	522	362	266	204	161	130	107	90	77	66	58	51	45	40	36	32	
BKW400090	78	299.5	599	416	305	234	184	149	123	104	88	76	66	58	51	46	41	37	
BKW500060	48	232.3	464	322	237	181	143	116	96	80	68	59	51	45	40	35	32	29	
BKW500070	58	280.7	561	389	286	219	173	140	116	97	83	71	62	54	48	43	38	35	
BKW500080	68	329.1	658	457	335	257	203	164	136	114	97	83	73	64	56	50	45	41	
BKW500090	78	377.5	755	524	385	294	233	188	156	131	111	96	83	73	65	58	52	47	
BKW600060	48	280.3	560	389	286	219	173	140	115	97	82	71	62	54	48	43	38	35	
BKW600070	58	338.7	677	470	345	264	209	169	139	117	100	86	75	66	58	52	46	42	
BKW600080	68	397.1	794	551	405	310	245	198	164	137	117	101	88	77	68	61	55	49	
BKW600090	78	455.5	911	632	464	355	281	227	188	158	134	116	101	88	78	70	63	56	



**General instructions:**

**DIN standard**

System components must be included in the earthing measures in accordance with DIN VDE 0100.

**Support**

If trunking bottoms are used, they must be supported from below to prevent deformation.

**Sealing**

Gaps must be sealed against screed ingress.

The flexible screed casing must not have any contact with hot screed.

**Protection**

Protective measures must be coordinated with the screed layer.

**No load**

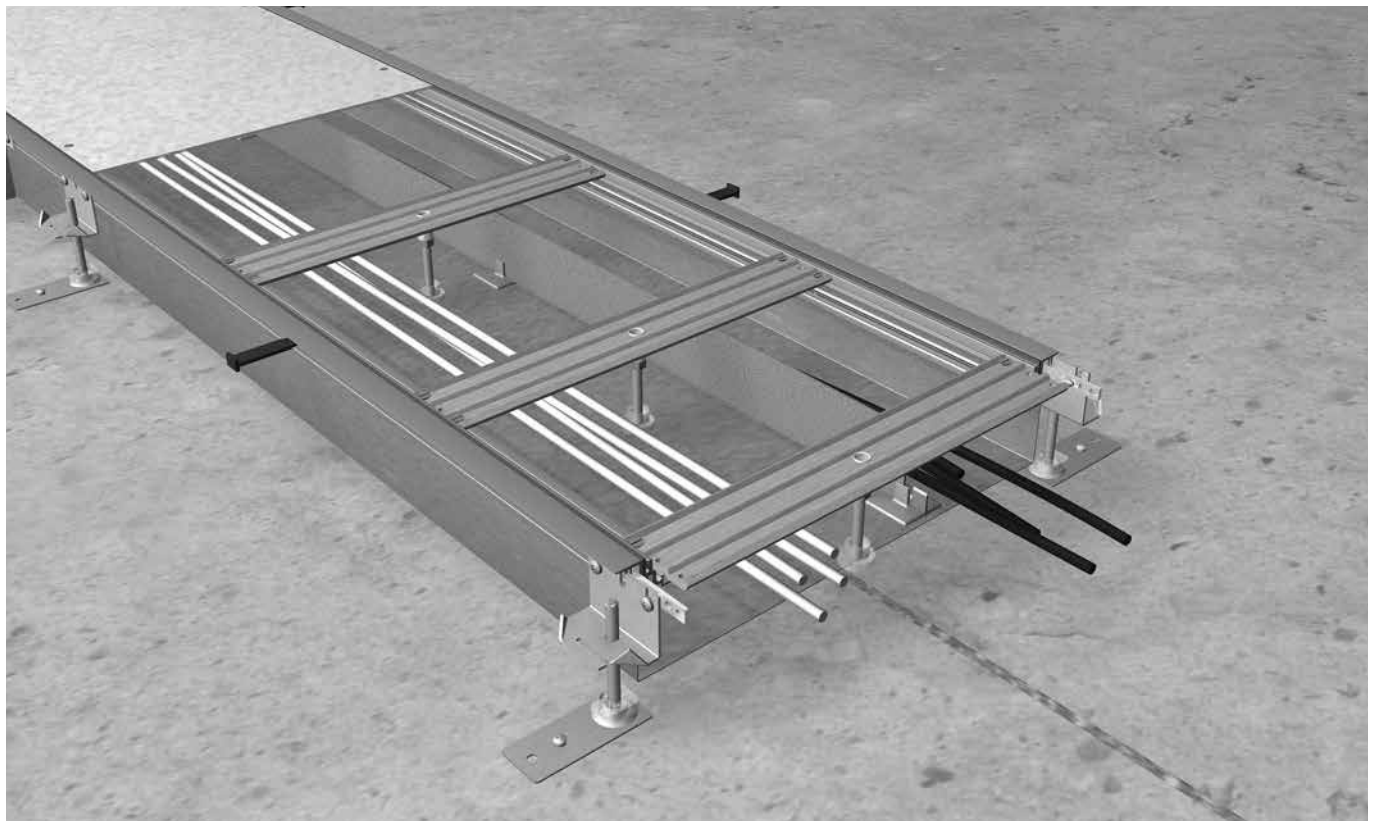
Do not remove the cross members and do not impose any mechanical loads or walk on the trunking system before the screed has hardened.

**Protective covers**

Protective covers of service outlets must not be removed until right before flooring installation.

**Further instructions**

Ensure that the installation instructions for the screed layers and the flooring fitters are observed and that they are passed on to the contractors responsible before laying the flooring.

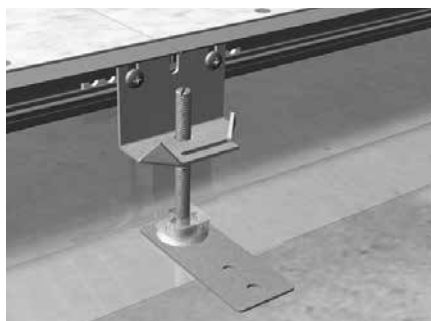


**Mark the trunking routing**



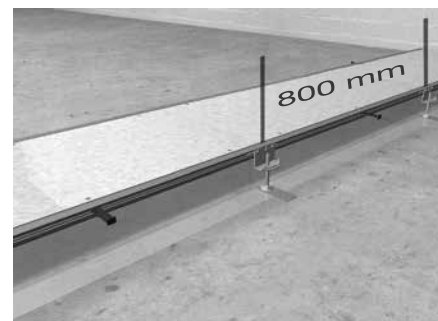
Mark the trunking routing on the slab according to the installation plan using chalk or string. Check the actual levelling heights on the slab.

**Assemble the levelling sets**



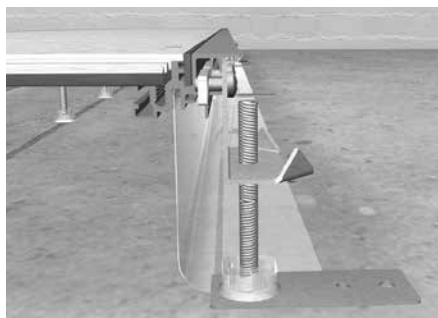
Install the M8 set screws into the levelling clamps. Place brackets with insulating mounts on a level and firm surface and push in the set screws.

**Position the levelling sets**



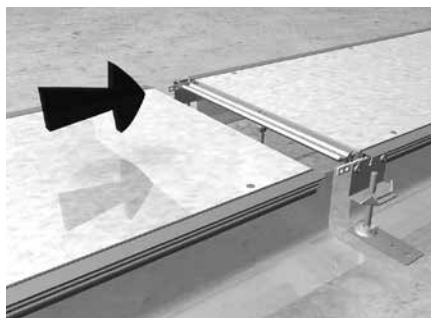
The levelling clamps should be spaced at 800 mm along the trunking lateral profile. Roughly adjust the levelling height.

**Adjust the screed casing**



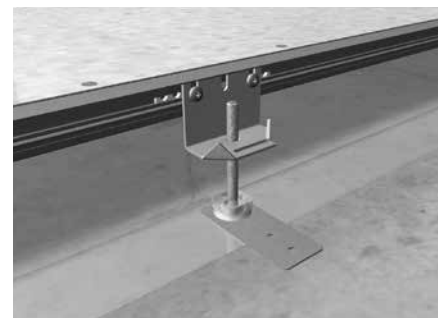
The screed casing must be outside the trunking, extending from the trunking lateral profile downward and vertically outward onto the slab. The retaining tabs rest on the horizontal part of the casing, pressing it onto the slab.

**Join the trunking sections**



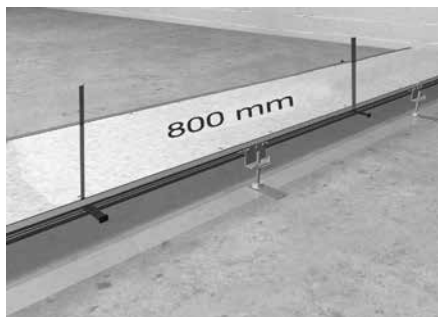
At the joints of the trunking sections, push the pre-assembled cross members halfway under the cover of the subsequent trunking section. At this section, slacken the cover screw and butt-join the sections.

**Secure the trunking sections**



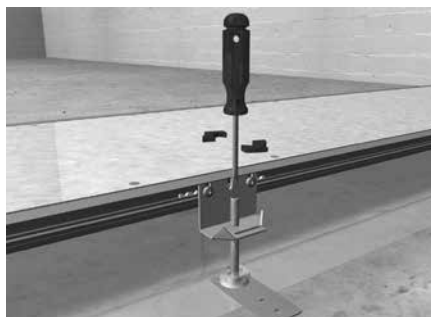
Connect the sections using trunking connector, levelling clamp and M5 bolts. Tighten the cover screws. The flexible screed casing must overlap at the section joint.

**Snap in the screed anchor**



Snap the screed anchor into the profile groove to stabilise the trunking lateral profiles. The spacing along the lateral profiles must not exceed 800 mm.

**Level the trunking**



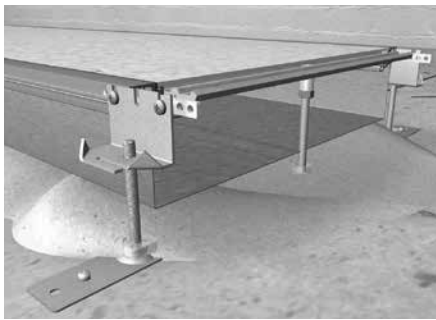
Adjust the top edge of the trunking lateral profile to the required height.

**Secure the retaining tabs**



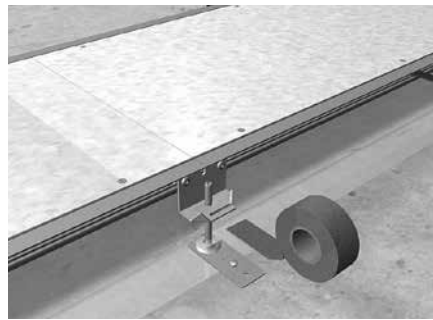
Plug the retaining tabs to the slab.

**Support the trunking bottom**



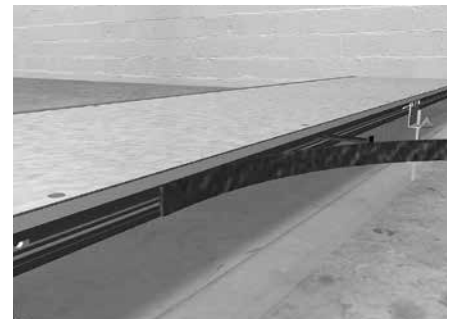
If using trunking bottoms, use underlays. Ensure that the screed installer is explicitly informed of this measure. If cross members with levelling support are used, the trunking bottom must be perforated on site so that the set screw firmly sits on the slab!

**Seal the joints**



Carefully seal the joints of the trunking system against screed ingress.

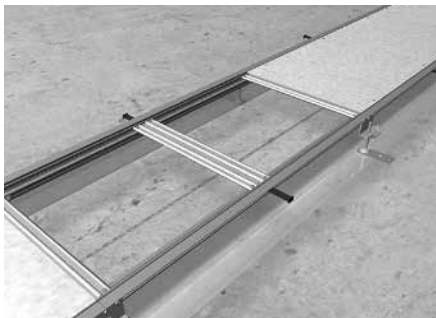
**Screed expansion**



Screed may expand while hardening, causing it to push against the trunking. The pressure is determined by the size of the screed slab and its composition. Sponge rubber strips may be attached to the profile to reduce pressure. Please consult the screed layer.

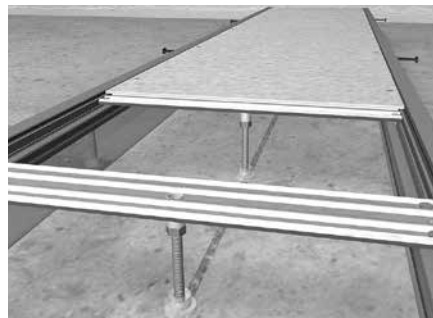
tehalit.BKB

**Position the cross members**



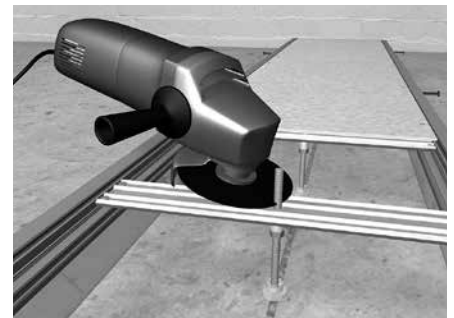
Each cover butt joint must be supported by a cross member. From trunking nominal widths greater than 300 mm, covers must be additionally supported between the joints. The cross members must be equally spaced.

**Cross members with threaded sleeve**



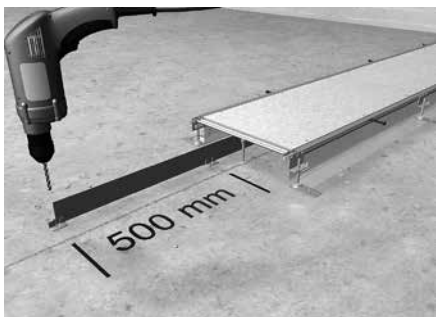
Install the set screw in the threaded sleeve. Install lock nut BKZKM80 and insulating mount BKZNSD0 to the set screw. Slightly tension the cross member against the slab using the set screw. Secure the set screw using lock nut BKZKM80 below the levelling sleeve.

**Shorten set screws**



If required, trim the set screws so that they are flush with the top edge of the cross member.

**Trunking partition wall BKTWK**



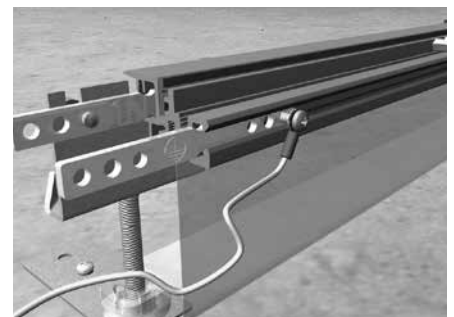
Plug the feet of trunking partition wall BKTWK at a spacing of 500 mm to the slab. Push the partition wall into the feet.

**Trunking partition wall BKTWS**



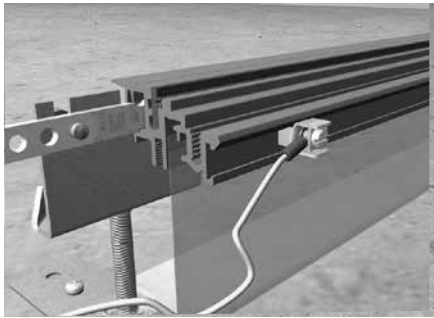
Plug partition wall BKTWS directly to the slab. Bores in the separating walls must be created on site. Connect the separating wall to ground using the tap-on grounding clamps provided.

**Earthing measure for trunking BKF**



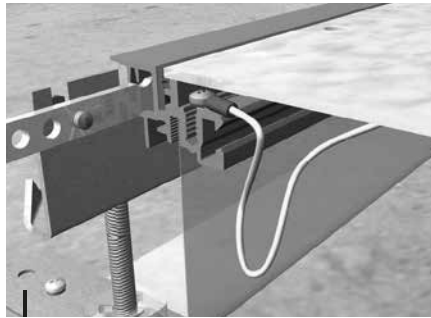
During installation of trunking, push connector from the side into inner profile slot. Remove blank cover from trunking and tighten the screw at the connector. Connect the earth conductor cable to the earthing measure using an end sleeve (available as option).

#### Earthing measures for trunking BKFD



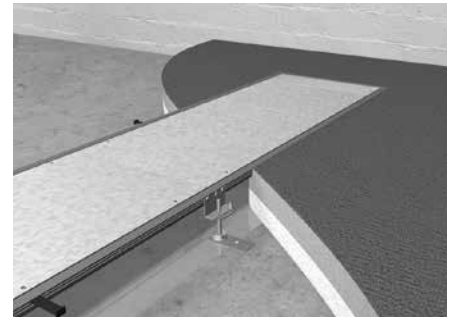
During installation of trunkings, push the connector clamps (available as option) from the side into the inner profile slot. Remove blank cover from trunking and tighten bolt M3 at the connector clamp. Connect the earth conductor cable connector clamp to the earthing measure.

#### Blank cover with cover snap fastener



The earth conductor cable (available as option) is welded to the blank cover with cover snap at the factory. After installation, remove the blank covers from the trunking and secure the earth conductor cable of the blank cover to the profile using the eyelet.

#### Lay the screed



Install the screed up to the top edge of the trunking profiles. Blank covers can be fitted with flooring using adhesive.

#### Install installation units



Installation units such as Service units or floor-mounting pedestal boxes can be installed in the trunking. This requires replacing the blank cover by an installation cover with a corresponding opening.

**General instructions:**

**Seal**

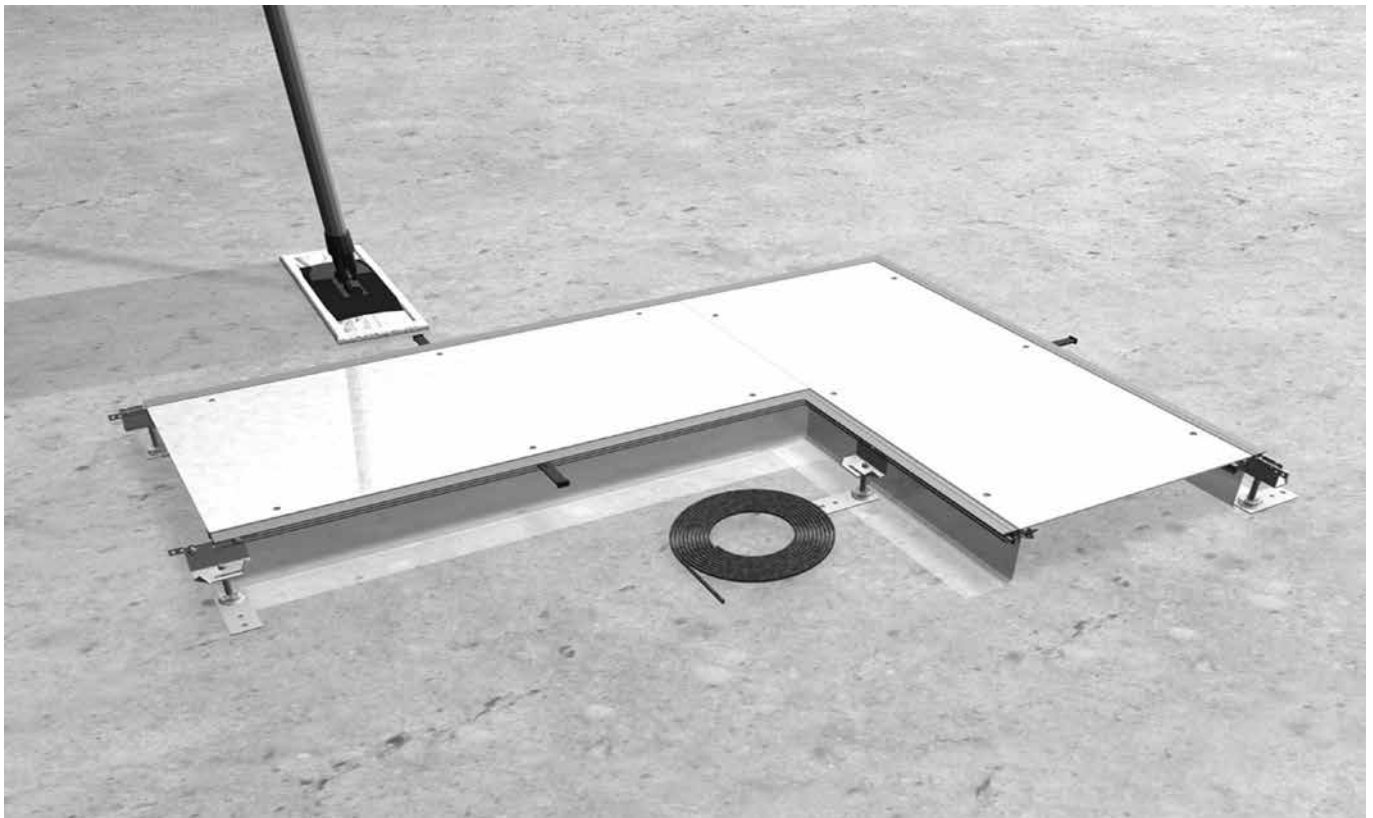
The seal is made of compressed cellular rubber with wax-plastic water-proofing.

**Properties**

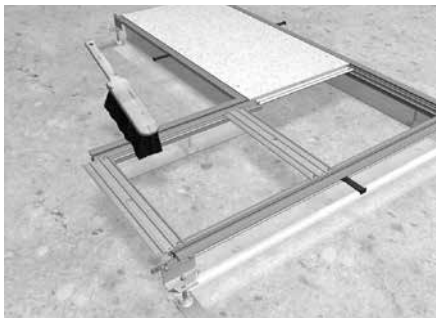
After unrolling, the material takes some time to expand, thereby pressing itself between trunking cover and lateral profile.

**Storage**

The sealing tape may only be processed at room temperatures between 15 °C and 25 °C.  
Before installation, the sealing tape must have been stored at room temperature for at least 24 hours.

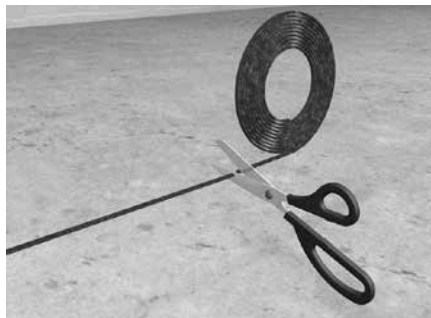


**Preparation**



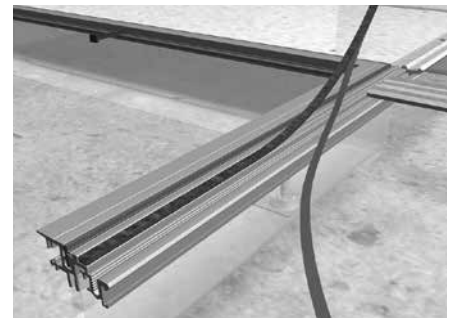
Before installing the sealing tape, open the trunking system and clean it on the inside and outside. The slot holding the sealing tape must be free of dust and grease. Do not open the trunking system before the screed has fully hardened.

**Cut off sealing tape**



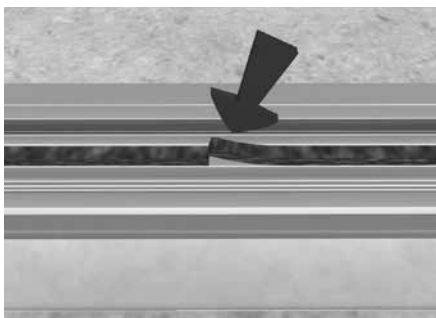
Cut off the required length.

**Attach adhesive sealing tape**



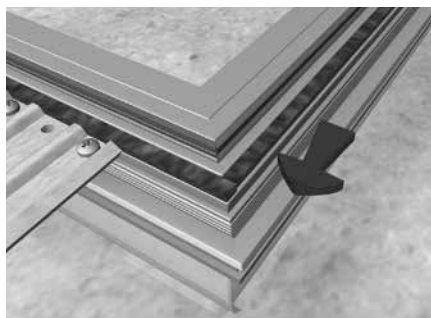
Peel off the backing paper over a length of approx. 20 - 30 cm. Place the sealing tape into the slot in the lateral profile and press it in lightly.

**Sealing tape joints**



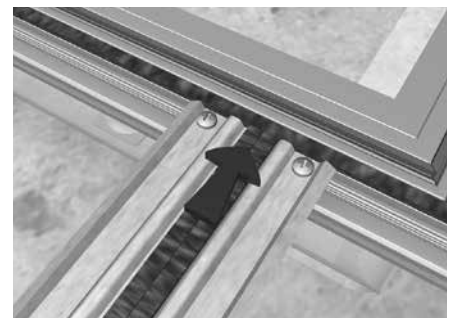
At the joints, the sealing tape ends must join exactly and with slight pressure. Do not cut them at an angle and do not let them overlap.

**Sealing corners**



Never bend the sealing tape around a corner without cutting it. As with the joints, join the ends with slight pressure.

**Cross members**



Install two sealing strips in the centre of the cross member. Install their ends as with the 90° corner. Install sealing tape only at the cross members supporting cover joints.

**General instructions:****Lateral attachment**

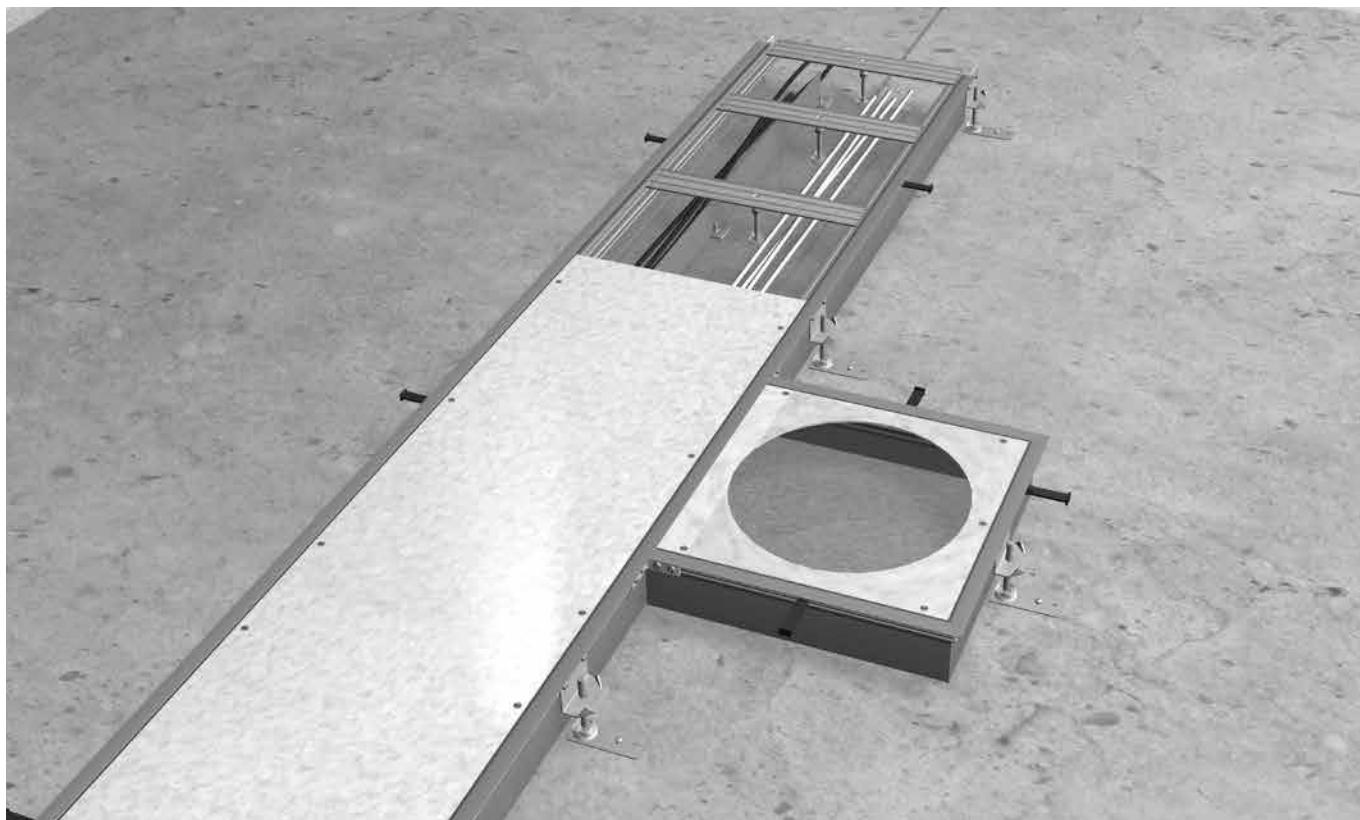
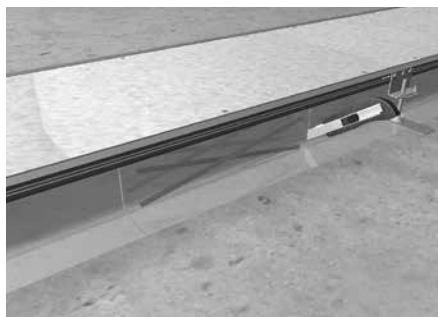
Connection socket BKSA can be installed to the side of trunking BKF / BKFD to allow installation of flush-floor or pedestal installation units via an installation opening.

**Larger cross-section**

Sockets eliminate the reduction of the cross-section in the trunking immanent with direct installation of installation units in the trunking.

**Accessories**

Installation requires one levelling clamp of the existing trunking and one levelling set BKSAN.

**Cut out the screed casing**

Cut out the screed casing on the side so that the connection socket can be attached.

**Prepare the levelling set**

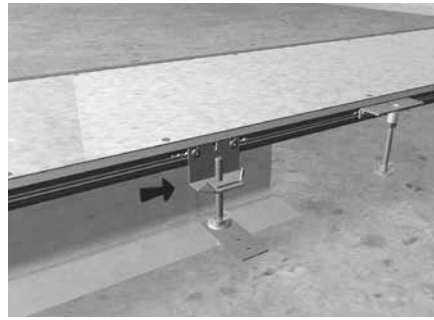
Install nut BKZKM80 and insulating mount BKZNSD0 to the set screw. Install set screw into support bracket.

**Attach the levelling set**



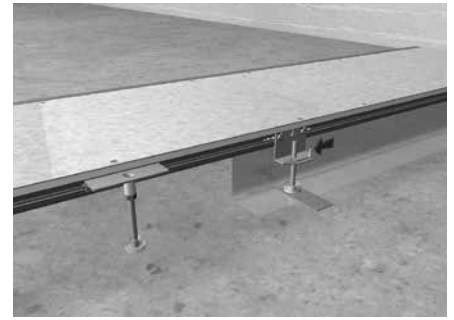
Secure the support bracket to the trunking lateral profile using a trunking connector. Tighten the set screws against the slab. Secure the set screw by tightening lock nut BKZKM80 from below against the threaded sleeve. If required, cut off the set screw so that it is flush with the top edge of the support bracket.

**Install the levelling set**



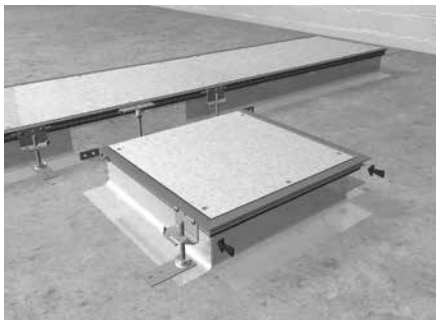
Insert the trunking connector into the outer slot of the lateral profile. Install set screw BKZNS into the levelling clamp. Install the retaining tab with insulating mount BKZHP00.

**Slide the levelling set into position**



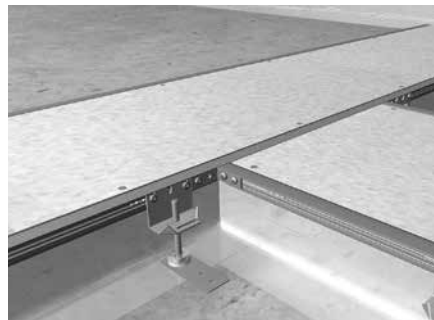
Disconnect the existing levelling clamp at the trunking from the connector. Slide both parts to the installation position of the socket to be installed.

**Install the levelling set**



Engage the trunking connector in the outer slot of the connecting socket. Screw the levelling clamp to the slot of the connecting socket using a trunking connector. Install the set screw BKZNS into the levelling clamp. Install the retaining tab with insulating mount BKZHP00.

**Attach the connecting socket**



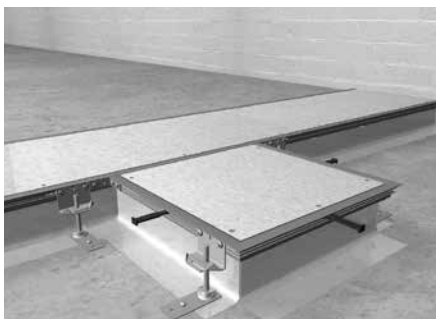
Connect the connecting socket to the trunking lateral profile. Install the angled connection, tighten the screws. The screed casing must be on the outside.

**Plug the retaining tabs**



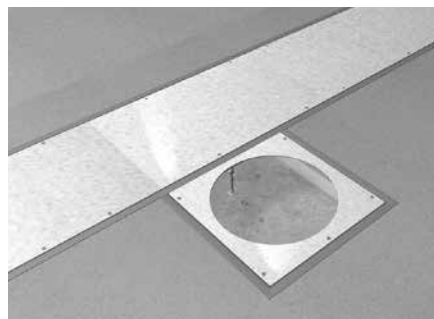
Plug the retaining tabs to the slab.

**Engage the screed anchor**



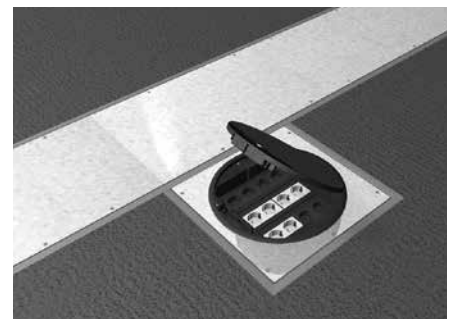
Engage the screed anchor into the profile of the connecting socket.

**Lay the screed**



Once the screed is installed, the adhesive protective cover can be removed.

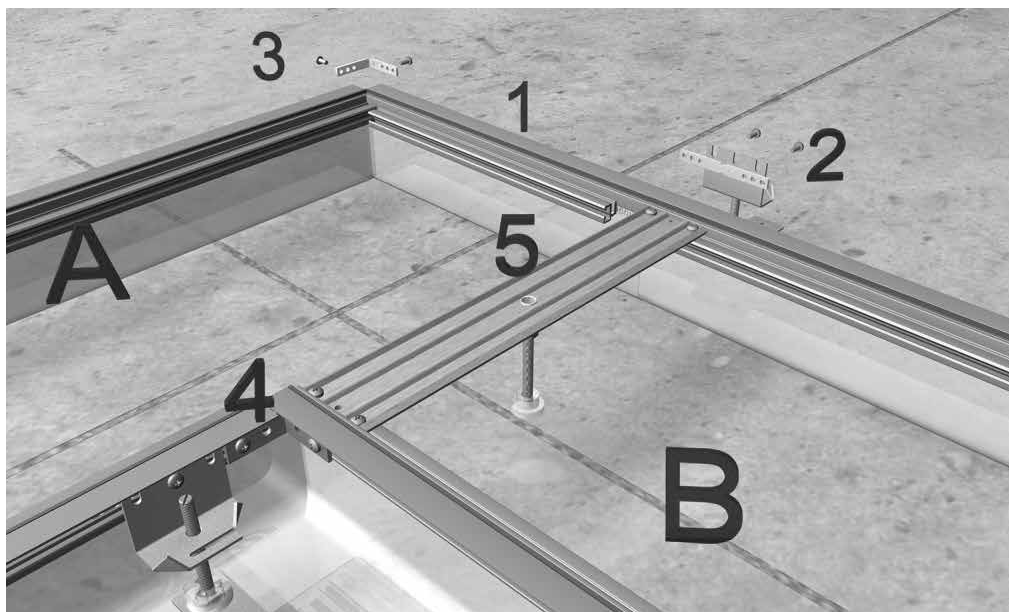
**Insert the service unit**



Insert the service unit into the opening and secure it. Due to the connection socket, the entire cross-section of the main trunking is maintained.



**90° angle branch made by customer**



Please order the following additional parts:  
 1 x connection set BKZVS90  
 1 x end piece BKFV

tehalit.BKB

Shorten trunking section A on one side by the width dimension (trunking - 20 mm). Attach end piece (1) with levelling clamp and trunking connector (2) to trunking section B. Attach trunking section A and end piece at the outer corner of the angled connectors (3).

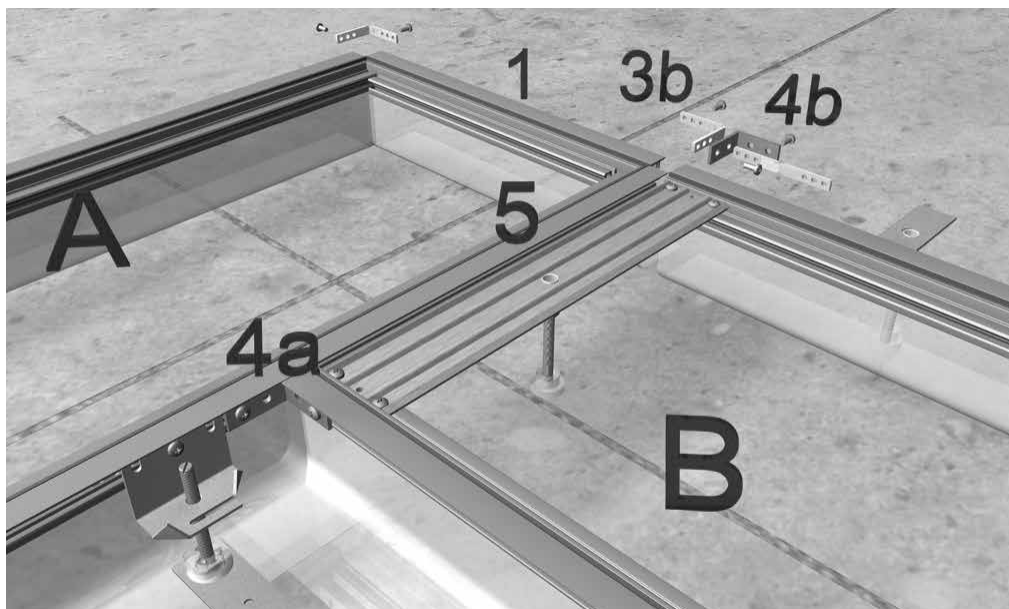
Join the trunking sections at the inner corner using the angled connector (4) and secure them. Attach the cross member (5) to the trunking lateral profile of trunking section B.

The cross member must support the covers of trunking sections A

and B. Cross members installed in trunking sections wider than 350 mm must be fitted with the levelling support.

Locate the levelling brackets at an even spacing of max. 800 mm and secure them to the trunking using connectors.

**90° angle branch made by the customer for installation heights greater than 40 mm**



Please order the following additional parts:  
 1 x connection set BKZVS90  
 1 x end piece BKFV

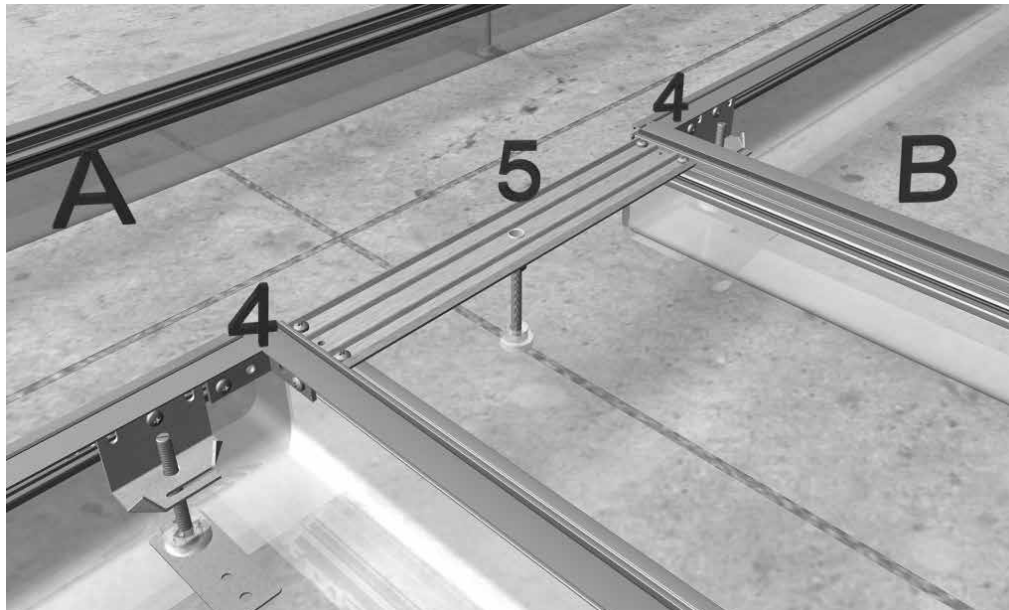
Cut out the screed casing at the branch-out. Attach the angled piece (4b) to the angle connector (3b) and attach the end piece (1) to trunking end A using the M5 bolt. Connect trunking section A and B using the angled connector (4a, 4b).

Attach the cross member (5) to the trunking lateral profile of trunking section (B). The cross member must support the cover of trunking section B. Cross members installed in trunking sections wider than 350 mm must be fitted with the levelling support.

Locate the levelling brackets at an even spacing of max. 800 mm and secure them to the trunking using connecting pieces.

**As an alternative, the shaped parts can be ordered as pre-assembled units!**

**T-branch made by the customer**



Please order the following additional parts:  
1 x connection set BKZVS90

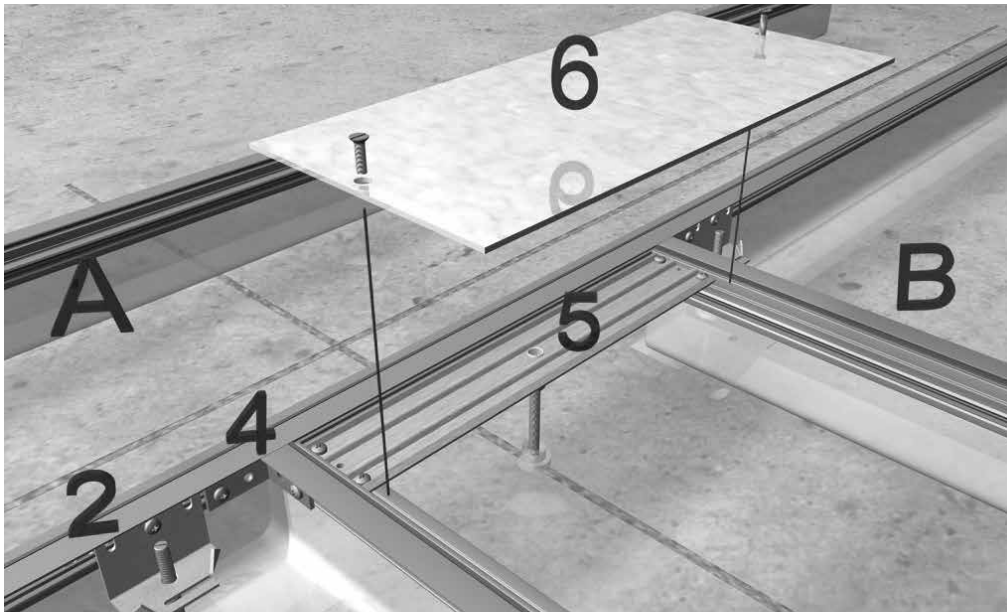
Create a cut-out on one side of the trunking section A that fits the width of the branched-out trunking section B. Insert the branched-out trunking section B into the cut-out. Join both trunking sections using an angled connector (4).

Attach the cross member (5) to the trunking lateral profile of trunking section B. The cross member must support the covers of trunking sections A and B. Cross members installed in trunking sections wider than 350 mm must be fitted with the levelling support.

Locate the levelling brackets at an even spacing of max. 800 mm and secure them to the trunking using connectors.

**T-branch made by the customer for installation heights greater than 40 mm**

**T-branch made by the customer for installation heights greater than 40 mm**



Please order the following additional parts:  
1 x connection set BKZVS90

Locate branched-out trunking section B at section A and connect them using an angled connector (4). Attach the cross member (5) to the trunking lateral profile of trunking section B. The cross member must support the cover

joint of trunking section B. Cross members installed in trunking sections wider than 350 mm must be fitted with the levelling support. Locate the levelling brackets at an even spacing of max. 800 mm and secure them to the trunking

using connecting pieces. Recommendation: Firmly bolt a short piece of blank cover (6) to trunking section B. If no blank cover (6) is used, then the flooring may not adhere reliably to the lateral profile of trunking section A in the area of the branch-out.

**As an alternative, the shaped parts can be ordered as pre-assembled units!**

# On-the-floor trunking system

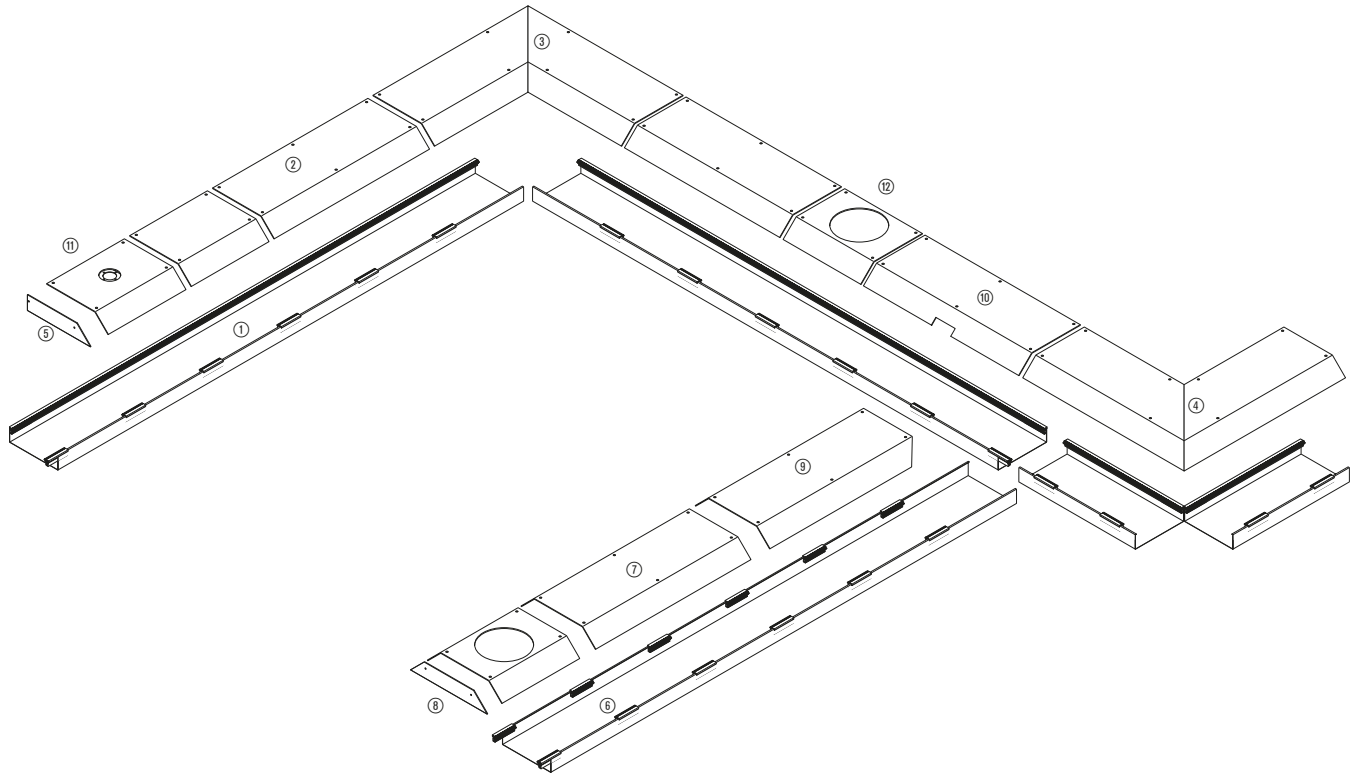
## electraplan.AK | On-the-floor trunking

electraplan.AK  
On-the-floor  
trunking

The robust retrofit solution electraplan.AK on-the-floor trunking for retrospective installation on finished floors is the ideal solution for renovation, redevelopment and modernisation. The preassembled moulded parts enable quick and simple modular assembly on the construction site and, because electraplan.AK allows the position of the individual covers with their insert openings to be changed as and when required, it is also extremely flexible with regard to future changes. Further advantage: The three-millimetre thick blank covers, made of galvanised sheet steel in accordance with DIN EN 10327, make the system extremely stable and also enable it to withstand high loads. In addition, a large number of other on-the-floor trunking parts made of plastic and aluminium are available in cases where it is possible to safely run smaller numbers of lines.



electraplan.AK	
System overview	108
<hr/>	
Trunking overview	109
<hr/>	
On the floor trunking system single sided, height 40 mm	110
<hr/>	
On the floor trunking system single sided, height 70 mm	112
<hr/>	
On the floor trunking system double sided, height 40 mm	114
<hr/>	
On the floor trunking system double sided, height 70 mm	116
<hr/>	
Covers with installation opening	118
<hr/>	
Accessories	120
<hr/>	
On-the-floor trunking, Aluminium On-the-floor trunking, PVC	122
<hr/>	
Order number composition	124
<hr/>	
Technical Information	125
<hr/>	



### electraplan.AK

- ① Lower part, single-sided
- ② Blank cover, single-sided
- ③ Inner corner, single-sided
- ④ Outer corner, single-sided
- ⑤ End piece, single-sided
- ⑥ Lower part, double-sided
- ⑦ Blank cover, double-sided
- ⑧ End cap, double-sided
- ⑨ Blank cover 45° junction
- ⑩ Connection
- ⑪ Cover with installation opening GBZ
- ⑫ Cover with installation opening R10

Trunking lower part	Trunking width mm	Trunking height mm	Type	Usable cross-section cm <sup>2</sup>	Max. line configuration Ø 11 mm Filling factor 0.5	Page
AKU1500401	150	40	single sided	60	24	107
AKU2000401	200	40	single sided	80	33	107
AKU2500401	250	40	single sided	100	41	107
AKU3000401	300	40	single sided	120	49	107
AKU1500701	150	70	single sided	105	43	107
AKU2000701	200	70	single sided	140	57	107
AKU2500701	250	70	single sided	175	72	107
AKU3000701	300	70	single sided	210	86	107
AKU3500701	350	70	single sided	245	101	107
AKU4000701	400	70	single sided	280	115	107
AKU1500402	150	40	double sided	60	24	107
AKU2000402	200	40	double sided	80	33	107
AKU2500402	250	40	double sided	100	41	107
AKU3000402	300	40	double sided	120	49	107
AKU1500702	150	70	double sided	105	43	107
AKU2000702	200	70	double sided	140	57	107
AKU2500702	250	70	double sided	175	72	107
AKU3000702	300	70	double sided	210	86	107
AKU3500702	350	70	double sided	245	101	107
AKU4000702	400	70	double sided	280	115	107

electraplan.AK  
On-the-floor  
trunking

- Trunking for laying on the existing floor in dry rooms with dry-cleaned floors
- For guiding electrical lines
- For fitting with installation units protruding above the floor
- Lower part, height 40 mm
- Side profile: Extruded aluminium profile, 1 x 2400 mm, 6 x 100 mm long
- Delivery time approx. 5 working days.

- With rigidly inserted steel sheet partition walls on request

**Form of delivery**

Order lower part, blank cover, separately

**Supplied lengths**

Lower part: 2400 mm  
Blank cover: 400 / 800 mm

**Material**

Lower part:  
1 mm galvanised steel sheet, Galvanised in accordance with DIN NF EN 10327-1  
Blank cover:  
3 mm galvanised steel sheet, Galvanised in accordance with DIN NF EN 10327-1

electraplan.AK  
On-the-floor  
trunking

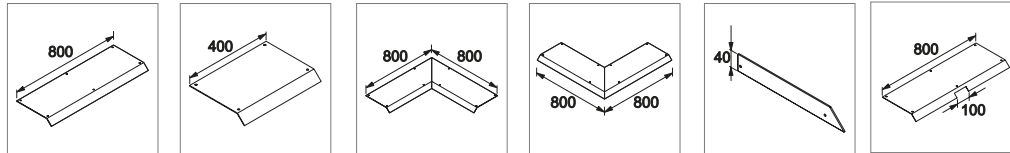


	Lower part	Trunking height
	Steel sheet	[mm]
<p><b>AKU1500401</b></p>	<p><b>AKU1500401</b> PU 24 m</p>	40
<p><b>AKU2000401</b></p>	<p><b>AKU2000401</b> PU 24 m</p>	40
<p><b>AKU2500401</b></p>	<p><b>AKU2500401</b> PU 24 m</p>	40
<p><b>AKU3000401</b></p>	<p><b>AKU3000401</b> PU 24 m</p>	40



**Note**

- Screws, dowels and other materials for installing the on-the-floor trunking system are not included in the scope of delivery.
- Holes are not countersunk
- Countersinking of attachment holes for individual configurations with flooring, available on request



**Blank cover**  
Length 800 mm  
Steel sheet

**Blank cover**  
Length 400 mm  
Steel sheet

**Inner corner**  
Steel sheet

**Outer corner**  
Steel sheet

**End piece**  
Steel sheet

**Connection**  
Length 800 mm  
Steel sheet

**AKB81500401**  
PU 1 pc

**AKB41500401**  
PU 1 pc

**AKBI1500401**  
PU 1 pc

**AKBA1500401**  
PU 1 pc

**AKE1500401**  
PU 1 pc

**AKBAS1500401**  
PU 1 pc

**AKB82000401**  
PU 1 pc

**AKB42000401**  
PU 1 pc

**AKBI2000401**  
PU 1 pc

**AKBA2000401**  
PU 1 pc

**AKE2000401**  
PU 1 pc

**AKBAS2000401**  
PU 1 pc

**AKB82500401**  
PU 1 pc

**AKB42500401**  
PU 1 pc

**AKBI2500401**  
PU 1 pc

**AKBA2500401**  
PU 1 pc

**AKE2500401**  
PU 1 pc

**AKBAS2500401**  
PU 1 pc

**AKB83000401**  
PU 1 pc

**AKB43000401**  
PU 1 pc

**AKBI3000401**  
PU 1 pc

**AKBA3000401**  
PU 1 pc

**AKE3000401**  
PU 1 pc

**AKBAS3000401**  
PU 1 pc

- Trunking for laying on the existing floor in dry rooms with dry-cleaned floors
- For guiding electrical lines
- For fitting with floor-level units or units protruding above the floor
- Lower part, height 70 mm
- Side profile: Extruded aluminium profile, 1 x 2400 mm, 6 x 100 mm long

- Delivery time approx. 5 working days.- With rigidly inserted steel sheet partition walls on request

**Form of delivery**

Lower part, Blank cover separat bestellen

**Supplied lengths**

Lower part: 2400 mm

Blank cover: 400 / 800 mm

**Material**

Lower part:  
1 mm galvanised steel sheet,  
Galvanised in accordance with  
DIN NF EN 10327-1

Blank cover:  
3 mm galvanised steel sheet,  
Galvanised in accordance with  
DIN NF EN 10327-1

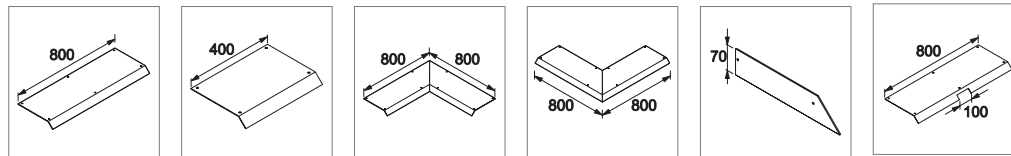
electraplan.AK  
On-the-floor  
trunking



	Lower part	Trunking height
	Steel sheet	[mm]
<p><b>AKU1500701</b></p>	<p><b>AKU1500701</b> PU 24 m</p>	70
<p><b>AKU2000701</b></p>	<p><b>AKU2000701</b> PU 24 m</p>	70
<p><b>AKU2500701</b></p>	<p><b>AKU2500701</b> PU 24 m</p>	70
<p><b>AKU3000701</b></p>	<p><b>AKU3000701</b> PU 24 m</p>	70
<p><b>AKU3500701</b></p>	<p><b>AKU3500701</b> PU 24 m</p>	70
<p><b>AKU4000701</b></p>	<p><b>AKU4000701</b> PU 24 m</p>	70

**Note**

- Screws, dowels and other materials for installing the on-the-floor trunking system are not included in the scope of delivery.
- Holes are not countersunk.
- Countersinking of attachment holes for individual configurations with flooring, available on request



**Blank cover**  
Length 800 mm  
Steel sheet

**Blank cover**  
Length 400 mm  
Steel sheet

**Inner corner**  
Steel sheet

**Outer corner**  
Steel sheet

**End piece**  
Steel sheet

**Connection**  
Length 800 mm  
Steel sheet

**AKB81500701**  
PU 1 pc

**AKB41500701**  
PU 1 pc

**AKBI1500701**  
PU 1 pc

**AKBA1500701**  
PU 1 pc

**AKE1500701**  
PU 1 pc

**AKBAS1500701**  
PU 1 pc

**AKB82000701**  
PU 1 pc

**AKB42000701**  
PU 1 pc

**AKBI2000701**  
PU 1 pc

**AKBA2000701**  
PU 1 pc

**AKE2000701**  
PU 1 pc

**AKBAS2000701**  
PU 1 pc

**AKB82500701**  
PU 1 pc

**AKB42500701**  
PU 1 pc

**AKBI2500701**  
PU 1 pc

**AKBA2500701**  
PU 1 pc

**AKE2500701**  
PU 1 pc

**AKBAS2500701**  
PU 1 pc

**AKB83000701**  
PU 1 pc

**AKB43000701**  
PU 1 pc

**AKBI3000701**  
PU 1 pc

**AKBA3000701**  
PU 1 pc

**AKE3000701**  
PU 1 pc

**AKBAS3000701**  
PU 1 pc

**AKB83500701**  
PU 1 pc

**AKB43500701**  
PU 1 pc

**AKBI3500701**  
PU 1 pc

**AKBA3500701**  
PU 1 pc

**AKE3500701**  
PU 1 pc

**AKBAS3500701**  
PU 1 pc

**AKB84000701**  
PU 1 pc

**AKB44000701**  
PU 1 pc

**AKBI4000701**  
PU 1 pc

**AKBA4000701**  
PU 1 pc

**AKE4000701**  
PU 1 pc

**AKBAS4000701**  
PU 1 pc

- Trunking for laying on the existing floor in dry rooms with dry-cleaned floors
- For guiding electrical lines
- For fitting with installation units protruding above the floor
- Lower part, height 40 mm
- Side profile: Extruded aluminium profile, 12 x 100 mm long- Delivery time approx. 5 working days.

- With rigidly inserted steel sheet partition walls on request

**Form of delivery**

Order lower part, blank cover, separately

**Supplied lengths**

Lower part: 2400 mm  
Blank cover: 400 / 800 mm

**Material**

Lower part:  
1 mm galvanised steel sheet, Galvanised in accordance with DIN NF EN 10327-1  
Blank cover:  
3 mm galvanised steel sheet, Galvanised in accordance with DIN NF EN 10327-1

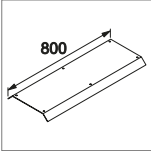
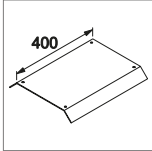
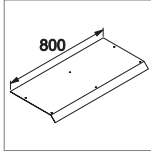
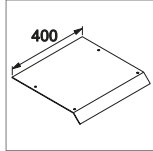
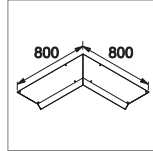
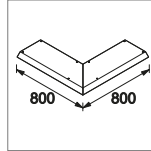
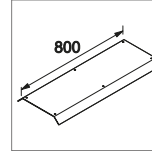
electraplan.AK  
On-the-floor  
trunking



	Lower part	Trunking height
	Steel sheet	[mm]
<p><b>AKU1500402</b></p>	<p><b>AKU1500402</b> PU 24 m</p>	40
<p><b>AKU2000402</b></p>	<p><b>AKU2000402</b> PU 24 m</p>	40
<p><b>AKU2500402</b></p>	<p><b>AKU2500402</b> PU 24 m</p>	40
<p><b>AKU3000402</b></p>	<p><b>AKU3000402</b> PU 24 m</p>	40

**Note**

- Screws, dowels and other materials for installing the on-the-floor trunking system are not included in the scope of delivery.
  - Holes are not countersunk.
  - Countersinking of attachment holes for individual configurations with flooring, available on request
  - The term upper part extended 100 mm means 100 mm width overhang.
- The cover is used, for example, for heating pipes laid in the floor area.

							
<b>Blank cover</b> Length 800 mm Steel sheet	<b>Blank cover</b> Length 400 mm Steel sheet	<b>Blank cover</b> 800 mm - extended 100 Steel sheet	<b>Blank cover</b> 400 mm -extended 100 Steel sheet	<b>Inner corner</b> Extended 100 mm Steel sheet	<b>Outer corner</b> Extended 100 mm Steel sheet	<b>End piece</b> Steel sheet	<b>45°Abzweig</b> Length 800 mm Steel sheet
<b>AKB81500402</b> PU 1 pc	<b>AKB41500402</b> PU 1 pc	<b>AKB81500401V</b> PU 1 pc	<b>AKB41500401V</b> PU 1 pc	<b>AKBI1500401V</b> PU 1 pc	<b>AKBA1500401V</b> PU 1 pc	<b>AKE1500402</b> PU 1 pc	<b>AKBAZ1500402</b> PU 1 pc
<b>AKB82000402</b> PU 1 pc	<b>AKB42000402</b> PU 1 pc	<b>AKB82000401V</b> PU 1 pc	<b>AKB42000401V</b> PU 1 pc	<b>AKBI2000401V</b> PU 1 pc	<b>AKBA2000401V</b> PU 1 pc	<b>AKE2000402</b> PU 1 pc	<b>AKBAZ2000402</b> PU 1 pc
<b>AKB82500402</b> PU 1 pc	<b>AKB42500402</b> PU 1 pc	<b>AKB82500401V</b> PU 1 pc	<b>AKB42500401V</b> PU 1 pc	<b>AKBI2500401V</b> PU 1 pc	<b>AKBA2500401V</b> PU 1 pc	<b>AKE2500402</b> PU 1 pc	<b>AKBAZ2500402</b> PU 1 pc
<b>AKB83000402</b> PU 1 pc	<b>AKB43000402</b> PU 1 pc	<b>AKB83000401V</b> PU 1 pc	<b>AKB43000401V</b> PU 1 pc	<b>AKBI3000401V</b> PU 1 pc	<b>AKBA3000401V</b> PU 1 pc	<b>AKE3000402</b> PU 1 pc	<b>AKBAZ3000402</b> PU 1 pc

electraplan.AK  
On-the-floor  
trunking

- Trunking for laying on the existing floor in dry rooms with dry-cleaned floors
- For guiding electrical lines
- For fitting with floor-level units or units protruding above the floor
- Lower part, height 70 mm
- Side profile: Extruded aluminium profile, 12 x 100 mm long
- Delivery time approx. 5 working days.

- With rigidly inserted steel sheet partition walls on request

**Form of delivery**

Order lower part, blank cover, separately

**Supplied lengths**

Lower part: 2400 mm  
Blank cover: 400 / 800 mm

**Material**

Lower part:  
1 mm galvanised steel sheet, Galvanised in accordance with DIN NF EN 10327-1  
Blank cover:  
3 mm galvanised steel sheet, Galvanised in accordance with DIN NF EN 10327-1

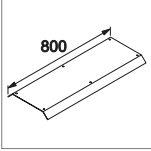
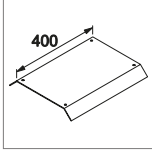
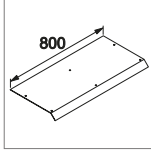
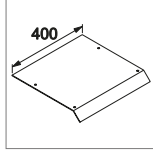
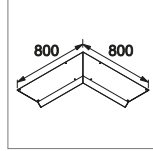
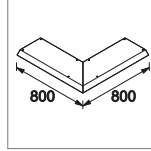
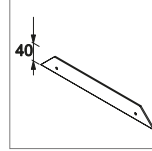
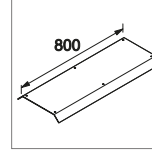
electraplan.AK  
On-the-floor  
trunking



	Lower part	Trunking height
	Steel sheet	[mm]
<p><b>AKU1500702</b></p>	<p><b>AKU1500702</b> PU 24 m</p>	70
<p><b>AKU2000702</b></p>	<p><b>AKU2000702</b> PU 24 m</p>	70
<p><b>AKU2500702</b></p>	<p><b>AKU2500702</b> PU 24 m</p>	70
<p><b>AKU3000702</b></p>	<p><b>AKU3000702</b> PU 24 m</p>	70
<p><b>AKU3500702</b></p>	<p><b>AKU3500702</b> PU 24 m</p>	70
<p><b>AKU4000702</b></p>	<p><b>AKU4000702</b> PU 24 m</p>	70

**Note**

- Screws, dowels and other materials for installing the on-the-floor trunking system are not included in the scope of delivery.
  - Holes are not countersunk.
  - Countersinking of attachment holes for individual configurations with flooring, available on request
  - The term upper part extended 100 mm means 100 mm width overhang.
- The cover is used, for example, for heating pipes laid in the floor area.

							
<b>Blank cover</b> Length 800 mm Steel sheet	<b>Blank cover</b> Length 400 mm Steel sheet	<b>Blank cover</b> 800 mm - extended 100 Steel sheet	<b>Blank cover</b> 400 mm - extended 100 Steel sheet	<b>Inner corner</b> Extended 100 mm Steel sheet	<b>Outer corner</b> Extended 100 mm Steel sheet	<b>End piece</b> Steel sheet	<b>45° Abzweig</b> Length 800 mm Steel sheet
<b>AKB81500702</b> PU 1 pc	<b>AKB41500702</b> PU 1 pc	<b>AKB81500701V</b> PU 1 pc	<b>AKB41500701V</b> PU 1 pc	<b>AKBI1500701V</b> PU 1 pc	<b>AKBA1500701V</b> PU 1 pc	<b>AKE1500702</b> PU 1 pc	<b>AKBAZ1500702</b> PU 1 pc
<b>AKB82000702</b> PU 1 pc	<b>AKB42000702</b> PU 1 pc	<b>AKB82000701V</b> PU 1 pc	<b>AKB42000701V</b> PU 1 pc	<b>AKBI2000701V</b> PU 1 pc	<b>AKBA2000701V</b> PU 1 pc	<b>AKE2000702</b> PU 1 pc	<b>AKBAZ2000702</b> PU 1 pc
<b>AKB82500702</b> PU 1 pc	<b>AKB42500702</b> PU 1 pc	<b>AKB82500701V</b> PU 1 pc	<b>AKB42500701V</b> PU 1 pc	<b>AKBI2500701V</b> PU 1 pc	<b>AKBA2500701V</b> PU 1 pc	<b>AKE2500702</b> PU 1 pc	<b>AKBAZ2500702</b> PU 1 pc
<b>AKB83000702</b> PU 1 pc	<b>AKB43000702</b> PU 1 pc	<b>AKB83000701V</b> PU 1 pc	<b>AKB43000701V</b> PU 1 pc	<b>AKBI3000701V</b> PU 1 pc	<b>AKBA3000701V</b> PU 1 pc	<b>AKE3000702</b> PU 1 pc	<b>AKBAZ3000702</b> PU 1 pc
<b>AKB83500702</b> PU 1 pc	<b>AKB43500702</b> PU 1 pc	<b>AKB83500701V</b> PU 1 pc	<b>AKB43500701V</b> PU 1 pc	<b>AKBI3500701V</b> PU 1 pc	<b>AKBA3500701V</b> PU 1 pc	<b>AKE3500702</b> PU 1 pc	<b>AKBAZ3500702</b> PU 1 pc
<b>AKB84000702</b> PU 1 pc	<b>AKB44000702</b> PU 1 pc	<b>AKB84000701V</b> PU 1 pc	<b>AKB44000701V</b> PU 1 pc	<b>AKBI4000701V</b> PU 1 pc	<b>AKBA4000701V</b> PU 1 pc	<b>AKE4000702</b> PU 1 pc	<b>AKBAZ4000702</b> PU 1 pc

electraplan.AK  
On-the-floor  
trunking

- Covers with installation opening for one-sided trunking, height 70 mm
  - Installation openings for units flush to the floor and protruding above the floor, as factory-fitted blanking in the blank cover
  - The opening is sealed with a protection cover
  - Other versions on request
- Note**
- The length of the cover with installation opening is 400 mm
  - If required, order 400 mm length blank covers separately

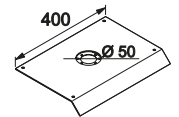
electraplan.AK  
On-the-floor  
trunking



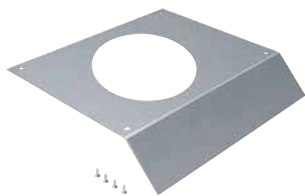
AKM150050GBZ

**Covers with installation opening GBZ**

- Properties:**
- Round, diameter 50 mm



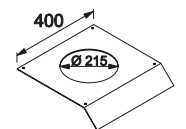
Designation	PU	Order no.
Cover GBZ round 50 L=400mm AK 150x70	1	<b>AKM150050GBZ</b>
Cover GBZ round 50 L=400mm AK 200x70	1	<b>AKM200050GBZ</b>
Cover GBZ round 50 L=400mm AK 250x70	1	<b>AKM250050GBZ</b>
Cover GBZ round 50 L=400mm AK 300x70	1	<b>AKM300050GBZ</b>
Cover GBZ round 50 L=400mm AK 350x70	1	<b>AKM350050GBZ</b>
Cover GBZ round 50 L=400mm AK 400x70	1	<b>AKM400050GBZ</b>



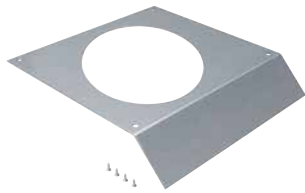
AKM300215R06

**Cover with installation opening R06**

- Properties:**
- Round, diameter 215 mm



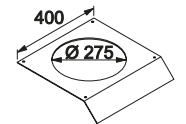
Designation	PU	Order no.
Cover R06 round 215 L=400mm AK 300x70	1	<b>AKM300215R06</b>
Cover R06 round 215 L=400mm AK 350x70	1	<b>AKM350215R06</b>
Cover R06 round 215 L=400mm AK 400x70	1	<b>AKM400215R06</b>



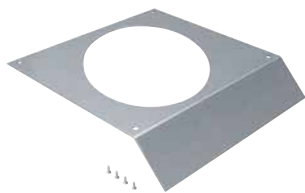
AKM350275R10

**Cover with installation opening R10**

- Properties:**
- Round, diameter 275 mm



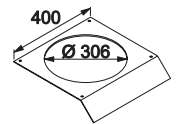
Designation	PU	Order no.
Cover R10 round 275 L=400mm AK 350x70	1	<b>AKM350275R10</b>
Cover R10 round 275 L=400mm AK 400x70	1	<b>AKM400275R10</b>



AKM350306R12

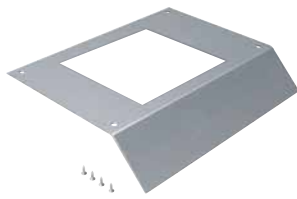
**Cover with installation opening R12**

- Properties:**
- Round, diameter 306 mm



Designation	PU	Order no.
Cover R12 round 306 L=400mm AK 350x70	1	<b>AKM350306R12</b>
Cover R12 round 306 L=400mm AK 400x70	1	<b>AKM400306R12</b>



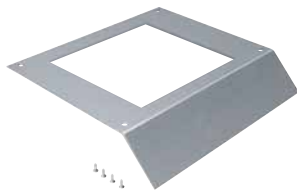
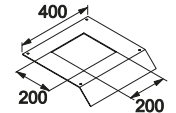


AKM250200Q06

**Cover with installation opening Q06**

**Properties:**  
- Square, edge length 200 mm

Designation	PU	Order no.
Cover Q06 200x200 L=400mm AK 250x70	1	<b>AKM250200Q06</b>
Cover Q06 200x200 L=400mm AK 300x70	1	<b>AKM300200Q06</b>
Cover Q06 200x200 L=400mm AK 350x70	1	<b>AKM350200Q06</b>
Cover Q06 200x200 L=400mm AK 400x70	1	<b>AKM400200Q06</b>

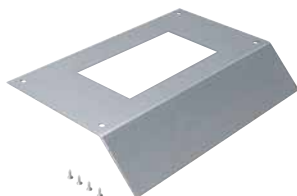
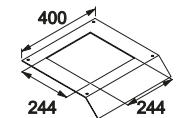


AKM300244Q12

**Cover with installation opening Q12**

**Properties:**  
- Square, edge length 244 mm

Designation	PU	Order no.
Cover Q12 244x244 L=400mm AK 300x70	1	<b>AKM300244Q12</b>
Cover Q12 244x244 L=400mm AK 350x70	1	<b>AKM350244Q12</b>
Cover Q12 244x244 L=400mm AK 400x70	1	<b>AKM400244Q12</b>

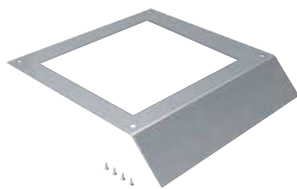
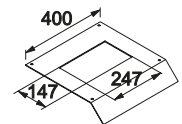


AKM200147E04

**Cover with installation opening E04**

**Properties:**  
- Cornered 147 x 247 mm

Designation	PU	Order no.
Cover E04 147x247 L=400mm AK 200x70	1	<b>AKM200147E04</b>
Cover E04 147x247 L=400mm AK 250x70	1	<b>AKM250147E04</b>
Cover E04 147x247 L=400mm AK 300x70	1	<b>AKM300147E04</b>
Cover E04 147x247 L=400mm AK 350x70	1	<b>AKM350147E04</b>
Cover E04 147x247 L=400mm AK 400x70	1	<b>AKM400147E04</b>

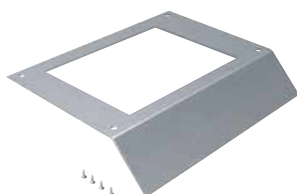
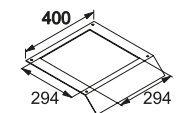


AKM350294Q08

**Cover with installation opening Q08**

**Properties:**  
- Square, edge length 294 mm

Designation	PU	Order no.
Cover Q08 294x294 L=400mm AK 350x70	1	<b>AKM350294Q08</b>
Cover Q08 294x294 L=400mm AK 400x70	1	<b>AKM400294Q08</b>

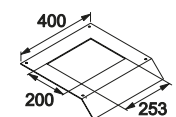


AKM250200E09

**Cover with installation opening E09**

**Properties:**  
- Cornered 200 x 253 mm

Designation	PU	Order no.
Cover E09 200x253 L=400mm AK 250x70	1	<b>AKM250200E09</b>
Cover E09 200x253 L=400mm AK 300x70	1	<b>AKM300200E09</b>
Cover E09 200x253 L=400mm AK 350x70	1	<b>AKM350200E09</b>
Cover E09 200x253 L=400mm AK 400x70	1	<b>AKM400200E09</b>



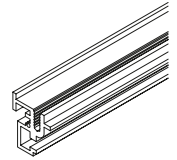


AKZSP2400

**Side profile, length 2400 mm**

**Properties:**

- Extruded aluminium profile
- If additionally required for one-sided trunking lower part



Designation	PU	Order no.
Side profile with edge cap L=2400 mm AK	24	<b>AKZSP2400</b>

electraplan.AK  
On-the-floor  
trunking

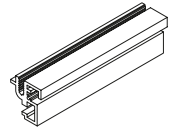


AKZSP0100

**Side profile, length 100 mm**

**Properties:**

- Extruded aluminium profile
- If additionally required for two-sided trunking lower part, or one-sided with extension



Designation	PU	Order no.
Side profile without edge cap L=100 mm AK	1	<b>AKZSP0100</b>

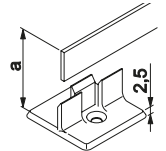


BKTWK31

**Partition wall made from PS**

**Properties:**

- Partition wall for division into trunking compartments
- Including 4 partition wall feet to be glued into the trunking or for dowelling to the bare floor
- Overall height with partition wall feet = nominal height a + 2.5 mm
- Length 2000 mm
- Material: Polystyrol



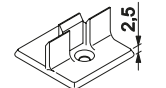
Designation	PU	Order no.
Partition wall foot height 33 L=2m PS z BK/AK	1	<b>BKTWK31</b>
Partition wall foot height 63 L=2m PS z BK/AK	1	<b>BKTWK61</b>



BKTWF00

**Partition wall foot made from PS**

- If additionally required
- Material: Polystyrol



Designation	PU	Order no.
Partition wall foot for plastic TW for BK/AK	1	<b>BKTWF00</b>



AKZSA0135

**Earth conductor for earthing the trunking system**

**Properties:**

- Screws onto the straight trunking connector, flexible conductor
- 2.5 mm<sup>2</sup>, 135 mm long, green-yellow
- 2 x annular cable lug

Designation	PU	Order no.
Earthing conductor AK, length 135 mm, green-yellow	1	<b>AKZSA0135</b>



**Trunking connector**

Designation	PU	Order no.
Trunking connector, straight, for AK 1 AKZKV180	1	<b>AKZKV180</b>

AKZKV180



**Trunking connector, angled**

Designation	PU	Order no.
Trunking connector, angled 90°, for AK	1	<b>AKZKV090</b>

AKZKV090

- Safer protection at higher loads
- Easily accessible through removable upper part
- Separate compartments for separation of power and data lines

### Floor distributor colours

RAL 7035 light grey  
RAL 7021 anthracite

### Material

Anodised aluminium

### Supplied lengths

2000 mm, special lengths up to 6000 mm on request

### Form of delivery

Complete trunking with lower and upper part

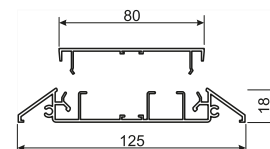
electraplan..AK  
On-the-floor  
trunking



AKA181250ELN

### On-the-floor trunking, aluminium

Complete trunking with lower and upper part, with removable upper part  
Laying of cables from above  
Height 18 mm, width 125 mm, 2 compartments  
Line configuration: 8 x  $\varnothing$  11 mm e.g. NYM 3 x 1.5 mm<sup>2</sup>  
Upper part BRAN700802ELN as replacement part



Designation	PU	Order no.
On-the-floor trunking, aluminium AKA 18x125mm anodised	12	<b>AKA181250ELN</b>
Dado runking-OT to BRAN, 80mm, anodised	32	<b>BRAN700802ELN</b>



L5106

### Double sided adhesive tape

Roll length 50 m, width 19 mm

Designation	PU	Order no.
Double sided adhesive tape, width 19 mm L=5 m 1 L5106	1	<b>L5106</b>



G71357035

### Floor distributor, complete

For transition from aluminium on-the-floor trunking to upper and lower parts consisting of flat chain  
Material: Steel sheet

Designation	PU	Order no.
Floor distributor, flat chain and on-the-floor trunking, light grey	1	<b>G71357035</b>
Floor distributor, flat chain and on-the-floor trunking, anthracite	1	<b>G71357021</b>



G71407035

### Floor distributor, upper part

Junction and cross piece for aluminium on-the-floor trunking, upper part from steel sheet

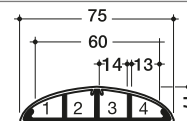
Designation	PU	Order no.
Floor distributor upper part flat chain//on-the-floor trunking light grey	1	<b>G71407035</b>
Floor distributor upper part flat chain//on-the-floor trunking anthracite	1	<b>G71407021</b>



SLA180750ELN

### On-the-floor trunking, lower part PVC, upper part aluminium

4 compartments  
Line configuration: 4 x  $\varnothing$  11 mm e.g. NYM 3 x 1.5 mm<sup>2</sup>



Designation	PU	Order no.
On-the-floor trunking with upper part aluminium SLA 18x75 anodised	10	<b>SLA180750ELN</b>



L5806

### Earthing accessory for SLA180750ELN

Designation	PU	Order no.
Earthing connection in kit (5 pieces) for SLA-OT 1 L5806	1	<b>L5806</b>



L4181NGE

### Earthing conductor

- plug-in, cross-section 4 mm<sup>2</sup>, for electrical connection of base profiles and upper parts and for by-passing moulded parts

Designation	PU	Order no.
Earthing conductor length 150 mm green-yellow	100	<b>L4181NGE</b>
Earthing conductor length 300 mm green-yellow	100	<b>L4182NGE</b>
Earthing conductor length 600 mm green-yellow	25	<b>L4183NGE</b>

**On-the-floor trunking**  
 - for flexible wire transport on floors  
 - hard wearing

**Delivery colours**  
 RAL 7030, grey  
 RAL 7035, light grey  
 RAL 1019, beige  
 RAL 8014, brown  
 RAL 7021, anthracite  
 RAL 9001, cream white  
 RAL 9010, pure white

**Material**  
 PVC

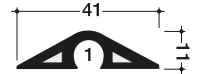
**Supplied lengths**  
 2000 mm



SL1104007030

**On-the-floor trunking, PVC**

1 compartment  
 Line configuration: 1 x  $\varnothing$  11 mm e.g. NYM 3 x 1.5 mm<sup>2</sup>



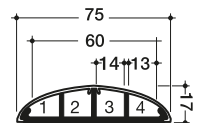
Designation	PU	Order no.
On-the-floor trunking, PVC SL 11x40 mm, stone grey	70	<b>SL1104007030</b>
On-the-floor trunking, PVC SL 11x40 mm, cream white	70	<b>SL1104009001</b>



SL1807509001

**On-the-floor trunking, PVC**

4 compartments  
 Line configuration: 4 x  $\varnothing$  11 mm e.g. NYM 3 x 1.5 mm<sup>2</sup>



Designation	PU	Order no.
On-the-floor trunking PVC SL 18x75 mm beige	32	<b>SL1807501019</b>
On-the-floor trunking PVC SL 18x75 mm anthracite	32	<b>SL1807507021</b>
On-the-floor trunking PVC SL 18x75 mm stone grey	32	<b>SL1807507030</b>
On-the-floor trunking PVC SL 18x75 mm light grey	32	<b>SL1807507035</b>
On-the-floor trunking PVC SL 18x75 mm brown	32	<b>SL1807508014</b>
On-the-floor trunking PVC SL 18x75 mm cream white	32	<b>SL1807509001</b>
On-the-floor trunking PVC SL 18x75 mm pure white	32	<b>SL1807509010</b>

electraplan.AK  
 On-the-floor  
 trunking

**On-the-floor trunking**

Identifier number	Type	Trunking width	Trunking height	Splay/Extension
AK = On-the-floor trunking	U = Lower part	X	Y	Z
	E = End piece	150 = 150 mm	040 = 40 mm	1 = single-sided
	B8 = Blank cover, length 800 mm	200 = 200 mm	070 = 70 mm	2 = double-sided
	B4 = Blank cover, length 400 mm	250 = 250 mm		
	BAS = Blank cover, length 800 mm, with connection	300 = 300 mm		1V = 100 mm extension
	BAZ = Blank cover, length 800 mm, with 45 degree junction	350 = 350 mm		
	BA = Blank cover, outer corner	400 = 400 mm		
	BI = Blank cover, inner corner			

**Covers with installation opening**

Identifier	Type	Nominal width	Size and type of blanking
AK = On-the-floor trunking	X	Y	Z
	M = Cover with installation opening	150 = 150 mm 200 = 200 mm 250 = 250 mm 300 = 300 mm 350 = 350 mm 400 = 400 mm	050GBZ = Blanking GBZ round 50 mm 215R06 = Blanking R06 round 215 mm 275R10 = Blanking R10 round 275 mm 306R12 = Blanking R12 round 306 mm 200Q06 = Blanking Q06 200 x 200 mm 294Q08 = Blanking Q08 294 x 294 mm 244Q12 = Blanking Q12 244 x 244 mm 147E04 = Blanking E04 147 x 247 mm 200E09 = Blanking E09 200 x 253 mm

**AK Zubehör**

Identifier	Type	Type	Length/Angle
AK = On-the-floor trunking	X	Y	Z
	Z = Accessory	SP = Side profile	0100 = Length 100 mm 2400 = Length 2400 mm
		SA = Earthing conductor connection	0135 = Length 135 mm
		KV = Trunking connector	090 = angle, 90 degrees 180 = straight, 180 degrees

electraplan.AK  
On-the-floor  
trunking

### General description - Operating principle and application

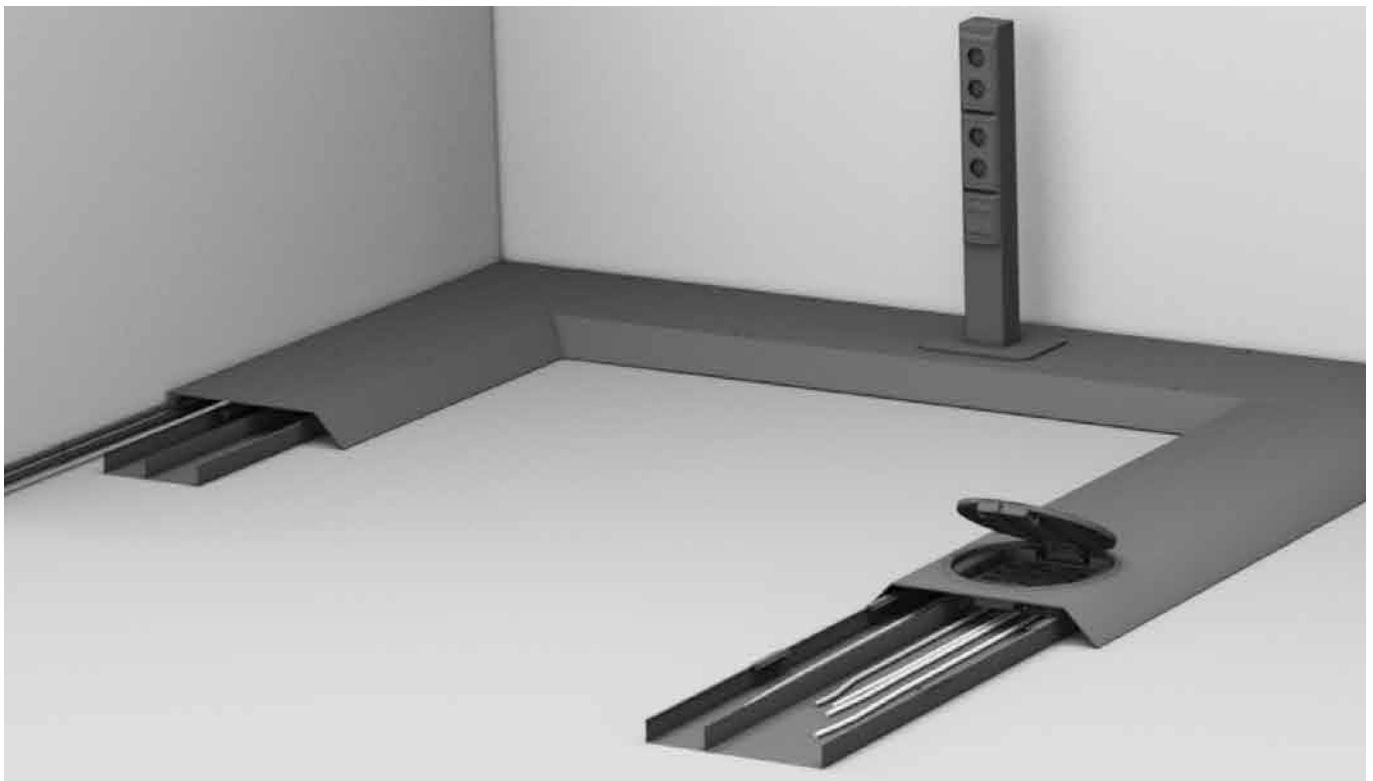
The on-the-floor trunking system is installed on finished floors.

Hager on-the-floor trunking can be harmoniously integrated into the interior architecture without a large amount of installation work. Proven installation and construction units provide flexible space distribution and complete the appearance of the installation. The on-the-floor trunking consists of a trunking lower-part (trough), which is fixed on the existing floor. Niches for radiators or other protrusions in the wall are ignored and are simply filled with the filler material, e.g. screed, and covered with the newly laid flooring. The cover of the trunking consists of a blank cover bevelled to the floor, which can also be provided with a floor covering. It is possible to use the covers with installation openings, installed units and service units, as well as with pedestal boxes protruding above the floor or to install service posts. Upper parts with a 100 mm wide overhang can be used to cover heating pipes, for example, installed in the floor area.

This trunking system is particularly suitable for renovation projects as well as for modernisation and expansion of building installations.

The main areas of use are renovation projects in office and administration buildings, and construction projects requiring a rapid production of electrical systems on already finished floors.

If installation of underfloor trunking in the screed is not possible due to a building structure that is protected for structural reasons or due to historical monument regulations, on-the-floor trunking can be routed on the finished floors. However, this robust on-the-floor trunking is also used in assembly shops, laboratories and industrial buildings.



#### Advantages at a glance

##### Flexible retrofit installation

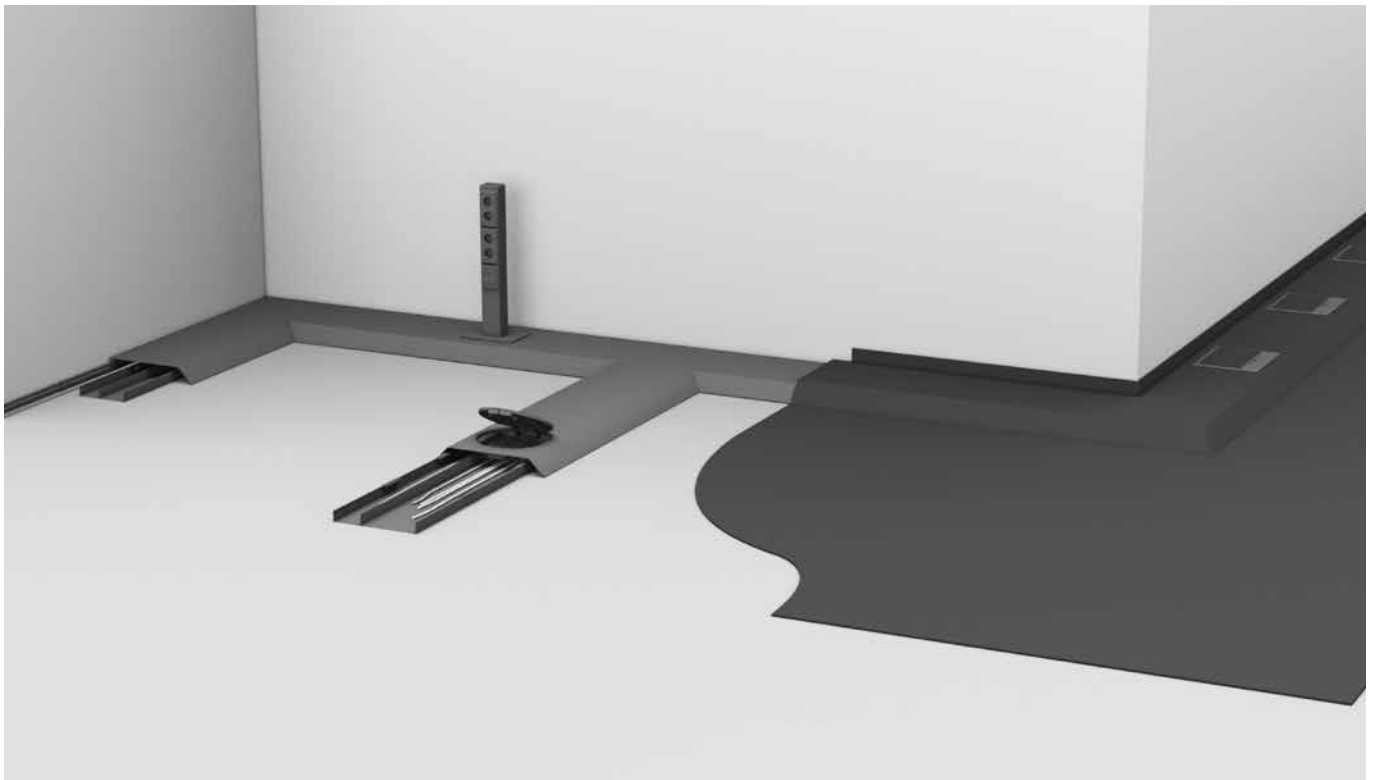
If the floor is already finished or if subsequent cutting is not desired, the on-the-floor trunking system offers a quick and flexible installation. With this trunking system, subsequent changes do not present a problem. The position of the individual covers with installation openings can be changed as required, at any time.

##### Robust quality

Thanks to the 3-mm thick blank covers, made from galvanised steel sheet in accordance with DIN EN 10327, the on-the-floor trunking system is highly stable.

##### Easy installation

The preassembled moulded parts enable quick and simple modular assembly on the construction site.





### Determining the line volumes

The line volumes are required in order to determine the correct trunking size. Since, in practice, the lines never lie entirely parallel to one another in the optimum space-saving manner, the quadratic (d)<sup>2</sup> diameter formula is used here. In order to be prepared for any later retrofitting, the channels should only be 50% filled. This also makes it easier to feed the lines through the trunking. In addition, it should be noted that this calculation does not take into account any floor boxes or outlets, which may interrupt the path of the lines. In practice, power and data cables are laid separated from each other in the trunking. Partitions divide the trunking into several compartments. If this applies in your case, calculate the individual space requirement for each compartment. You will find a line volume configurator at [www.Hager.de/Konfigurator](http://www.Hager.de/Konfigurator), which will help you with the calculation.



electraplan.AK  
On-the-floor  
trunking

Order number	Trunking width mm	Usable cross-section cm <sup>2</sup>	Line diameter in mm															
			5	6	7	8	9	10	11	12	13	14	15	16	17	18	19	20
AKU1500401	150	60	120	83	61	46	37	30	24	20	17	15	13	11	10	9	8	7
AKU2000401	200	80	160	111	81	62	49	40	33	27	23	20	17	15	13	12	11	10
AKU2500401	250	100	200	138	102	78	61	50	41	34	29	25	22	19	17	15	13	12
AKU3000401	300	120	240	166	122	93	74	60	49	41	35	30	26	23	20	18	16	15
AKU1500701	150	105	210	145	107	82	64	52	43	36	31	26	23	20	18	16	14	13
AKU2000701	200	140	280	194	142	109	86	70	57	48	41	35	31	27	24	21	19	17
AKU2500701	250	175	350	243	178	136	108	87	72	60	51	44	38	34	30	27	24	21
AKU3000701	300	210	420	291	214	164	129	105	86	72	62	53	46	41	36	32	29	26
AKU3500701	350	245	490	340	250	191	151	122	101	85	72	62	54	47	42	37	33	30
AKU4000701	400	280	560	388	285	218	172	140	115	97	82	71	62	54	48	43	38	35

**General information:**

**Wall**

Wall openings should be produced prior to installation of the trunking.

**Cleaning**

The installation surface must be clean and flat.

**Deburring**

Sharp corners and edges are to be avoided.

**Lower part fastening**

Trunking lower parts must be installed on the bare floor before putting down the flooring.

**Floor laying**

The flooring must be laid up to the trunking lower parts.

**Earthing**

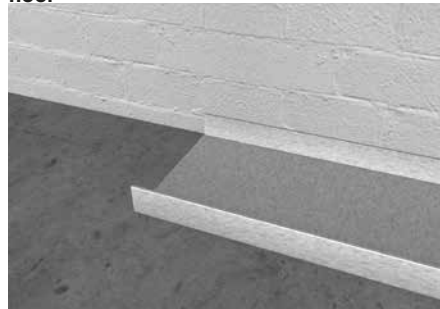
The system components are to be included in the earthing measures, in accordance with DIN VDE 0100.

**Screwing**

Trunking covers must be securely and permanently screwed to the lower parts.

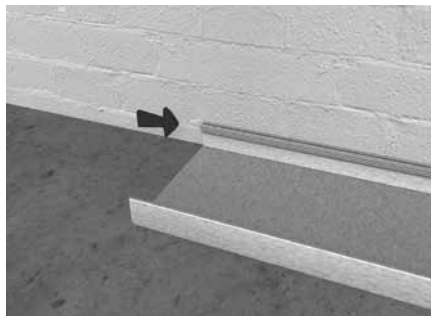
electraplan.AK  
On-the-floor  
trunking

**Fastening trunking lower parts to the bare floor**



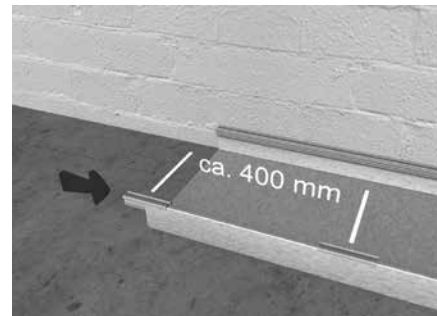
Lay the trunking lower parts together in the required position and fasten on to the bare floor.

**Inserting side profiles (long)**



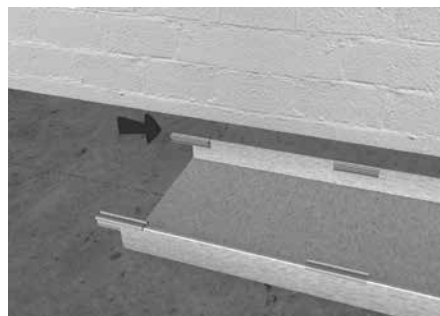
Slide the (long) side profiles on the rear side of the trunking lower part, orientated towards the wall.

**Inserting side profiles (short)**



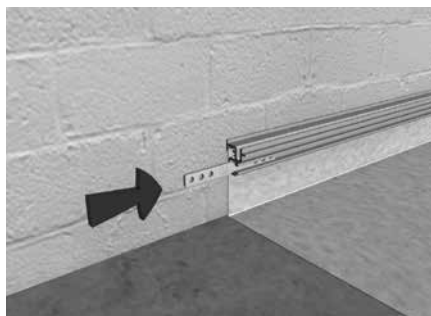
Slide the (short) side profiles on the front side of the trunking lower part. Align the profile pieces so that they later lie under the fixing holes of the covers, separation approx. 400 mm.

**Profiles for trunking lower parts AKU...**



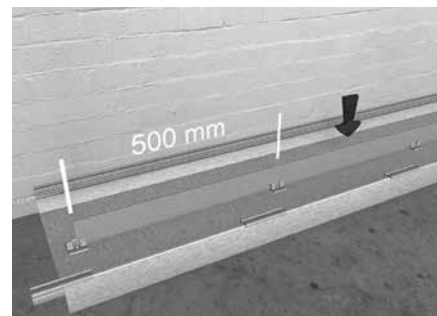
In the case of trunking lower parts AKU...2 (for double-sided bevelled blank covers) the (short) side profiles are also used on the rear side, orientated towards the wall.

**Inserting trunking connectors**



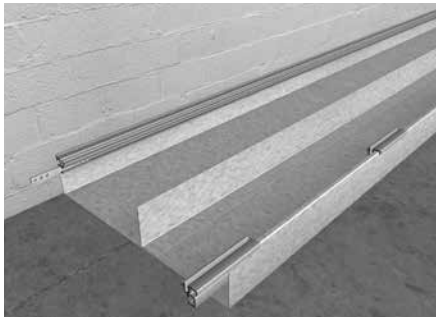
Fasten the (long) side profiles together using trunking connectors.

**Trunking partition wall BKTWK**



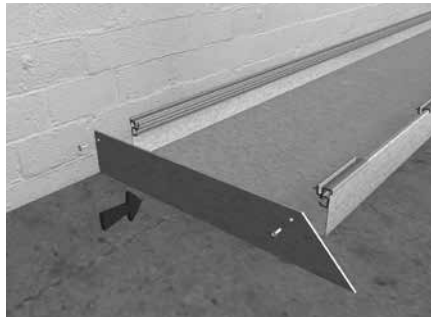
Trunking partition wall BKTWK  
Glue the trunking partition wall feet BKTWK into the trunking the lower part, at a separation of 500 mm. Insert the partition in the feet.

**Trunking partition wall BKTWK**



Optional partition wall BKTWS is already installed in the factory.

**Trunking end pieces**



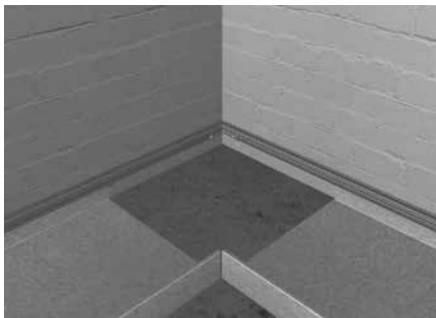
Screw the trunking end pieces into the side profile as shown in the illustration.

**Earthing**



Earth conductor cable AKZSA0135 is screwed to the connector. The profile must be connected conductively to the trunking lower part (trough) on-site. Drill holes in the side profile and screw in a self-tapping screw until it presses tightly against the trough.

**Angle setting**



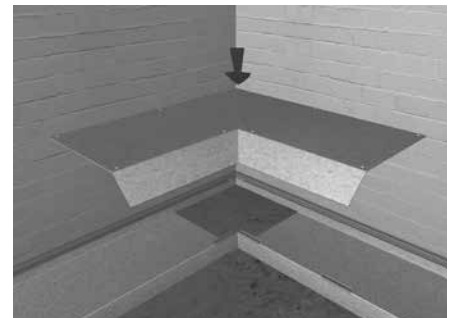
Lay the trunking lower parts flush to one another in the angle. Saw the (long) side profile on a mitre and screw to the angle connectors.

**Screwing trunking connectors**



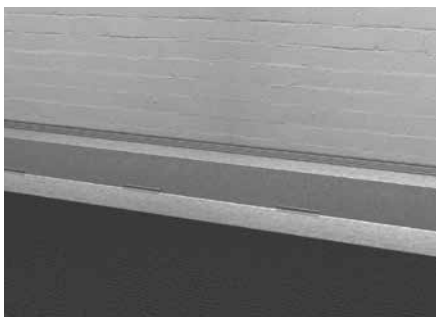
Screw the (short) side profiles to the angle connectors.

**Applying blank covers**



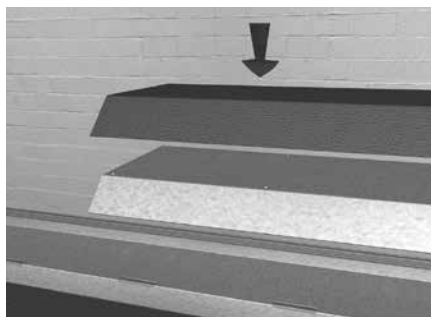
Screw the blank cover inner corners or blank cover outer corners, which have been cut on a 90° mitre in the factory, into the side profiles.

**Laying flooring**



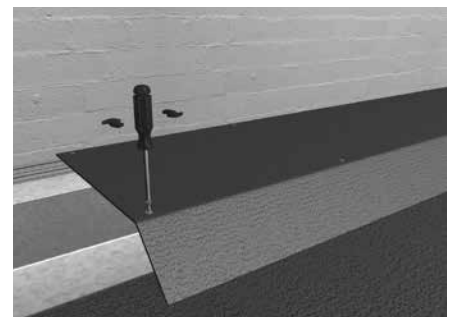
Lay the flooring up to the trunking lower parts of the installed on-the-floor trunking system.

**Flooring on blank cover**



Glue the flooring to completely cover the blank cover. Then, where necessary, cut out installation openings in the flooring.

**Screwing on blank covers**



Screw the blank covers on the trunking lower parts. Align the (short) side profiles under the drilled holes. Insert bolts through the flooring, then insert screws in the profile slots and tighten. In this way, the screws remain easily accessible for later revisions.

# Double floors and cavity floors

## electraplan.DB-HB

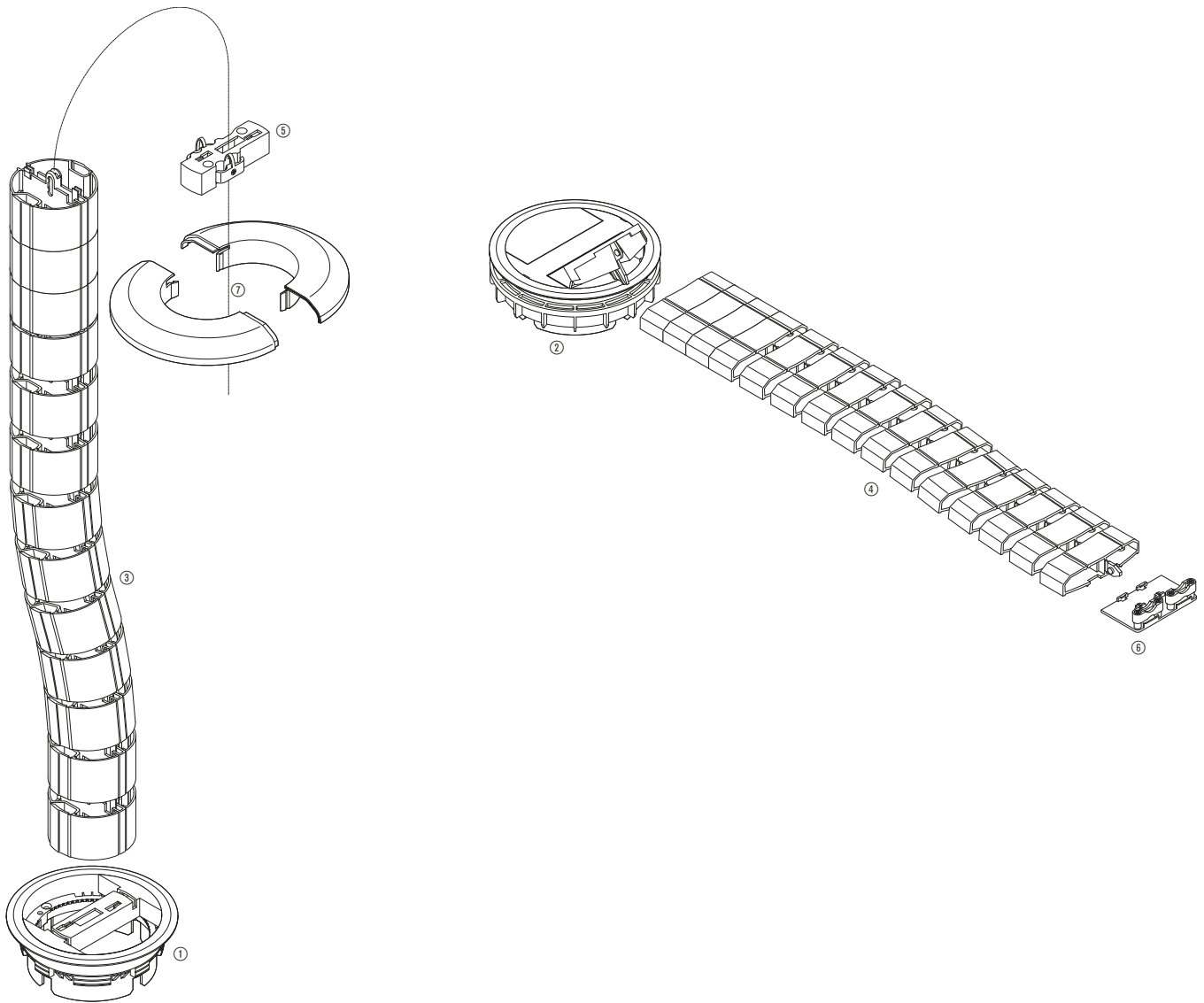
### Two systems in one

Whether for stacked double floors or cavity floors with a closed screed covering – in both cases, the flexible electraplan.DB-HB system is the perfect solution: With pre-assembled lines and device casings with sockets, the final installation is simply a case of plugging in the electrical distribution. And with this practical plug-and-play technology, changes can be implemented quickly and easily.

electraplan.DB-HB



electraplan.DB-HB	
System overview	132
<hr/>	
Casing elements for supply units and height-adjustable cassettes	133
<hr/>	
Cable outlets with a clamping range less than 20 mm	134
<hr/>	
Cable outlets with a clamping range greater than 20 mm	135
<hr/>	
Flat chain and accessories	136
<hr/>	
Round chain and accessories	138
<hr/>	
Order number system	139
<hr/>	
Technical information	140
<hr/>	



**electraplan.DB-HB**

- ① Cable outlet with connection for round chain
- ② Cable outlet with connection for flat chain
- ③ Round chain
- ④ Flat chain
- ⑤ Connection adapter for round chain
- ⑥ Connection adapter for flat chain
- ⑦ Rosette for round chain

- Standard height: 50 mm
- Casing elements also available on request with a height of 110 mm

**Material**  
Plastic

**Shapes**

- R06: round 215 mm
- R10: round 275 mm
- R12: round 306 mm
- Q06: square 200 x 200 mm
- Q12: square 244 x 244 mm
- E09: rectangular 200 x 253 mm

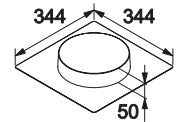
**Note**

- Position the casing elements on the floor before casting the screed
- Once the screed has set and reached the required hardness, cut off the protruding pType from the casing element

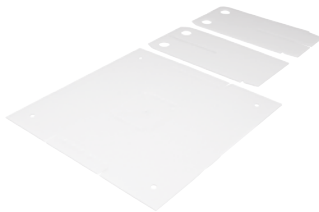


SEVR0650

**Casing elements for supply units and height-adjustable cassettes**



Designation	PU	Order no.
Casing element f VR06 round 215mm H50mm	15	<b>SEVR0650</b>
Casing element f VR10 round 275mm H50mm	10	<b>SEVR1050</b>
Casing element f VR12 round 306mm H50mm	1	<b>SEVR1250</b>
Casing element f VQ06 square 200mm H50mm	25	<b>SEVQ0650</b>
Casing element f VQ12 square 244mm H50mm	1	<b>SEVQ1250</b>
Casing element f VE09 200x253mm H50mm	1	<b>SEVE0950</b>



SEGT350

**Properties:**

- 350 x 350 mm
- For use with e.g. cavity floors

Designation	PU	Order no.
Formwork element base support 350x350 mm	1	<b>SEGT350</b>



SEVR06200

**Formwork elements for service units and height adjustable cassettes**

**Properties:**

- height 200 mm
- in 5 segments with 40 mm height, divisible, can thus be matched with floor construction height

Designation	PU	Order no.
Formwork element VE04 147x247mm H=200mm	1	<b>SEVE04200</b>
Formwork element VE09 200x253mm H=200mm	1	<b>SEVE09200</b>
Formwork element VR06 rund 215mm H=200mm	1	<b>SEVR06200</b>
Formwork element VR2 rund 242mm H=200mm	1	<b>SEVR2200</b>
Formwork element VR10 rund 275mm H=200mm	1	<b>SEVR10200</b>
Formwork element VR12 rund 306mm H=200mm	1	<b>SEVR12200</b>
Formwork element VQ06 200x200mm H=200mm	1	<b>SEVQ06200</b>
Formwork element VQ12 244x244mm H=200mm	1	<b>SEVQ12200</b>
Formwork element VQ08 294x294mm H=200mm	1	<b>SEVQ08200</b>

- For installation in double or cavity floors
- Clamping range greater than 20 mm
- Outer diameter: 132 mm
- Installation opening: 112 mm

**Material**  
Polyamide (halogen-free)

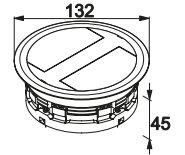
**Available colours**  
RAL 7011, iron grey  
RAL 9005, deep black  
RAL 7035, light grey



LAFKG207011

**Cable outlet for dry-cleaned floors**

- Properties:**  
- With connection for flat chain



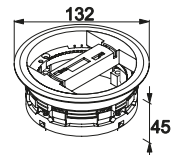
Designation	PU	Order no.
Cable outlet f fl chain clamp>20mm eg	1	<b>LAFKG207011</b>
Cable outlet f fl chain clamp>20mm lg	1	<b>LAFKG207035</b>
Cable outlet f fl chain clamp>20mm ts	1	<b>LAFKG209005</b>



LARKG207011

**Cable outlet for dry-cleaned floors**

- Properties:**  
- With connection for round chain



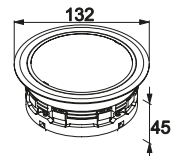
Designation	PU	Order no.
Cable outlet f rd chain clamp>20mm eg	1	<b>LARKG207011</b>
Cable outlet f rd chain clamp>20mm lg	1	<b>LARKG207035</b>
Cable outlet f rd chain clamp>20mm ts	1	<b>LARKG209005</b>



LATUG207011

**Cable outlet for wet-cleaned floors**

- Properties:**  
- With integrated splashwater protection

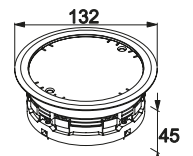


Designation	PU	Order no.
Cable outlet, tube, wet-cleaned fl. clamp>20mm eg	1	<b>LATUG207011</b>
Cable outlet, tube, wet-cleaned fl. clamp>20mm lg	1	<b>LATUG207035</b>
Cable outlet, tube, wet-cleaned fl. clamp>20mm ts	1	<b>LATUG209005</b>



LABLG207011

**Blank cover with steel plate inlay**



Designation	PU	Order no.
Cable outlet bl. cov. clamp>20mm eg	1	<b>LABLG207011</b>
Cable outlet bl. cov. clamp>20mm lg	1	<b>LABLG207035</b>
Cable outlet bl. cov. clamp>20mm ts	1	<b>LABLG209005</b>



- For installation in double or cavity floors
- Clamping range less than 20 mm
- Outer diameter: 132 mm
- Installation opening: 112 mm

**Material**  
Polyamide (halogen-free)

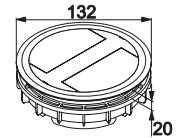
**Available colours**  
RAL 7011, iron grey  
RAL 9005, deep black  
RAL 7035, light grey



LAFKK207011

**Cable outlet for dry-cleaned floors**

- Properties:**  
- With connection for flat chain



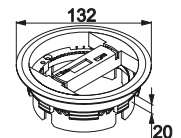
Designation	PU	Order no.
Cable outlet f fl chain clamp<20mm eg	1	<b>LAFKK207011</b>
Cable outlet f fl chain clamp<20mm lg	1	<b>LAFKK207035</b>
Cable outlet f fl chain clamp<20mm ts	1	<b>LAFKK209005</b>



LARKK207011

**Cable outlet for dry-cleaned floors**

- Properties:**  
- With connection for round chain



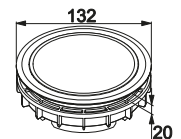
Designation	PU	Order no.
Cable outlet f rd chain clamp<20mm eg	1	<b>LARKK207011</b>
Cable outlet f rd chain clamp<20mm lg	1	<b>LARKK207035</b>
Cable outlet f rd chain clamp<20mm ts	1	<b>LARKK209005</b>



LATUK207011

**Cable outlet for wet-cleaned floors**

- Properties:**  
- With integrated splashwater protection

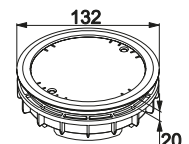


Designation	PU	Order no.
Cable outlet, tube, wet-cleaned fl. clamp<20mm eg	1	<b>LATUK207011</b>
Cable outlet, tube, wet-cleaned fl. clamp<20mm lg	1	<b>LATUK207035</b>
Cable outlet, tube, wet-cleaned fl. clamp<20mm ts	1	<b>LATUK209005</b>



LABLK207011

**Blank cover with steel plate inlay**



Designation	PU	Order no.
Cable outlet bl. cov. clamp<20mm eg	1	<b>LABLK207011</b>
Cable outlet bl. cov. clamp<20mm lg	1	<b>LABLK207035</b>
Cable outlet bl. cov. clamp<20mm ts	1	<b>LABLK209005</b>

- Flat cable chain for line trunking on the floor
- Stepproof
- Two locking positions, thus also enabling rigid connection
- Extensive accessories

**Wiring capacity**  
8 x 3 x 1.5 mm<sup>2</sup>

**Material**  
Polyamide (halogen-free)

**Available colours**  
RAL 7011, iron grey  
RAL 9005, deep black  
RAL 7035, light grey

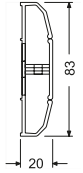


FK17011

**Flat chain**

**Properties:**

- For connection of the flat chain to the cable outlet of the service unit
- Material: Polyamide



Designation	PU	Order no.
Flat chain made of polyamide 1m eg	1	<b>FK17011</b>
Flat chain made of polyamide 1m lg	1	<b>FK17035</b>
Flat chain made of polyamide 1m ts	1	<b>FK19005</b>



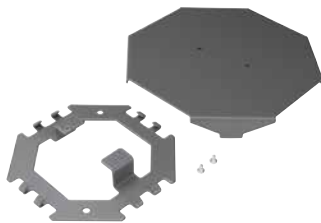
FKA7011

**Flat-chain adapter**

**Properties:**

- For crossing of wiring on the floor
- Comprises an upper and a lower pType
- Flat chain is simply hooked in
- Material: Sheet metal

Designation	PU	Order no.
Flat-chain adapter f. service unit eg	700	<b>FKA7011</b>
Flat-chain adapter f. service unit ts	700	<b>FKA9005</b>



FKB7011

**Floor distributor**

**Properties:**

- For crossing of wiring on the floor
- Comprises an upper and a lower pType
- Flat chain is simply hooked in
- Material: Sheet metal

Designation	PU	Order no.
Flat-chain floor distributor complete St eg	1	<b>FKB7011</b>
Flat-chain floor distributor complete St lg	1	<b>FKB7035</b>
Flat-chain floor distributor complete St ts	1	<b>FKB9005</b>



FKS7011

**Step protection**

**Properties:**

- For additional protection under increased loads
- Length: 1 m, custom lengths available on request
- Material: Sheet metal

Designation	PU	Order no.
Flat chain step protection 1m steel eg	1	<b>FKS7011</b>
Flat chain step protection 1m steel lg	1	<b>FKS7035</b>
Flat chain step protection 1m steel ts	1	<b>FKS9005</b>



FKH7011

**Bottom support**

**Properties:**

- For fixing the flat chain on the floor
- Length: 0.5 m
- Material: Sheet metal

Designation	PU	Order no.
Flat chain bottom support 0.5m steel eg	1	<b>FKH7011</b>
Flat chain bottom support 0.5m steel lg	1	<b>FKH7035</b>
Flat chain bottom support 0.5m steel ts	1	<b>FKH9005</b>



FKWB000

**Support with strain relief**

**Properties:**

- Support for screwing onto the wall or floor
- Strain relief for 2 lines
- Material: Polyamide

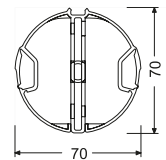
Designation	PU	Order no.
Flat-chain support with strain relief	1	<b>FKWB000</b>

- Round line routing chain for connection of the floor outlet to the desk connection
  - Safe and reliable protection for the lines
  - Easy to open and close again with folding mechanism
  - Flexible in all directions but can also be locked to form a rigid connection
  - Extensive accessories
- Wiring capacity**  
16 x 3 x 1.5 mm<sup>2</sup>
- Material**  
Polypropylene
- Available colours**  
RAL 7035, light grey  
RAL 9005, deep black

**Round chain**



- Properties:**
- Length (fully extended): 1 m (18 chain links)
  - 2 compartments for data and energy lines
  - Adapted to room distributor system



RK17035

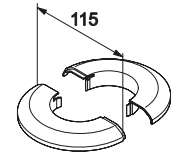
Designation	PU	Order no.
Round chain made of polypropylene 1m lg	1	<b>RK17035</b>
Round chain made of polypropylene 1m ts	1	<b>RK19005</b>



RKR7035

**Rosette**

- Properties:**
- For covering the cable outlet after connection of the round chain
  - Material: Polypropylene



Designation	PU	Order no.
Round chain rosette PP cover for LARK lg	1	<b>RKR7035</b>
Round chain rosette PP cover for LARK ts	1	<b>RKR9005</b>



RKA7035

**Connection adapter**

- Properties:**
- Connection adapter with strain relief for floor or ceiling connection
  - Material: Polypropylene

Designation	PU	Order no.
Round-chain connection adapter PP lg	1	<b>RKA7035</b>
Round-chain connection adapter PP ts	1	<b>RKA9005</b>



RKWH000

**Wall holder**

- Properties:**
- For safe and reliable attachment of the round chain to the wall
  - Material: Polypropylene

Designation	PU	Order no.
Round-chain wall holder PP	1	<b>RKWH000</b>

**Raised floor – Cavity floor – Group connection points**

Identifier	Type	Type	Altitude
SE = casing element	X  V = service unit	Y  E04: eckig 147 x 247 mm E09: cornered 200 x 253 mm R06: round 215 mm R2: round 242 mm R10: round 275 mm R12: round 306 mm Q06: square 200 x 200 mm Q12: square 244 x 244 mm Q08: square 294 x 294 mm	Z  200 = height 200 mm

**Raised floor – Cavity floor – Cable outlets**

Identifier	Type	Type	Colour
LA = cable outlet	X  FK = with connection for flat chain RK = with connection for round chain TU = tube BL = blank cover	Y  G20 = clamping range greater than 20 mm K20 = clamping range less than 20 mm	Z  7011 = RAL 7011, iron grey 9005 = RAL 9005, deep black

**Raised floor – Cavity floor – Chains and accessories**

Identifier	Accessories	Colour
FK = flat chain	Y  1 = length 1 m A = adapter B = floor distributor S = protection (step protection) H = holder (floor holder)  WB000 = wall and floor holder	Z  7011 = RAL 7011, iron grey 9005 = RAL 9005, deep black

Identifier	Accessories	Colour
RK = Rundkette	Y  1 = length 1 m R = rosette A = connection adapter  WH000 = wall holder	Z  7035 = RAL 7035, light grey

## Raised floor - general description - function and application

### Fast installation

With pre-assembled cables and device casings with sockets, the final office installation is simply a case of plugging in the electrical distribution.

### High flexibility

Thanks to the plug-and-play technology, all changes can be implemented quickly and easily.

### How it works

Straightforward, time-saving installation: an installation result that not only fits perfectly, but one that also looks great. With a system for underfloor areas that delivers energy and data simply and safely to their destinations. Easy routing of pre-assembled lines with plug-and-play technology – and any re-routing can be done in the shortest possible time, as the floor panels can be lifted up and full accessibility is available over the entire length. The lines are distributed and divided into sections via multiple group connection points. These flexible, decentralised, freely combinable group connection points split energy connections into up to six self-locking input plugs. The pre-assembled device casings round off the system. Supply units with device casings and sockets are then installed in raised floor panels with pre-assembled assembly openings.

Open-plan offices with large floor areas that are subdivided with partition walls into a large number of smaller computer workplaces but which need to retain the option of restructuring the floor plan will find this flexible system indispensable. The same applies to computer server rooms fitted with double floors, which offer maximum flexibility thanks to their design. In showrooms or exhibition stands that are regularly redesigned to specific requirements, fully-networked power and data networks can be integrated in this way.



**General information**

**Applicability**

These installation instructions apply to all casing elements of any size and shape.

**Material**

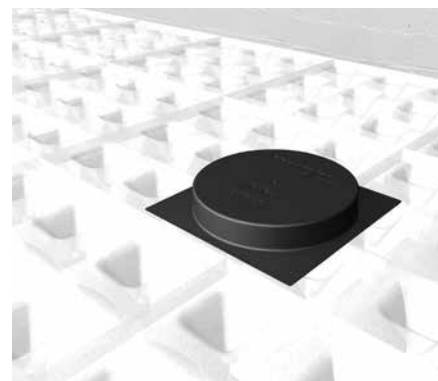
Casing elements are made of plastic.

**Transport**

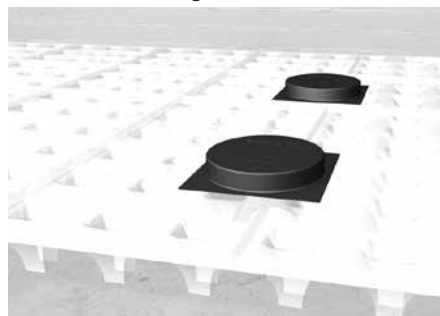
Casing elements can be stacked to save space during transport.

**110 mm**

Casing elements with a height of 110 mm for higher screeds are available upon request.

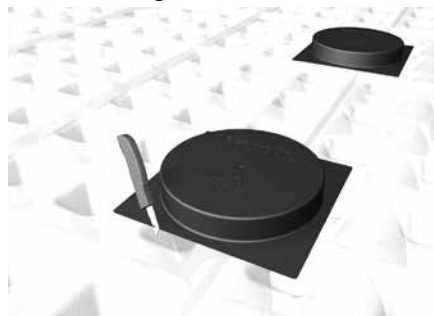


**Position the casing elements**



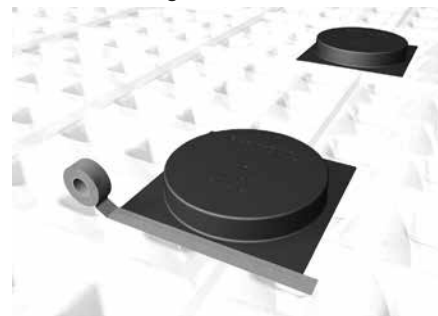
Position the casing elements on the cavity floor before casting the screed.

**Trim the casing elements**



If required, trim the edges of the casing elements so that directly bordering recesses can be filled with screed.

**Mask the casing elements**

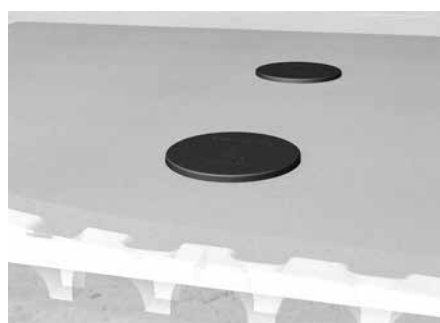


Attach the casing element to the cavity floor (provided by the customer) using adhesive tape.

**Caution:**

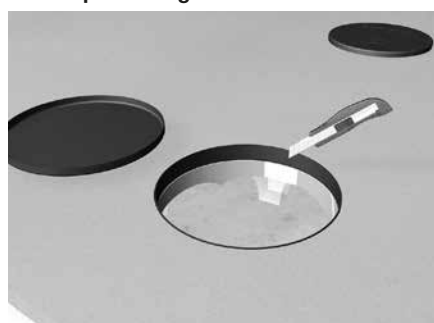
Recesses allowing screed to enter into the casing element from outside must be sealed e.g. by fabric adhesive tape.

**Cast the screed**



Cast the screed, filling the recessed structure of the cavity floor.

**Cut off protruding material**



Once the screed has hardened according to specifications, cut any protruding material off the casing element.

**Install the service unit**



After laying the flooring, insert the supply unit into the opening and secure it.

**General instructions:**

**Floor-to-desk routing**

Round conduit chain connecting floor to desk.

**Protection**

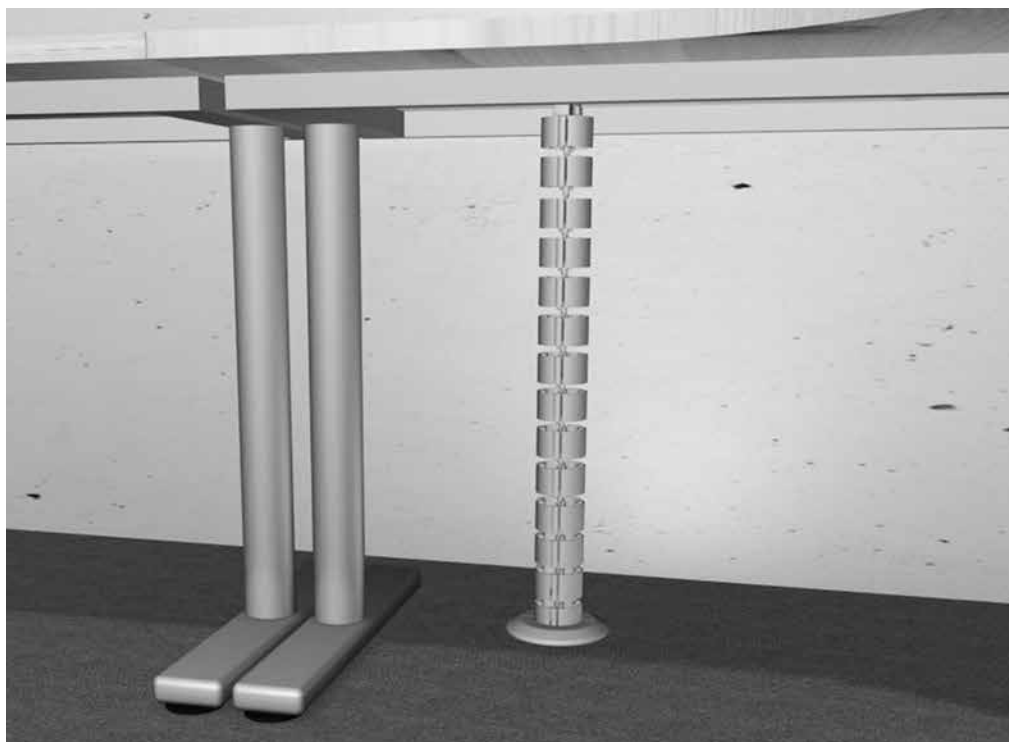
The chain provides reliable protection to the cables.

**Simple and spacious**

Easy to open and close thanks to a snap mechanism. It provides sufficient capacity for different cables.

**Flexible**

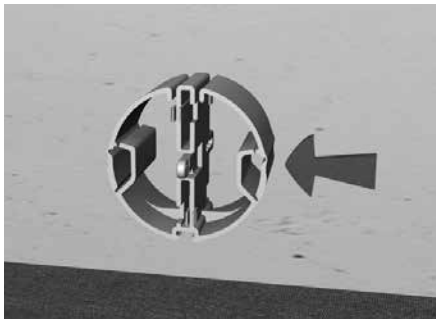
The chain is flexible in all directions but can also be locked to form a rigid connection.  
Bending radii of luminous conductors or copper lines are not exceeded.



electraplan.DB-HB

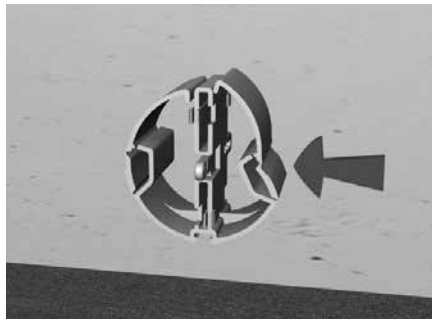


**Push in the round chain**



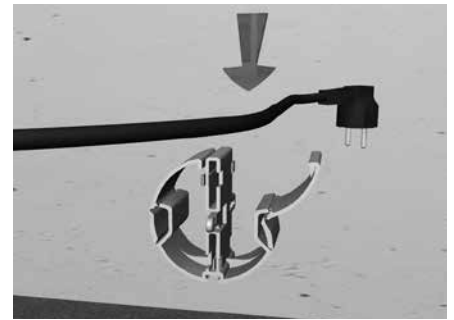
Push in the round chain at the sides.

**Open the round chain**



Press the lateral perforation to open the chain's snap mechanism.

**Thread in the cables**



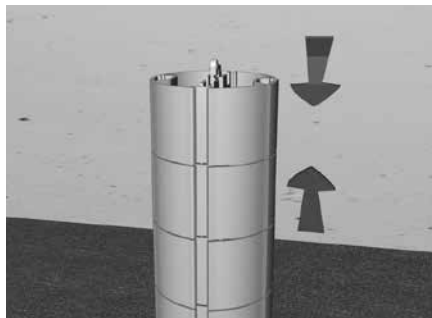
Insert cables from above into the opening.

**Close the round chain**



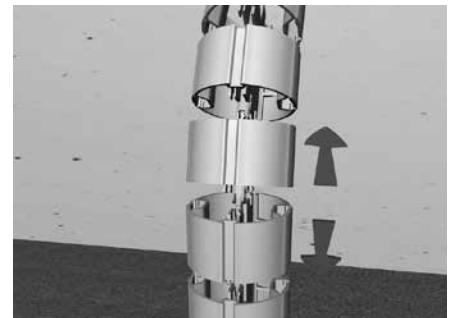
Push the upper lid of the round chain back to close it. The lid returns to its original position.

**Create a rigid connection**



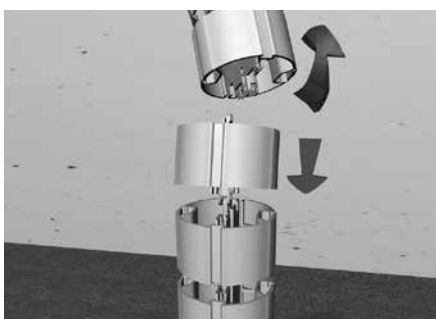
Push the links of the round chain together to create a rigid connection.

**Create a flexible connection**



To make the round chain flexible, pull to release the catch mechanisms. The round chain is then flexible in all directions.

**Split the round chain**



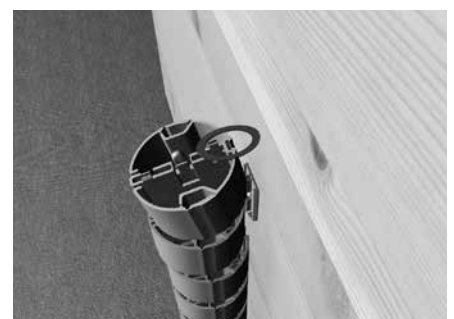
Round chain links can be separated by turning and pulling.

**Install the wall mount**



Secure the wall mount to the wall using a screw. The wall mount must be attached in such a way that the guide slot is closed at the bottom.

**Attach the round chain**



Insert the round chain link with the slotted side from above into the wall mount.

**Snap in the round chain**



Push the entire round chain into the guide groove from below.

**Attach the connection adapter**



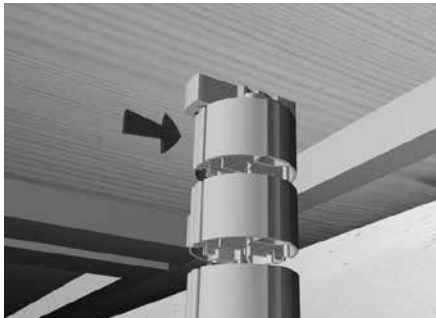
To attach the round chain to the underside of a desktop, the connection adapter must be mounted to the desktop underside.

**Plug in the round chain**



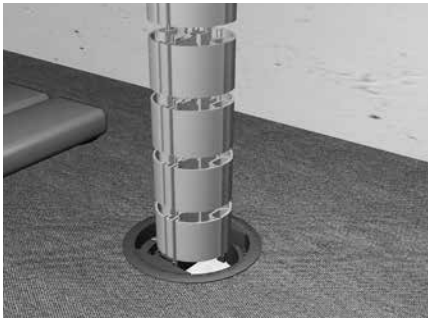
Push the round chain into the connection adapter from below.

**Snap in the round chain**



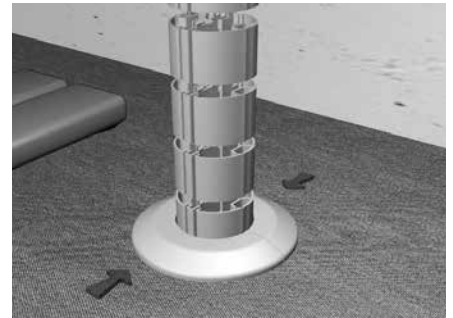
Push the round chain from the side into the centre of the connection adapter. The round chain snaps in and is then locked in position.

**Connect to the cable outlet**



Attach the round chain to the cable outlet in the same manner. Push it in and move it to the centre position from the side.

**Install the rosette cover**



Position the two-piece rosette cover from both sides around the round chain and clip it together.

**General instructions:**

**Flat**

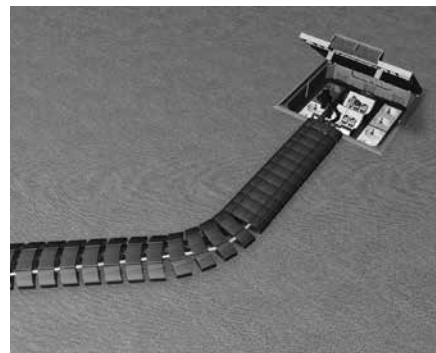
Flat flexible wire cover for running cables across the floor

**Latching and spacious**

The two latching positions allow the chain to make a rigid connection. Two compartments facilitate the parallel routing of data and power lines.

**Rigidity**

The rigid design ensures a high level of protection against stepping.

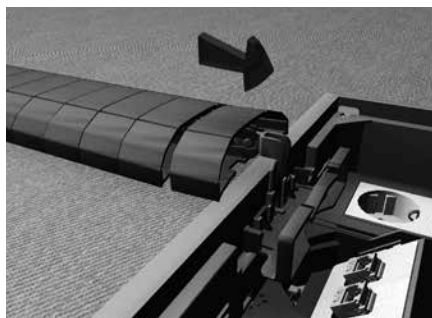


**Insert the flexible wire cover adapter**



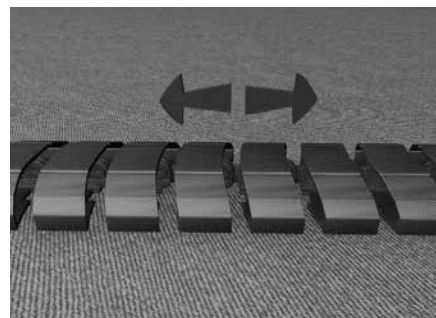
Insert the flexible wire cover adapter from above into the centre groove.

**Connect the flexible wire cover**



Clip the flexible wire cover with the groove into the latch of the flexible wire cover adapter.

**Alternatively, expand the flexible wire cover**



To make the flexible wire cover flexible, pull apart the individual joints until they are held by the second latching point.

**Routing bends**



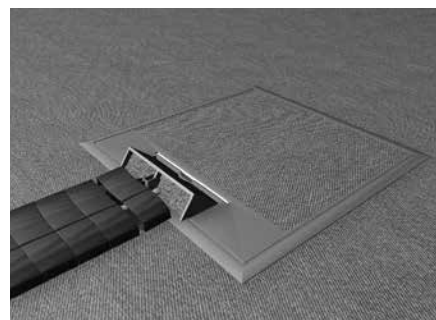
If the individual links of the flexible wire cover are pulled apart, they can also be routed in a radius.

**Thread in the cables**



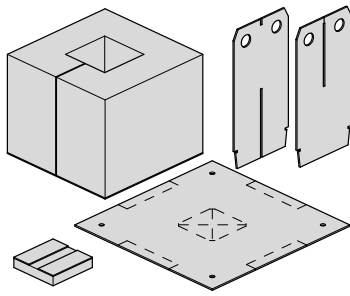
Plug the connectors into the power sockets. Then push the cable from above into the flexible wire cover. The lateral perforation of the flexible wire cover link can be pushed down.

**Close the lid**



Close the lid of the supply unit. The cable outlet remains open when the flexible wire cover is connected.

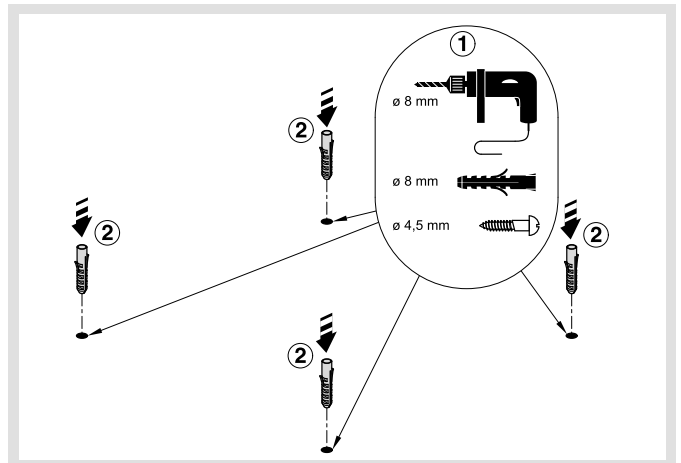
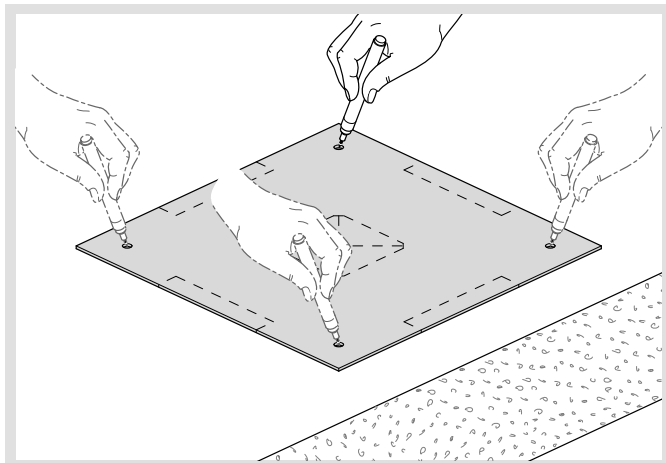
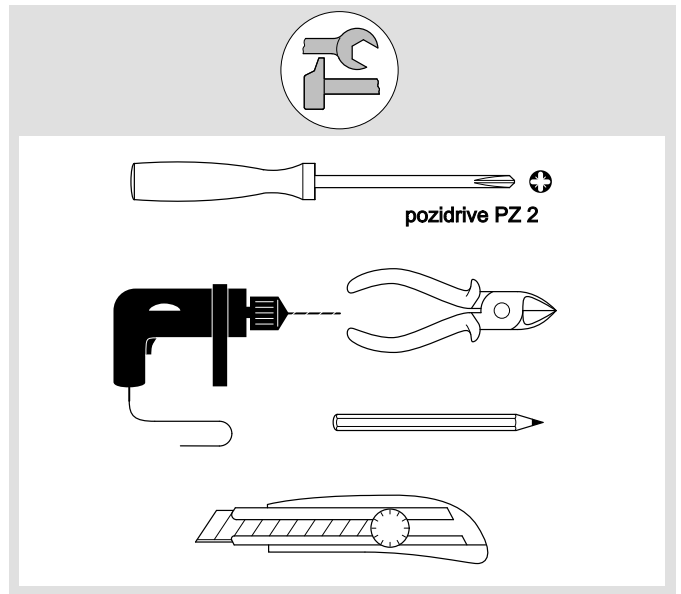
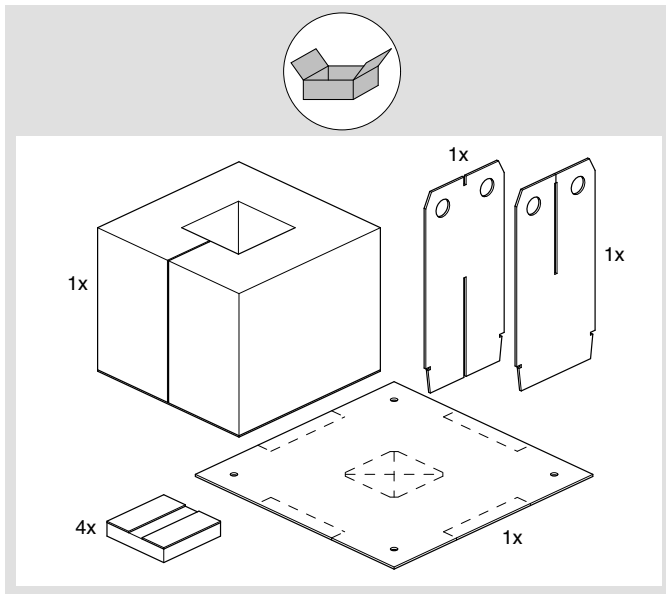
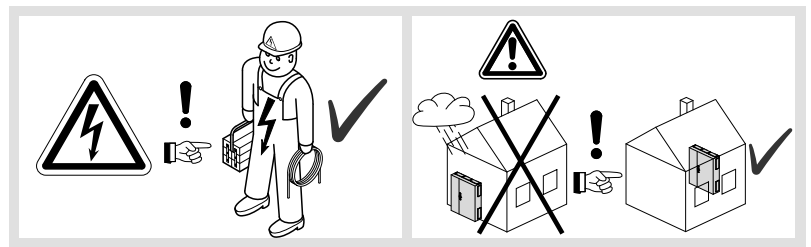
6LE000527A

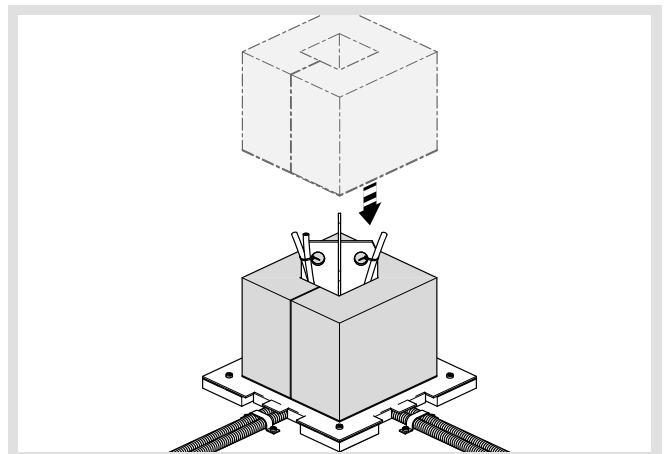
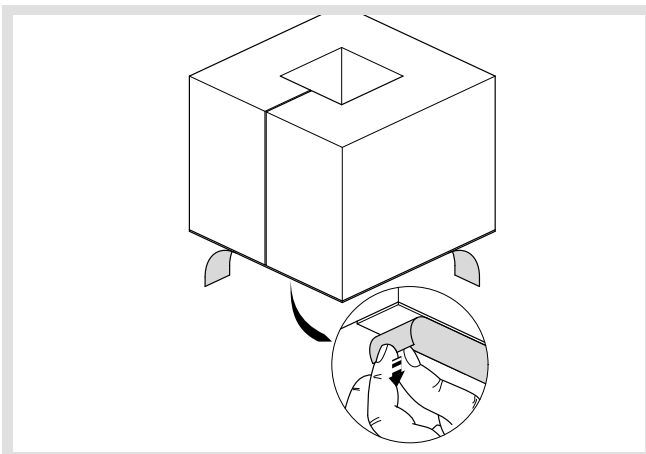
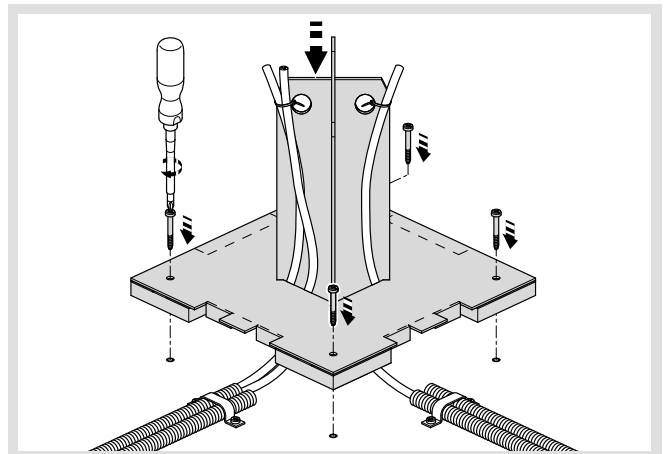
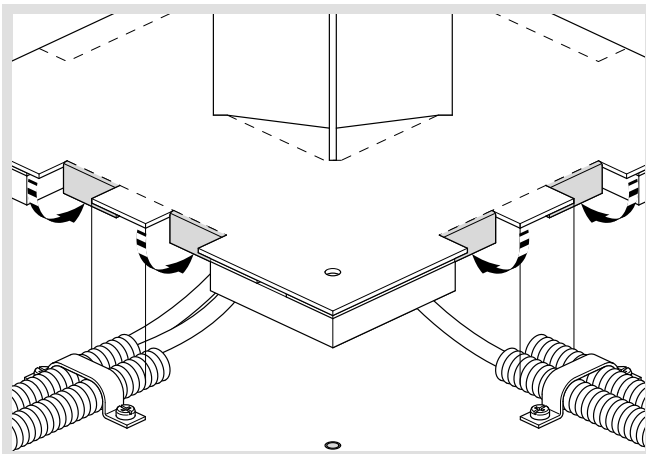
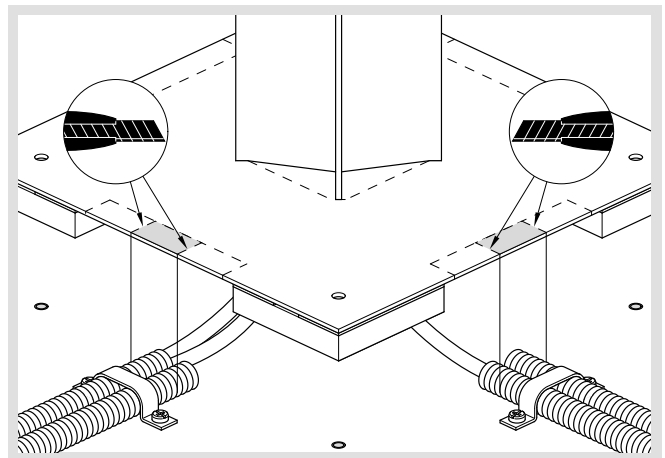
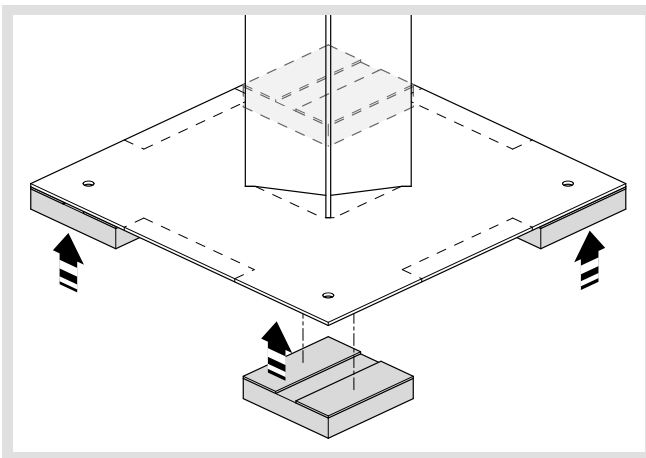
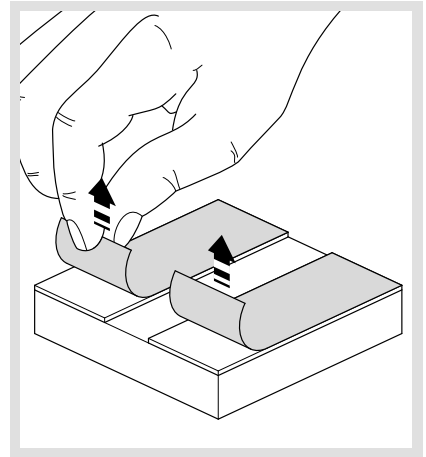
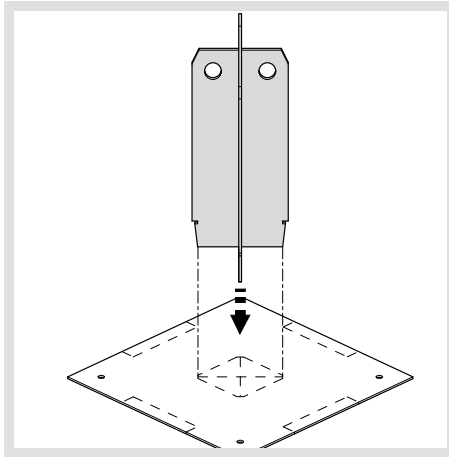
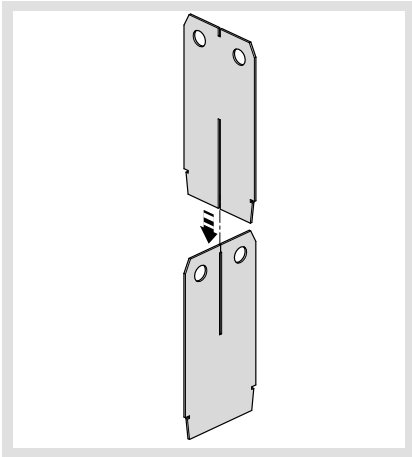


- (DE) Montageanleitung
- (FR) Notice d'instructions
- (GB) Mounting instructions
- (NL) Montage instructie
- (DK) Monteringsvejledning
- (FI) Asennusohje
- (NO) Montasjeanvisning
- (SE) Monterings instruktioner
- (IT) Istruzioni di montaggio
- (ES) Instrucciones de montaje
- (PT) Instruções de montagem
- (CZ) Montážní návod
- (BA) Uputstvo za montažu
- (UK) Інструкції з установки

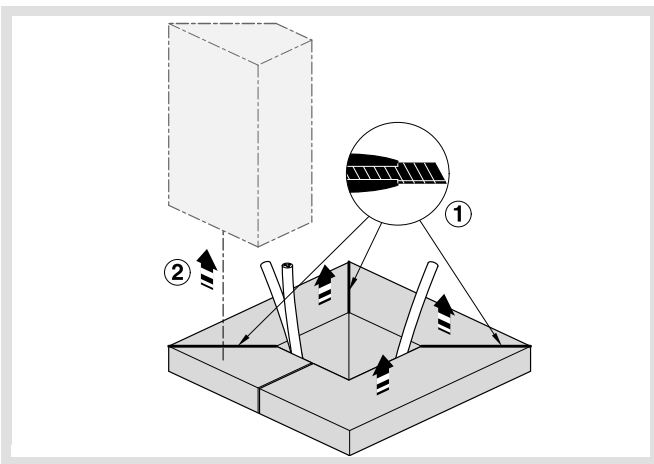
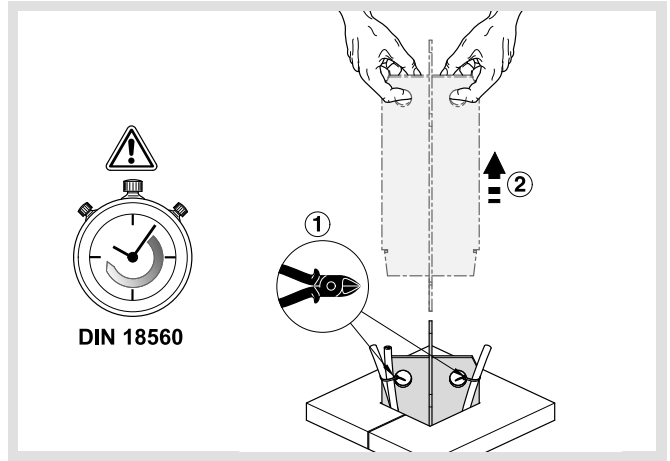
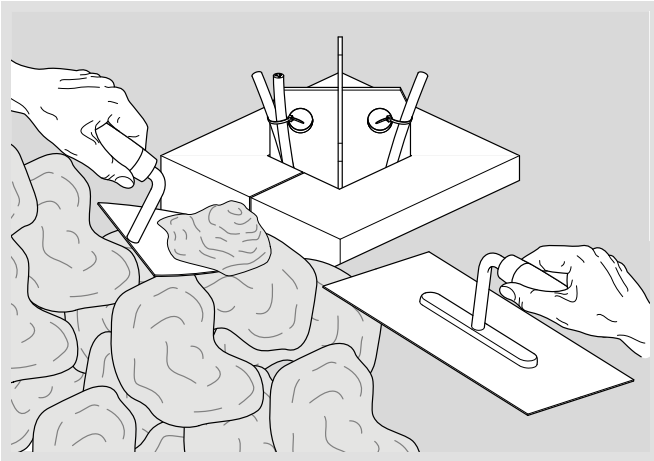
- (HR) Upute za montažu
- (HU) Szerelési útmutató
- (LT) Montavimo instrukcija
- (LV) Montāžas instrukcija
- (PL) Instrukcja montażowa
- (RO) Instrucțiuni de montare
- (SK) Návod na montáž
- (RU) Указания по установке
- (BG) Инструкции за монтаж
- (GR) Οδηγίες χώνευσης
- (SI) Navodilo za montažo
- (EE) Paigaldusjuhised
- (IS) Leiðbeiningar
- (AR) دليل التركيب

ERC

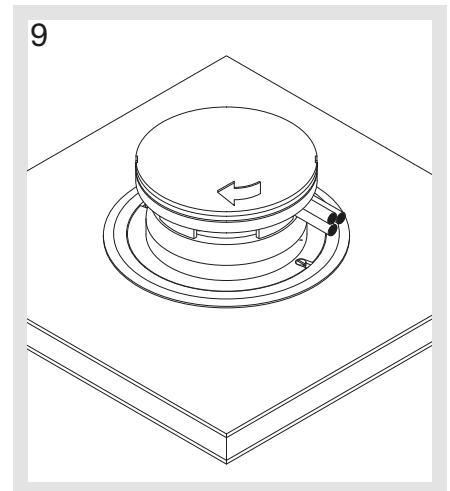
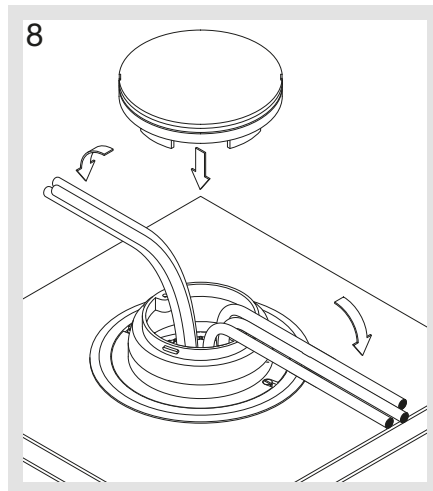
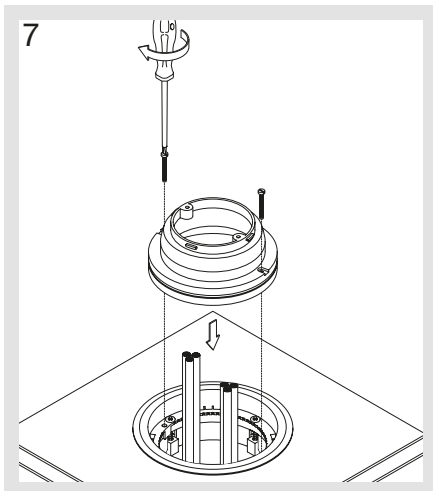
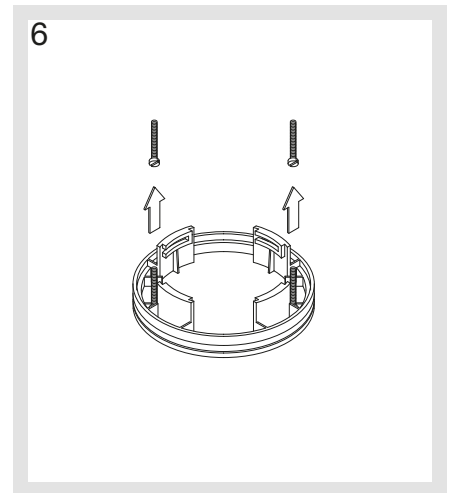
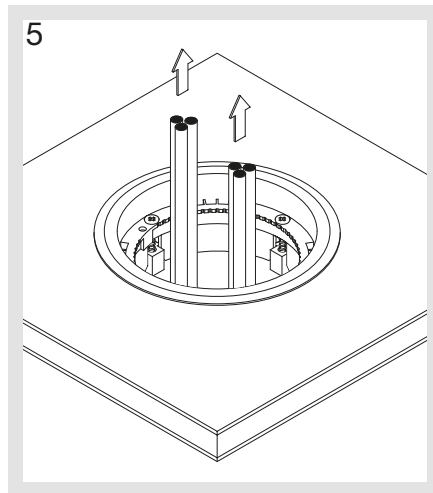
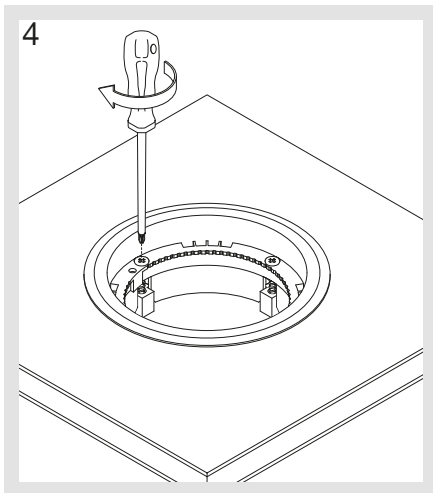
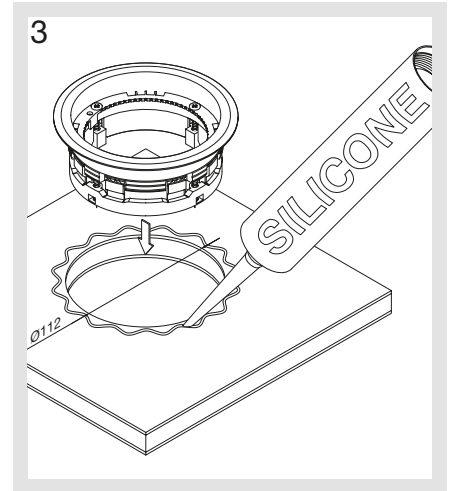
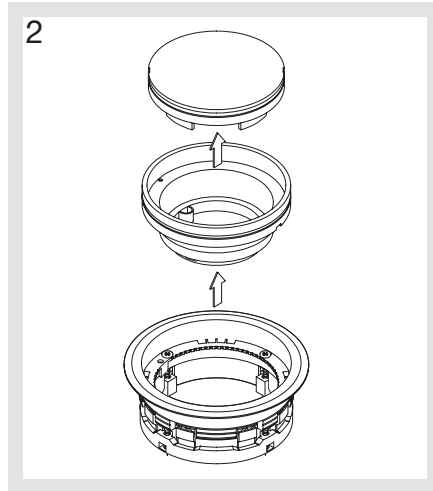
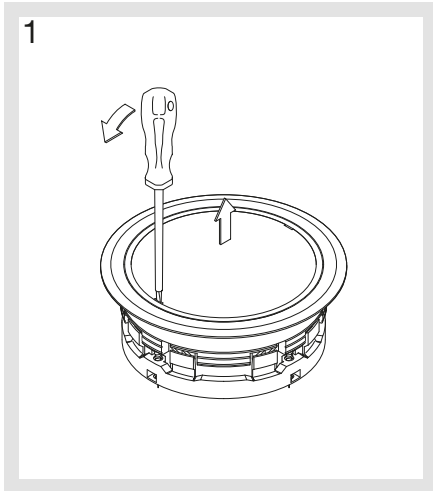




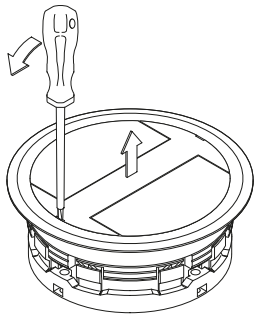
electraplan.DB-HB



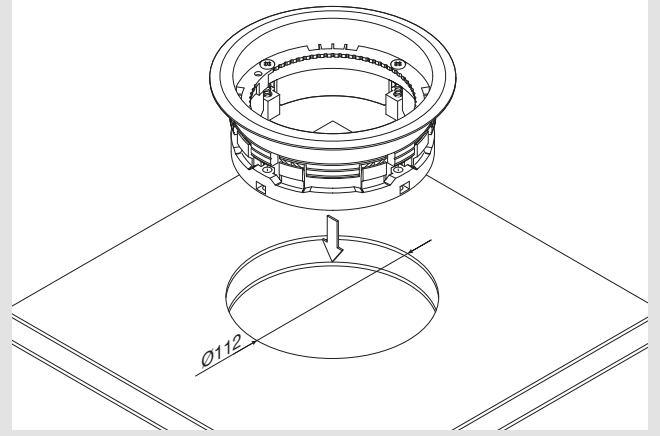
electraplan.DB-HB



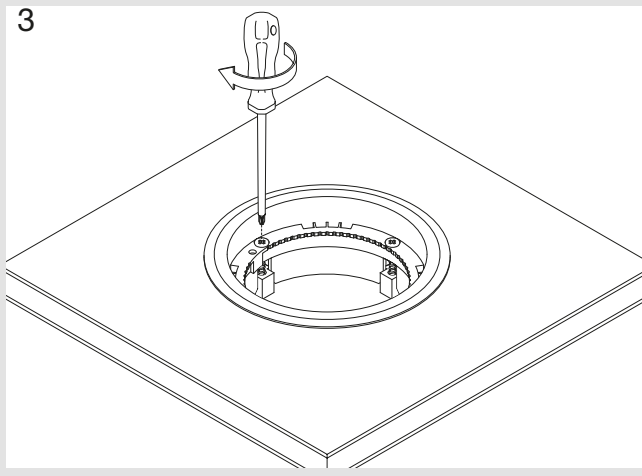
1



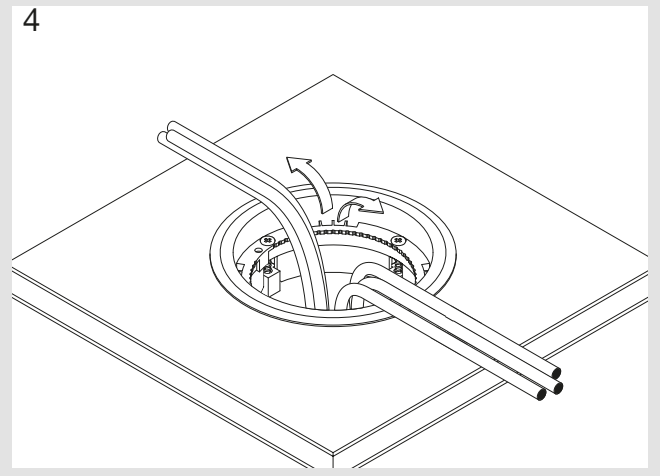
2



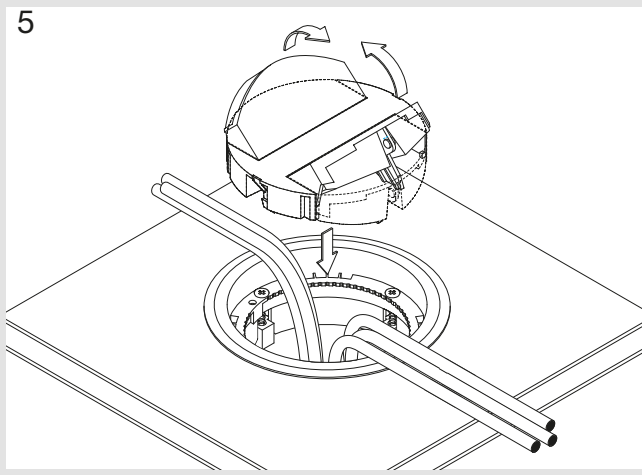
3



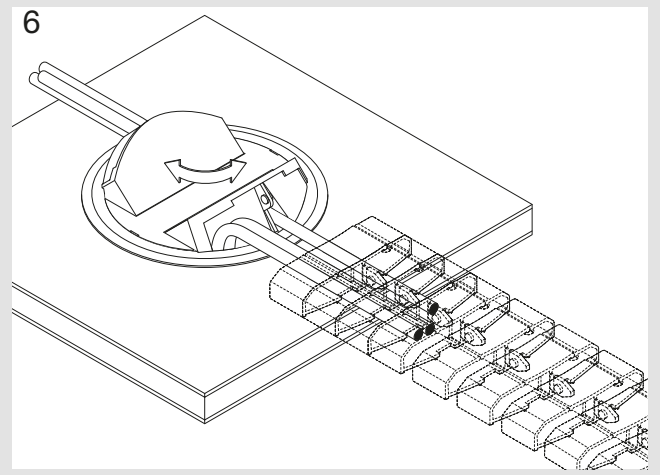
4



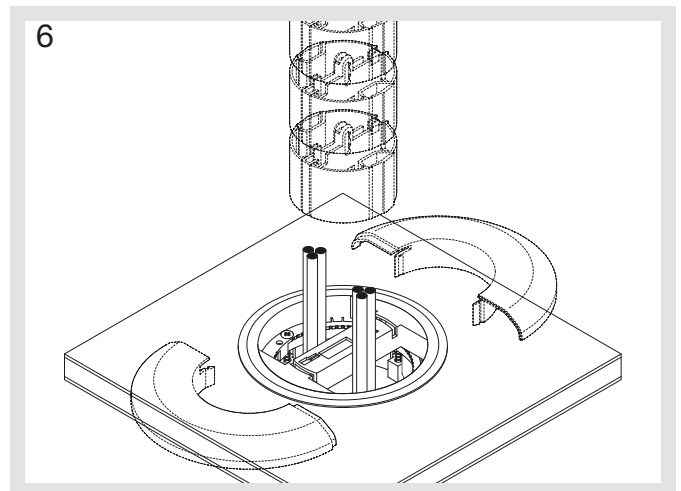
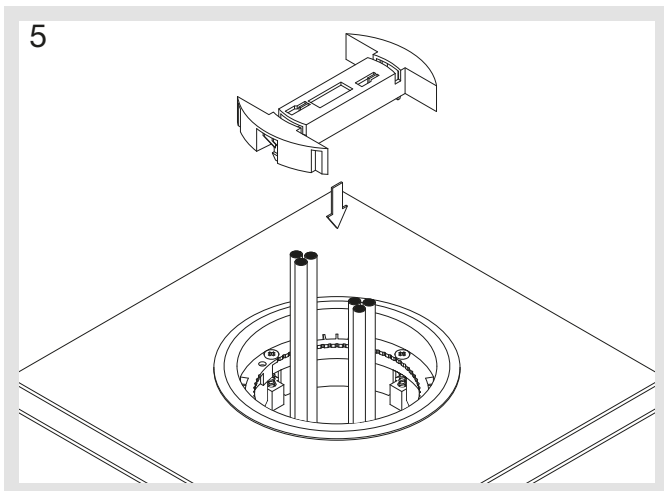
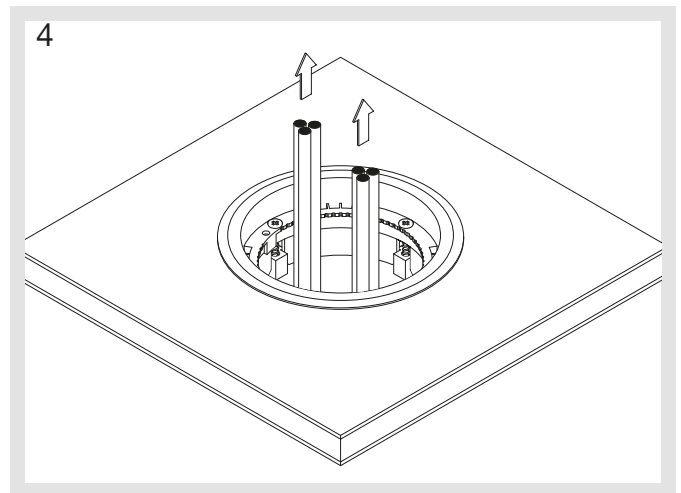
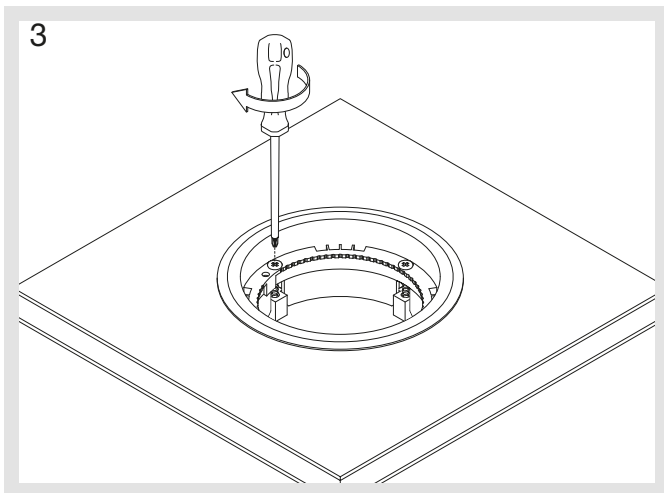
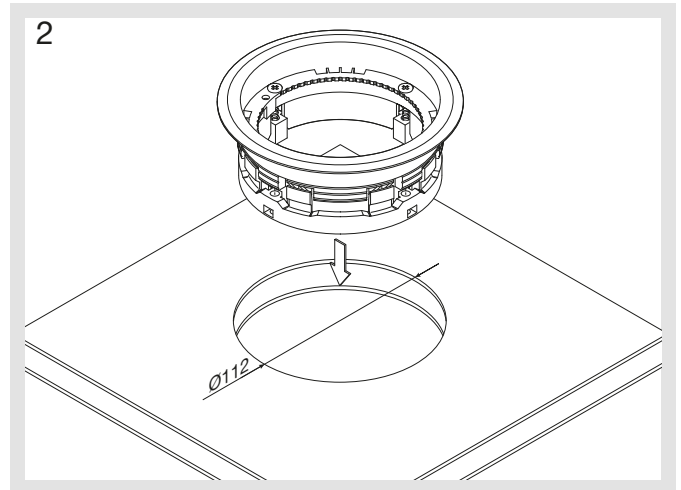
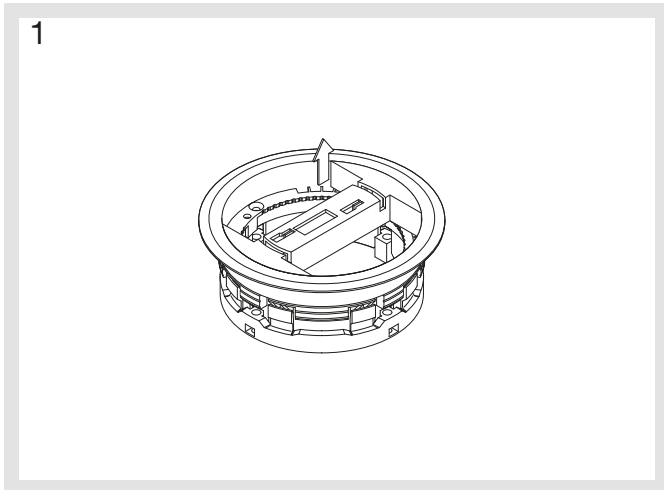
5

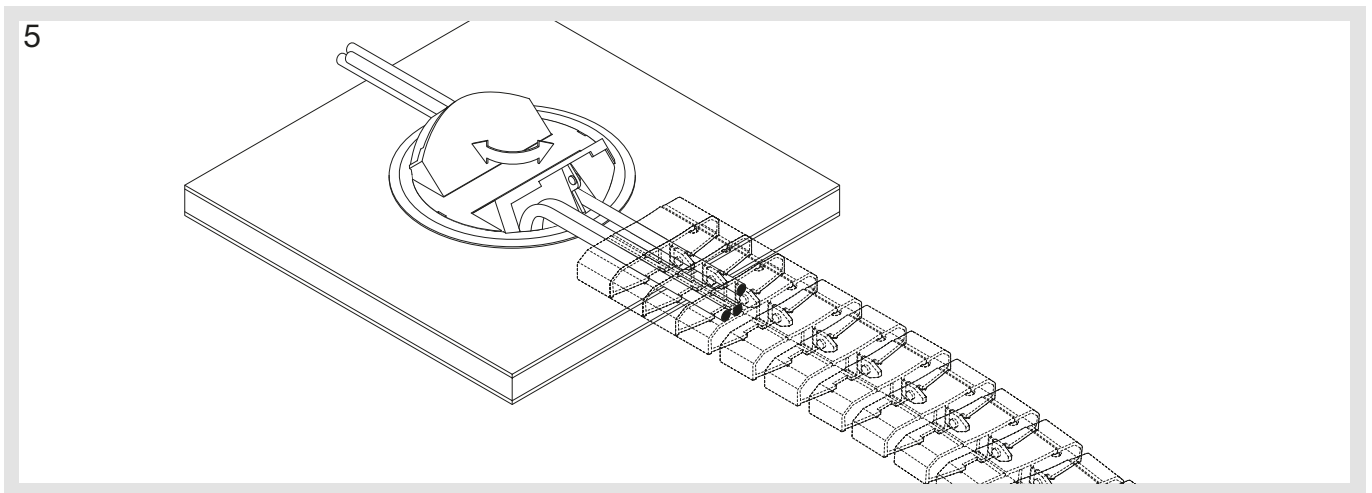
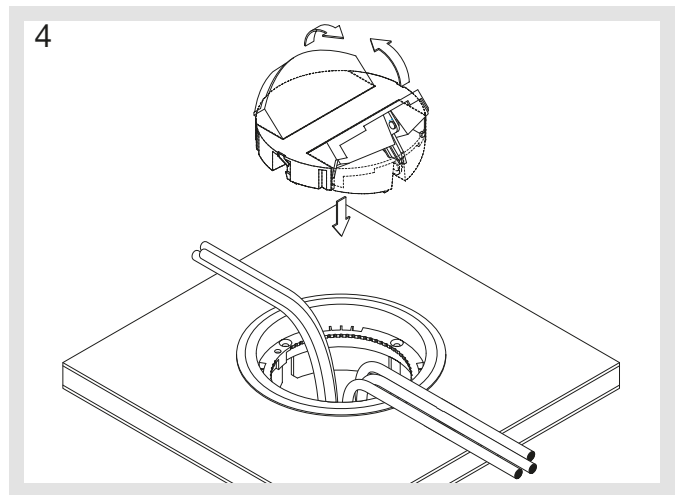
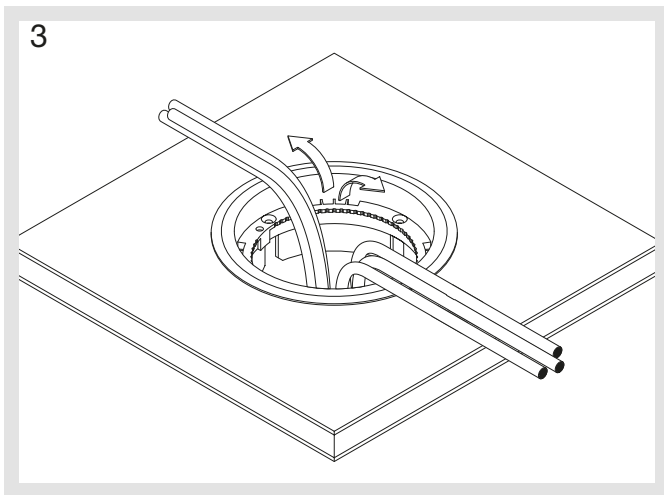
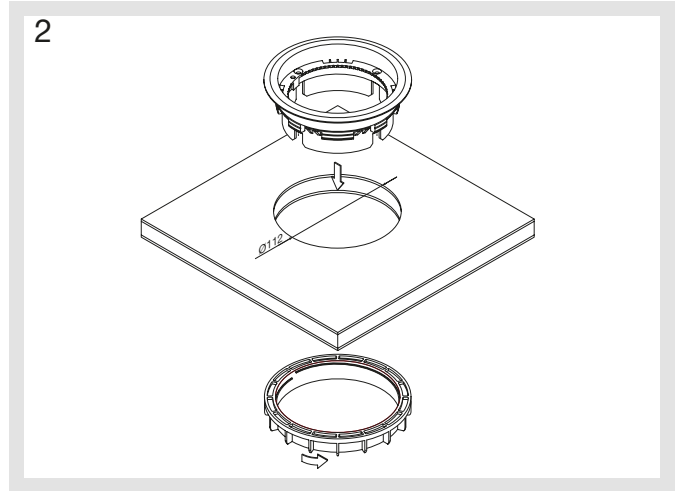
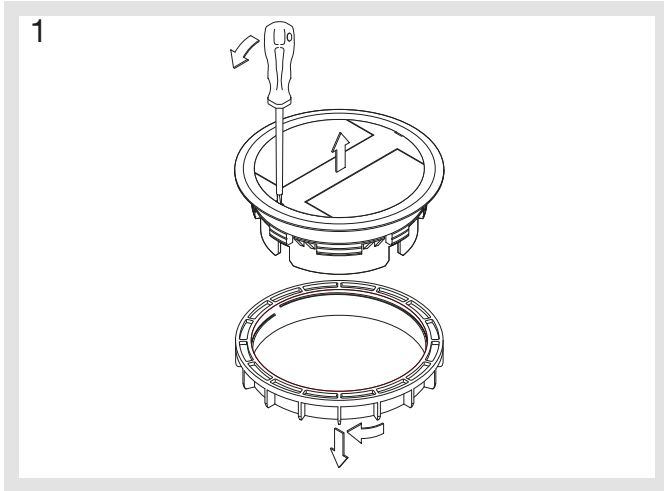


6











# Service units and installation units

## electraplan.VE-EE

A system of perfectly matched components

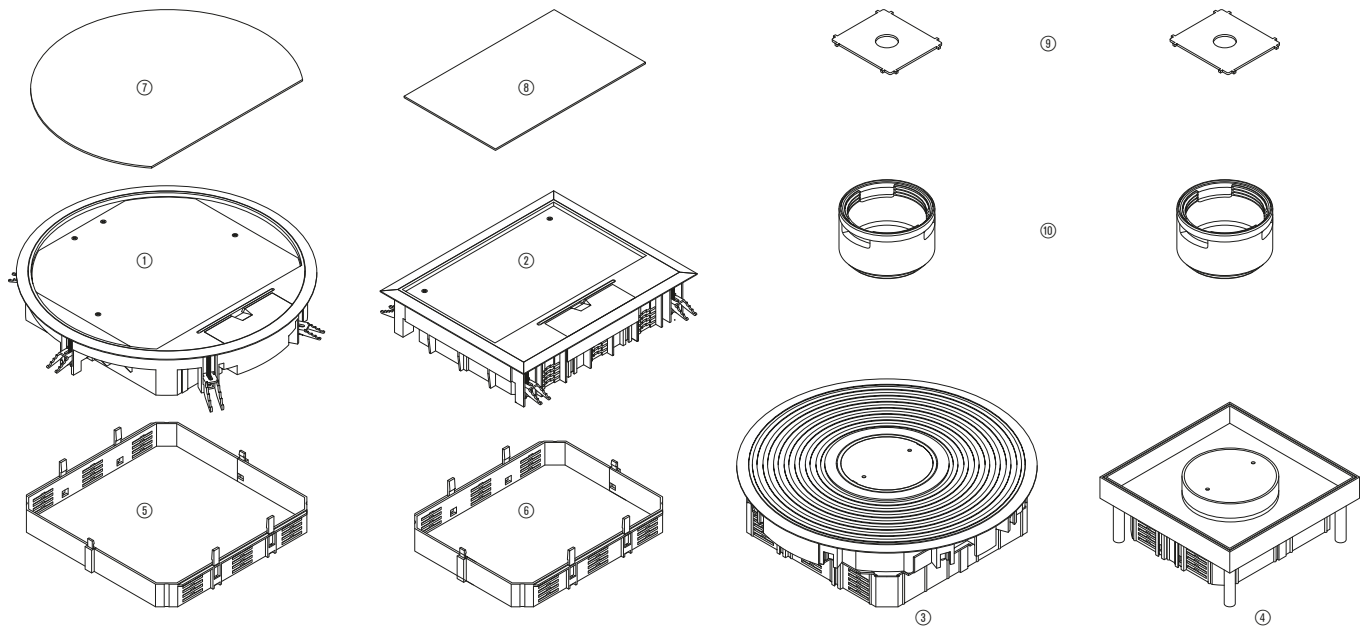
Different sizes, shapes, materials and colours for different heights. Device installation solutions from Hager are available in various designs: rectangular, square or round, for dry-cleaned or wet-cleaned floors, for loads from 1,500 to 20,000 N, in various colours and materials, for the most diverse applications and screed heights of 40 to 100 mm.

Of course, these products offer all benefits of Hager system engineering: One mounting kit is all you need to install any service unit into any Electraplan underfloor trunking systems from Hager. This makes ordering easier because all service units, except VANR12 for wet-cleaned floors, are fitted at the factory with this mounting kit. This means: minimal effort and maximum reliability when ordering!



electraplan.VE-EE

System overview	156	Installation units, pedestal boxes, accessories	175
Service units	157	Hinged covers and blank covers for ultra-low installation depths	178
Covers	161	Service units for wet-cleaned floors	181
Stainless-steel service units	164	Order number system	184
Installation units, height-adjustable stainless-steel cassettes, square	165	Technical information	187
Installation units, height-adjustable stainless-steel cassettes, round	166		
Installation units, height-adjustable stainless-steel cassettes, accessories	167		
Installation units, heavy-duty cassettes	168		
Installation units, heavy-duty cassettes, accessories	170		
Installation units, accessories, snap-in ladder extensions	171		
Junction boxes, accessories	172		
UD-ZuHause complete packages	173		
Installation units, floor socket	174		



**electraplan.VE-EE**

- ① Service unit VR12
- ② Service unit VE09
- ③ Service unit for wet-cleaned floors VANR12
- ④ Stainless-steel cassette Q06
- ⑤ Snap-in ladder extension RLV1230
- ⑥ Snap-in ladder extension RLVE0930
- ⑦ Cover inlay for service unit VR12
- ⑧ Cover inlay for service unit VE09
- ⑨ Pin wrench
- ⑩ Tube cable outlet

- Made of polyamide in accordance with DIN EN 50085-1 and -2-2 for dry rooms with dry-cleaned floors
  - With carpet frame for 5 or 12 mm flooring thickness
  - Universal mounting kit for installation in junction boxes, trunking systems, double floors or cavity floors
  - Minimum installation depth with 5 mm flooring recess: 70 mm
  - Minimum installation depth with 12 mm flooring recess: 77 mm
- Material**  
Polyamide

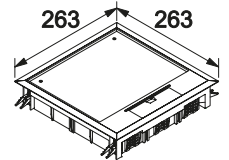
**Available colours**  
RAL 7011, iron grey  
RAL 9005, deep black



**Service unit VQ12**

**Properties:**

- For up to 12 installation devices in 3 device casings GTVR400, GBVR400, GTVD300
- Device casings can be lowered in increments down to 18 mm
- Including cable holder
- Outer dimensions: 263 x 263 mm
- Installation dimensions: 244 x 244 mm



VQ12057011

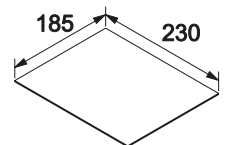
Designation	PU	Order no.
Service unit Q12 f 5mm flooring eg	4	<b>VQ12057011</b>
Service unit Q12 f 5mm flooring ts	4	<b>VQ12059005</b>
Service unit Q12 f 12mm flooring eg	3	<b>VQ12127011</b>
Service unit Q12 f 12mm flooring ts	3	<b>VQ12129005</b>



**Cover inlay for service unit VQ12**

**Properties:**

- Cover inlay made of cardboard to serve as spacer between cover and flooring
- Dimensions: 185.3 x 230 mm
- Material thickness: 1 mm - P1  
2 mm - P2



VEDEQ12P1

Designation	PU	Order no.
Cover inlay made of cardboard for VQ12 1mm	300	<b>VEDEQ12P1</b>
Cover inlay made of cardboard for VQ12 2mm	300	<b>VEDEQ12P2</b>

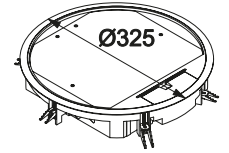


VR12057011

**Service unit VR12**

**Properties:**

- For up to 12 installation devices in 3 device casings GTVR400, GBVR400, GTVD300
- Device casings can be lowered in increments down to 18 mm
- Including cable holder
- Outer dimensions: Ø 325 mm
- Installation dimensions: Ø 306 mm



Designation	PU	Order no.
Service unit R12 f 5mm flooring eg	4	<b>VR12057011</b>
Service unit R12 f 5mm flooring ts	4	<b>VR12059005</b>
Service unit R12 f 12mm flooring eg	3	<b>VR12127011</b>
Service unit R12 f 12mm flooring ts	3	<b>VR12129005</b>

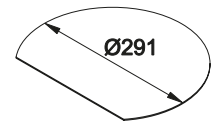


VEDER12P1

**Cover inlay for service unit VR12**

**Properties:**

- Cover inlay made of cardboard to serve as spacer between cover and flooring
- Dimensions: Ø 291 mm
- Material thickness: 1 mm - P1  
2 mm - P2



Designation	PU	Order no.
Cover inlay made of cardboard for VR12 1mm	300	<b>VEDER12P1</b>
Cover inlay made of cardboard for VR12 2mm	300	<b>VEDER12P2</b>

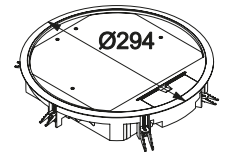


VR10057011

**Service unit VR10**

**Properties:**

- For up to 10 installation devices in 3 device casings
- 1 x device casing GTVR400, GBVR400, GTVD300 (centre) and 2 x device casing GTVR300, GBVR300, GTVD200 (left and right)
- Device casings can be lowered in increments down to 18 mm
- Including cable holder
- Outer dimensions: Ø 294 mm
- Installation dimensions: Ø 275 mm



Designation	PU	Order no.
Service unit R10 f 5mm flooring eg	4	<b>VR10057011</b>
Service unit R10 f 5mm flooring ts	4	<b>VR10059005</b>
Service unit R10 f 12mm flooring eg	3	<b>VR10127011</b>
Service unit R10 f 12mm flooring ts	3	<b>VR10129005</b>

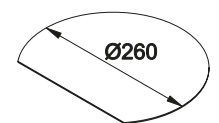


VEDER10P1

**Cover inlay for service unit VR10**

**Properties:**

- Cover inlay made of cardboard to serve as spacer between cover and flooring
- Dimensions: Ø 260 mm
- Material thickness: 1 mm - P1  
2 mm - P2



Designation	PU	Order no.
Cover inlay made of cardboard for VR10 1mm	300	<b>VEDER10P1</b>
Cover inlay made of cardboard for VR10 2mm	300	<b>VEDER10P2</b>

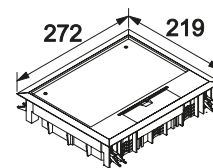




**Service unit VE09**

**Properties:**

- For up to 9 installation devices in 3 device casings GTVR300, GBVR300, GTVD200
- Device casings can be lowered in increments down to 18 mm
- Including cable holder
- Outer dimensions: 219 x 272 mm
- Installation dimensions: 200 x 253 mm



VE09057011

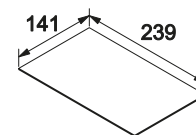
Designation	PU	Order no.
Service unit E09 f 5mm flooring eg	6	<b>VE09057011</b>
Service unit E09 f 5mm flooring ts	6	<b>VE09059005</b>
Service unit E09 f 12mm flooring eg	5	<b>VE09127011</b>
Service unit E09 f 12mm flooring ts	5	<b>VE09129005</b>



**Cover inlay for service unit VE09**

**Properties:**

- Cover inlay made of cardboard to serve as spacer between cover and flooring
- Dimensions: 141.3 x 239 mm
- Material thickness: 1 mm - P1  
2 mm - P2



VEDEE09P1

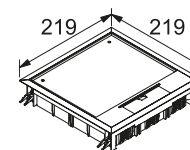
Designation	PU	Order no.
Cover inlay made of cardboard for VE09 1mm	300	<b>VEDEE09P1</b>
Cover inlay made of cardboard for VE09 2mm	300	<b>VEDEE09P2</b>



**Service unit VQ06**

**Properties:**

- For up to 6 installation devices in 2 device casings GTVR300, GBVR300, GTVD200
- Device casings can be lowered in increments down to 18 mm
- Including cable holder
- Outer dimensions: 219 x 219 mm
- Installation dimensions: 200 x 200 mm



VQ06057011

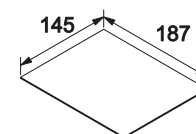
Designation	PU	Order no.
Service unit Q06 f 5mm flooring eg	7	<b>VQ06057011</b>
Service unit Q06 f 5mm flooring ts	7	<b>VQ06059005</b>
Service unit Q06 f 12mm flooring eg	6	<b>VQ06127011</b>
Service unit Q06 f 12mm flooring ts	6	<b>VQ06129005</b>



**Cover inlay for service unit VQ06**

**Properties:**

- Cover inlay made of cardboard to serve as spacer between cover and flooring
- Dimensions: 145.3 x 187 mm
- Material thickness: 1 mm - P1  
2 mm - P2



VEDEQ06P1

Designation	PU	Order no.
Cover inlay made of cardboard for VQ06 1mm	300	<b>VEDEQ06P1</b>
Cover inlay made of cardboard for VQ06 2mm	300	<b>VEDEQ06P2</b>

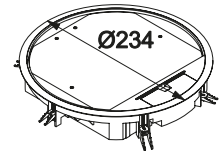


VR06057011

**Service unit VR06**

**Properties:**

- For up to 6 installation devices in 3 device casings GTVR300, GBVR300, GTVD200
- Device casings can be lowered in increments down to 18 mm
- Including cable holder
- Outer dimensions: Ø 234 mm
- Installation dimensions: Ø 215 mm



Designation	PU	Order no.
Service unit R06 f 5mm flooring eg	7	<b>VR06057011</b>
Service unit R06 f 5mm flooring ts	7	<b>VR06059005</b>
Service unit R06 f 12mm flooring eg	6	<b>VR06127011</b>
Service unit R06 f 12mm flooring ts	6	<b>VR06129005</b>

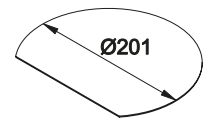


VEDER06P1

**Cover inlay for service unit VR06**

**Properties:**

- Cover inlay made of cardboard to serve as spacer between cover and flooring
- Dimensions: Ø 201 mm
- Material thickness: 1 mm - P1  
2 mm - P2



Designation	PU	Order no.
Cover inlay made of cardboard for VR06 1mm	300	<b>VEDER06P1</b>
Cover inlay made of cardboard for VR06 2mm	300	<b>VEDER06P2</b>

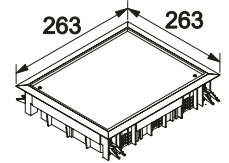
- Made of polyamide in accordance with DIN EN 50085-1 and -2-2 for dry rooms with dry-cleaned floors
  - With carpet frame for 5 or 12 mm flooring thickness
  - Universal mounting kit for installation in junction boxes, trunking systems, double floors or cavity floors
  - Minimum installation depth with 5 mm flooring recess: 60 mm
  - Minimum installation depth with: 12 mm flooring recess: 65 mm
- Material**  
Polyamide
- Available colours**  
RAL 7011, iron grey  
RAL 9005, deep black



VDQ12057011

**Cover VDQ12**

- Properties:**
- Outer dimension: 263 x 263 mm
  - Installation dimensions: 244 x 244 mm



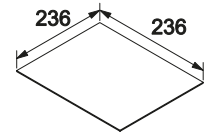
Designation	PU	Order no.
Cover Q12 f 5mm flooring eg	4	<b>VDQ12057011</b>
Cover Q12 f 5mm flooring ts	4	<b>VDQ12059005</b>
Cover Q12 f 12mm flooring eg	3	<b>VDQ12127011</b>
Cover Q12 f 12mm flooring ts	3	<b>VDQ12129005</b>



VDDEQ12P1

**Cover inlay for cover VDQ12**

- Properties:**
- Cover inlay made of cardboard to serve as spacer between cover and flooring
  - Dimensions: 236 x 236 mm
  - Material thickness: 1 mm - P1  
2 mm - P2



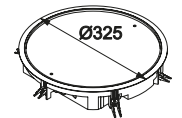
Designation	PU	Order no.
Cover inlay made of cardboard for VDQ12 1mm	300	<b>VDDEQ12P1</b>
Cover inlay made of cardboard for VDQ12 2mm	300	<b>VDDEQ12P2</b>



VDR12057011

**Cover VDR12**

- Properties:**
- Outer dimensions: Ø 325 mm
  - Installation dimensions: Ø 306 mm



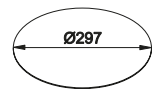
Designation	PU	Order no.
Cover R12 f 5mm flooring eg	4	<b>VDR12057011</b>
Cover R12 f 5mm flooring ts	4	<b>VDR12059005</b>
Cover R12 f 12mm flooring eg	3	<b>VDR12127011</b>
Cover R12 f 12mm flooring ts	3	<b>VDR12129005</b>



VDDER12P1

**Cover inlay for cover VDR12**

- Properties:**
- Cover inlay made of cardboard to serve as spacer between cover and flooring
  - Dimensions: Ø 297 mm
  - Material thickness: 1 mm - P1  
2 mm - P2



Designation	PU	Order no.
Cover inlay made of cardboard for VDR12 1mm	300	<b>VDDER12P1</b>
Cover inlay made of cardboard for VDR12 2mm	300	<b>VDDER12P2</b>

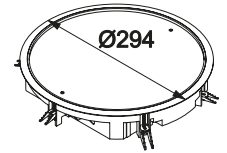


VDR10057011

**Cover VDR10**

**Properties:**

- Outer dimensions: Ø 294 mm
- Installation dimensions: Ø 275 mm



Designation	PU	Order no.
Cover R10 f 5mm flooring eg	4	<b>VDR10057011</b>
Cover R10 f 5mm flooring ts	4	<b>VDR10059005</b>
Cover R10 f 12mm flooring eg	3	<b>VDR10127011</b>
Cover R10 f 12mm flooring ts	3	<b>VDR10129005</b>

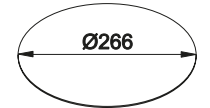


VDDER10P1

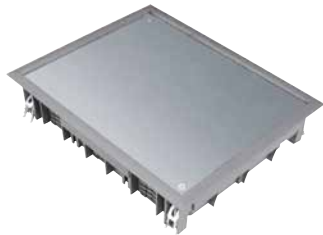
**Cover inlay for Cover VDR10**

**Properties:**

- Cover inlay made of cardboard to serve as spacer between cover and flooring
- Dimensions: Ø 266 mm
- Material thickness: 1 mm - P1  
2 mm - P2



Designation	PU	Order no.
Cover inlay made of cardboard for VDR10 1mm	300	<b>VDDER10P1</b>
Cover inlay made of cardboard for VDR10 2mm	300	<b>VDDER10P2</b>

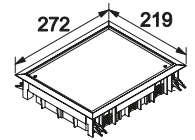


VDE09057011

**Cover VDE09**

**Properties:**

- Outer dimension: 219 x 272 mm
- Installation dimensions: 200 x 253 mm



Designation	PU	Order no.
Cover E09 f 5mm flooring eg	6	<b>VDE09057011</b>
Cover E09 f 5mm flooring ts	6	<b>VDE09059005</b>
Cover E09 f 12mm flooring eg	5	<b>VDE09127011</b>
Cover E09 f 12mm flooring ts	5	<b>VDE09129005</b>

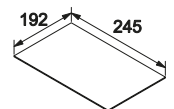


VDDEE09P1

**Cover inlay for Cover VDE09**

**Properties:**

- Cover inlay made of cardboard to serve as spacer between cover and flooring
- Dimensions: 192 x 245 mm
- Material thickness: 1 mm - P1  
2 mm - P2



Designation	PU	Order no.
Cover inlay made of cardboard for VDE09 1mm	300	<b>VDDEE09P1</b>
Cover inlay made of cardboard for VDE09 2mm	300	<b>VDDEE09P2</b>

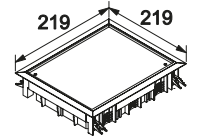


VEQ06057011

**Cover VEQ06**

**Properties:**

- Outer dimension: 219 x 219 mm
- Installation dimensions: 200 x 200 mm



Designation	PU	Order no.
Cover Q06 f 5mm flooring eg	7	<b>VEQ06057011</b>
Cover Q06 f 5mm flooring ts	7	<b>VEQ06059005</b>
Cover Q06 f 12mm flooring eg	6	<b>VEQ06127011</b>
Cover Q06 f 12mm flooring ts	6	<b>VEQ06129005</b>

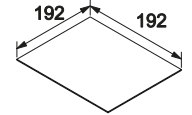


VEDEQ06P1

**Cover inlay for Cover VEQ06**

**Properties:**

- Cover inlay made of cardboard to serve as spacer between cover and flooring
- Dimensions: 192 x 192 mm
- Material thickness: 1 mm - P1  
2 mm - P2



Designation	PU	Order no.
Cover inlay made of cardboard for VEQ06 1mm	300	<b>VEDEQ06P1</b>
Cover inlay made of cardboard for VEQ06 2mm	300	<b>VEDEQ06P2</b>

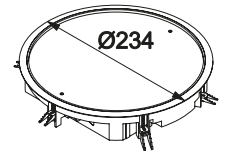


VDR06057011

**Cover VDR06**

**Properties:**

- Outer dimensions: Ø 234
- Installation dimensions: Ø 215 mm



Designation	PU	Order no.
Cover R06 f 5mm flooring eg	7	<b>VDR06057011</b>
Cover R06 f 5mm flooring ts	7	<b>VDR06059005</b>
Cover R06 f 12mm flooring eg	6	<b>VDR06127011</b>
Cover R06 f 12mm flooring ts	6	<b>VDR06129005</b>



VDDER06P1

**Cover inlay for Cover VDR06**

**Properties:**

- Cover inlay made of cardboard to serve as spacer between cover and flooring
- Dimensions: Ø 207 mm
- Material thickness: 1 mm - P1  
2 mm - P2



Designation	PU	Order no.
Cover inlay made of cardboard for VDR06 1mm	300	<b>VDDER06P1</b>
Cover inlay made of cardboard for VDR06 2mm	300	<b>VDDER06P2</b>

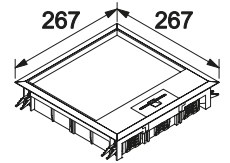
- Stainless-steel service units
  - Made of stainless steel in accordance with DIN EN 60670-1 for dry rooms with dry-cleaned floors
  - With carpet frame for 12 mm flooring thickness
  - Universal mounting kit for installation in junction boxes,
- trunking systems, double floors or cavity floors
- Minimum installation depth with 12 mm flooring recess: 77 mm
- Material**  
Stainless steel

**Service unit VQ12 made of stainless steel**



**Properties:**

- For up to 12 installation devices in 3 device casings GTVR400, GBVR400, GTVD300
- Device casings can be lowered in increments down to 18 mm
- Outer dimensions: 267 x 267 mm
- Installation dimensions: 244 x 244 mm



VEQ1212E

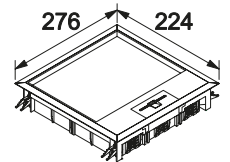
Designation	PU	Order no.
Service unit Q12 made of stainless steel	1	<b>VEQ1212E</b>

**Service unit VE09 made of stainless steel**



**Properties:**

- For up to 9 installation devices in 3 device casings GTVR300, GBVR300, GTVD200
- Device casings can be lowered in increments down to 18 mm
- Outer dimensions: 224 x 276 mm
- Installation dimensions: 200 x 253 mm



VEE0912E

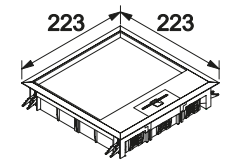
Designation	PU	Order no.
Service unit E09 made of stainless steel	1	<b>VEE0912E</b>

**Service unit VQ06 made of stainless steel**



**Properties:**

- For up to 6 installation devices in 2 device casings GTVR300, GBVR300, GTVD200
- Device casings can be lowered in increments down to 18 mm
- Outer dimensions: 223 x 223 mm
- Installation dimensions: 200 x 200 mm



VEQ0612E

Designation	PU	Order no.
Service unit Q06 made of stainless steel	1	<b>VEQ0612E</b>

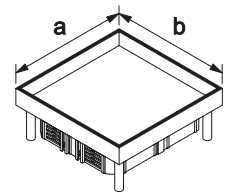
- Height-adjustable stainless-steel cassettes for dry-cleaned and wet-cleaned floors
  - Load-bearing capacity in accordance with DIN EN 60670-1, -23 up to 1500 N
  - Two variants:
  - Q06: Installation opening: 200 x 200 mm for up to 6 installation devices in 2 device casings GTVR300, GBVR300 or GTVD200
  - Q12: Installation opening: 244 x 244 mm for up to 12 installation devices in 3 device casings GTVR400, GBVR400 or GTVD300
  - Device casings can be lowered in increments down to 18 mm
  - Also fits a snap-in ladder extension
  - Two cassette heights:
    - 1: Cassette height 23 mm inside, 28 mm outside
    - 2: Cassette height 38 mm inside, 43 mm outside
  - Minimum installation depth from top edge of finished floor: 100 x 115 mm
- Material**  
Stainless steel

**Note**  
Order one levelling set EKNS per cassette as an option



EKQ0600BL1

**Height-adjustable stainless-steel cassette, blank, square, for wet-cleaned floors**



Designation	a [mm]	b [mm]	PU	Order no.
Stainless-steel cassette Q06 BL outer height 28mm	200	200	1	<b>EKQ0600BL1</b>
Stainless-steel cassette Q06 BL outer height 43mm	200	200	1	<b>EKQ0600BL2</b>
Stainless-steel cassette Q12 BL outer height 28mm	244	244	1	<b>EKQ1200BL1</b>
Stainless-steel cassette Q12 BL outer height 43mm	244	244	1	<b>EKQ1200BL2</b>

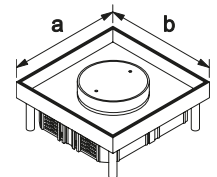


EKQ0600TM1

**Height-adjustable stainless-steel cassette, with tube mounting set, square, for wet-cleaned floors**

**Properties:**

- The tube cable outlet is not included in the supply



Designation	a [mm]	b [mm]	PU	Order no.
Stainless-steel cassette Q06 TM outer height 28mm	200	200	1	<b>EKQ0600TM1</b>
Stainless-steel cassette Q06 TM outer height 43mm	200	200	1	<b>EKQ0600TM2</b>
Stainless-steel cassette Q12 TM outer height 28mm	244	244	1	<b>EKQ1200TM1</b>
Stainless-steel cassette Q12 TM outer height 43mm	244	244	1	<b>EKQ1200TM2</b>

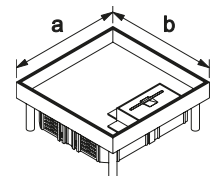


EKQ0600LE1

**Height-adjustable stainless-steel cassette with cable outlet, square, for wet-cleaned floors**

**Properties:**

- Cable outlet variant: rectangular (LE)



Designation	a [mm]	b [mm]	PU	Order no.
Stainless-steel cassette Q06 LE outer height 28mm	200	200	1	<b>EKQ0600LE1</b>
Stainless-steel cassette Q06 LE outer height 43mm	200	200	1	<b>EKQ0600LE2</b>
Stainless-steel cassette Q12 LE outer height 28mm	244	244	1	<b>EKQ1200LE1</b>
Stainless-steel cassette Q12 LE outer height 43mm	244	244	1	<b>EKQ1200LE2</b>

- Height-adjustable stainless-steel cassettes for dry-cleaned and wet-cleaned floors
- Load-bearing capacity in accordance with DIN EN 60670-1, -23: up to 1500 N
- Two variants:
- R06: Installation opening: Ø 215 mm for up to 6 installation devices in 2 device casings GTVR300, GBVR300 or GTVD200
- R12: Installation opening: Ø 306 mm for up to 12 installation devices in 3 device casings GTVR400, GBVR400 or GTVD300
- Device casings can be lowered in increments down to 18 mm
- Also fits a snap-in ladder extension
- Two cassette heights:
  - 1: Cassette height 23 mm inside, 28 mm outside
  - 2: Cassette height 38 mm inside, 43 mm outside
- Minimum installation depth from top edge of finished floor: 100 x 115 mm

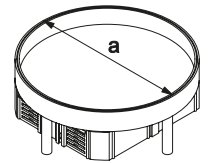
**Note**  
Order one levelling set for cassettes EKNS per cassette as an option

**Material**  
Stainless steel



EKR0600BL1

**Height-adjustable stainless-steel cassette, blank, round, for wet-cleaned floors**



Designation	a [mm]	PU	Order no.
Stainless-steel cassette R06 BL outer height 28mm	215	1	<b>EKR0600BL1</b>
Stainless-steel cassette R06 BL outer height 43mm	215	1	<b>EKR0600BL2</b>
Stainless-steel cassette R12 BL outer height 28mm	306	1	<b>EKR1200BL1</b>
Stainless-steel cassette R12 BL outer height 43mm	306	1	<b>EKR1200BL2</b>

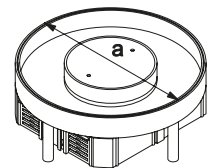


EKR0600TM1

**Height-adjustable stainless-steel cassette, with tube mounting set, round, for wet-cleaned floors**

**Properties:**

- The tube cable outlet is not included in the supply



Designation	a [mm]	PU	Order no.
Stainless-steel cassette R06 TM outer height 28mm	215	1	<b>EKR0600TM1</b>
Stainless-steel cassette R06 TM outer height 43mm	215	1	<b>EKR0600TM2</b>
Stainless-steel cassette R12 TM outer height 28mm	306	1	<b>EKR1200TM1</b>
Stainless-steel cassette R12 TM outer height 43mm	306	1	<b>EKR1200TM2</b>

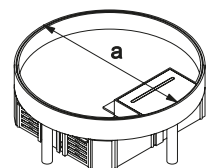


EKR0600LE1

**Height-adjustable stainless-steel cassette with square cable outlet for dry-cleaned floors**

**Properties:**

- Cable outlet variant: rectangular (LE)



Designation	a [mm]	PU	Order no.
Stainless-steel cassette R06 LE outer height 28mm	215	1	<b>EKR0600LE1</b>
Stainless-steel cassette R06 LE outer height 43mm	215	1	<b>EKR0600LE2</b>
Stainless-steel cassette R12 LE outer height 28mm	306	1	<b>EKR1200LE1</b>
Stainless-steel cassette R12 LE outer height 43mm	306	1	<b>EKR1200LE2</b>





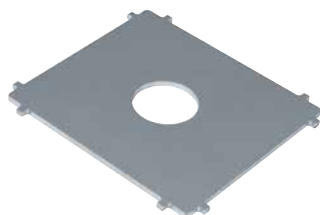
TULAA105

**Tube cable outlet**

**Properties:**

- Floor-protruding cable outlet made of aluminium
- Without tube blank lid
- Outer diameter: 105 mm
- Inner diameter: 80 mm
- Material: Aluminium, naturally anodised

Designation	PU	Order no.
Tube cable outlet, aluminium w/o cover	1	<b>TULAA105</b>



TUSS000

**Pin wrench**

**Properties:**

- For removal and installation of tube blank lid

Designation	PU	Order no.
Pin wrench for tube blank lid	1	<b>TUSS000</b>



EKNS075

**Levelling set for cassette cover**

**Properties:**

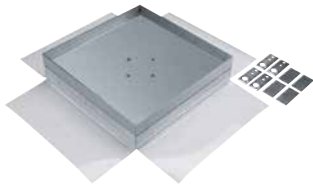
- Comprises 4 x studs M8, 4 x lock nuts M8, 4 x foot retainers
- Levelling range relates to top edge of finished floor

Designation	PU	Order no.
Levelling set f stainless-steel cass. 100-150mm	1	<b>EKNS075</b>
Levelling set f stainless-steel cass. 145-195mm	1	<b>EKNS120</b>
Levelling set f stainless-steel cass. 190-240mm	1	<b>EKNS165</b>

- Stand-alone, robust under-floor junction box system with traversable cassette cover, for dry rooms with dry-cleaned or wet-cleaned floors
- Maximum load-bearing capacity: 20 kN
- The minimum installation height of this cassette is 100 mm, plus the height of the trunking connected

**Material**  
Stainless steel / steel

**Note**  
Order one levelling set for cassettes EKSNS per cassette as an option

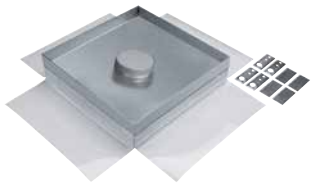


**Heavy-duty cassette Q405 blank**

- Properties:**
- Outer dimension: 405 x 405 mm
  - Cassette cover outer dimension: 44 mm
  - Cassette cover inner dimension: 28 mm

EKSQ405BL

Designation	PU	Order no.
Stainless-steel cassette Q405 blank 20 kN	1	<b>EKSQ405BL</b>

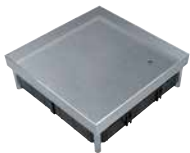


**Heavy-duty cassette Q405 with tube mounting set**

- Properties:**
- Outer dimension: 405 x 405 mm
  - Cassette cover outer dimension: 44 mm
  - Cassette cover inner dimension: 28 mm
  - A snap-in latching rail is required in order to use installation devices
  - The snap-in latching rail accepts up to 12 installation devices in 3 device casings

EKSQ405TM

Designation	PU	Order no.
Heavy-duty cassette with tube mounting Q405 28/44 mm	1	<b>EKSQ405TM</b>

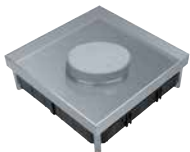


**Heavy-duty cassette Q12 blank**

- Properties:**
- Outer dimension: 243 x 234 mm
  - Cassette cover outer dimension: 38 mm
  - Cassette cover inner dimension: 23 mm

EKSQ1220BL

Designation	PU	Order no.
Stainless-steel cassette Q12 blank 20 kN	1	<b>EKSQ1220BL</b>



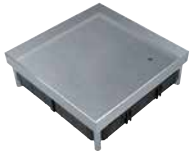
**Heavy-duty cassette Q12 with tube mounting set**

- Properties:**
- Outer dimension: 243 x 234 mm
  - Cassette cover outer dimension: 38 mm
  - Cassette cover inner dimension: 23 mm
  - Fitting installation devices requires a snap-in latching rail
  - The snap-in latching rail accepts up to 12 installation devices in 3 device casings

EKSQ1220TM

Designation	PU	Order no.
Stainless-steel cassette Q12 TM 20 kN	1	<b>EKSQ1220TM</b>

electraplan.VE-EE



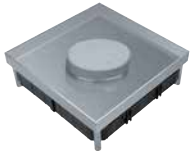
EKSQ0620BL

**Heavy-duty cassette Q06 blank**

**Properties:**

- Outer dimension: 200 x 200 mm
- Cassette cover outer dimension: 34 mm
- Cassette cover inner dimension: 23 mm

Designation	PU	Order no.
Stainless-steel cassette Q06 blank 20 kN	1	<b>EKSQ0620BL</b>



EKSQ0620TM

**Heavy-duty cassette Q06 with tube mounting set**

**Properties:**

- Outer dimension: 200 x 200 mm
- Cassette cover outer dimension: 34 mm
- Cassette cover inner dimension: 23 mm
- Fitting installation devices requires a snap-in latching rail
- The snap-in latching rail accepts up to 6 installation devices in 2 device casings

Designation	PU	Order no.
Stainless-steel cassette Q06 TM 20 kN	1	<b>EKSQ0620TM</b>



EKSR1220BL

**Heavy-duty cassette R12 blank**

**Properties:**

- Outer dimension: Ø 305 mm
- Cassette cover outer dimension: 38 mm
- Cassette cover inner dimension: 23 mm

Designation	PU	Order no.
Stainless-steel cassette R12 blank 20 kN	1	<b>EKSR1220BL</b>



EKSR1220TM

**Heavy-duty cassette R12 with tube mounting set**

**Properties:**

- Outer dimension: Ø 305 mm
- Cassette cover outer dimension: 38 mm
- Cassette cover inner dimension: 23 mm
- Fitting installation devices requires a snap-in latching rail
- The snap-in latching rail accepts up to 12 installation devices in 3 device casings

Designation	PU	Order no.
Stainless-steel cassette R12 TM 20 kN	1	<b>EKSR1220TM</b>



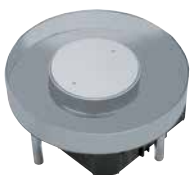
EKSR0620BL

**Heavy-duty cassette R06 blank**

**Properties:**

- Outer dimension: Ø 215 mm
- Cassette cover outer dimension: 34 mm
- Cassette cover inner dimension: 23 mm

Designation	PU	Order no.
Stainless-steel cassette R06 blank 20 kN	1	<b>EKSR0620BL</b>



EKSR0620TM

**Heavy-duty cassette R06 with tube mounting set**

**Properties:**

- Outer dimension: Ø 215 mm
- Cassette cover outer dimension: 38 mm
- Cassette cover inner dimension: 23 mm
- Fitting installation devices requires a snap-in latching rail
- The snap-in latching rail accepts up to 6 installation devices in 2 device casings

Designation	PU	Order no.
Stainless-steel cassette R06 TM 20 kN	1	<b>EKSR0620TM</b>



EKSNS070

**Levelling set for heavy-duty cassette**

**Properties:**

- Comprising 4 x studs M12 with insulation cap and retaining tab
- Levelling range relates to top edge of finished floor

Designation	Nivellierbereich	PU	Order no.
Levelling set f cassette 20 kN 115-150mm		1	<b>EKSNS070</b>
Levelling set f cassette 20 kN 150-180mm		1	<b>EKSNS100</b>
Levelling set f cassette 20 kN 170-200mm		1	<b>EKSNS120</b>



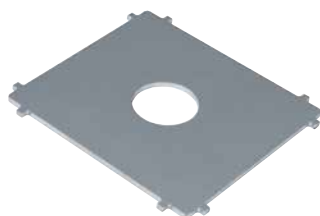
TULAA105

**Tube cable outlet**

**Properties:**

- Aluminium cable outlet protruding above the floor
- without tube blank cover
- Outer diameter 105 mm
- Inner diameter 80 mm
- Material: Anodised aluminium

Designation	PU	Order no.
Leitungsauslass ohne Tubusblinddeckel Al	1	<b>TULAA105</b>



TUSS000

**Pin wrench**

**Properties:**

- for screwing in and unscrewing tube blank cover

Designation	PU	Order no.
Pin wrench for tube blank cover	1	<b>TUSS000</b>

- For incremental lowering of device casings down to 30 mm
- Snap-in ladder extensions can be stacked
- The snap-in ladder extension is supplied in 2 pieces that are plugged together on site

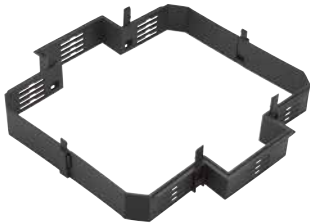


**Snap-in ladder extension RLV1230**

- Properties:**  
 - Fits VQ12/R12

Designation	PU	Order no.
Snap-in ladder extension f Q12 R12 um 30mm	75	<b>RLV1230</b>

RLV1230

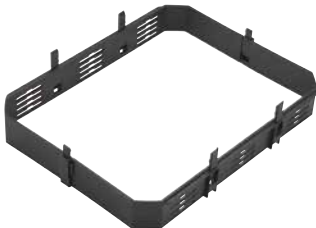


**Snap-in ladder extension RLVR1030**

- Properties:**  
 - Fits VR10

Designation	PU	Order no.
Snap-in ladder extension f R10 um 30mm	25	<b>RLVR1030</b>

RLVR1030

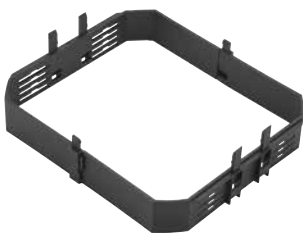


**Snap-in ladder extension RLVE0930**

- Properties:**  
 - Fits VE09

Designation	PU	Order no.
Snap-in ladder extension f E09 by 30mm	80	<b>RLVE0930</b>

RLVE0930



**Snap-in ladder extension RLV0630**

- Properties:**  
 - Fits VQ06/R06

Designation	PU	Order no.
Snap-in ladder extension f Q06 R06 by 30mm	135	<b>RLV0630</b>

RLV0630

- Junction boxes for dry rooms with dry-cleaned or wet-cleaned floors, for flush installation into finished floor
- For floorings with a maximum thickness of 30 mm, including adhesive, e.g. for wood, stone or tile flooring

- As device casing for an installation device, for the connection of max. 2 pipes M20/M25
- Top edge of junction box equals the height of the finished floor
- Complete with cover, one sealing strip and one pipe inlet
- Includes support ring for 1 support bracket device

**Material**

Cast upper part made of aluminium, lower part made of plastic

**Installation height**

90 – 115 mm



UDAR125A

**Junction box, round**

**Properties:**

- Upper part made of aluminium

Designation	PU	Order no.
Junction box, round, 125 mm, upper part alum.	1	<b>UDAR125A</b>



UDAQ125A

**Junction box, square**

**Properties:**

- Upper part made of aluminium

Designation	PU	Order no.
Junction box, square, 125 mm, upper part alum.	1	<b>UDAQ125A</b>



UDLA0000

**Cable outlet for junction boxes**

**Properties:**

- Replaces existing blank cover
- With hinged cover and notch for cable outlet

Designation	PU	Order no.
Cable outlet for junction box UDAR/Q	1	<b>UDLA0000</b>



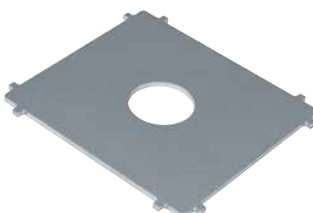
ESN19010

**Schuko socket**

**Properties:**

- 2-pole 16 A/250 V

Designation	PU	Order no.
Schuko socket, 2-pole pure white	1	<b>ESN19010</b>



TUSS000

**Pin spanner**

**Properties:**

- for screwing in and unscrewing tube blank cover

Designation	PU	Order no.
Pin wrench for tube blank cover	1	<b>TUSS000</b>



UDKPQ06E

**Complete underfloor junction box package, stainless steel**

**Properties:**

- Including stainless-steel cassette Q06, two device casings GBVR300, casing cover GBMBV23T2, 2 partition walls GTVRT00, triple socket ESR3339010 with cover GBMBV34R3
- With factory-mounted footfall sound insulation
- 4 set screws M8
- Screed cover including screws
- Minimum installation height 105 mm
- Levelling range + 50 mm
- M20 / M25 cut-outs for the connection of installation pipes
- Installation opening 200 x 200 mm

Designation	PU	Order no.
Compl pack junct. box incl ss cass. Q06	1	<b>UDKPQ06E</b>



UDKPQ067011

**Complete underfloor junction box package**

**Properties:**

- Including service unit VQ06, two device casings GBVR300, casing cover GBMBV23T2, 2 partition walls GTVRT00, triple socket ESR3339010 with cover GBMBV34R3
- With factory-mounted footfall sound insulation
- 4 set screws M8
- Screed cover including fastening screws
- Minimum installation height 95 mm
- M20 / M25 cut-outs for the connection of installation pipes
- Installation opening 200 x 200 mm

Designation	PU	Order no.
Compl pack junct. box incl VQ06 iron grey	1	<b>UDKPQ067011</b>
Compl pack junct. box incl VQ06 deep black	1	<b>UDKPQ069005</b>



UDBDQ06

**Junction box**

**Properties:**

- Junction box accepting service units VQ06 and VEQ06 or cassettes EKQ06
- With factory-mounted footfall sound insulation
- Screed cover including Fastening screws
- Minimum installation height 95 mm
- M20 / M25 cut-outs for the connection of installation pipes
- Installation opening 200 x 200 mm

Designation	PU	Order no.
Junction box for VQ06 or KQ06	1	<b>UDBDQ06</b>

- Massive, high-quality junction box made of brushed stainless steel or bronze casting.
- Protection class IP20 Traversable variant. Unobtrusive and noble appeal. Suitable for floors, walls or furniture.
- Furnished with a Rastec 45 socket and a RJ45 data module
- Carpet frame overlaps flooring trim edge



BSQRJ45R45E

**Floor socket, square**

**Properties:**

- Minimum installation depth: 60 mm
- Installation dimensions: 101 x 101 mm
- External dimension 120 x 120 mm
- E - stainless steel
- B - bronze

Designation	PU	Order no.
Floor socket square single a. RJ45 stainl.	1	<b>BSQRJ45R45E</b>
Floor socket round single a. RJ45 bronze	1	<b>BSQRJ45R45B</b>



BSRRJ45R45E

**Floor socket, round**

**Properties:**

- Minimum installation depth: 60 mm
- Installation dimensions: 101 x 101 mm
- Außenmaß ø 150 mm
- E - stainless steel
- B - bronze

Designation	PU	Order no.
Floor socket round single a. RJ45 stainl.	1	<b>BSRRJ45R45E</b>
Floor socket round single a. RJ45 bronze	1	<b>BSRRJ45R45B</b>



BSFRJ45R45E

**Floor socket, square, with wing opening**

**Properties:**

- Minimum installation depth: 48 mm
- Installation dimensions: 107 x 107 mm
- Außenmaß 120 x 120 mm
- E - stainless steel
- B - bronze

Designation	PU	Order no.
Floor socket, wing, single a. RJ45 stainl.	1	<b>BSFRJ45R45E</b>
Floor socket, wing, single a. RJ45 bronze	1	<b>BSFRJ45R45B</b>

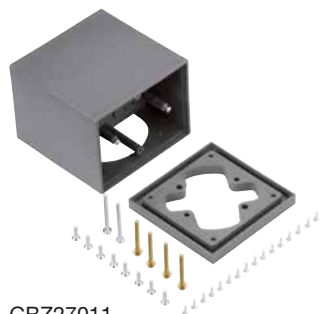
electraplan.VE-EE



- Pedestal boxes made of polyamide for installation projecting the floor
- For two voltage types max.

**Material**  
Polyamide

**Available colours**  
RAL 7011, iron grey  
RAL 9005, deep black



GBZ27011

**Pedestal box 2**

**Properties:**

- Two installation fields, one front and one rear

Designation	PU	Order no.
GB pedestal box 2 inst. fields eg	1	<b>GBZ27011</b>
GB pedestal box 2 inst. fields ts	1	<b>GBZ29005</b>



GBZ47011

**Pedestal box 4**

**Properties:**

- Four installation fields, two front and two rear
- Including 2 partition walls

Designation	PU	Order no.
GB pedestal box 4 inst. fields eg	1	<b>GBZ47011</b>
GB pedestal box 4 inst. fields ts	1	<b>GBZ49005</b>



GBZ87011

**Pedestal box 8**

**Properties:**

- Eight installation fields, four front and four rear
- Including 4 partition walls

Designation	PU	Order no.
GB pedestal box 8 inst. fields eg	1	<b>GBZ87011</b>
GB pedestal box 8 inst. fields ts	1	<b>GBZ89005</b>



GBZWB7011

**Installation wall, blank**

**Properties:**

- Installation walls for each installation field of the pedestal boxes
- Blank

Designation	PU	Order no.
Installation wall, blank, f 1 inst. field eg	1	<b>GBZWB7011</b>
Installation wall, blank, f 1 inst. field ts	1	<b>GBZWB9005</b>



GBZWN7011

**Installation wall standard D**

**Properties:**

- Installation walls for each installation field of the pedestal boxes
- For installation of support bracket devices

Designation	PU	Order no.
Installation wall std.D f 1 inst. field eg	1	<b>GBZWN7011</b>
Installation wall std.D f 1 inst. field ts	1	<b>GBZWN9005</b>



GBZWR17011

**Installation wall for 1 x Rastec 50**

**Properties:**

- Installation walls for each installation field of the pedestal boxes
- Installation of a Rastec 45 device requires adapter frame GBMAR5045

Designation	PU	Order no.
Installation wall 1xRtc f 1 inst. field eg	1	<b>GBZWR17011</b>
Installation wall 1xRtc f 1 inst. field ts	1	<b>GBZWR19005</b>



GBZWR27011

**Installation wall for 2 x Rastec 50**

**Properties:**

- Installation walls for each installation field of the pedestal boxes
- Installation of two Rastec 45 devices requires two adapter frames GBMAR5045

Designation	PU	Order no.
Installation wall 2xRtc f 1 inst. field eg	1	<b>GBZWR27011</b>
Installation wall 2xRtc f 1 inst. field ts	1	<b>GBZWR29005</b>



GBZWC7011

**Installation wall CEE**

**Properties:**

- Installation walls for each installation field of the pedestal boxes
- For installation of CEE devices

Designation	PU	Order no.
Installation wall CEE f 1 inst. field eg	1	<b>GBZWC7011</b>
Installation wall CEE f 1 inst. field ts	1	<b>GBZWC9005</b>



GBZKR00

**Clamping ring**

**Properties:**

- Required for assembly of pedestal box bases on screed-embedded trunking systems, cavity floors or double floors

Designation	PU	Order no.
Clamping ring for assembly with UK HB or DB	1	<b>GBZKR00</b>

- Hinged cover with carpet frame made of polyamide in accordance with DIN EN 50085-1 and -2-2
  - Mounting kit with a clamping range of 5 - 15 mm plus the flooring thickness stated on the hinged cover for junction boxes, flush floor trunking system, floor-mounted trunking system
  - For 5 mm or 12 mm flooring height
  - Installation height: from 50 mm
- Material**  
Polyamide
- Available colours**  
RAL 7011, iron grey  
RAL 9005, deep black

**Note**  
Other flooring thicknesses and mounting systems are available upon request

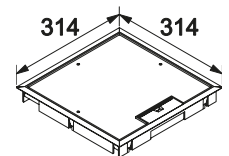


KDQ08057011

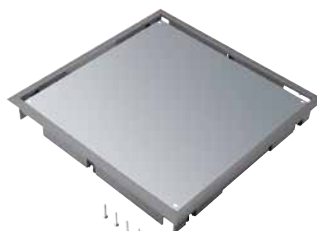
**Hinged cover KDQ08 for ultra-low installation depth**

**Properties:**

- For up to 8 installation devices in 4 device casings GBES2 or GBM5050
- Outer dimension of flooring frame: 314 x 314 mm
- Installation dimensions: 294 x 294 mm



Designation	PU	Order no.
Hinged cover Q08 for 5mm flooring eg	4	<b>KDQ08057011</b>
Hinged cover Q08 for 5mm flooring ts	4	<b>KDQ08059005</b>
Hinged cover Q08 for 12mm flooring eg	4	<b>KDQ08127011</b>
Hinged cover Q08 for 12mm flooring ts	4	<b>KDQ08129005</b>

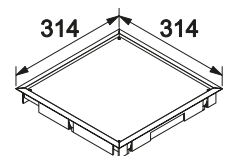


BDQ08057011

**Blank cover BDQ08 for ultra-low installation depth**

**Properties:**

- Outer dimension of flooring frame: 314 x 314 mm
- Installation dimensions: 294 x 294 mm



Designation	PU	Order no.
Blank cover Q08 for 5mm flooring thickness eg	1	<b>BDQ08057011</b>
Blank cover Q08 for 5mm flooring thickness ts	1	<b>BDQ08059005</b>
Blank cover Q08 for 12mm flooring thickness eg	1	<b>BDQ08127011</b>
Blank cover Q08 for 12mm flooring thickness ts	1	<b>BDQ08129005</b>

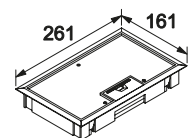


KDE04057011

**Hinged cover KDE04 for ultra-low installation depth**

**Properties:**

- For up to 4 installation devices in 2 device casings GBES2 or GBM5050
- Outer dimension of flooring frame: 161 x 261 mm
- Installation dimensions: 147 x 247 mm



Designation	PU	Order no.
Hinged cover E04 for 5mm flooring thickness eg	9	<b>KDE04057011</b>
Hinged cover E04 for 5mm flooring thickness ts	9	<b>KDE04059005</b>
Hinged cover E04 for 8mm flooring thickness eg	9	<b>KDE04087011</b>
Hinged cover E04 for 8mm flooring thickness ts	9	<b>KDE04089005</b>

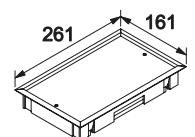


BDE04057011

**Blank cover BDE04 for ultra-low installation depth**

**Properties:**

- Outer dimension of flooring frame: 161 x 261 mm
- Installation dimensions: 147 x 247 mm



Designation	PU	Order no.
Blank cover E04 for 5mm flooring thickness eg	1	<b>BDE04057011</b>
Blank cover E04 for 5mm flooring thickness ts	1	<b>BDE04059005</b>
Blank cover E04 for 8mm flooring thickness eg	1	<b>BDE04087011</b>
Blank cover E04 for 8mm flooring thickness ts	1	<b>BDE04089005</b>



GBES29010

**Device casing for hinged cover**

**Properties:**

- Device casing for hinged cover KDQ08 and KDE04
- With 2 Schuko sockets, 2-pole, 16 A / 250 V
- Including 2 strain reliefs
- 50 mm installation depth from top edge of finished floor
- Delivery colours of power sockets:  
RAL 9010 pure white,  
RAL 2004 pure orange,  
RAL 3000 blazing red

Designation	PU	Order no.
Dev. cas. for KDQ08/E04 power socket, 2x rw	125	<b>GBES29010</b>
Dev. cas. for KDQ08/E04 power socket, 2x or	125	<b>GBES22004</b>
Dev. cas. for KDQ08/E04 power socket, 2x ro	125	<b>GBES23000</b>



GBM5050

**Device casing for data systems technology for hinged cover**

**Properties:**

- Device casing for hinged cover KDQ08 and KDE04
- For 2 installation devices Rastec 50 x 50 mm
- Installation of two Rastec 45 devices requires two adapter frames GBMAR5045
- Including 2 strain reliefs
- 60 mm installation depth from top edge of finished floor

Designation	PU	Order no.
Dev. cas. for KDQ08/E04 f 2 Inst.dev. R 50	1	<b>GBM5050</b>



GBMAR5045

**Adapter frame**

**Properties:**

- Adapter frame from Rastec 50 x 50 mm to Rastec 45 x 45 mm

Designation	PU	Order no.
Dev. cas. adapter frame Rastec R50 to R45	1	<b>GBMAR5045</b>



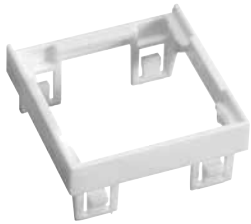
GBVDR45

**Mounting plate 45 x 45 mm**

**Properties:**

- for 2 data modules, RJ45 Reichle & De-Massari.
- Suitable for use: - Connecting module, Cat. 5e, 1 x RJ45/s R925370
- Connecting module, Cat. 6, 1 x RJ45/s R302372
- Connecting module, Cat. 5e, 1 x RJ45/u R925371
- Connecting module, Cat. 6, 1 x RJ45/u R302373
- The original accessories from RDM & IBM, such as codings, dust flaps, etc. are plug-on type.

Designation	PU	Order no.
Mounting plate 45x45 mm 2xRJ45 R&M from PA	1	<b>GBVDR45</b>



GBVDMR45

**Adapter frame for data equipment in Rastec 45**

**Properties:**

- Able to accommodate mounting plates for data modules

Designation	PU	Order no.
Adapter frame Rastec 50 on 45 data PA	1	<b>GBVDMR45</b>



GBVDM012

**Mounting plate for adapter frame, data equipment**

**Properties:**

for accommodating data equipment from following manufacturers and modules:

- Setec SeSix Keystone Jack RJ45 Cat.6
- Telegärtner AMJ module Cat. 6+
- Rutenbeck UM-real. Cat.6a
- Dätwyler Unilan RJ45 module MS-K 1/8 Cat.6a, Unipatch TERA,
- Dätwyler Unilan RJ45 module KST 1/8 Cat.6a Tool-less
- Brand-Rex snap-in connection module Cat.6
- Brand-Rex Cat6Plus STP module tool-less shielded C6CJAKS000
- Brand-Rex 10GPlus STP module tool-less shielded AC6JAKS000
- R&M connection module RJ45 snap-in
- Nexans LANmark-7 GG45 snap-in socket, LANmark-6 Evo, LANmark-5 Evo
- Kerpen Eline 600 GG45 socket, Variokeystone
- TKM RJ-MOD - Cat.6
- EVN electronic components, media technology
- Quante
- Krone

Designation	PU	Order no.
Mounting plate for adapter RJ45 19.3x14.8 mm	1	<b>GBVDM012</b>



GBVDM032

**Mounting plate for adapter frame, data equipment**

**Mounting plate for adapter frame, data equipment**

for accommodating data equipment from following manufacturers and modules:

- BTR E-DAT module 8(8) Cat.6A
- BTR E-DAT module coupling 90° (or 180°) 8(8) Cat.6
- BTR C6A module K180°
- BTR UAE module 8(8) Cat.5e / Cat.6
- BTR OpDAT module LCMM (or LC SM, or ST SM/MM)
- BTR COAX module F-socket (or IEC socket, or IEC plug)
- BTR Blank module
- Dätwyler Unilan module MS 1/8 Cat.6
- Matching blank cap: BTR order number: 130898-00-I

Designation	PU	Order no.
Mounting plate for adapter RJ45 19.5x14.8 mm	1	<b>GBVDM032</b>



GBVDM052

**Mounting plate for adapter frame, data equipment**

**Properties:**

for accommodating data equipment from following manufacturers and modules:

- AMP SL 110 Connect Jack Cat. 6
- AMP AMP-TWIST-6S SL Jack Cat. 6; AMP-TWIST-6AS SL Jack Cat. 6A
- AMP AMP-TWIST-7AS SL Jack Cat. 7
- Brand Rex: Gigaplus, Cat6Plus and 10GPlus UTP module, unshielded (GPCJAKUxx, C6CJAKUxx, AC6JAKUxx)
- CobiNet TopKey Keystone Cat.6 RJ45
- Matching blank cap: AMP order number: 0-1116412-1

Designation	PU	Order no.
Mounting plate for adapter RJ45 21.4x14.8 mm	1	<b>GBVDM052</b>

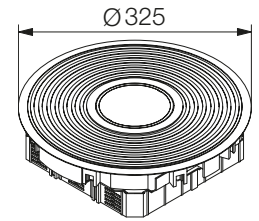


VANR1200

**Service unit for wet-cleaned floors for the installation tube cable outlet made of aluminium**

**Properties:**

- Service unit with flooring frame made of aluminium for wet-cleaned floors
- Protection rating IP 66
- Full-aluminium cover with grooved structure
- For up to 12 installation devices in 3 device casings GTVR400, GBVR400 or GTVD300
- Device casings can be lowered in increments down to 18 mm
- Mounting kit for double floors upon request
- A tube cable outlet made of aluminium must be ordered as an option if required
- Outer dimension of flooring frame: Ø 325 mm
- Installation opening dimension: Ø 306 mm
- Installation height from 90 mm for GBVR400 and GTVD300
- Installation height from 95 mm for GTVR400
- Material: Aluminium
- Variant:
  - R - Aluminium grooved structure
  - R ts - aluminium grooved structure with deep black accents
  - HB - with mounting kit for cavity floor
  - BD - with mounting kit for junction boxes



Designation	PU	Order no.
Serv.unit R12 w set HB wet Al-Tub R	1	<b>VANR1200</b>
Serv.unit R12 w set BD wet Al-Tub R	1	<b>VANR1201</b>
Serv.unit R12 w set HB wet Al-Tub R ts	1	<b>VANR12009005</b>
Serv.unit R12 w set BD wet Al-Tub R ts	1	<b>VANR12019005</b>

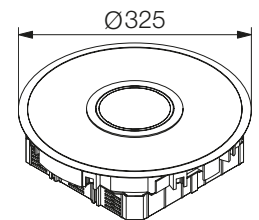


VANR12003

**Service unit for wet-cleaned floors for the installation tube cable outlet made of aluminium**

**Properties:**

- Service unit with flooring frame made of aluminium for wet-cleaned floors
- Protection rating IP 66
- Full-aluminium cover, also fits bonded floorings of 3 mm thickness (e. g. PVC, Linoleum or chequered aluminium panel)
- For up to 12 installation devices in 3 device casings GTVR400, GBVR400 or GTVD300
- Device casings can be lowered in increments down to 18 mm
- Mounting kit for double floors upon request
- A tube cable outlet made of aluminium must be ordered as an option if required
- Outer dimension of flooring frame: Ø 325 mm
- Installation opening dimension: Ø 306 mm
- Installation height from 90 mm for GBVR400 and GTVD300
- Installation height from 95 mm for GTVR400
- Material: Aluminium
- Variant:
  - HB - with mounting kit for cavity floor
  - BD - with mounting kit for junction boxes



Designation	PU	Order no.
Serv.unit R12 w set HB wet Al-Tub 3mm	1	<b>VANR12003</b>
Serv.unit R12 w set BD wet Al-Tub 3mm	1	<b>VANR12013</b>

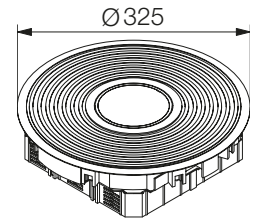


VANR1200TU

**Service unit for wet-cleaned floors with tube cable outlet made of polyamide**

**Properties:**

- Service unit with flooring frame made of aluminium for wet-cleaned floors
- Protection rating IP 66
- Full-aluminium cover with grooved structure
- For up to 12 installation devices in 3 device casings GTVR400, GBVR400 or GTVD300
- Device casings can be lowered in increments down to 18 mm
- Mounting kit for double floors upon request
- A tube cable outlet made of polyamide is integrated in the cover and can be used as line outlet if reversed by 180°
- Outer dimension of flooring frame: Ø 325 mm
- Installation opening dimension: Ø 306 mm
- Installation height from 105 mm for GBVR400 and GTVD300
- Installation height from 115 mm for GTVR400
- Material: Aluminium
- Variant:
  - R - Aluminium grooved structure
  - R ts - aluminium grooved structure with deep black accents
  - HB - with mounting kit for cavity floor
  - BD - with mounting kit for junction boxes



Designation	PU	Order no.
Serv.unit R12 w set HB wet PA-Tub Al R	1	<b>VANR1200TU</b>
Serv.unit R12 w set BD wet PA-Tub Al R	1	<b>VANR1201TU</b>
Serv.unit R12 w set HB wet PA-T Al R ts	1	<b>VANR12009005TU</b>
Serv.unit R12 w set BD wet PA-T Al R ts	1	<b>VANR12019005TU</b>

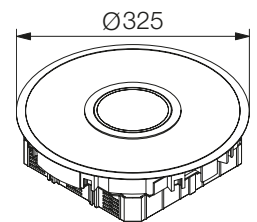


VANR12003TU

**Service unit for wet-cleaned floors with tube cable outlet made of polyamide**

**Properties:**

- Service unit with flooring frame made of aluminium for wet-cleaned floors
- Full-aluminium cover, also fits bonded floorings of 3 mm thickness (e. g. PVC, Linoleum or chequered aluminium panel)
- For up to 12 installation devices in 3 device casings GTVR400, GBVR400 or GTVD300
- Device casings can be lowered in increments down to 18 mm
- Mounting kit for double floors upon request
- A tube cable outlet made of polyamide is integrated in the cover and can be used as line outlet if reversed by 180°
- Outer dimension of flooring frame: Ø 325 mm
- Installation dimensions: Ø 306 mm
- Installation height from 105 mm for GBVR400 and GTVD300
- Installation height from 115 mm for GTVR400
- Material: Aluminium
- Variant:
  - HB - with mounting kit for cavity floor
  - BD - with mounting kit for junction boxes



Designation	PU	Order no.
Serv.unit R12 w set HB wet PA-T Al 3mm	1	<b>VANR12003TU</b>
Serv.unit R12 w set BD wet PA-T Al 3mm	1	<b>VANR12013TU</b>



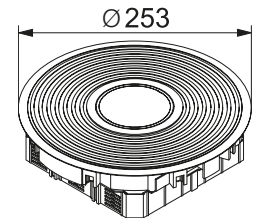


VANR2009005

**Service unit for wet-cleaned floors for the installation of tube cable outlets made of aluminium**

**Properties:**

- Service unit with flooring frame made of aluminium for wet-cleaned floors
- Full-aluminium cover with grooved structure
- For up to 6 installation devices in  
3 device casings GTVR300, GBVR300 or GTVD200
- Device casings can be lowered in increments down to 18 mm
- Mounting kit for double floors upon request
- A tube cable outlet made of aluminium must be ordered as an option if required
- Outer dimension of flooring frame: Ø 253 mm
- Installation dimensions: Ø 242 mm
- Installation height from 90 mm for GBVR300 and GTVD200
- Installation height from 95 mm for GTVR300
- Material: Aluminium
- Variant:  
HB - with mounting kit for cavity floor  
BD - with mounting kit for junction boxes



Designation	PU	Order no.
Serv.unit R2 w set HB wet Al-Tub R ts	1	<b>VANR2009005</b>
Serv.unit R2 w set BD wet Al-Tub R ts	1	<b>VANR2019005</b>

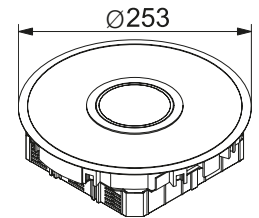


VANR2003

**Service unit for wet-cleaned floors for the installation of tube cable outlets made of aluminium**

**Properties:**

- Service unit with flooring frame made of aluminium for wet-cleaned floors
- Full-aluminium cover, also fits bonded floorings of 3 mm thickness (e. g. PVC, linoleum or chequered aluminium panel)
- For up to 6 installation devices in  
3 device casings GTVR300, GBVR300 or GTVD200
- Device casings can be lowered in increments down to 18 mm
- Mounting kit for double floors upon request
- A tube cable outlet made of aluminium must be ordered as an option if required
- Outer dimension of flooring frame: Ø 253 mm
- Installation dimensions: Ø 242 mm
- Installation height from 90 mm for GBVR300 and GTVD200
- Installation height from 95 mm for GTVR300
- Material: Aluminium
- Variant:  
HB - with mounting kit for cavity floor  
BD - with mounting kit for junction boxes



Designation	PU	Order no.
Serv.unit R2 w set HB wet Al-Tub 3mm	1	<b>VANR2003</b>
Serv.unit R2 w set BD wet Al-Tub 3mm	1	<b>VANR2013</b>



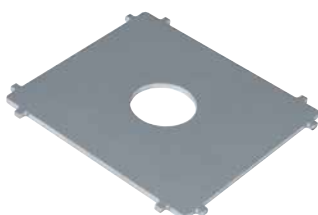
TULAA105

**Tube cable outlet**

**Properties:**

- Aluminium cable outlet protruding above the floor
- without tube blank cover
- Outer diameter 105 mm
- Inner diameter 80 mm
- Material: Anodised aluminium

Designation	PU	Order no.
Tube cable outlet without tube blank lid aluminium	1	<b>TULAA105</b>



TUSS000

**Pin spanner**

**Properties:**

- For screwing in and unscrewing tube blank cover

Designation	PU	Order no.
Pin wrench for tube blank cover	1	<b>TUSS000</b>

**Service units - Installation units**

Identifier	Shape/number of installation devices	Flooring cutout /cover inlay - cardboard	Colour/material
V = service unit VE = Service unit made of stainless steel VD = Cover VEDE = service unit cover inlay VDDE = cover inlay	Y  R06 = round 215 mm R10 = round 275 mm R12 = round 306 mm Q06 = square 200 x 200 mm Q12 = square 244 x 244 mm E09 = square 200 x 253 mm	Y  05 = 5 mm flooring cutout 12 = 12 mm flooring cutout  P1 = cover inlay with 1 mm material thickness P2 = cover inlay with 2 mm material thickness	<b>Z</b>  7011 = RAL 7011, iron grey 9005 = RAL 9005, deep black  E = stainless steel

**Service units - installation units - height-adjustable stainless-steel cassettes**

Identifier Material	Shape/number of installation devices	Variant	Cassette height
EK = stainless-steel cassette	X  R06 = round 215 mm R12 = round 306 mm Q06 = square 200 x 200 mm Q12 = square 244 x 244 mm	Y  00BL = blank 00TM = tube mounting set 00LE = cable outlet, square	<b>Z</b>  1 = 23 mm inside - 28 mm outside 2 = 38 mm inside - 43 mm outside

**Service units - installation units, height-adjustable stainless-steel cassettes - accessories - tube cable outlets**

Identifier	Type	Material	Outer diameter
TU = tube	X  LA = cable outlet SS000 = pin wrench	Y  A = aluminium	<b>Z</b>  105 = 105 mm

**Service units - installation units, height-adjustable stainless-steel cassettes - accessories - levelling set**

Identifier	Type	Levelling range
EK = stainless-steel cassette	Y  NS = levelling set	<b>Z</b>  075 = 100 - 150 mm 120 = 145 - 195 mm 165 = 190 - 240 mm

**Service units - installation units - heavy-duty stainless-steel cassettes**

Identifier Material	Shape/number of installation devices	Max. Load-bearing capacity	Variant
EKS = heavy-duty stainless-steel cassette	X  R06 = round 215 mm R12 = round 306 mm Q405 = square 405 x 405 mm Q06 = square 200 x 200 mm Q12 = square 244 x 244 mm	Y  20 = 20 kN	<b>Z</b>  BL = blank TM = tube mounting set

**Service units - installation units - stainless-steel cassettes - heavy-duty - accessories - levelling set**

Identifier	Type	Levelling range
EKS = heavy-duty stainless-steel cassette	Y  NS = levelling set	<b>Z</b>  075 = 100 - 150 mm 120 = 145 - 195 mm 165 = 190 - 240 mm

**Service units - installation units - accessories - snap-in ladder extension**

Identifier	Shape/number of installation devices	Height of snap-in ladder extension
RLV = snap-in ladder extension	Y 12 = for Q12 and R12 R10 = for R10 E09 = for E09 06 = for Q06 and R06	Z 30 = approx. 30 mm

**Service units - installation units, junction boxes, accessories**

Identifier	Variant	Variant	Size	Material, upper part
UD = underfloor junction box	W A = junction box LA = cable outlet for junction boxes	X R = round Q = square 0000 = for all junction boxes	Y 125 = 125 mm	Z A = aluminium

**Power socket**

Identifier	Variant	Number of power socket boxes	Colour
E = Installation device	X SN = Schuko (standard D)	Y 1 = single	Z 9010 = RAL 9010, pure white

**Service units - installation units - ZuHause complete packages**

Identifier	Type	Colour/material
UDKP = underfloor junction box complete package	Y Q06 = square 200 x 200 mm	Z 7011 = RAL 7011, iron grey 9005 = RAL 9005, deep black E = stainless steel
UDBD = underfloor junction box		

Service units - installation units - power sockets

Identifier	Shape	Furnishing	Colour/material
BS = floor socket	X  Q = square / hinged R = round / hinged F = wing opening / square	Y  RJ45R45 = RJ45 data socket and Rastec 45 power socket	Z  E = stainless-steel cast material B = bronze cast material

Service units - Installation units - Pedestal boxes

Identifier	Number of installation fields	Colour
GBZ = device casing for pedestal box	Y  2 = two fields, 1 x front, 1 x rear 4 = four fields, 2 x front, 2 x rear 8 = eight fields, 4 x front, 4 x rear	Z  7011 = RAL 7011, iron grey 9005 = RAL 9005, deep black

Service units - installation units - pedestal boxes - accessories

Identifier	Accessories	Type	Colour
GBZ = device casing for pedestal box	X  W = installation wall KR00 = clamping ring	Y  B = blank N = standard D R1 = 1 x Rastec R2 = 2 x Rastec C = 1 x CEE	Z  7011 = RAL 7011, iron grey 9005 = RAL 9005, deep black

Service units - installation units - hinged cover for ultra-low installation depth

Identifier	Shape/number of installation devices	Flooring cutout / cover inlay - cardboard	Colour
KD = hinged cover BD = blank cover	X  Q08 = square for 8 installation devices E04 = rectangular for 4 installation devices	Y  05 = 5 mm flooring cutout 08 = 8 mm flooring cutout 12 = 12 mm flooring cutout	Z  7011 = RAL 7011, iron grey 9005 = RAL 9005, deep black

Service units - installation units - device casings

Identifier	Type	Number of power socket casings / adapter type	Colour
GB = device casings	X  ES = installation device, Schuko power socket M = for 2 Mosaic installation devices MAR = adapter frame for Rastec 50 x 50 to 45 x 45 mm	Y  2 = two power socket casings 5050 = Rastec 50 x 50 mm 5045 = 50 x 50 to 45 x 45 mm	Z  9010 = RAL 9010, pure white 2004 = RAL 2004, pure orange 3000 = RAL 3000, blazing red

Service units - installation units - wet-cleaned floors

Identifier	Shape/number of installation devices	Mounting kit	Type/colour	Colour/material
VAN = service unit, aluminium (flooring frame), wet-cleaned floors	W  R12 = round, for up to 12 installation devices R2 = round, for up to 6 installation devices	X  00 = with mounting kit for cavity floors 01 = with mounting kit for junction boxes	Y  = aluminium, chequered 9005 = RAL 9005, deep black, grooves in contrasting colour 03 = for bonding in of 3-mm flooring	Z  TU = integrated tube made of polyamide

### Device casings - general description - function and application

#### Mounting kit

One standardised mounting kit can be used for all underfloor trunking systems.

#### Captive system

The handle bar in the lid of the cover is captive and cannot be lost. The cable outlet cannot be pulled out, even if it is pulled hard.

#### 12 mm

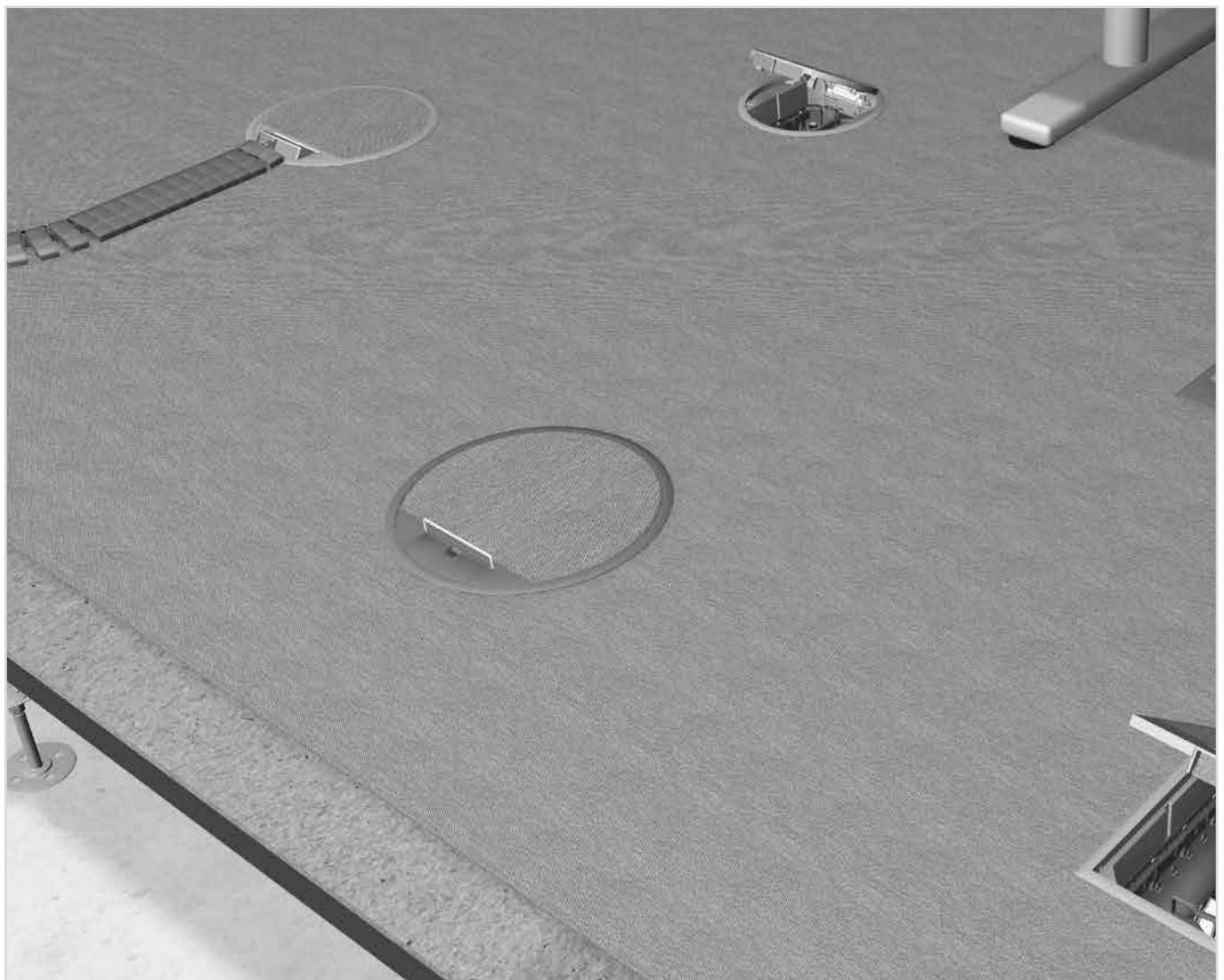
Flooring material of different thickness up to 12 mm can be bonded into the cover.

#### Snap-in system

Snap-in ladder extensions sealed around the entire circumference can be engaged into the service unit from below.

#### Flat chains

Flat chains can be safely connected to all service units using a flat-chain adapter.

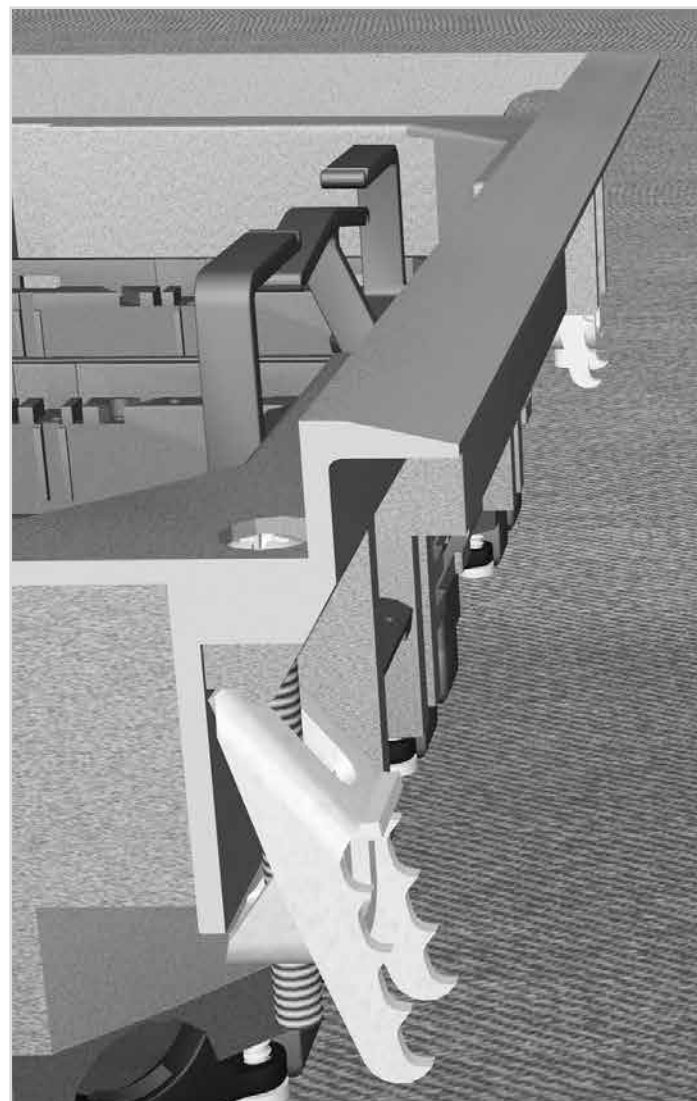


**Installation in junction boxes - installation in double floors - installation in cavity floors**

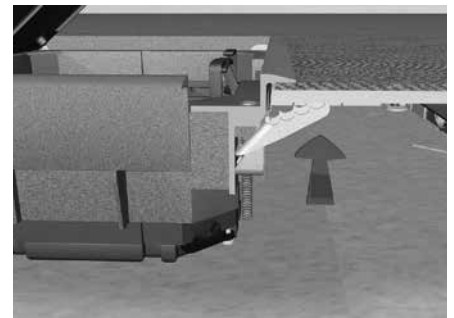
No matter which trunking system you wish to equip with service units, you can always use the same mounting kit. Specifying specific mounting kits when ordering is no longer necessary. With the exception of VANR12 for wet-cleaned floors, all service units are provided with this mounting kit.

Thanks to an innovative tilting mechanism, the force of the metal claws is always applied correctly. When using a junction box, the claw is pushed upward against the mounting panel. In double floors, the shark-like teeth of the claws are forced into the raised floor from the sides and from below.

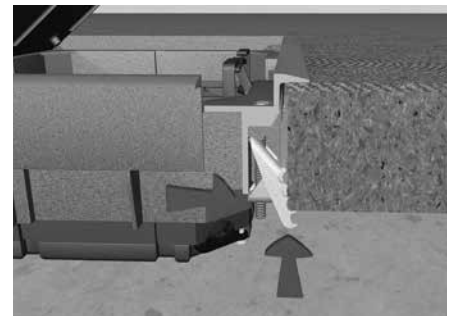
If the floor plate is larger than 50 mm or when installing the components into a cavity floor, the claws are pressed into the installation opening from the side.



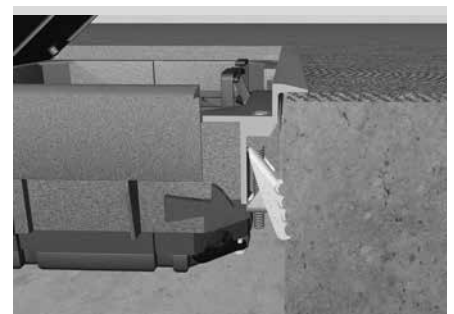
**Installation in junction boxes**



**Installation in double floors**



**Installation in cavity floors**



### Installation depths

Is the screed height sufficient or is 50 mm a little on the tight side?

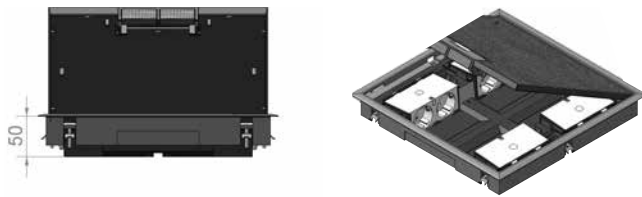
The service units from Hager offer the matching solution for any situation. If the screed height is sufficient, standard device casings may be used.

Screed heights exceeding 70 mm allow the installation of GBVR400 or GBVR300 for Schuko power sockets and GTVD300 or GTVD200 for data sockets. If the screed height exceeds 80 mm, GTVR400 and GTVR300 for Schuko power sockets can be installed. In screeds higher than 100 mm it is even possible to use snap-in ladder extensions to install the device casing even deeper. This provides more space for convenient socket options in the service unit.

However, if screed height is critical, device casings for “ultra-low installation depth” are available for installation in screeds starting from 50 mm. Here, the plugs are plugged into the hinged cover KDQ08 or KDE04 in horizontal direction.

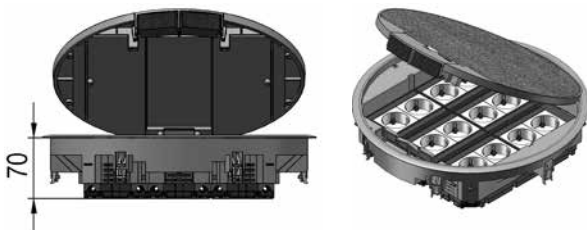
### Hinged cover Q08 / E04 for ultra-low installation depth

Installation depth: from 50 mm



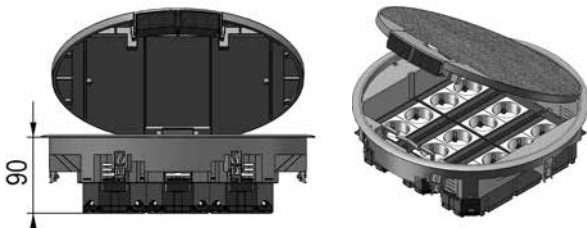
### Device casing in top latching position

Installation depth: from 80/70 mm



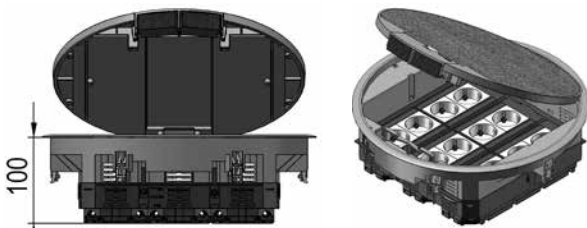
### Device casing in bottom latching position

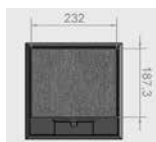
Installation depth: from 100/90 mm



### Device casing with snap-in ladder extension

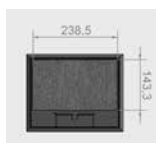
Installation depth: from 110/100 mm





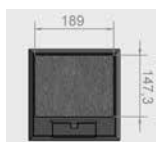
**Service unit VQ12**

Outer dimension [mm]	Installation dimension [mm]	Flooring cutout
263 x 263	244 x 244	5 mm 12 mm



**Service unit VE09**

Outer dimension [mm]	Installation dimension [mm]	Flooring cutout
219 x 272	200 x 253	5 mm 12 mm



**Service unit VQ06**

Outer dimension [mm]	Installation dimension [mm]	Flooring cutout
219 x 219	200 x 200	5 mm 12 mm

**Service units, round**



**Service unit VR12**

Outer dimension	Installation dimension	Flooring cutout
Ø 325 mm	Ø 306 mm	5 mm 12 mm



**Service unit VR10**

Outer dimension	Installation dimension	Flooring cutout
Ø 294 mm	Ø 275 mm	5 mm 12 mm



**Service unit VR06**

Outer dimension	Installation dimension	Flooring cutout
Ø 234 mm	Ø 215 mm	5 mm 12 mm

**Service units made of aluminium**



**Service unit VANR12003TU**

Outer dimension	Installation dimension	Flooring cutout
Ø 325 mm	Ø 306 mm	3 mm



**Service unit VANR12003**

Outer dimension	Installation dimension	Flooring cutout
Ø 325 mm	Ø 306 mm	3 mm



Service units, rectangular and square



Service unit VQ12

Number of power sockets [max. pcs.]	Number of device casings
12	3 x GTVR400 / GBVR400



Service unit VE09

Number of power sockets [max. pcs.]	Number of device casings
9	3 x GTVR300 / GBVR300



Service unit VQ06

Number of power sockets [max. pcs.]	Number of device casings
6	2 x GTVR300 / GBVR300

Service units, round



Service unit VR12

Number of power sockets [max. pcs.]	Number of device casings
12	3 x GTVR400 / GBVR400



Service unit VR10

Number of power sockets [max. pcs.]	Number of device casings
10	1 x GTVR400 + 2 x GTVR300 / 1 x GBVR400 + 2 x GBVR300



Service unit VR06

Number of power sockets [max. pcs.]	Number of device casings
6	2 x GTVR300 / GBVR300

Service units made of aluminium



Service unit VAN R12

Number of power sockets [max. pcs.]	Number of device casings
12	3 x GTVR400 / GBVR400

### Service units for wet-cleaned floors

#### Grooved structure

The standard version with its aluminium grooves offers a uniform design without any irritating disruptions.

#### 3-mm flooring

Service unit VANR12 fits a bonded flooring of 3 mm thickness (e.g. PVC, linoleum or chequered aluminium panel).

#### Aluminium

Cover and flooring frame are entirely made of aluminium.

#### Higher loads

The variants with aluminium tube lid and groove structure can support heavy loads and are traversable.



**General instructions:**

**Wet-cleaning**

Cassettes variants BL (blank) and TM (tube mounting set) are suitable for wet-cleaned floors. Variant LE (with cable outlet) should not be wet-cleaned.

**Stepless**

The studs allow stepless height-adjustment.

**Snap-in ladder**

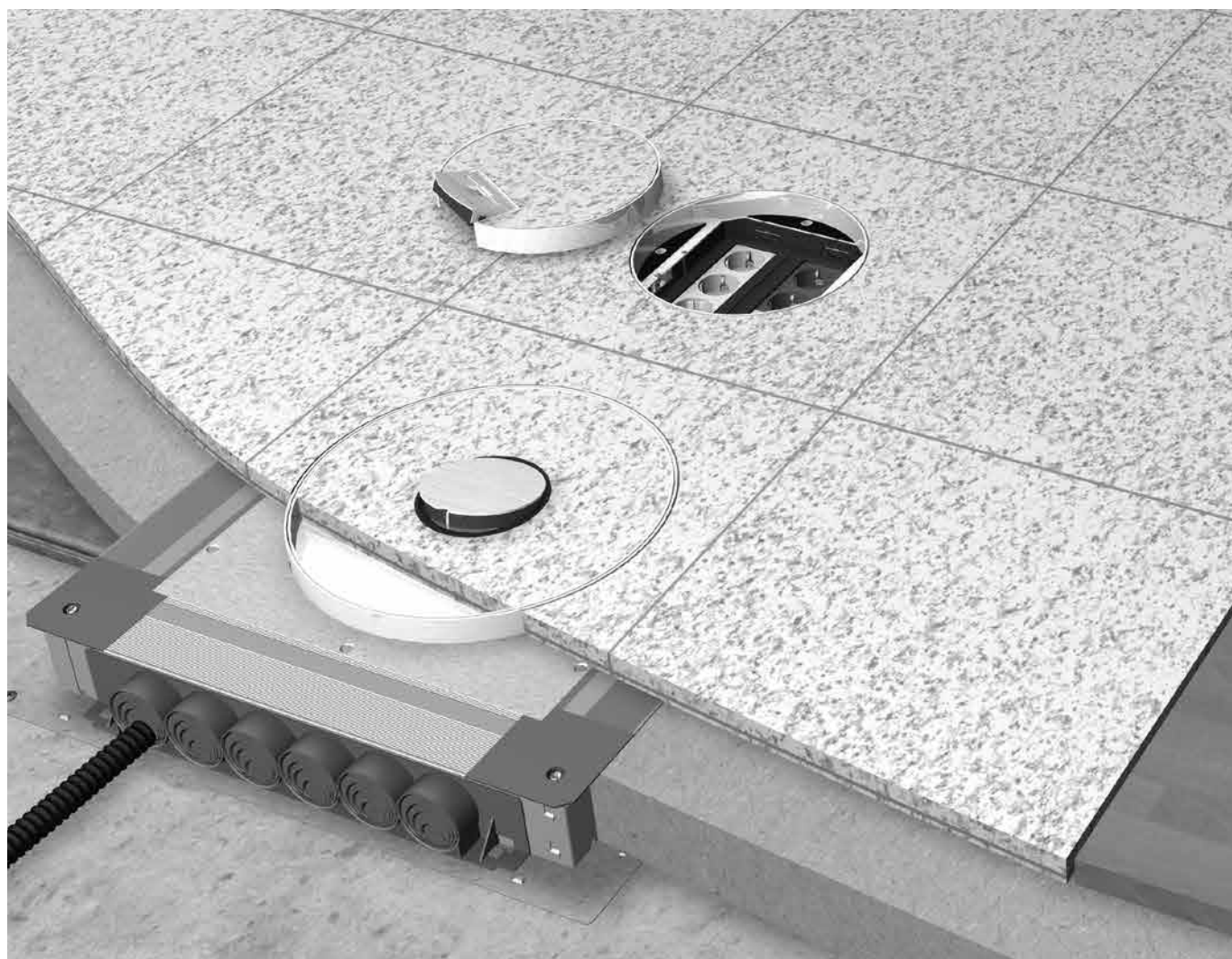
Device casing can be installed at lesser heights using the snap-in ladder.

**Snap-in ladder extension**

A snap-in ladder extension can also be installed.

**Solid**

The units are characterised by compact designs.

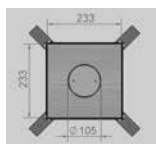


**Stainless-steel cassettes, square**



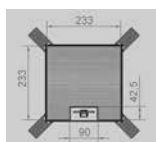
**Stainless-steel cassette EKV1200BL**

Outer dimension [mm]	Installation dimension [mm]	Flooring cutout [mm]
243 x 243	244 x 244	233 x 233 x 23



**Stainless-steel cassette EKV1200TM**

Outer dimension [mm]	Installation dimension [mm]	Flooring cutout [mm]
243 x 243	244 x 244	233 x 233 x 23



**Stainless-steel cassette EKV1200LE**

Outer dimension [mm]	Installation dimension [mm]	Flooring cutout [mm]
243 x 243	244 x 244	233 x 233 x 23

**Stainless-steel cassettes, round**



**Stainless-steel cassette EKR1200BL**

Outer dimension [mm]	Installation dimension [mm]	Flooring cutout [mm]
Ø 305	Ø 306	Ø 295 x 23



**Stainless-steel cassette EKR1200TM**

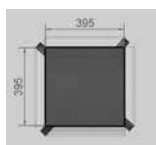
Outer dimension [mm]	Installation dimension [mm]	Flooring cutout [mm]
Ø 305	Ø 306	Ø 295 x 23



**Stainless-steel cassette EKR1200LE**

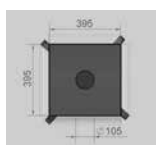
Outer dimension [mm]	Installation dimension [mm]	Flooring cutout [mm]
Ø 305	Ø 306	Ø 295 x 23

**Stainless-steel cassette, heavy duty**



**Heavy-duty cassette EKSQ405BL**

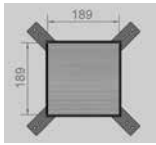
Outer dimension [mm]	Installation dimension [mm]	Flooring cutout [mm]
405 x 405	406 x 406	395 x 395 x 28



**Heavy-duty cassette EKSQ405TM**

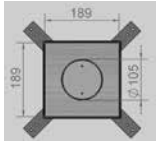
Outer dimension [mm]	Installation dimension [mm]	Flooring cutout [mm]
405 x 405	406 x 406	395 x 395 x 28

**Stainless-steel cassettes, square**



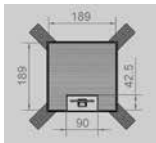
**Stainless-steel cassette EKK0600BL**

Outer dimension [mm]	Installation dimension [mm]	Flooring cutout [mm]
199 x 199	200 x 200	189 x 189 x 23



**Stainless-steel cassette EKK0600TM**

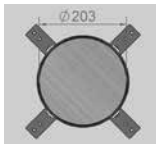
Outer dimension [mm]	Installation dimension [mm]	Flooring cutout [mm]
199 x 199	200 x 200	189 x 189 x 23



**Stainless-steel cassette EKK0600LE**

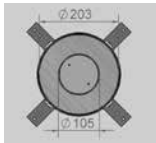
Outer dimension [mm]	Installation dimension [mm]	Flooring cutout [mm]
199 x 199	200 x 200	189 x 189 x 23

**Stainless-steel cassettes, round**



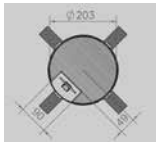
**Stainless-steel cassette EKR0600BL**

Outer dimension [mm]	Installation dimension [mm]	Flooring cutout [mm]
Ø 214	Ø 215	Ø 203 x 23



**Stainless-steel cassette EKR0600TM**

Outer dimension [mm]	Installation dimension [mm]	Flooring cutout [mm]
Ø 214	Ø 215	Ø 203 x 23



**Stainless-steel cassette EKR0600LE**

Outer dimension [mm]	Installation dimension [mm]	Flooring cutout [mm]
Ø 214	Ø 215	Ø 203 x 23

**Stainless-steel cassettes, square**



**Stainless-steel cassette EKQ1200**

Number of power sockets [max. pcs.]	Number of device casings
12	3 x GTVR400 / GBVR400



**Stainless-steel cassette EKQ0600**

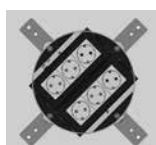
Number of power sockets [max. pcs.]	Number of device casings
6	2 x GTVR300 / GBVR300

**Stainless-steel cassettes, round**



**Stainless-steel cassette EKR1200**

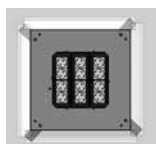
Number of power sockets [max. pcs.]	Number of device casings
12	3 x GTVR400 / GBVR400



**Stainless-steel cassette EKR0600**

Number of power sockets [max. pcs.]	Number of device casings
6	2 x GTVR300 / GBVR300

**Stainless-steel cassette, heavy duty**



**Heavy-duty cassette EKSQ05**

Number of power sockets [max. pcs.]	Number of device casings
12	3 x GTVR400 / GBVR400

**General instructions:**

**Compatibility**

Junction box UDS-ZuHause can be fitted with service unit VQ06 or height-adjustable stainless-steel cassette EKQ06.

**Earthing**

System components must be included in the earthing measures in accordance with DIN VDE 0100.

Observe our general information and the information concerning other related trades (screed layers, floor fitters).

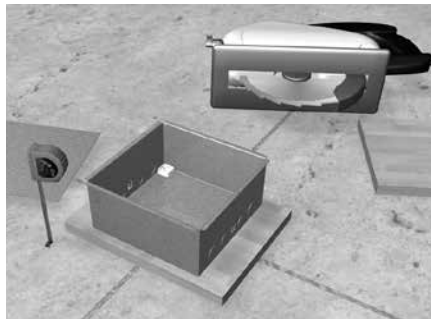


**Install sheet-metal casing**



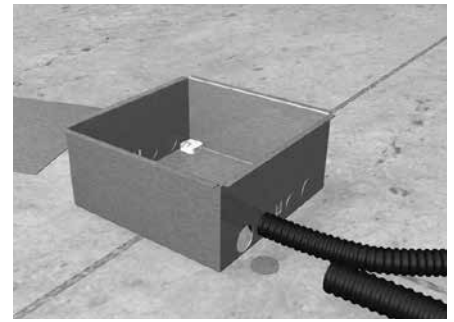
Fasten the casing to the slab with two screws.

**Underlay sheet-metal casing**



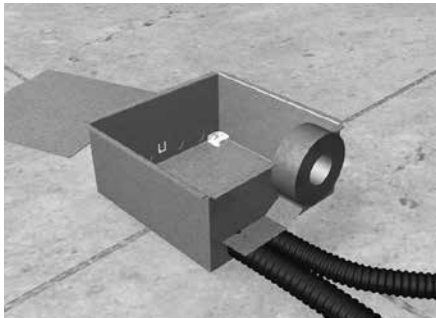
If required, underlay the casing to achieve the required height, depending on the planned screed height.

**Connect the installation pipes**



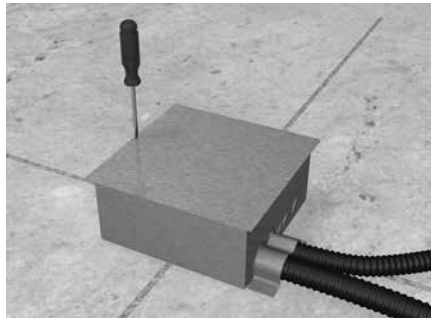
Knock out the blankings for installation pipes and insert the installation pipe. Blankings fit pipes M25 or M20.

**Seal the sheet-metal casing**



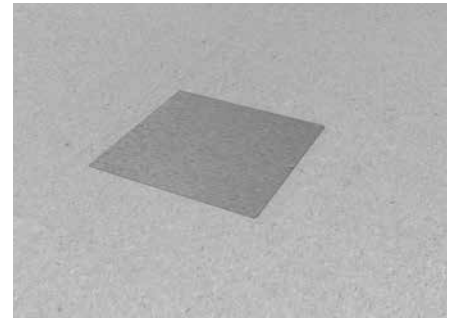
Seal the sheet-metal casing using adhesive tape to prevent screed ingress.

**Install the protective cover**



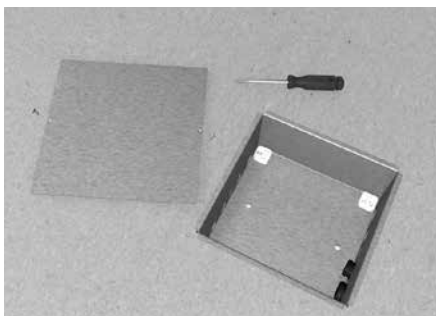
Secure the protective cover to the casing using two screws. The cover serves as protection during screed-laying.

**Lay the screed**



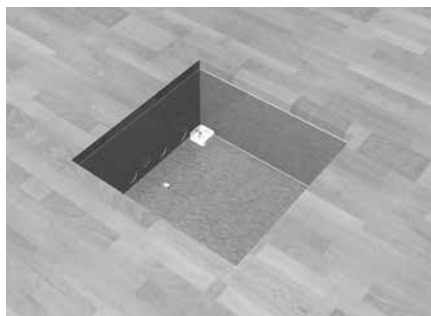
Lay the screed flush with the upper edge of the sheet-metal casing.

**Remove the protective cover**



Remove the protective cover after the screed has hardened completely.

**Install the flooring**



Install the flooring, leaving an installation opening of 200 x 200 mm.

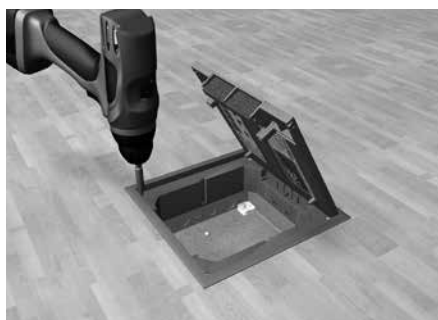
**Insert service unit VQ06**



Place service unit VQ06 into the installation opening.

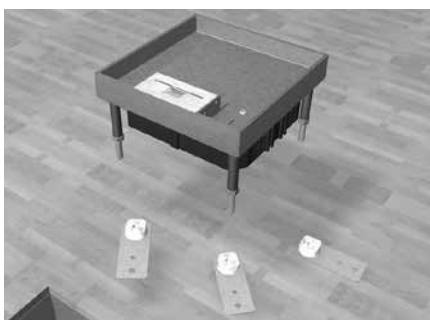


**Fasten service unit VQ06**



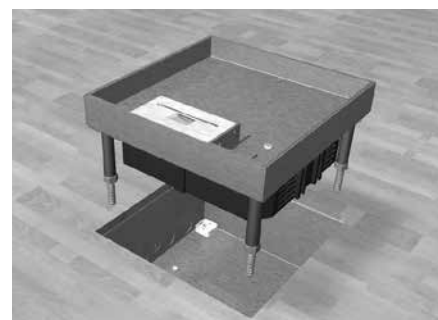
Using a cordless screwdriver, fasten the four mounting kits of the service unit hand-tight.

**Prepare cassette EKQ06**



Remove the retaining tabs and soundproofing mounts from the set screws.

**Insert cassette EKQ06**



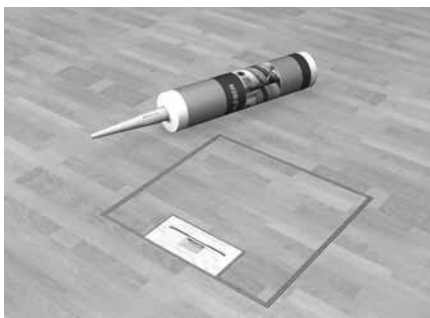
Place the cassette into the installation opening. Press the set screws into the soundproofing mounts of the UDS-ZuHause unit.

**Align cassette EKQ06**



Using the four set screws, adjust the cassette to the required height. The cassette must be flush with the top edge of the finished flooring.

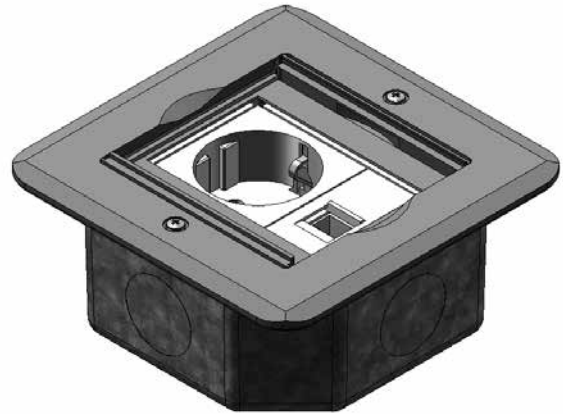
**Bond the flooring into place**



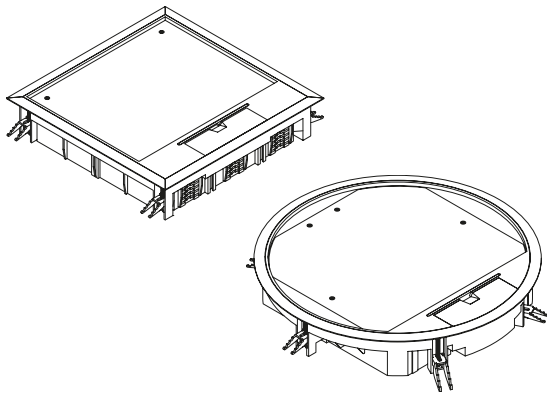
Cut a piece of flooring to size and bond in into the cassette cover.

**General instructions:**

Massive, high-quality floor sockets made of brushed stainless steel or bronze casting. Protection rating IP20, traversable, discrete and elegant. Suitable for floors, walls or furniture. Fitted with a Rastec 45® power socket and a RJ45 data module. Two variants are available. With the retractable variant, power socket and data module can be fully retracted to create a flush surface. With the hinged variant, two covers can be closed like a cabinet door.



6LE001951A

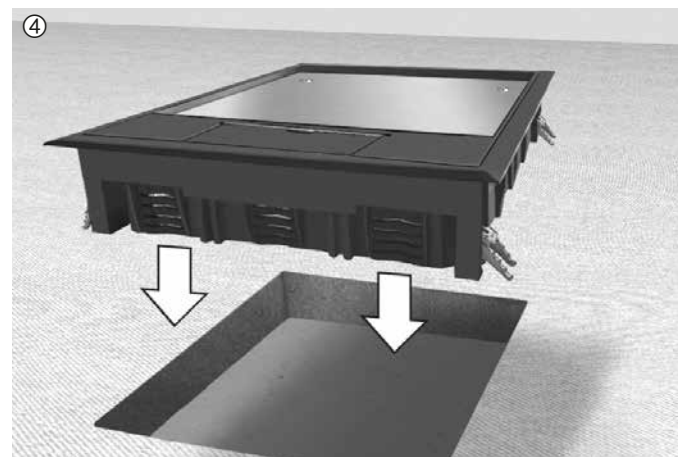
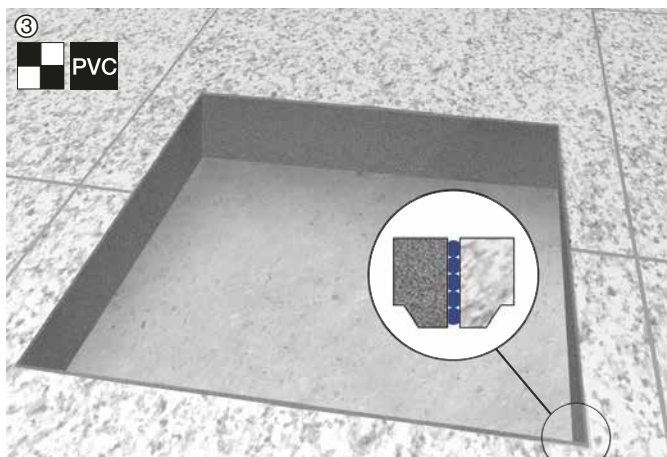
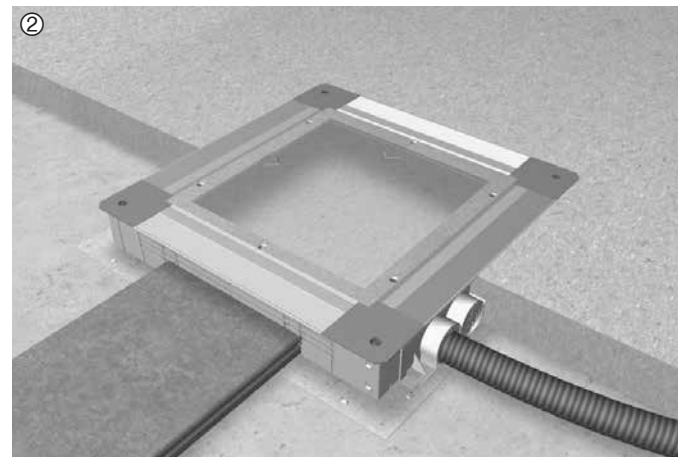
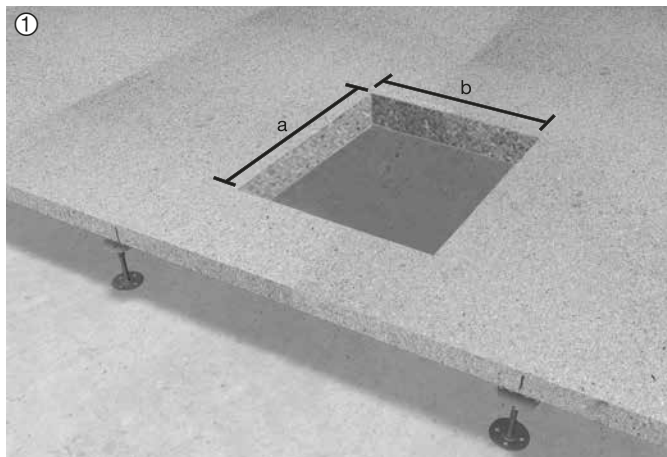
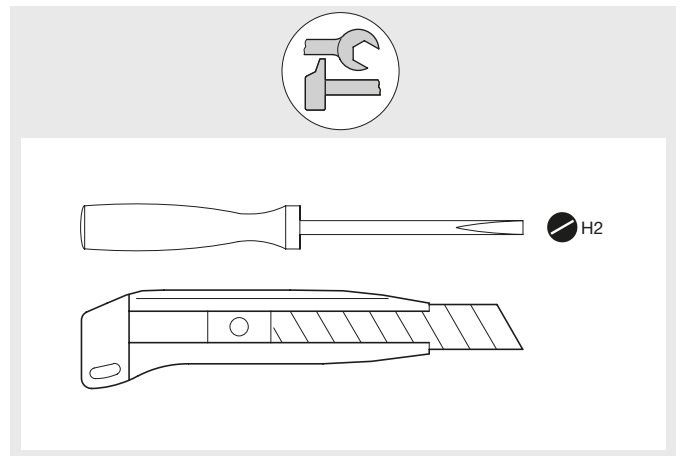
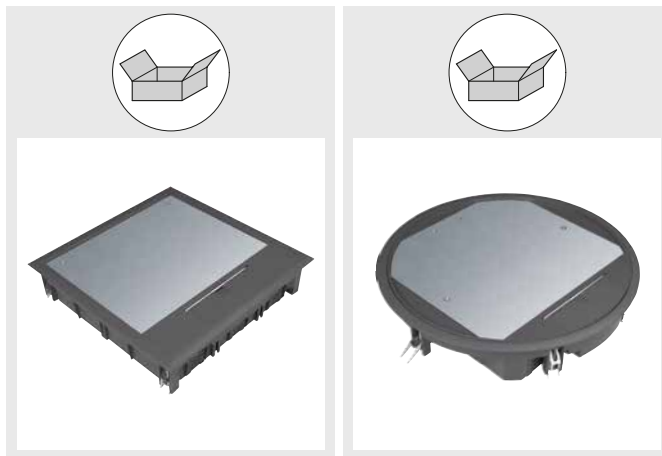


- (DE) Montageanleitung
- (FR) Notice d'instructions
- (GB) Mounting instructions
- (NL) Montage instructie
- (DK) Monteringsvejledning
- (FI) Asennusohje
- (NO) Montasjeanvisning
- (SE) Monteringsinstruktioner
- (IT) Istruzioni di montaggio
- (ES) Instrucciones de montaje
- (PT) Instruções de montagem
- (CZ) Montážní návod
- (BA) Uputstvo za montažu
- (UK) Інструкції з установки

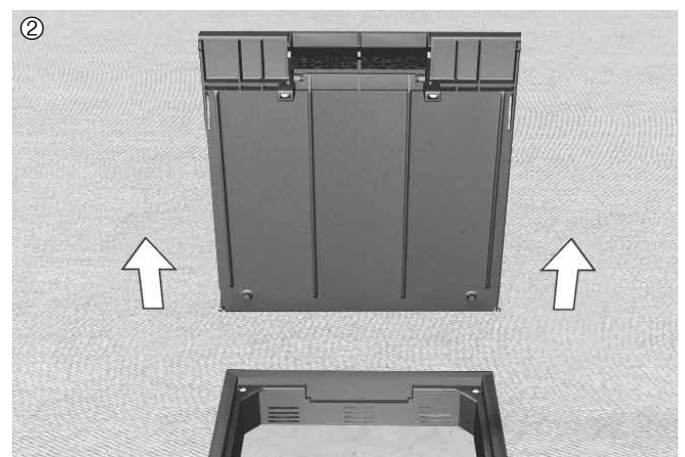
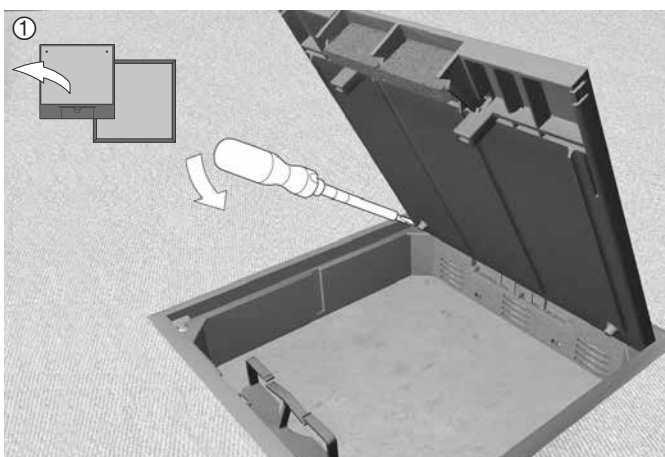
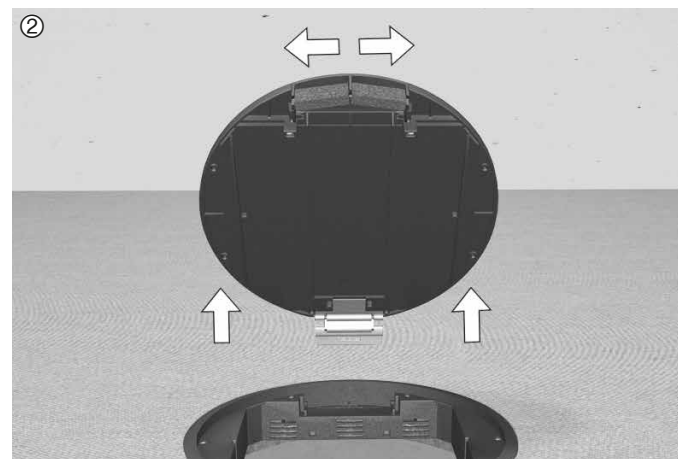
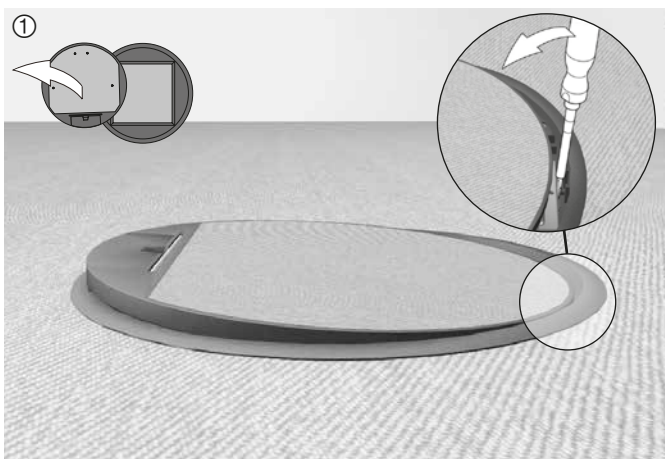
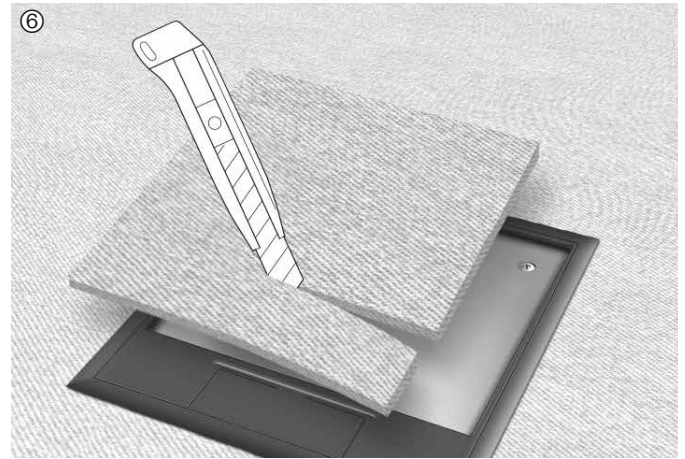
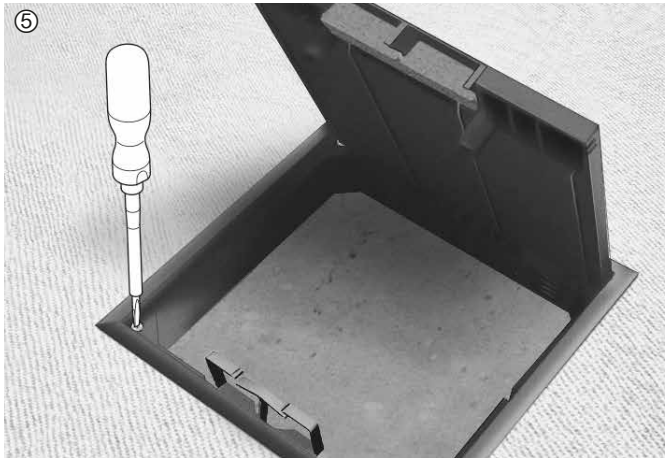
- (HR) Upute za montažu
- (HU) Szerelési útmutató
- (LT) Montavimo instrukcija
- (LV) Montāžas instrukcija
- (PL) Instrukcja montażowa
- (RO) Instrucțiuni de montare
- (SK) Návod na montáž
- (RU) Указания по установке
- (BG) Инструкции за монтаж
- (GR) Οδηγίες χώνευσης
- (SI) Navodilo za montažo
- (EE) Paigaldusjuhised
- (IS) Leiðbeiningar
- (AR) دليل التركيب

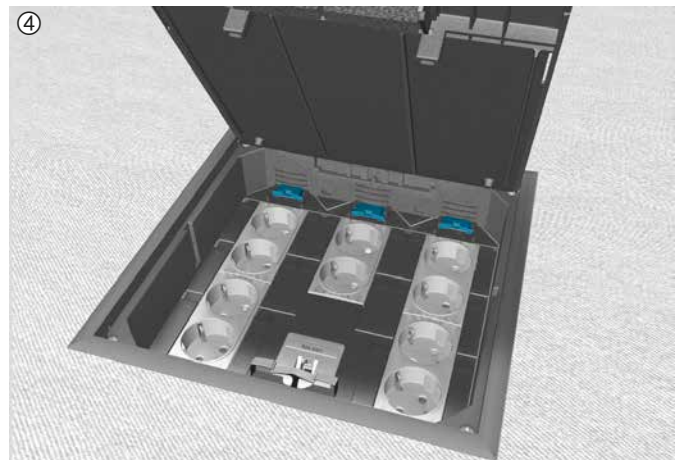
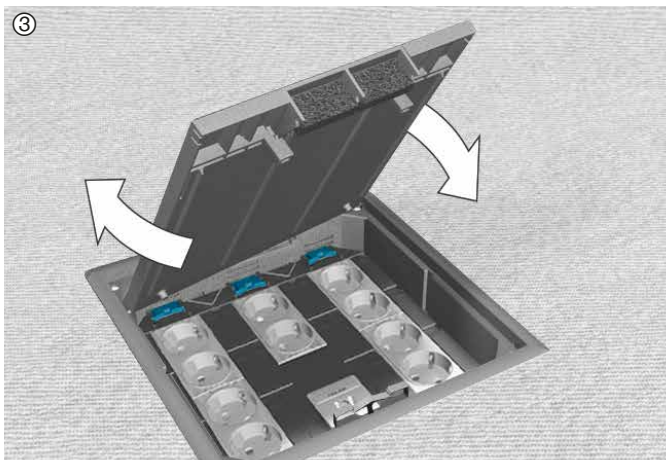
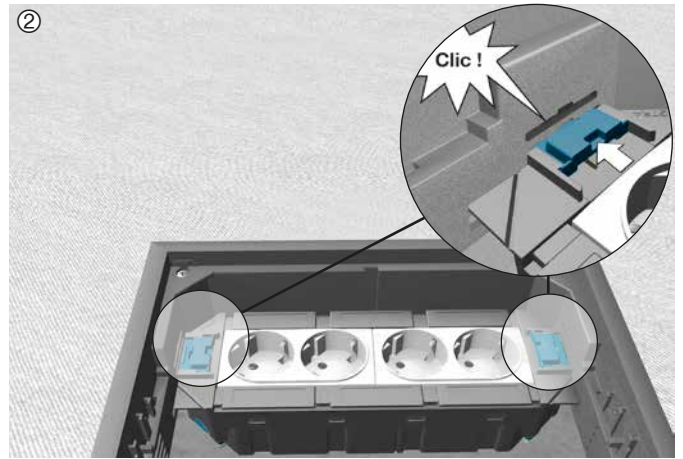
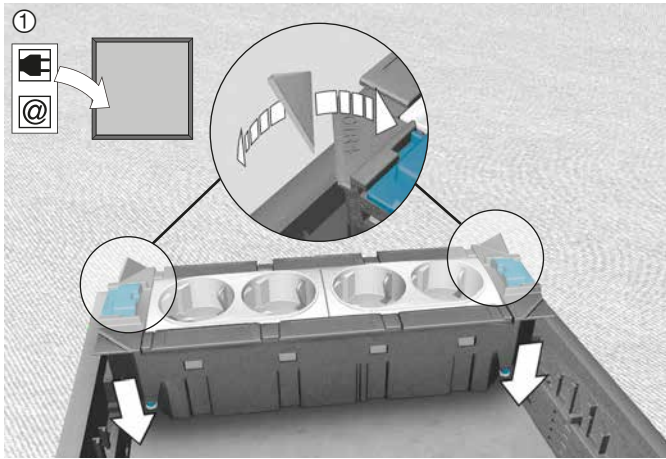
**EAC**

**VQ\*/VE\*/VR\***

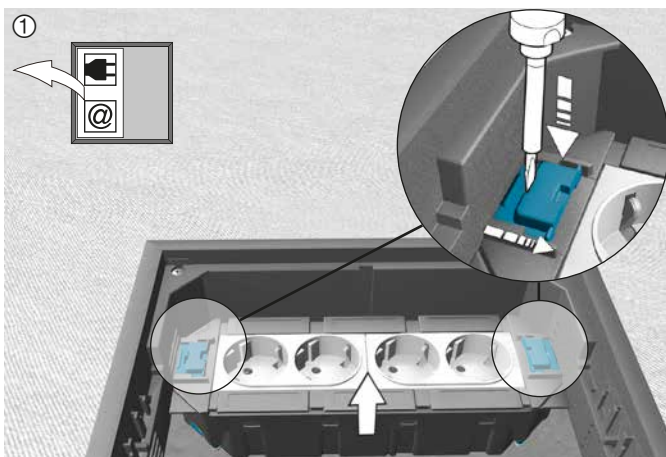


electraplan.VE-EE





electraplan.VE-EE





**General information:**

*Stepless* The threaded pins enable stepless height levelling.

*Latching bracket* Device casing sockets can be set to a lower position using an releasable latching bracket.

*Latching bracket extension* It is also possible to install a plug-in latching bracket extension.

*Solid* The units are characterised by their compact designs.

electraplan.VE-EE

**01 Exchange the protection cover**

Remove the protection cover immediately before laying the floor covering, and exchange it with a fitting frame. Use screws to attach it in the socket frame or in the levelling frame.

**02 Screw in the levelling set**

The cassette frame is elevated on four levelling sleeves with M8 threaded pins and retaining clamps. Screw the threaded pins into the sleeves and bring them to roughly the same height.

**03 Set the cassette in the mounting hole**

For mounting, the cassette is placed in the mounting hole and roughly levelled.

**04 Attach the cassette**

The retaining clamps are attached to the bare floor using knock-in anchors or screws.

**05 Connect the protective conductor**

The protective conductor connection cable is to be included in the on-site earthing measures.

**06 Lay the floor covering**

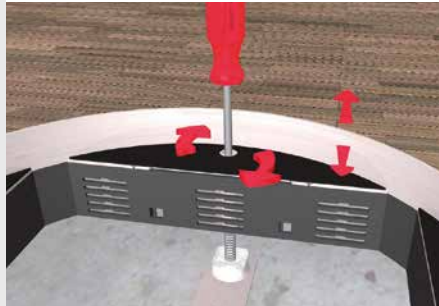
The floor covering should fit to the stainless steel cassette via an expansion joint.

**07** Glue the floor covering in the cassette cover



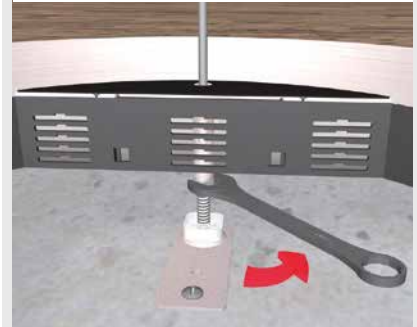
Glue the floor covering so that it fits precisely into the cassette lid. A packing plate can be supplied on request to reduce the inner height.

**08** Level the cassette



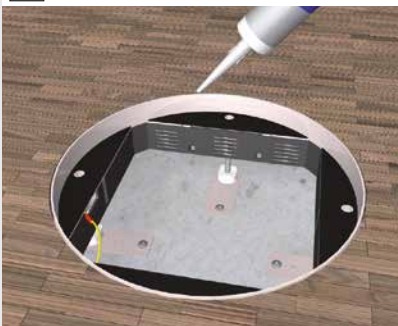
The cassette is levelled to the exact height of the floor using the threaded pins.

**09** Tighten the lock nut



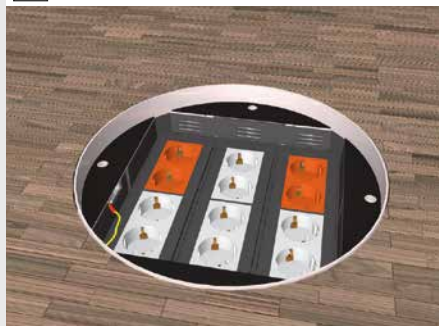
Tighten the lock nut against the levelling sleeve. This prevents loosening of the threaded pin through vibration.

**10** Seal the expansion joint



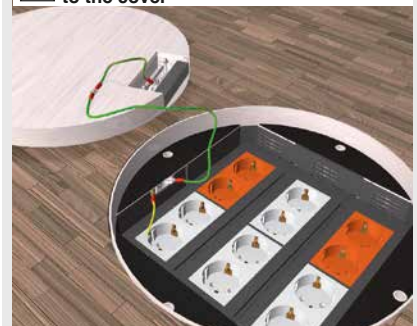
Seal the expansion joint between the cassette and the floor covering using an elastic caulk.

**11** Equip the cassette



Equip the cassette with the appropriate power and data technology.

**12** Connect the protective conductor to the cover



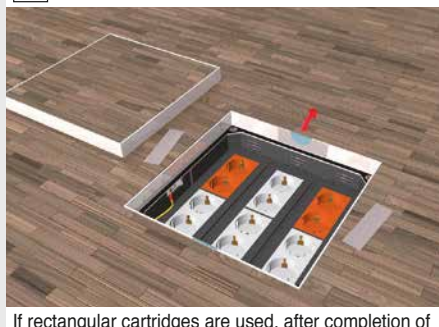
Plug the protective conductor connection cable of the cassette cover onto the earthing point of the frame.

**13** Close the cassette



Insert the cassette cover into the frame.

**14** For rectangular cartridges

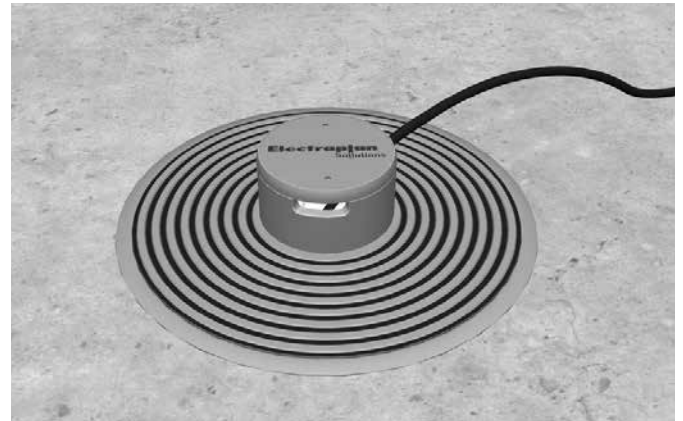


If rectangular cartridges are used, after completion of the final floor covering, the spacer plate should be removed so that the cover can be inserted easily into the cassette.

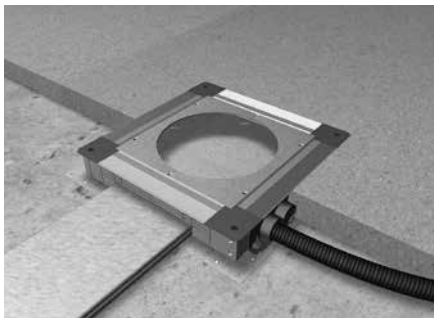
**General instructions:**

**Cleaning**

Carefully clean all sealing surfaces of the cover each time you close it.

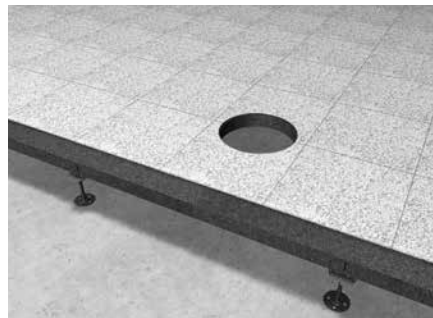


**Installation in universal junction box**



Replace the screed protection cover by fitting frame UDM3306R12.

**Installation in cavity floor or raised floor**



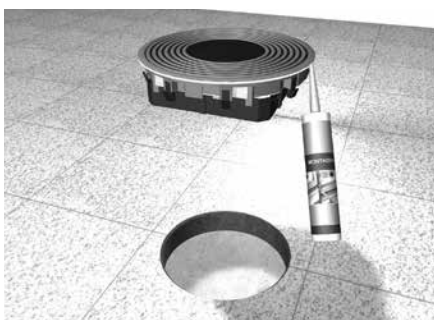
Create an installation opening with a diameter of 306 mm (tolerance + 1 mm) in the raised floor or cavity floor.

**Lay the flooring**



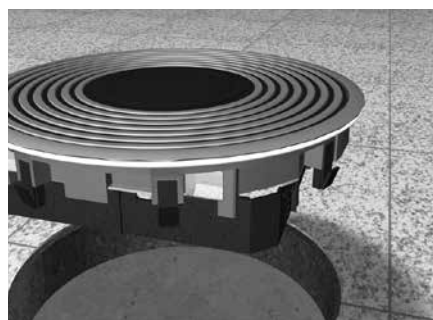
Hard flooring such as wood, PVC or tiles should be worked around the service unit leaving space for an expansion joint.

**Seal the service unit**



Apply suitable sealant to the lower surface of the flooring frame.

**Check the mounting kit**



Check the distance between the mounting kit and the height of the floor construction and push the service unit into the installation opening. If it is difficult to push in, turn out the screws of the mounting kit until the mounting kit engages in the floor panel from below.

**Align the service unit**



Align the service unit to suit the premises. Consider the opening direction of the cover.



**Attach the service unit**



Slightly turn in the inner screws of the eight mounting kits.

**Remove the cover (optional)**



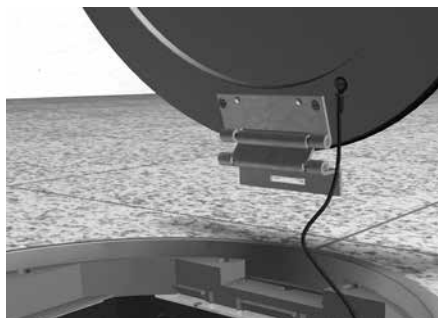
The cover can be separated from the frame to facilitate installation. Open the cover and pull it away from the hinge. This provides access to the screws of the mounting kit and a slot at the hinge.

**Release the snap lock**



Insert the screwdriver into the slot in the hinge piece until resistance is noticeable. Push down the screwdriver, pivoting it toward the cover. The motion combined with a slight jerk will release the latching mechanism.

**Pull off the cover**



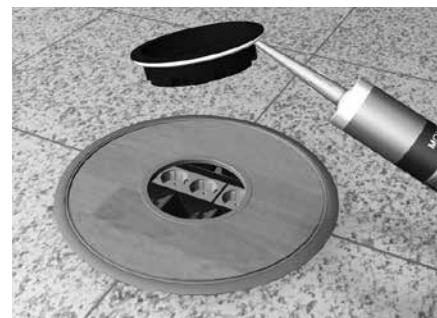
Pull off the cover. Work the hinge piece out of its seat by wiggling it left and right.

**Service unit with flooring**



A service unit suitable for bonding in 3-mm flooring is available as an option. This requires accurate trimming of the flooring.  
Outer Ø = 293 mm  
Inner Ø for aluminium tube = 107,5 mm  
Inner Ø for polyamide tube = 129,5 mm

**Bond in the polyamide tube**



When installing service unit VANR1200TU, suitable sealant must be applied to the lower surface of the flooring frame of the polyamide tube after bonding in the flooring.

**Prise open the polyamide tube lid**



When installing service unit VAN with polyamide tube, insert a screwdriver into the two perforations and lever it upward to push up the lid.

**Turn the polyamide tube centre piece**



Remove the centre piece of the tube cable outlet by hand, reverse it by 180° and push it back on. The cover of the service unit can now be opened by reaching into the opening and pulling it upward.

**Attach the polyamide tube centre piece**



Use the two screws clipped in the tube lid to secure the tube centre piece to the cover of the service unit. The tube is now secured against lateral force and will remain in position.

**Thread in the cables**



Open the cover and feed the cables through the opening of the polyamide tube into a power socket. Carefully clean all sealing surfaces before closing the cover.

**Close the polyamide tube**



Carefully close the cover of the service unit. Snap the bayonet fitting of the tube lid into the centre piece and close it. The service unit is now protected against splash water (according to DIN VDE 0634) of up to 30 mm

**Screw on the aluminium tube lid**



When installing a VAN service unit with aluminium tube, unscrew the aluminium tube lid using pin wrench TUSS000 and remove it. The cover of the service unit can now be opened by reaching into the opening and pulling it upward.

**Screw in the aluminium tube**



Screw aluminium tube TULAA105 into the thread of the service unit cover.

**Thread in the cables**



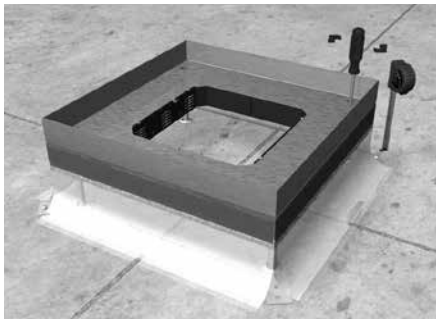
Open the cover and feed the cables through the opening of the aluminium tube into a power socket. Carefully clean all sealing surfaces before closing the cover.

**Close the aluminium tube**



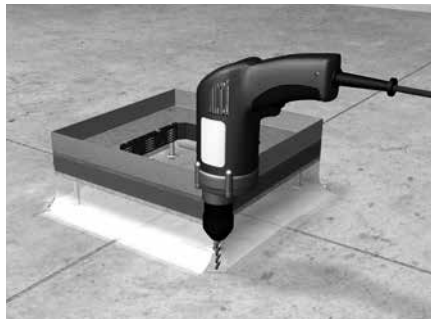
Carefully close the cover of the service unit. Screw the tube closing ring into the tube lid at the cable outlet. The service unit is now protected against splash water (according to DIN VDE 0634) of up to 30 mm.

**Level the cassette frame**



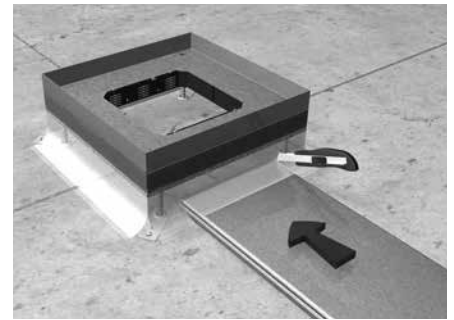
Position the angled frame with the cassette frame screwed to it on the slab and use the set screws to adjust the height.

**Attach the cassette frame**



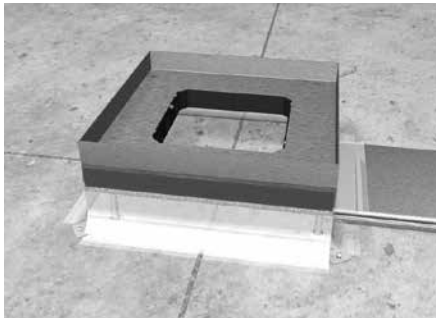
Secure the retaining tabs to the slab.

**Feed in the trunking**



Cut in the film formwork to fit height and width of the trunking. Lift the film flap and push the trunking approx. 40 mm below the cassette frame.

**Seal the cassette frame**



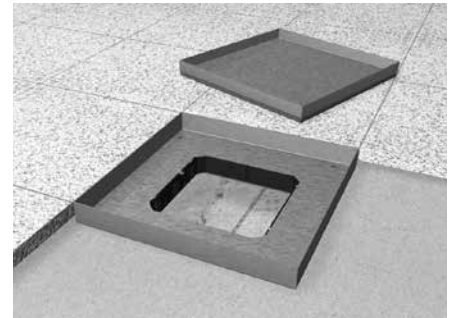
Seal all openings and joints.

**Earthing measures at cassette frame**



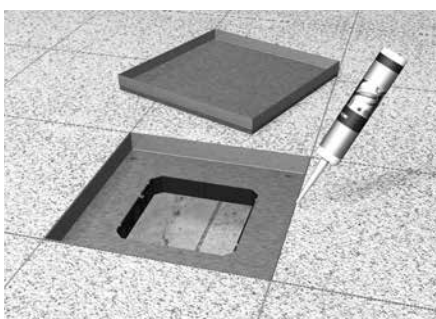
The earthing cable must be connected to the earthing measures provided on site.

**Lay screed and flooring**



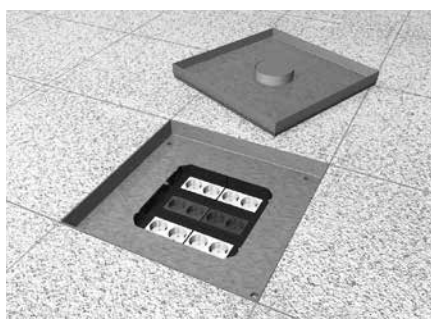
Work screed or flooring around the cassette frame leaving space for an expansion joint, ensure absolute cleanliness in the cassette area.

**Seal the expansion joint**



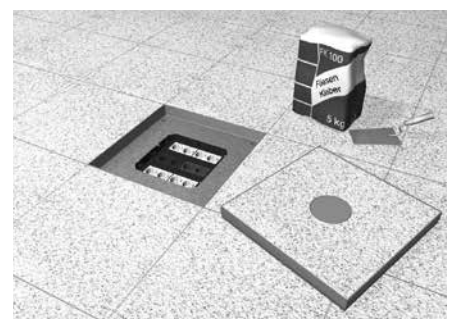
Seal the expansion joint around the cassette frame using an elastic sealant.

**Fit the cassette**



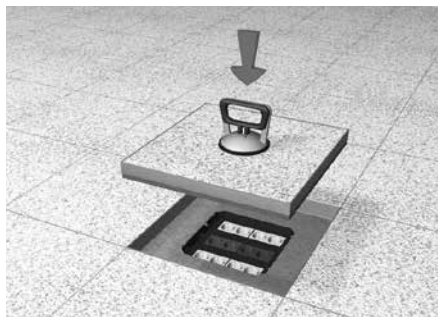
Install the device casings with their power sockets and data modules into the latching rail.

**Bond the flooring into the cassette cover**



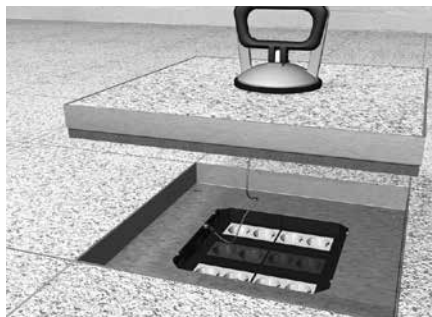
Cover cassette cover with flooring. Ensure that the adhesive is evenly spread and that the flooring is flat on the cassette cover, as otherwise the flooring may break.

#### Install the cassette cover



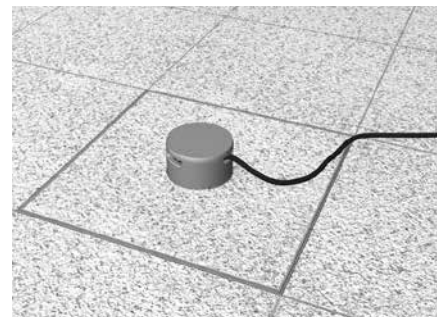
Once screed and flooring adhesive have sufficiently hardened, install the cassette cover into the cassette frame using a suction lifter (e.g. BKZSH30).

#### Earthing measures at cassette cover



Use the earthing cable to connect the cassette cover to the cassette frame.

#### Cassette cover with tube



If lines are to be routed out of the cassette, then an aluminium tube TULAA105 can be screwed onto the cassette using a tube mounting kit.

#### Suitable for high loads

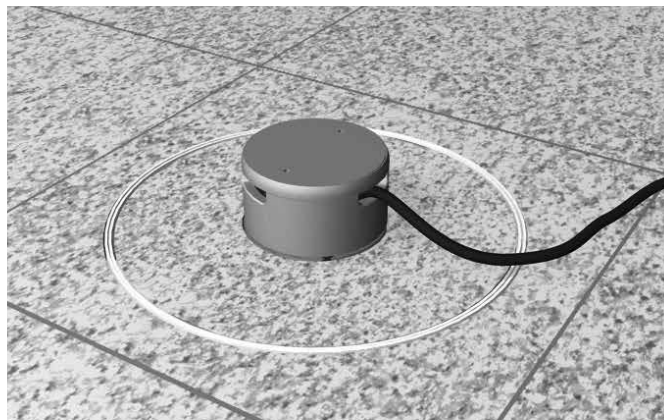


The heavy-duty cassette is designed for loads up to 20,000 Newton.

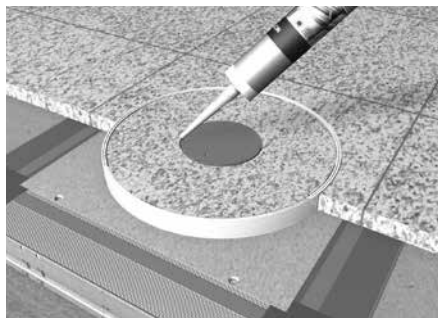
**General instructions:**

We recommend to protect the visible areas against damage during construction work.

The installation instructions apply to all installation units with tube cable outlets made of aluminium. This includes for example stainless-steel cassettes, heavy-duty cassettes but also service unit VANR12.

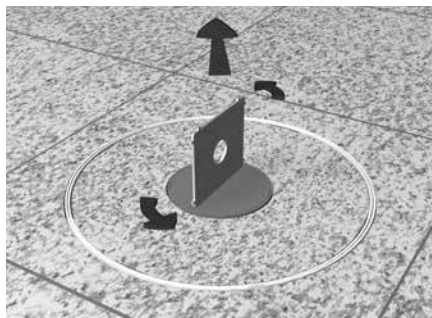


**Seal against moisture**



The flooring must be flush with the top edge of the cassette cover or outer frame. The joint between flooring and tube mounting set must be sealed against moisture by the customer.

**Open the tube lid**



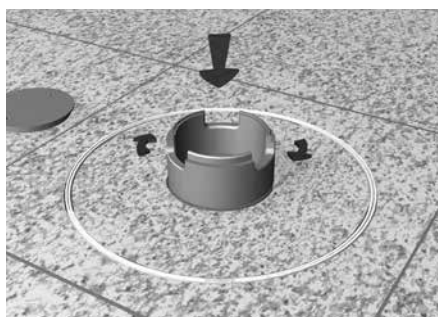
Open the lid of the tube mounting set using pin wrench TUSS000 (to be ordered separately).

**Check the rubber seal**



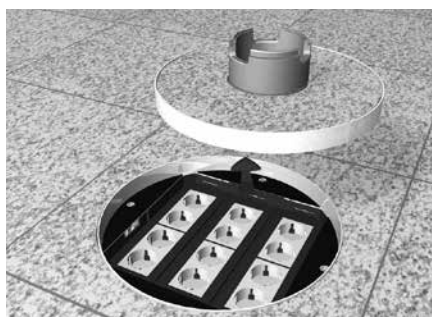
After unscrewing the tube lid, ensure that the rubber seal is correctly located in the tube mounting set and does not stick to the tube lid. The rubber seal should be lubricated with petroleum jelly ('Vaseline') in regular intervals.

**Screw in the tube cable outlet**



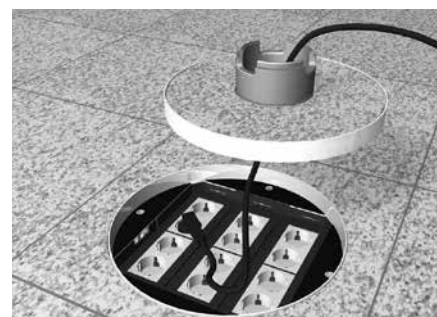
Screw the tube cable outlet onto the tube mounting set by hand.

**Remove the cassette cover**



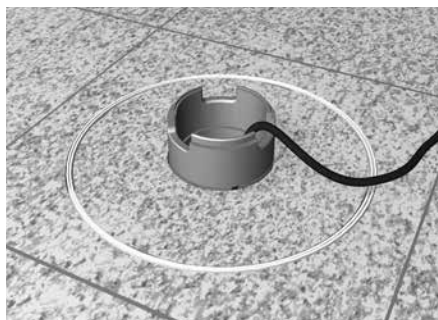
Remove the cassette cover upward.

**Thread in the connection cables**



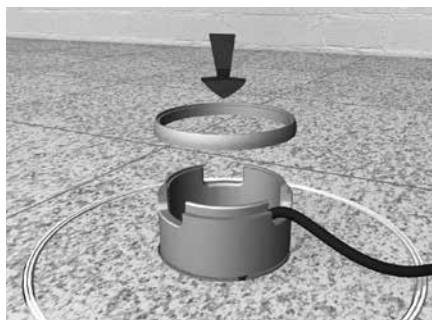
Thread the connection cable from above through the tube cable outlet and plug it into the installation device.

**Close the cassette cover**



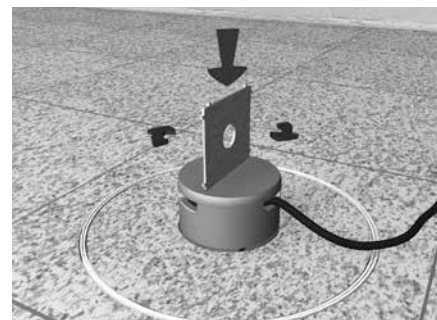
Reinstall the cassette cover and place the connecting cable into one of the three cut-outs of the tube cable outlet.

**Position the tube closing ring**



Position the tube closing ring from above onto the tube cable outlet.

**Close the tube cable outlet**



Screw the tube lid into the tube cable outlet using pin wrench TUSS000 (to be ordered separately).

**Suitable for high loads**



The robust tube cable outlet is made of aluminium and is designed for high loads. The loads specified for cassette and junction box must be observed.

**General instructions:**

**Projecting**

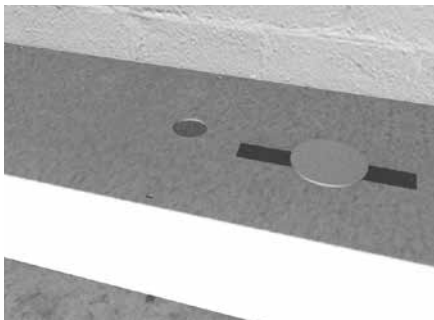
Pedestal boxes made of polyamide for installation on top of the floor.

**Furnishing**

The largest variant accommodates two voltages, 8 installation fields and up to sixteen installation devices.

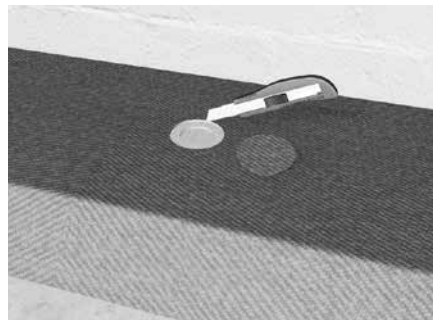


**Remove the protective cover**



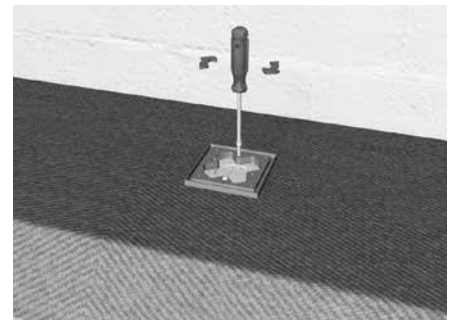
The installation opening covers (AKMGBZ, to be ordered separately) of the corresponding trunking systems are fitted with protective covers at the factory. These must be removed directly before laying the flooring.

**Cut out the installation opening**



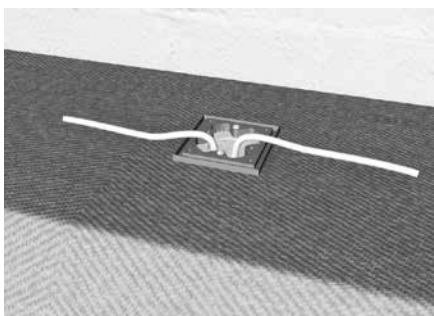
Once the flooring is laid, cut out the installation openings.

**Install the base**



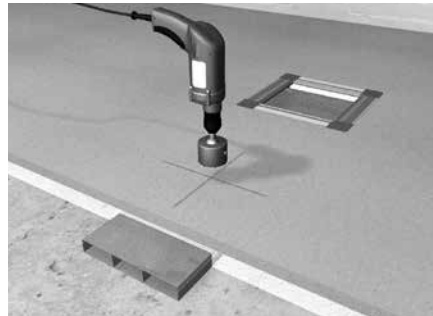
The base of the pedestal box is fixed to the installation opening using the two bolts M4 x 40 mm provided.

**Thread in the cables**



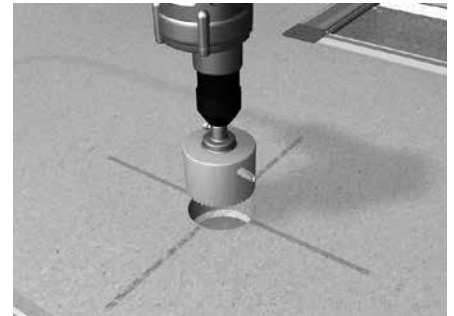
Route the cables through the installation opening and the base.

**Drill the screed**



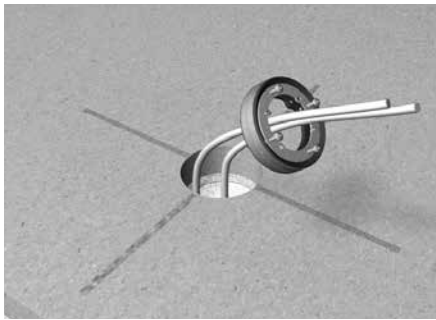
Cut a hole into the screed down to the underlying trunking using a carbide hole saw.

**Cut a hole into the trunking**

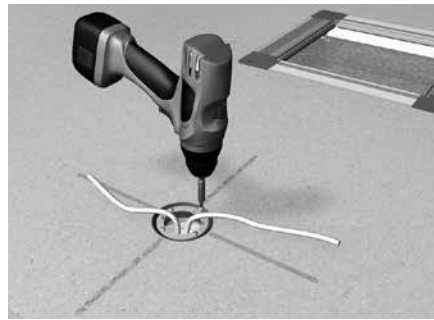


Cut a hole into the trunking using a hole saw.

**Thread the cables through the clamping ring    Clamp the clamping ring**

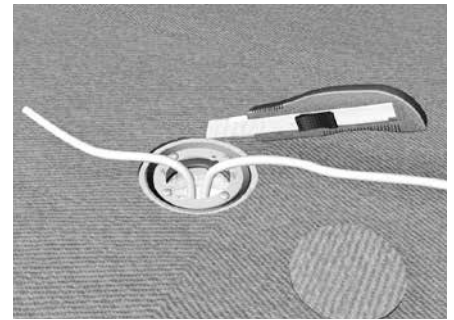


Thread the cables out of the underfloor trunking and through the drilled outlet / clamping ring GBZKR00 (to be ordered separately) so that the screw heads point upward.



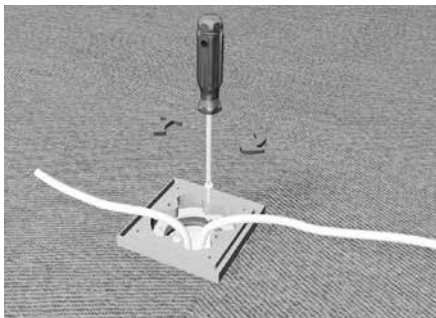
Install the clamping ring into the drilled hole and tighten the screws to clamp it.

**Cut out the holes**



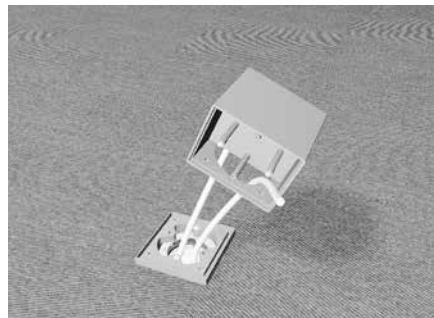
After laying the flooring, cut out the drill holes using a cutter.

**Install the base**



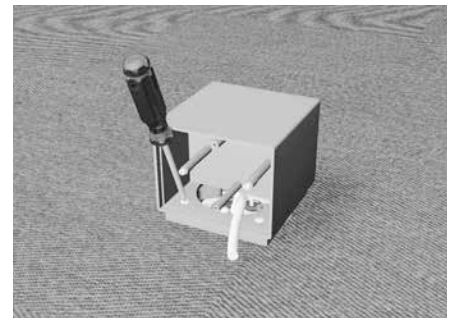
Secure the base of the pedestal box in the clamping ring using two bolts M4 x 40 mm.

**Thread in the cables**



Route the cables from below through the pedestal box (observing the distribution of installation slots and voltages types). Pedestal boxes with 4 or 8 installation fields require a partition wall to be fitted.

**Fasten the pedestal box**



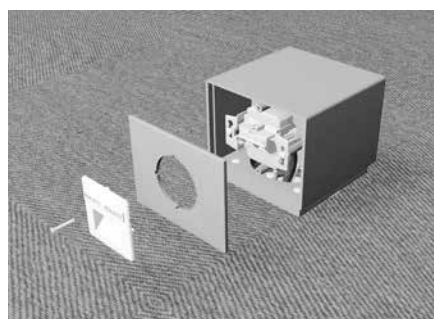
Position the pedestal box on the base and secure it using four bolts M4 x 12 mm.

**Secure the blank plate**



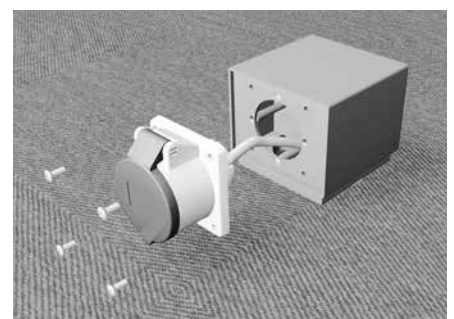
Secure the blank plate in the pedestal box using two screws.

**Installation wall for 1 x standard D**



Connect the cables to the installation device and secure it in the pedestal box using two screws. Insert the installation walls and screw down the central plate of the installation device.

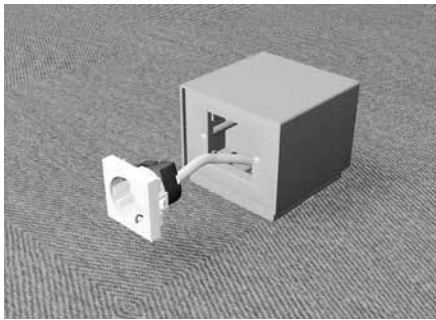
**Installation wall for 1 x CEE**



Thread the cables through the installation wall and the rubber part (rubber part included in delivery package of CEE power socket). Secure the installation wall in the pedestal box using two screws. Connect the cables to the CEE power sockets and secure the CEE power sockets to the installation wall using four bolts M4 x16 mm.

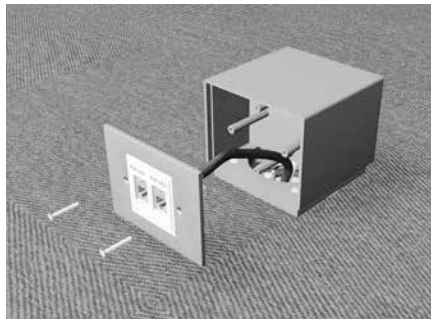


Installation wall for 1 x Rastec 45®



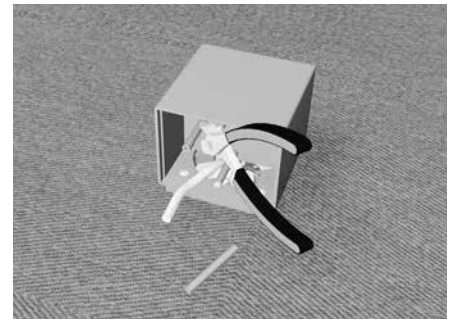
Thread the cables through the installation wall and secure the installation wall to the pedestal box using two screws. Connect the cables to the installation devices and snap the installation devices into the installation wall.

Installation wall for 1 x Rastec 45®



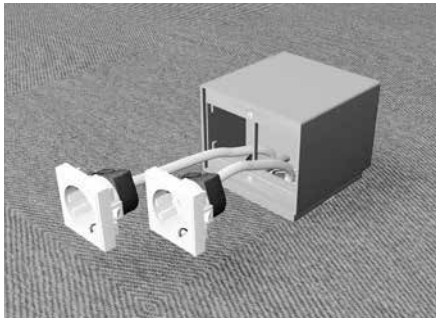
Devices such as telephone or data sockets must be installed into the respective mounting plates beforehand.

Installation wall for 2 x Rastec 45®



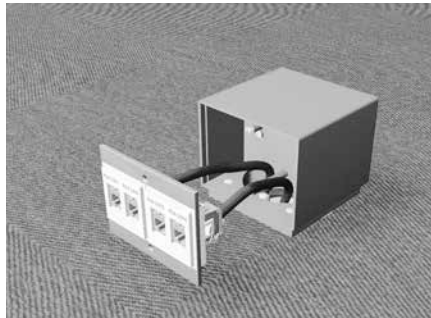
Cut off the two outer studs as close as possible at the rear wall using a wire cutter or nipper pliers.

Installation wall for 2 x Rastec 45®



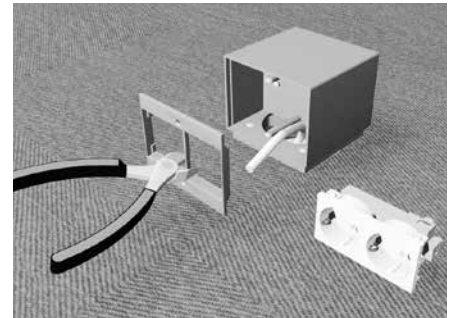
Thread the cables through the installation wall and secure the installation wall to the pedestal box using two screws. Connect the cables to the installation devices and snap the installation devices into the installation wall.

Installation wall for 2 x Rastec 45®



Devices such as telephone or data sockets must be installed into the respective mounting plates beforehand.

Installation wall for double Rastec 45®



When using twin-type sockets of type Rastec 45®, the centre rib at the installation wall must be removed using a wire cutter.

# Device casings - Installation devices

## electraplan.GB-EG

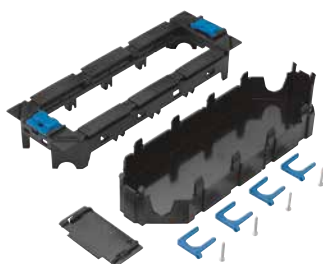
### Snap-in system

Quicker, more convenient and more reliable than any other system: Device casings, sockets and other accessories are matched for a perfect fit and can be plugged together thanks to their accurately engaging tabs – without the hassle of screw-type connections. This saves time and money. Individually customised solutions can be realised with ease.

electraplan.GB-EG



electraplan.GB-EG	
Device carriers	218
<hr/>	
Device casings	219
<hr/>	
Schuko power sockets 33°	221
<hr/>	
Device-casing assembled	222
<hr/>	
Data module, fine-level surge protection device and accessories	223
<hr/>	
BK/Sat-, VGA-, HDMI-, USB- junction boxes	223
<hr/>	
CEE mounting panels and CEE power sockets	228
<hr/>	
Order number system	229
<hr/>	
Technical information	231
<hr/>	



GTVR400

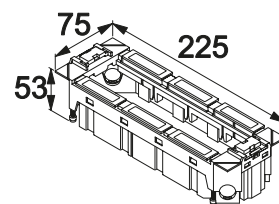
**Device carriers for service units VQ12, VR12 or VR10 (centre)**

**Properties:**

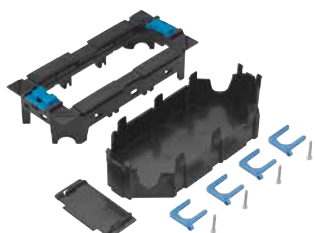
- For 4 Schuko power sockets R45 or up to 3 installation devices with support bracket
- Including 4 strain reliefs and 1 partition wall
- Dimensions: 53 x 75 x 225 mm (H x W x L)
- Assembly type: snap-in, with latch
- Material: PC/ABS, halogen-free
- Delivery colour: graphite black

**Note:**

- Matching blanking cover 45 x 45 mm in pure white: L4750



Designation	PU	Order no.
Device carrier f 4 installation dev. Rastec	1	<b>GTVR400</b>



GTVR300

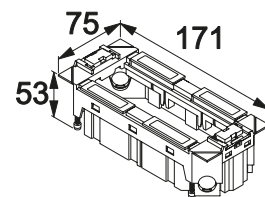
**Device carrier for service unit VQ06, VR06 or VR10 (left and right)**

**Properties:**

- For 3 Schuko power sockets R45 or up to 2 installation devices with support bracket
- Including 4 strain reliefs and 1 partition wall
- Dimensions: 53 x 75 x 171 mm (H x W x L)
- Assembly type: snap-in, with latch
- Material: PC/ABS, halogen-free
- Delivery colour: graphite black

**Note:**

- Matching blanking cover 45 x 45 mm in pure white: L4750



Designation	PU	Order no.
Device carrier f 3 installation dev. Rastec	1	<b>GTVR300</b>



L4750

**Blanking cover**

**Properties:**

- 45 x 45 mm
- RAL 9010, pure white

Designation	PU	Order no.
Blanking cover 2M RAL 9010	10	<b>L4750</b>



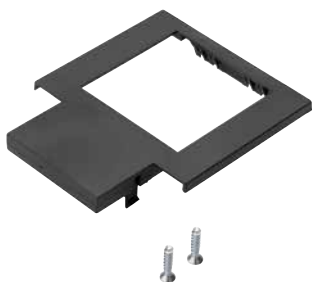
GTVRT00

**Device carrier partition wall**

**Properties:**

- for device carrier GTVR400 und GTVR300
- To meet additional demand

Designation	PU	Order no.
Device carrier partition wall for GTVR300/400	1	<b>GTVRT00</b>



GTMBV34T1

**Media covers**

**Properties:**

- For installation of support bracket devices in device carrier GTVR400 or GTVR300
- Opening: 48 x 48 mm
- GTMBV34T1 covers: 1/2 GTVR400 or 2/3 GTVR300
- GTMBV30T2 covers: 3/3 GTVR300
- GTMBV04T2 covers: 3/4 GTVR400
- GTMBV04T3 covers: 4/4 GTVR400

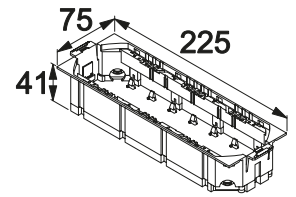
Designation	PU	Order no.
Device carrier media cov. f 1 support bracket device	1	<b>GTMBV34T1</b>
Device carrier media cov. f 2 support bracket device	1	<b>GTMBV30T2</b>
Device carrier media cov. f 2 support bracket device	1	<b>GTMBV04T2</b>
Device carrier media cov. f 3 support bracket device	1	<b>GTMBV04T3</b>



**Device casing for service unit VQ12, VR12 or VR10 (centre)**

**Properties:**

- for 4 Schuko power sockets or 4 installation devices Rastec 45 (e. g. 4 Schuko power sockets) or 3 installation devices with support bracket
- Including 4 strain reliefs and 1 partition wall
- Dimensions: 41 x 75 x 225 mm (H x W x L)



GBVR400

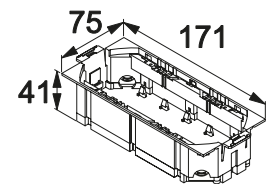
Designation	PU	Order no.
Device casing f 4 installation dev. Rastec	28	<b>GBVR400</b>



**Device casing for service unit VQ06, VR06 or VR10 (left and right)**

**Properties:**

- for 3 Schuko power sockets or 3 installation devices Rastec 45 (e. g. 3 Schuko power sockets) or 2 installation devices with support bracket
- Including 4 strain reliefs and 1 partition wall
- Dimensions: 41 x 75 x 171 mm (H x W x L)



GBVR300

Designation	PU	Order no.
Device casing f 3 installation dev. Rastec	35	<b>GBVR300</b>



**Device casing partition wall**

**Properties:**

- For device carrier GTVR400 und GTVR300
- To meet additional demand

GBVRT00

Designation	PU	Order no.
Device casing partition wall f GBVR300/400	1	<b>GBVRT00</b>



**Cover plates**

**Properties:**

- For installation of Rastec 45 installation devices in device casing GBVR400 or GBVR300
- Including 4 strain reliefs and 1 partition wall
- GBMBV34R1 covers: 1/3 GBVR300 or 1/4 GBVR400 opening 45 x 45 mm
- GBMBV34R2 covers: 2/3 GBVR300 or 2/4 GBVR400 opening 45 x 90 mm
- GBMBV34R3 covers: 3/3 GBVR300 or 3/4 GBVR400 opening 45 x 135 mm

GBMBV34R1

**Note:**

- Matching blanking cover 45 x 45 mm in pure white: L4750

Designation	PU	Order no.
Device casing cover plate for 1 x Rastec	12	<b>GBMBV34R1</b>
Device casing cover plate for 2 x Rastec	12	<b>GBMBV34R2</b>
Device casing cover plate for 3 x Rastec	12	<b>GBMBV34R3</b>



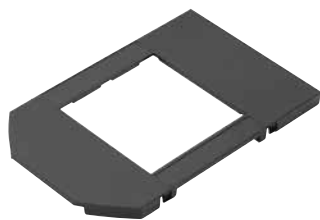
**Blinking cap Rastec 45**

**Properties:**

- Blinking cap for Rastec 45
- Abma.e 1-module: 45 x 22.5 mm
- Abma.e 2-module: 45 x 45 mm
- RAL9010, pure white

EMR019010

Designation	PU	Order no.
Cover blank GBMBV34R1/R2/R3 45x22.5 pure white	1	<b>EMR019010</b>
Cover blank GBMBV34R1/R2/R3 45x45 pure white	1	<b>EMR029010</b>



GBMBV23T1

**Cover plates**

**Properties:**

- For installation of support bracket devices in device casing GBVR400 or GBVR300
- Opening: 48 x 48 mm
- RAL 9005, deep black
- GBMBV23T1 covers: 2/3 GBVR300 or 1/4 GBVR400
- GBMBV23T2 covers: 3/3 GBVR300 or 3/4 GBVR400
- GBMBV03T3 covers: 4/4 GBVR400

Designation	PU	Order no.
Device casing cover pl f 1 support bracket device	12	<b>GBMBV23T1</b>
Device casing cover pl f 2 support bracket device	12	<b>GBMBV23T2</b>
Device casing cover pl f 3 support bracket device	12	<b>GBMBV03T3</b>



GBVTB48

**Blanking cap**

**Properties:**

- Blanking cap closing opening 48 x 48 mm
- RAL 9005, deep black

Designation	PU	Order no.
- Blanking cap for 48 x 48 mm	12	<b>GBVTB48</b>

- Schuko power socket 33° Rastec 45 2-pole 16 A / 250 V
  - Spring-loaded terminals
  - Dimensions of single module: 45 x 45 mm
  - Dimensions of double module: 45 x 90 mm
  - Dimensions of triple module: 45 x 135 mm
- Available colours**  
RAL 9010, pure white  
RAL 2004, pure orange  
RAL 6029, mint green



ESR1339010

**Schuko power socket 33° Rastec 45, single**

Designation	PU	Order no.
Schuko power socket single Rastec 33G rw	20	<b>ESR1339010</b>
Schuko power socket single Rastec 33G ro	20	<b>ESR1332004</b>
Schuko power socket single Rastec 33G mg	20	<b>ESR1336029</b>



ESR2339010

**Schuko power socket 33° Rastec 45, double**

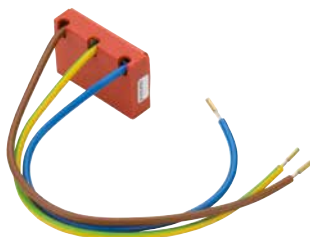
Designation	PU	Order no.
Schuko power socket double Rastec 33G rw	1	<b>ESR2339010</b>
Schuko power socket double Rastec 20G ro	1	<b>ESR2332004</b>
Schuko power socket double Rastec 33G mg	1	<b>ESR2336029</b>



ESR3339010

**Schuko power socket 33° Rastec 45, triple**

Designation	PU	Order no.
Schuko power socket triple Rastec 33G rw	1	<b>ESR3339010</b>
Schuko power socket triple Rastec 33G ro	1	<b>ESR3332004</b>
Schuko power socket triple Rastec 33G mg	1	<b>ESR3336029</b>



EUS315

**Overvoltage fine protection**

**Properties:**

- The overvoltage protection conductor is designed for line-side fine protection of electronic equipment and is provided, in particular, for installation in device casings, with acoustic fault signalling.
- EUS315 - Overvoltage protection module with 3 connecting lines, each 1.5 mm<sup>2</sup>, for connection of a single or multiple socket
- EUS615 - Overvoltage protection module with 6 connecting lines, each 1.5 mm<sup>2</sup>, for through wiring of several single sockets or multiple sockets

Designation	PU	Order no.
Fine protection with 3 connections, each 1.5 mm <sup>2</sup>	1	<b>EUS315</b>
Fine protection with 6 connections, each 1.5 mm <sup>2</sup>	1	<b>EUS615</b>

- Device casing fully assembled with Schuko outlets
- Connecting line length: 50 cm
- 3 x 1.5 mm<sup>2</sup> or 3 x 2.5 mm<sup>2</sup>
- Plug:  
WG: Wieland GST 18i/3  
WA: Wago Winsta

**Delivery colours**  
RAL 9010, pure white  
RAL 2004, pure orange

**Note**  
Further device casing combinations on request



GTV4RW0ROWG315

**Device casing, assembled**

Designation	PU	Order no.
Device casing 4 x socket pure white Wieland 3x1.5 mm <sup>2</sup>	1	<b>GTV4RW0ROWG315</b>
Device casing 4 x socket pure white Wieland 3x2.5 mm <sup>2</sup>	1	<b>GTV4RW0ROWG325</b>
Device casing 4 x socket pure white Wago 3x1.5 mm <sup>2</sup>	1	<b>GTV4RW0ROWA315</b>
Device casing 4 x socket pure white Wago 3x2.5 mm <sup>2</sup>	1	<b>GTV4RW0ROWA325</b>
Device casing 4 x socket pure orange Wieland 3x1.5 mm <sup>2</sup>	1	<b>GTV0RW4ROWG315</b>
Device casing 4 x socket pure orange Wieland 3x2.5 mm <sup>2</sup>	1	<b>GTV0RW4ROWG325</b>
Device casing 4 x socket pure orange Wago 3x1.5 mm <sup>2</sup>	1	<b>GTV0RW4ROWA315</b>
Device casing 4 x socket pure orange Wago 3x2.5 mm <sup>2</sup>	1	<b>GTV0RW4ROWA325</b>
Device casing sockets 2 pure white 2 pure orange Wieland 3x1.5 mm <sup>2</sup>	1	<b>GTV2RW2ROWG315</b>
Device casing sockets 2 pure white 2 pure orange Wieland 3x2.5 mm <sup>2</sup>	1	<b>GTV2RW2ROWG325</b>
Device casing sockets 2 pure white 2 pure orange Wago 3x1.5 mm <sup>2</sup>	1	<b>GTV2RW2ROWA315</b>
Device casing sockets 2 pure white 2 pure orange Wago 3x2.5 mm <sup>2</sup>	1	<b>GTV2RW2ROWA325</b>





WS256

**Antenna socket, triple, end socket**

Designation	PU	Order no.
Antenna socket, triple, end socket	1	<b>WS256</b>



WS257

**Antenna socket, triple, pass-through socket**

Designation	PU	Order no.
Antenna socket, triple, pass-through socket	1	<b>WS257</b>



WS276

**VGA socket**

Designation	PU	Order no.
VGA socket	1	<b>WS276</b>



WS263

**HDMI socket**

Designation	PU	Order no.
HDMI socket	1	<b>WS263</b>



WS265

**USB socket**

Designation	PU	Order no.
USB socket	1	<b>WS265</b>

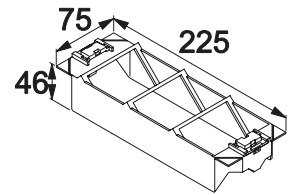


GTVD300

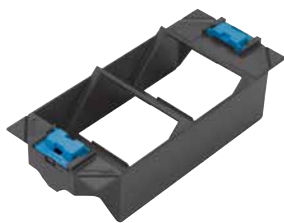
**Device carrier for 3 mounting plates for data equipment**

**Properties:**

- Device carrier for service units VQ12, VR12 or VR10 (centre)
- Accepts 3 mounting plates for data or media equipment
- Dimensions: 46 x 75 x 225 mm (H x W x L)
- Assembly type: snap-in, with latch
- Minimum installation depth: 70 mm with 5 mm flooring recess in the cover of the service unit
- Minimum installation depth: 77 mm with 12 mm flooring recess in the cover of the service unit
- Material: PC/ABS, halogen-free
- Delivery colour: RAL 9011, graphite black



Designation	PU	Order no.
Device carrier f. 3 mount. pl. f. data equ.	1	<b>GTVD300</b>

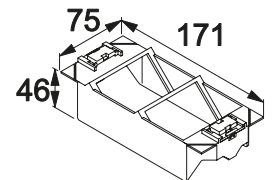


GTVD200

**Device carrier for 2 mounting plates for data equipment**

**Properties:**

- Device carrier for service unit VQ06, VR06 or VR10 (left and right)
- Accepts 2 mounting plates for data or media equipment
- Dimensions: 46 x 75 x 171 mm (H x W x L)
- Assembly type: snap-in, with latch
- Minimum installation depth: 70 mm with 5 mm flooring recess in the cover of the service unit
- Minimum installation depth: 77 mm with 12 mm flooring recess in the cover of the service unit
- Material: PC/ABS, halogen-free
- Delivery colour: RAL 9011, graphite black



Designation	PU	Order no.
Device carrier f. 2 mount. pl. f. data equ.	1	<b>GTVD200</b>



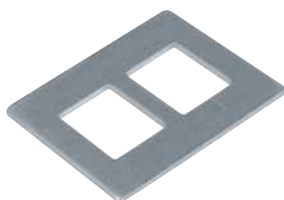
EDSRJ45C6A

**Data module RJ45 Cat.6a**

**Properties:**

- Data module Rutenbeck UMflex-real. Cat.6a in shielded (S) and on shielded versions (U)
- Can be used in connection with mounting plate GTVDM013 in device carrier GTVD300 or GTVD200

Designation	PU	Order no.
Data module Cat.6a shielded	1	<b>EDSRJ45C6A</b>
Data module Cat.6a unshielded	1	<b>EDURJ45C6A</b>



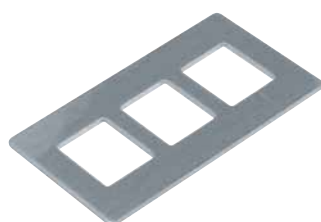
GTVDM012

**Mounting plate**

**Properties:**

- Mounting plate, double, metal, for data equipment with installation opening: 19.3 x 14.8 mm, e.g. Rutenbeck

Designation	PU	Order no.
Mounting plate GTVD2/300 2xRJ45 19,3x14,8	1	<b>GTVDM012</b>



GTVDM013

**Mounting plate**

**Properties:**

- Mounting plate, triple, metal, for data equipment with installation opening: 19.3 x 14.8 mm, e.g. Rutenbeck

Designation	PU	Order no.
Mounting plate GTVD2/300 3xRJ45 19,3x14,8	1	<b>GTVDM013</b>



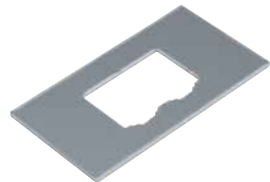
**Mounting plate**

**Properties:**

- Metal mounting plate for data equipment with installation opening: 20.4 x 27.7 mm, e.g. R&M

GTVDM022

Designation	PU	Order no.
Mounting plate data 2-f RJ45 20.4x27.7	1	<b>GTVDM022</b>



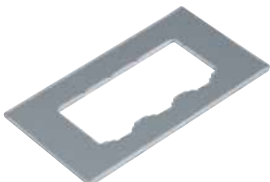
**Mounting plate**

**Properties:**

- Metal mounting plate for data equipment with installation opening: 19.5/21.7 x 14.85 mm, e.g. BRT

GTVDM032

Designation	PU	Order no.
Mounting plate data 2-f RJ45 19.5x14.85	1	<b>GTVDM032</b>



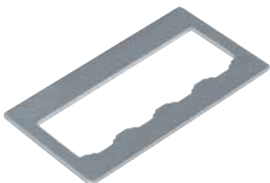
**Mounting plate**

**Properties:**

- Metal mounting plate for data equipment with installation opening: 19.5/21.7 x 14.85 mm, e.g. BRT

GTVDM033

Designation	PU	Order no.
Mounting plate data 3-f RJ45 19.5x14.85	1	<b>GTVDM033</b>



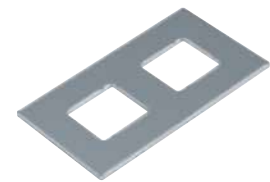
**Mounting plate**

**Properties:**

- Metal mounting plate for data equipment with installation opening: 19.5/21.7 x 14.85 mm, e.g. BRT

GTVDM034

Designation	PU	Order no.
Mounting plate data 4-f RJ45 19.5x14.85	1	<b>GTVDM034</b>



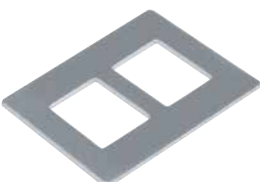
**Mounting plate**

**Properties:**

- Metal mounting plate for data equipment with installation opening: 17.2 x 18.3 mm, e.g. Lexcom

GTVDM042

Designation	PU	Order no.
Mounting plate data 2-f RJ45 17.2x18.3	1	<b>GTVDM042</b>



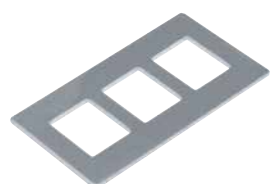
**Mounting plate**

**Properties:**

- Mounting plate, double, metal, for accommodating data equipment with installation opening: 20.1 x 14.8 mm e.g. AMP

GTVDM052

Designation	PU	Order no.
Mounting plate GTVD2/300 2xRJ45 20,1x14,8	1	<b>GTVDM052</b>



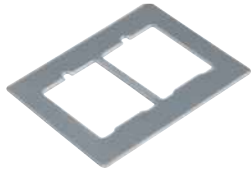
**Mounting plate**

**Properties:**

- Mounting plate, triple, metal, for accommodating data equipment with installation opening: 20.1 x 14.8 mm e.g. AMP

GTVDM053

Designation	PU	Order no.
Mounting plate GTVD2/300 3xRJ45 20,1x14,8	1	<b>GTVDM053</b>



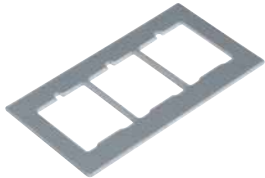
GTVDM062

**Mounting plate**

**Properties:**

- Metal mounting plate for data equipment with installation opening: 18 x 22.8 mm, e.g. Corning

Designation	PU	Order no.
Mounting plate GTVD2/300 2xRJ45 18x22,8	1	<b>GTVDM062</b>



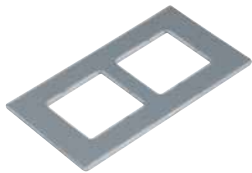
GTVDM063

**Mounting plate**

**Eigenschaften:**

- Mounting plate, triple, metal, for accommodating data equipment with installation opening: 18 x 22.8 mm e.g. Corning

Designation	PU	Order no.
Mounting plate data 3-f RJ45 18x22.8	1	<b>GTVDM063</b>



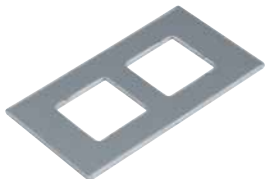
GTVDM072

**Mounting plate**

**Properties:**

- Metal mounting plate for data equipment with installation opening: 21.7 x 22.4 mm, e.g. Kerpen

Designation	PU	Order no.
Mounting plate data 2-f RJ45 21.7x22.4	1	<b>GTVDM072</b>



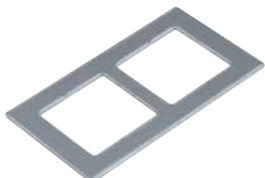
GTVDM082

**Mounting plate**

**Properties:**

- Metal mounting plate for data equipment with installation opening: 20.1 x 19.5 mm, e.g. AT&T

Designation	PU	Order no.
Mounting plate data 2-f RJ45 20.1x19.5	1	<b>GTVDM082</b>



GTVDM092

**Mounting plate**

**Properties:**

- Metal mounting plate for data equipment with installation opening: 25.2 x 25.2 mm, e.g. Panduit

Designation	PU	Order no.
Mounting plate data 2-f RJ45 25.2x25.2	1	<b>GTVDM092</b>



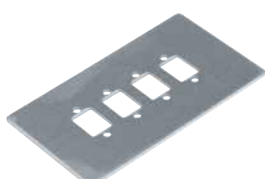
GTVDM202

**Mounting plate**

**Properties:**

- Metal mounting plate for ST-type fibre-optic equipment, installation opening 9.8 x 8 mm

Designation	PU	Order no.
Mounting plate data 2-f LWL 9.8x8	1	<b>GTVDM202</b>



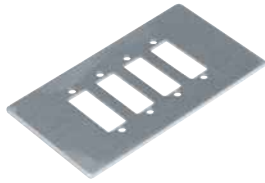
GTVDM214

**Mounting plate**

**Properties:**

- Metal mounting plate for SC-Simplex-type fibre-optic equipment, installation opening 9.7 x 13.3 mm

Designation	PU	Order no.
Mounting plate data 4-f LWL 9.7x13.3	1	<b>GTVDM214</b>



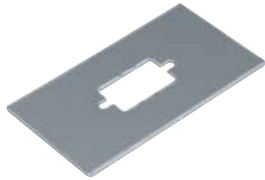
**Mounting plate**

**Properties:**

- Metal mounting plate for SC-Duplex-type fibre-optic equipment, installation opening 9.7 x 26 mm

GTVDM224

Designation	PU	Order no.
Mounting plate data 4-f LWL 9.7x26	1	<b>GTVDM224</b>



**Mounting plate**

**Properties:**

- Metal mounting plate for data equipment, audio or video equipment type D-Sub 9, installation opening 12.8 x 21 mm

GTVDM301

Designation	PU	Order no.
Mounting plate f. audio/video D-Sub9 12.8x21	1	<b>GTVDM301</b>



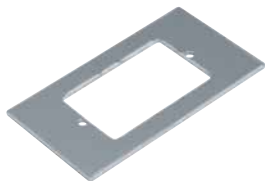
**Mounting plate**

**Properties:**

- Metal mounting plate for audio equipment type XLR, installation opening Ø 24 mm

GTVDM311

Designation	PU	Order no.
Mounting plate f. audio XLR diam. 24mm	1	<b>GTVDM311</b>



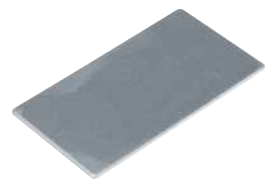
**Mounting plate**

**Properties:**

- Metal mounting plate for Kindermann multimedia connecting modules, installation opening 25 x 39 mm

GTVDM331

Designation	PU	Order no.
Mounting plate for multimedia 25x39mm	1	<b>GTVDM331</b>



**Mounting plate**

**Eigenschaften:**

- Mounting plate, metal, blank for covering unused bevelled ducts

GTVDM00B

Designation	PU	Order no.
Mounting plate blank for GTVD200/300	1	<b>GTVDM00B</b>

- For installation of CEE power sockets
- Minimum installation depth: 170 mm
- Fits the following CEE power sockets:

16 A:  
hager ECEE165  
ABL Sursum - F51S300  
Mennekes - TwinCONTACT 338

32 A:  
hager ECEE325  
ABL Sursum - F53S300

**Note**  
CEE power socket not included in supply



GBVC400

**CEE mounting panel GBVC400**

**Properties:**

- Mounting panel for stainless-steel cassette EKQ12, EKR12, service unit VQ12, VR12, VANR12 or VR10 (centre)
- Replaces device casing GTVR400, GBVR400 or GTVD300

Designation	PU	Order no.
Mount. panel CEE repl. f. GB/GTVR400/GTVD300	1	<b>GBVC400</b>



GBVC300

**CEE mounting panel GBVC300**

**Properties:**

- Mounting panel for stainless-steel cassette EKQ06, EKR06, service unit VQ06, VR06, VE09 or VR10 (left and right)
- Replaces device casing GTVR300, GBVR300 or GTVD200
- Suitable for connection of CEE angled plug

Designation	PU	Order no.
Mount. panel CEE repl. f. GB/GTVR300/GTVD200	1	<b>GBVC300</b>



ECEE165

**CEE power socket**

**Properties:**

- CEE power socket, straight
- Splash-water protection rating IP 44
- 5-pole 400 V 50/60 Hz
- ECEE16 - 16 A
- ECEE32 - 32 A

Designation	PU	Order no.
CEE power socket, straight, 16 A IP44	1	<b>ECEE165</b>
CEE power socket, straight, 32 A IP44	1	<b>ECEE325</b>

**Device carrier - installation devices**

Identifier	Accessories	Number of installed Accessories	Type	Type
GT = device carriers	Y  V = for service unit	Z  R400 = four Schuko power sockets Rastec 45 or three installation devices with support bracket  R300 = three Schuko power sockets Rastec 45 or two installation devices with support bracket  RT00 = partition wall		
	W  MB = Media cover for installation of support bracket devices	X  V = for service unit	Y  34 = for GTVR300 and GTVR400 30 = for GBV300 only 04 = for GBV400 only	Z  T1 = 1 x opening f. support bracket device T2 = 2 x opening f. support bracket device T3 = 3 x opening f. support bracket device

**Device casing - installation devices**

Identifier	Accessories	Number of installed Accessories	Type	Type
GB = device casings	Y  V = for service unit	Z  R400 = four Schuko power sockets or four installation devices Rastec 45 or three installation devices with support bracket  R300 = three Schuko power sockets or three installation devices Rastec 45 or two installation devices with support bracket  RT00 = partition wall		
	W  MB = Media cover for installation of Rastec 45 support bracket devices	X  V = for service unit	Y  34 = for GBVR300 and GBVR400	Z  R1 = 1 x Rastec 45 R2 = 2 x Rastec 45 R3 = 3 x Rastec 45
	Y  MB = Media cover for installation of support bracket devices	V = for service unit	Y  23 = for GBVR300 and GBVR400 03 = for GBVR400 only	Z  T1 = 1 x opening f. support bracket device T2 = 2 x opening f. support bracket device T3 = 3 x opening f. support bracket device

**Device carriers and installation devices - preassembled**

Identifier	Accessories	Number of sockets, pure white	Number of sockets, pure orange	Plug and socket manufacturers	Cable cross-section
GT  Device carrier	V  V = Service unit	W  4RW = four Schuko outlets pure white 2RW = two Schuko outlets pure white 0RW = no Schuko outlets pure white	X  4RO = four Schuko outlets pure orange 2RO = two Schuko outlets pure orange 0RO = no Schuko outlets pure orange	Y  WG = Wieland GST 18i/3 WA = Wago Winsta	Z  315 = 3 x 1,5 mm <sup>2</sup> 325 = 3 x 2,5 mm <sup>2</sup>

Device casings - installation devices - Schuko power sockets

Identifier	Type	Type Accessory/shielding	Orientation/degrees	Colour
E = Installation devices	W	X	Y	Z
	S = Schuko power socket	R1 = Rastec 45, single R2 = Rastec 45, double R3 = Rastec 45, triple	20 = 20 degrees 33 = 33 degrees	9010 = RAL 9010, pure white 2004 = RAL 2004, pure orange 3000 = RAL 3000, blazing red 6001 = RAL 6001, emerald green 6029 = RAL 6029, mint green
	D = Data module	S = shielded U = unshielded	RJ45 = RJ45	C6A = Cat.6A
	U = Surge protection	S315 = 3 connecting lines 1.5 mm <sup>2</sup> S615 = 6 connecting lines 1.5 mm <sup>2</sup>		
	MR01 = Blank plate for Rastec 45, single MR02 = Blank plate for Rastec 45, double			9010 = RAL 9010, pure white

Device casings installation devices - Device casings for data equipment

Identifier	Accessories	Type Accessories	Type	Number of openings
GT = device carriers	W	X	Y	Z
	V = for service unit	D = data equipment  DM = Data equipment mounting plate	200 = for installation of 2 mounting plates 300 = for installation of 3 mounting plates  00B = Blank RJ45 01 x 19.3 x 14.8 02 x 20.4 x 27.7 03 = 19.5/21.7 x 14.85 04 x 17.2 x 18.3 05 x 20.1 x 14.8 06 x 18 x 22.8 07 x 21.7 x 22.4 08 x 20.1 x 19.5 09 x 25.2 x 25.2 Optical fibres 20 x 9.8 x 8 21 x 9.7 x 13.3 22 x 9.7 x 26 Audio/video 30 = 12.8 x 21 - D-Sub 9 31 = diameter 24 - XLR 33 = 25 x 39 - Kindermann	1 = one opening 2 = two openings 3 = three openings 4 = four openings

Mounting panels and CEE power socket

Identifier	Type	Type Accessories	Type
GB = device casings	X	Y	Z
	V = for service unit	C = CEE mounting panel	300 = replaces GBVR300, GTVR300, GTVD200 400 = replaces GBVR400, GTVR400, GTVD300
E = Installation device	CEE = CEE	16 = 16 A 32 = 32 A	5 = 5-pole



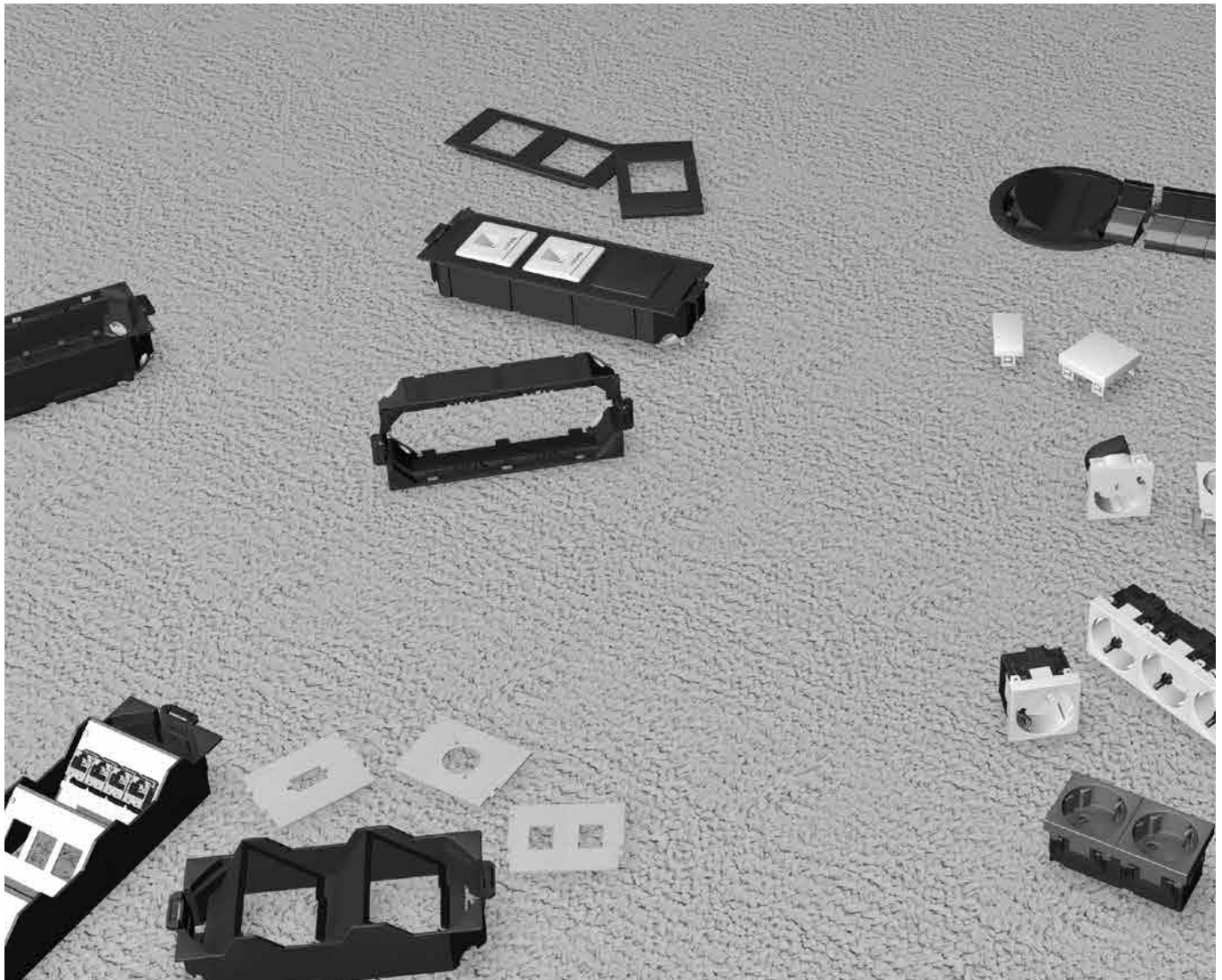
**Device casings - General description - Function and application**

**Snap-in connections**

Device casings, power sockets and other accessories are easily assembled thanks to their snap-in connections. Precisely fitting tabs eliminate the need to use screws.

**Compatibility**

All components are matched for optimal fit. Different solutions can be realised for almost any application.

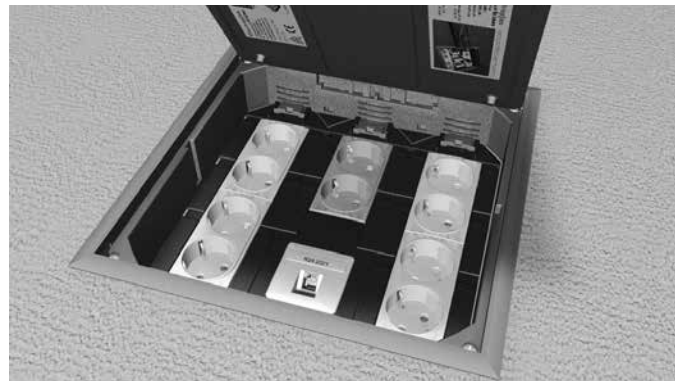


The new and innovative device carriers GTVR300 and GTVR400 are easy to install. Pinching cables or accidentally tearing cables from terminals is now a thing of the past. It is no longer necessary to thread cables and lines into the device carriers before installation. All installation steps are visible.

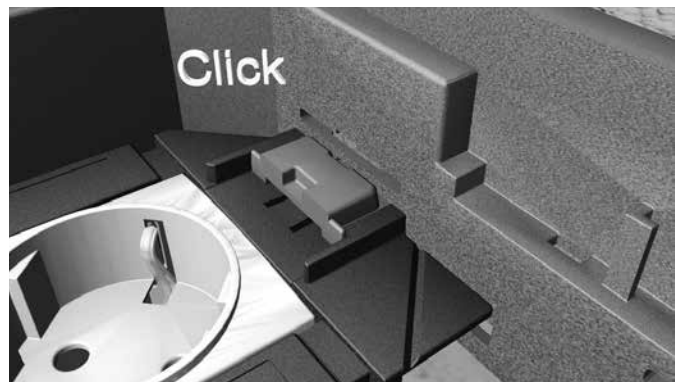
The installation device such as a power socket is snapped into the top part of the device carrier and connected. After arranging the individual strands, the bottom of the device casing is snapped in place.



Webs and design elements can be removed if required to permit the combined use of Rastec 45® sockets and supporting-web devices. Fitting the device carrier with a combination of Schuko power sockets in Rastec 45® format and supporting-web devices e.g. for network connections is not a problem.



Rastec 45® installation devices can be snapped in without any additional cover plates. The device carriers latch in the service units easily and reliably.



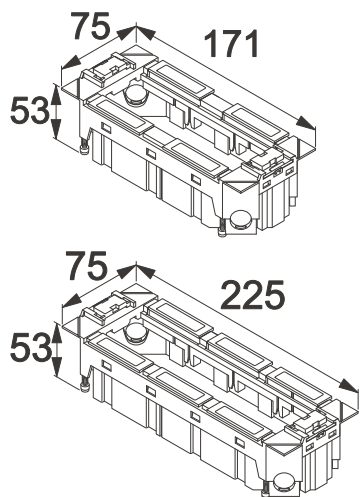
Devices casings for data and media equipment are characterised by sloped compartments that accept mounting plates of any type. Ideal for conference or multi-media rooms. Thanks to the modular design, systems can be arranged flexibly. For example, you can combine data equipment sockets with audio and video sockets in the same device casing.

Installation is easy. Mounting plates are pushed from above into brackets where they securely latch into place.

No matter which hole pattern you may need, almost anything is possible! All hole patterns for the following connections can be realised: data equipment, optical fibres, audio cinch, audio 3.5 mm stereo jack, audio XLR, 15-pin VGA or DVI-D digital, S-Video, BNC, USB, PS2 for keyboard and mouse, serial data transmission via 9-pin D-Sub.

Some mounting plates with the most commonly used hole patterns are shown on pages 5.8 to 5.11. Is your hole pattern missing? No problem, just get in touch with us.

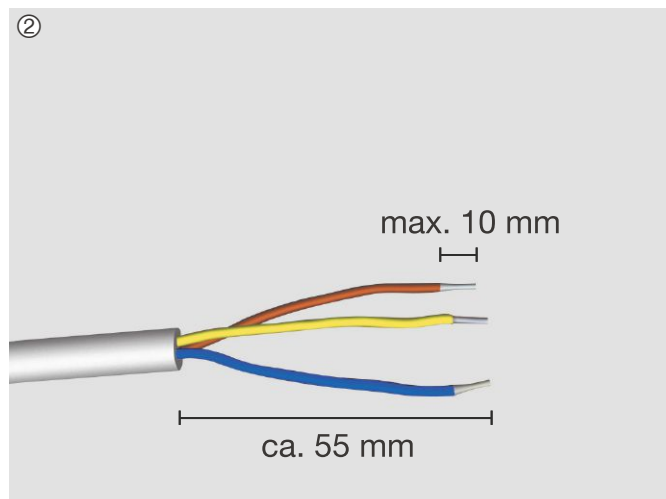
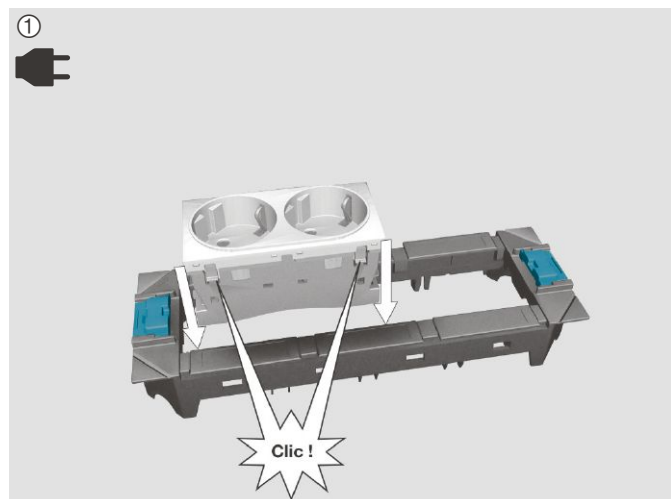
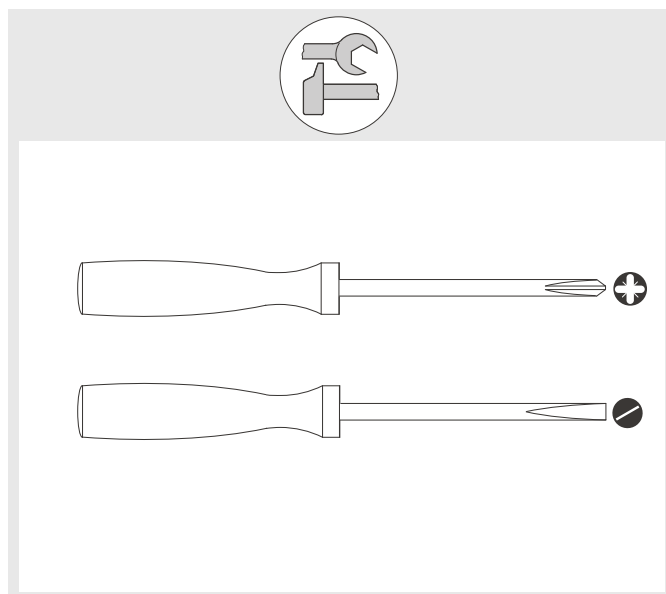
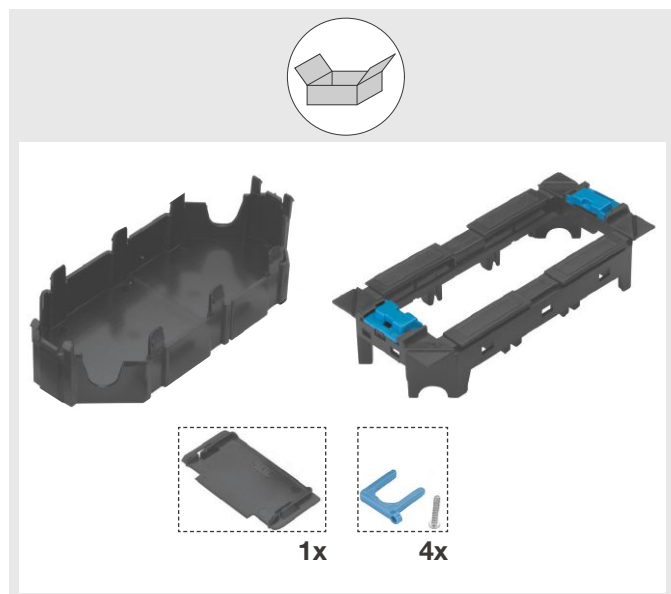
All mounting plates come at the same price! No matter which hole pattern you need or even if you require a customised hole pattern, the price of the mounting plate will always be the same.

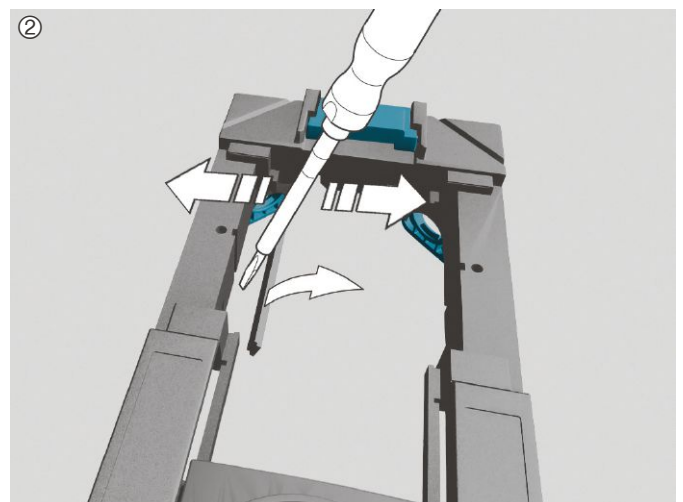
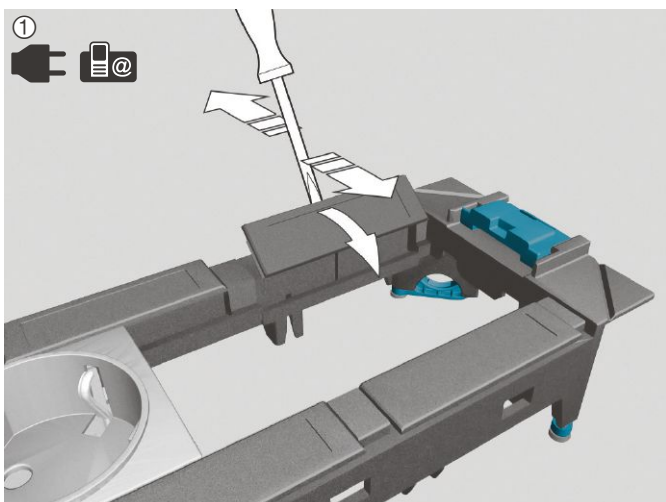
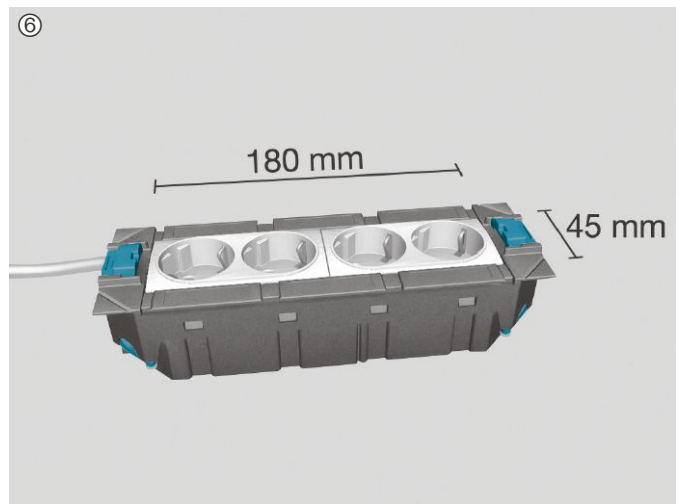
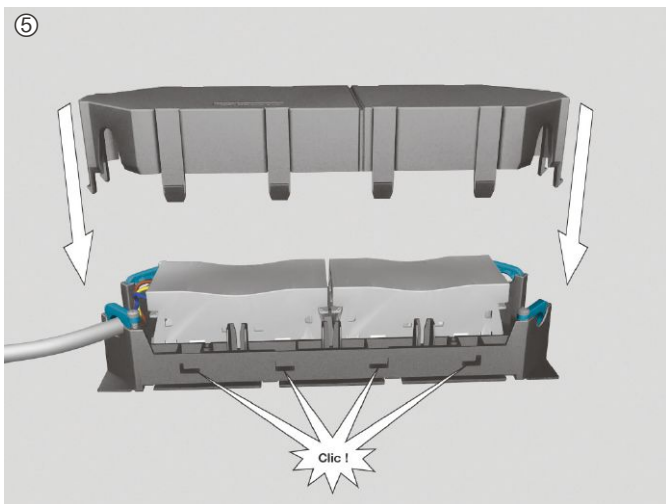
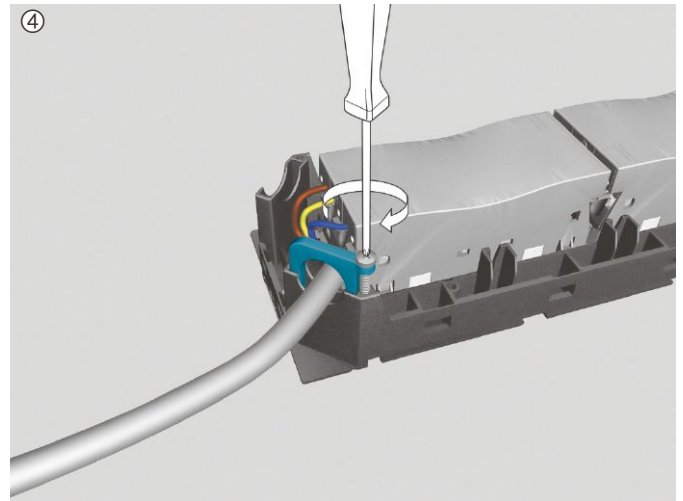
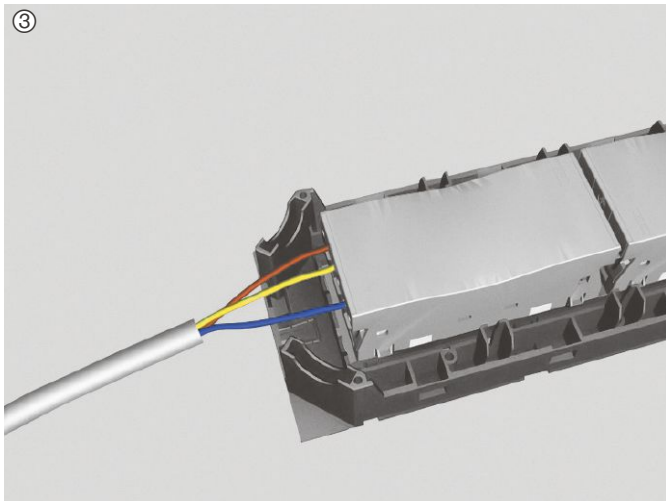


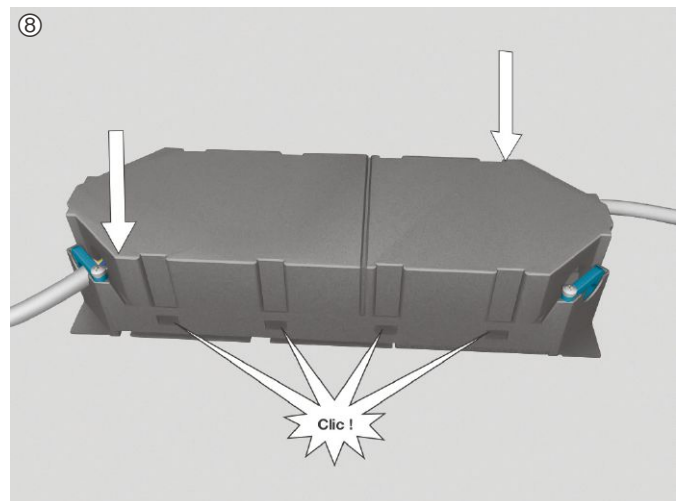
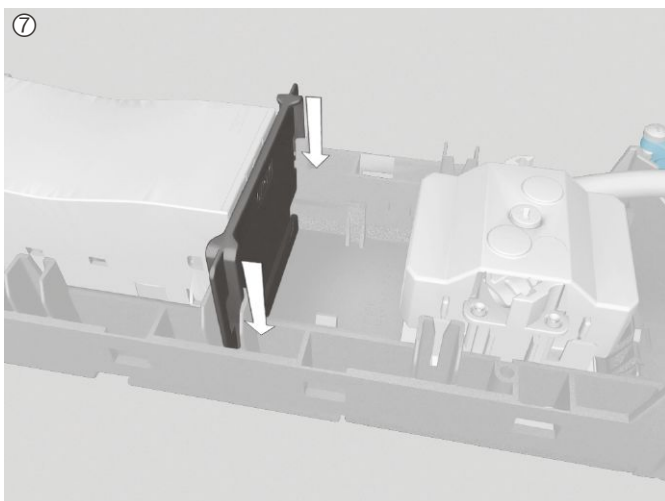
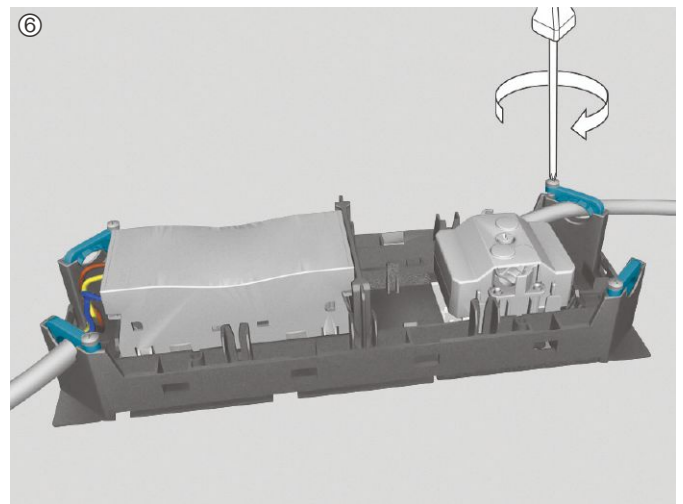
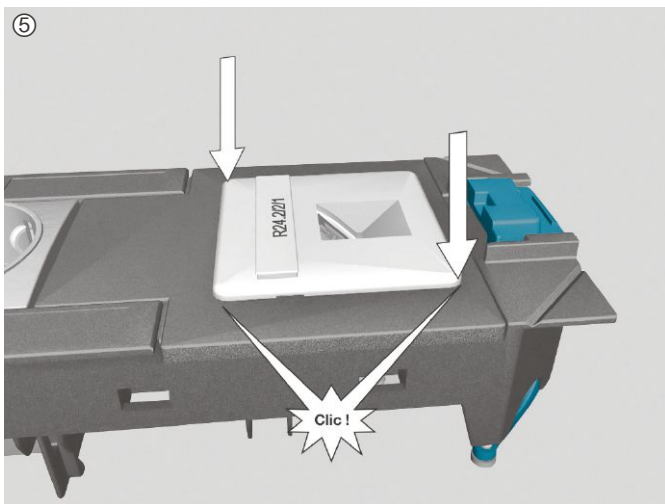
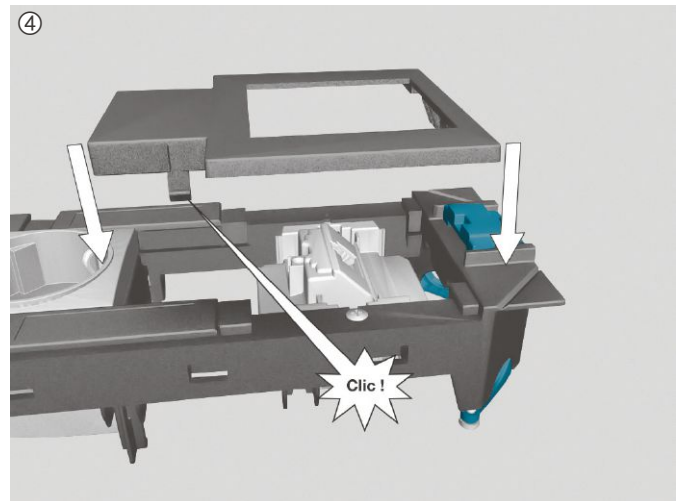
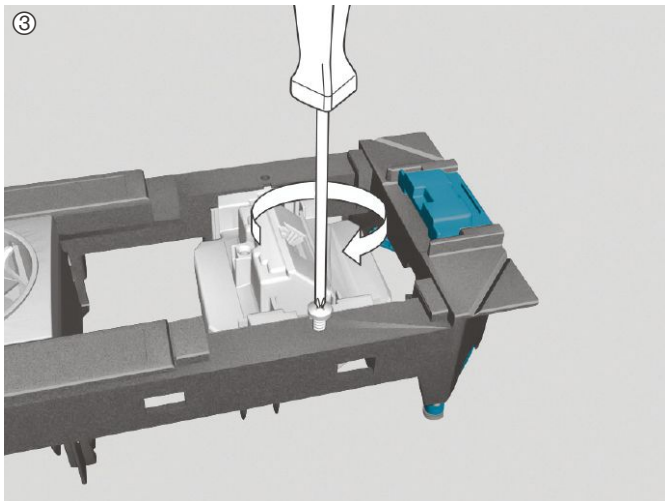
- |      |                          |      |                         |
|------|--------------------------|------|-------------------------|
| (DE) | Montageanleitung         | (HR) | Upute za montažu        |
| (FR) | Notice d'instructions    | (HU) | Szerelési útmutató      |
| (GB) | Mounting instructions    | (LT) | Montavimo instrukcija   |
| (NL) | Montage instructie       | (LV) | Montāžas instrukcija    |
| (DK) | Monteringsvejledning     | (PL) | Instrukcja montażowa    |
| (FI) | Asennusohje              | (RO) | Instrucțiuni de montare |
| (NO) | Montasjeanvisning        | (SK) | Návod na montáž         |
| (SE) | Monterings instruktioner | (RU) | Указания по установке   |
| (IT) | Istruzioni di montaggio  | (BG) | Инструкции за монтаж    |
| (ES) | Instrucciones de montaje | (GR) | Οδηγίες χώνευσης        |
| (PT) | Instruções de montagem   | (SI) | Navodilo za montažo     |
| (CZ) | Montážní návod           | (EE) | Paigaldusjuhised        |
| (BA) | Uputstvo za montažu      | (IS) | Leiðbeiningar           |
| (UK) | Інструкції з установки   | (AR) | دليل التركيب            |

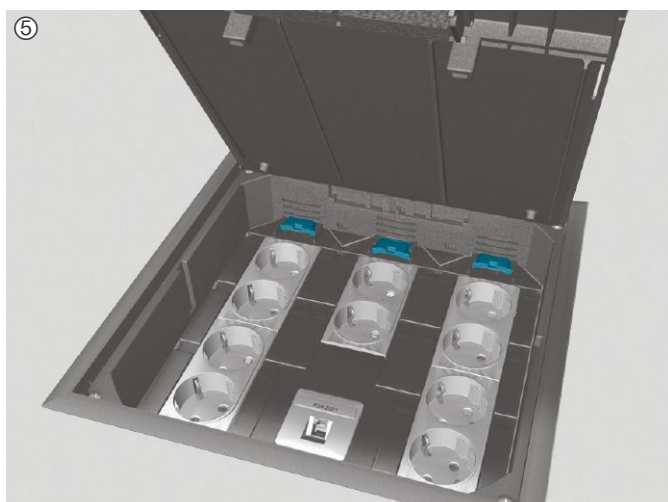
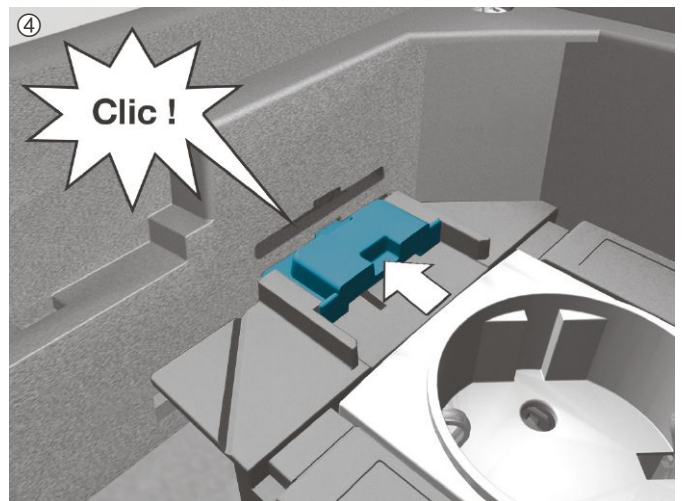
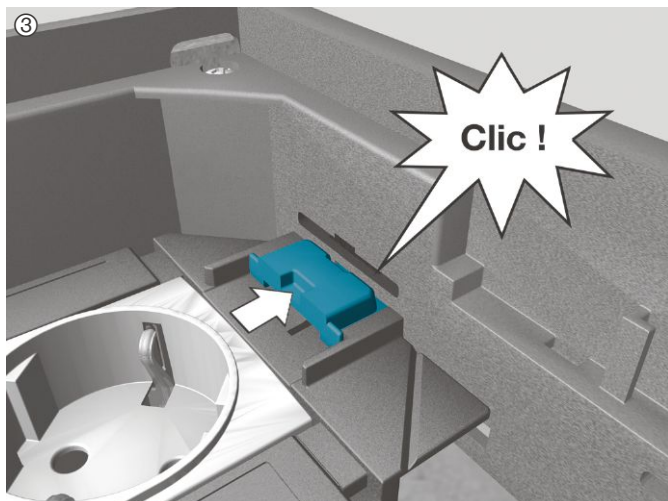
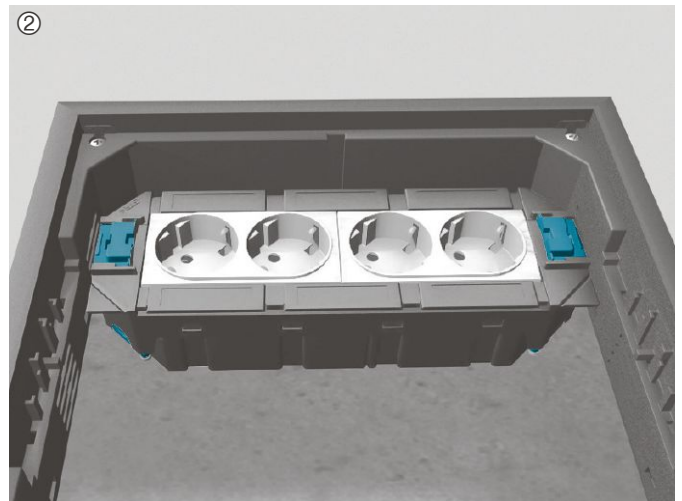
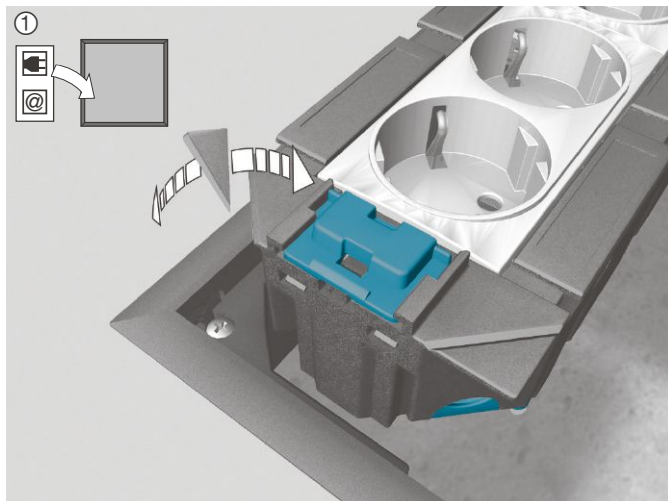


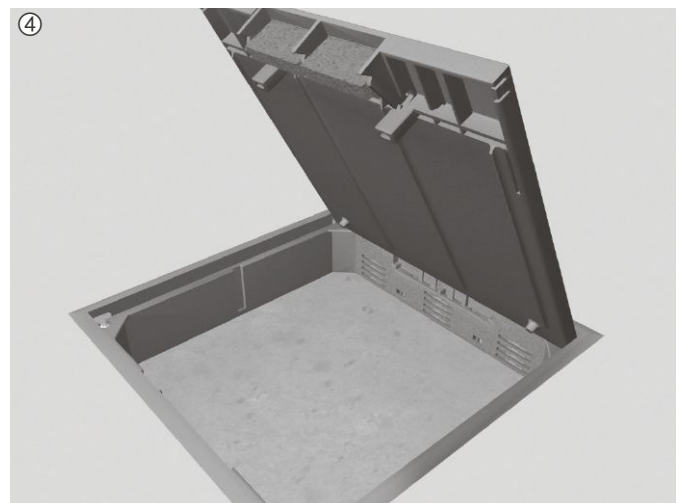
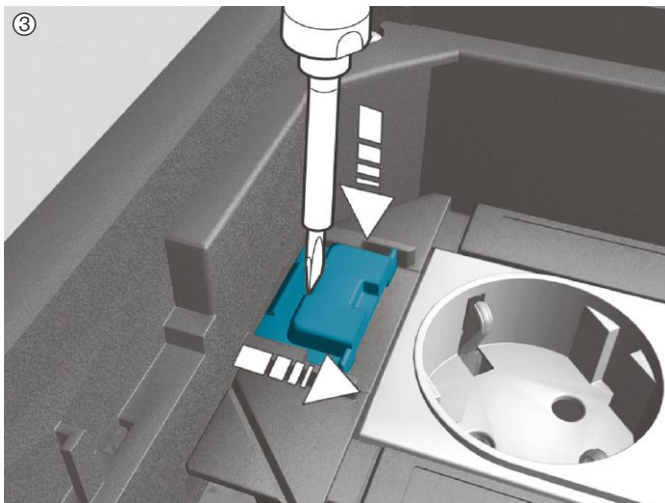
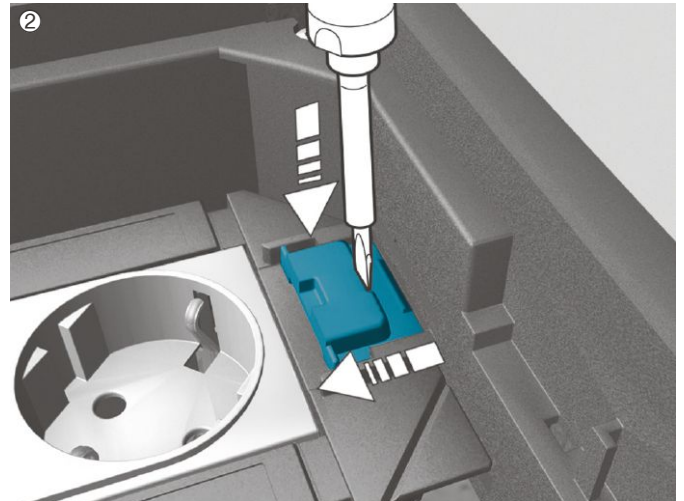
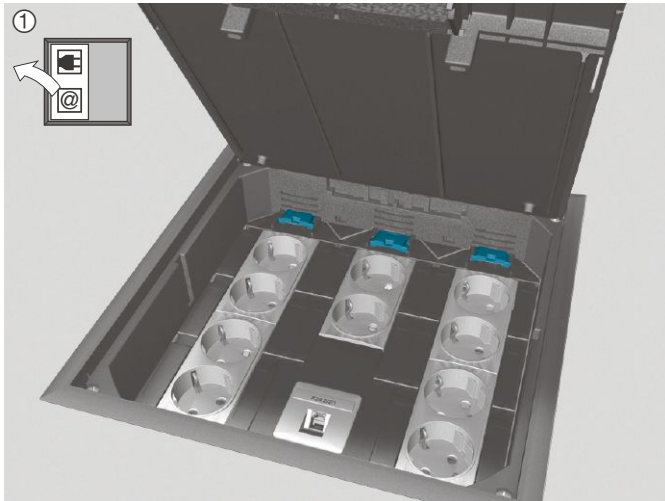
**GTVR4 / GTVR3**















**General instructions:****System-specific sockets**

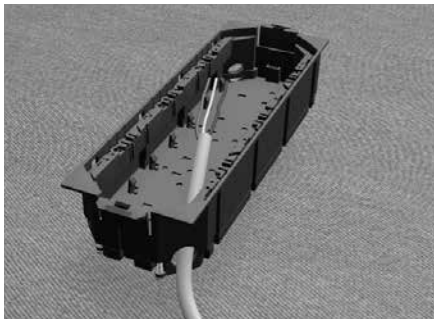
The device casings GBVR400 and GBVR300 fit system-specific Schuko sockets with protective earth contacts. Rastec 45® Schuko sockets with protective earth contacts can also be installed using mounting plates.

**Overvoltage**

Overvoltage protection modules can be installed as an option.

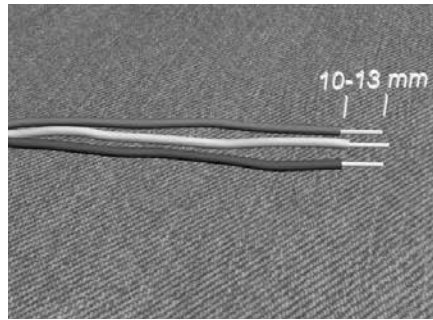


**Route the cable into the device casing**



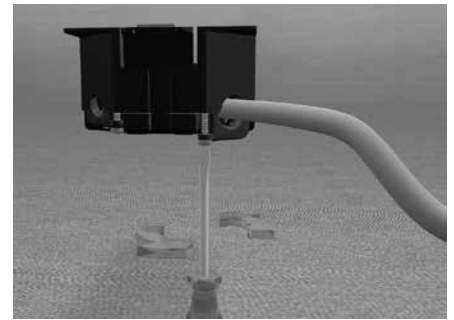
Route cable through side opening of device casing.

**Strip the cables**



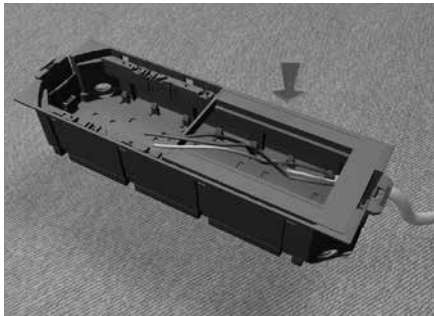
Strip insulation of the individual wires to a length of 10 to 13 mm.

**Pull off the strain relief**



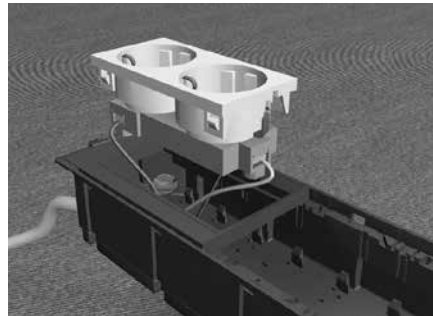
Pull back surplus cables and tighten screw of respective strain relief.

**Snap in the mounting plate for Rastec 45®**



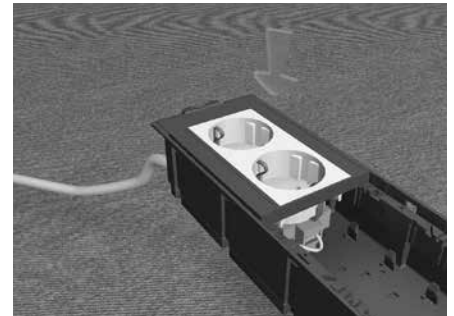
Rastec 45® sockets are installed into device casings using a mounting plate. Insert mounting plate from the top into guide of device casing until the tabs snap in.

**Connect socket Rastec 45®**



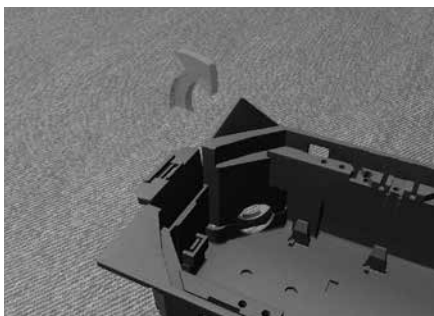
Connect socket Rastec 45®, routing the wires through the opening in the mounting plate.

**Snap in socket Rastec 45®**



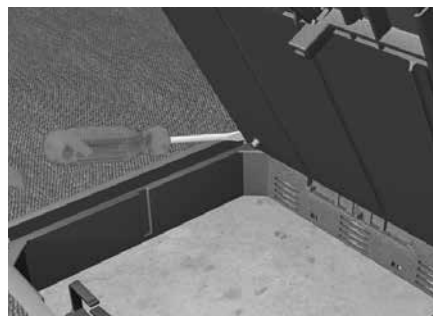
Socket for Rastec 45® is pushed into the mounting plate from above until it snaps in.

**Turn the corners upwards (optional)**



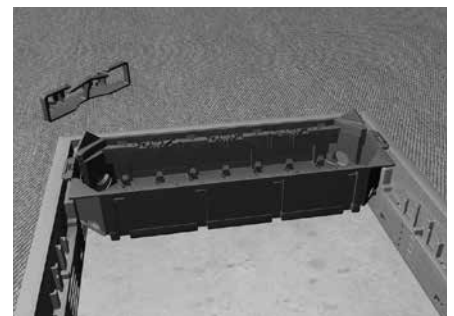
If the device casing is not installed in the middle of the service unit, the corners of the device casing are turned upwards or downwards. This avoids the cumbersome procedure of cutting off the corners.

**Remove the cover**



To simplify the installation procedure we recommend removing the cover prior to installation. Twist the screwdriver to loosen the tabs.

**Locate the device casing**



Position the device casing horizontally in the service unit. The corners of the device casing are turned upward or downward.

**Insert a screw driver**



Use the screwdriver to snap in the device casing lug at the required height. The tab must engage audibly.

**Bend the lug inward**



Bend the device casing lug inwards using a screwdriver.

**Locate the device casing**



Adjust the device casing to the required height using the screwdriver.

**Snap in the device casing**



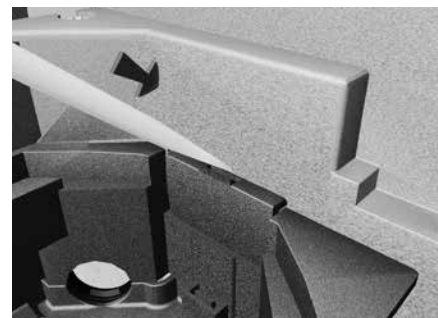
Snap in the device casing lug at the required height using a screwdriver. The tab must snap in audibly.

**Snap in the opposite side**



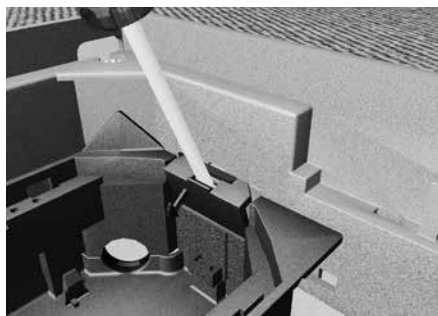
Following the principle of the preceding steps, snap the device casing into the service unit on the opposite side.

**Release the device casing**



Insert the screwdriver into the perforation at an angle and turn it upward to release the tab of the device casing from the service unit.

**Pull out the lug of the device casing**



Bend the lug of the device case inward using a screwdriver and pull it from the perforation of the service unit.

**Lower the device casing**



Adjust the device casing to the required height using the screwdriver.

**Snap in the device casing**



Snap in the device casing lug at the required height using a screwdriver. The tab must snap in audibly.



# Service posts

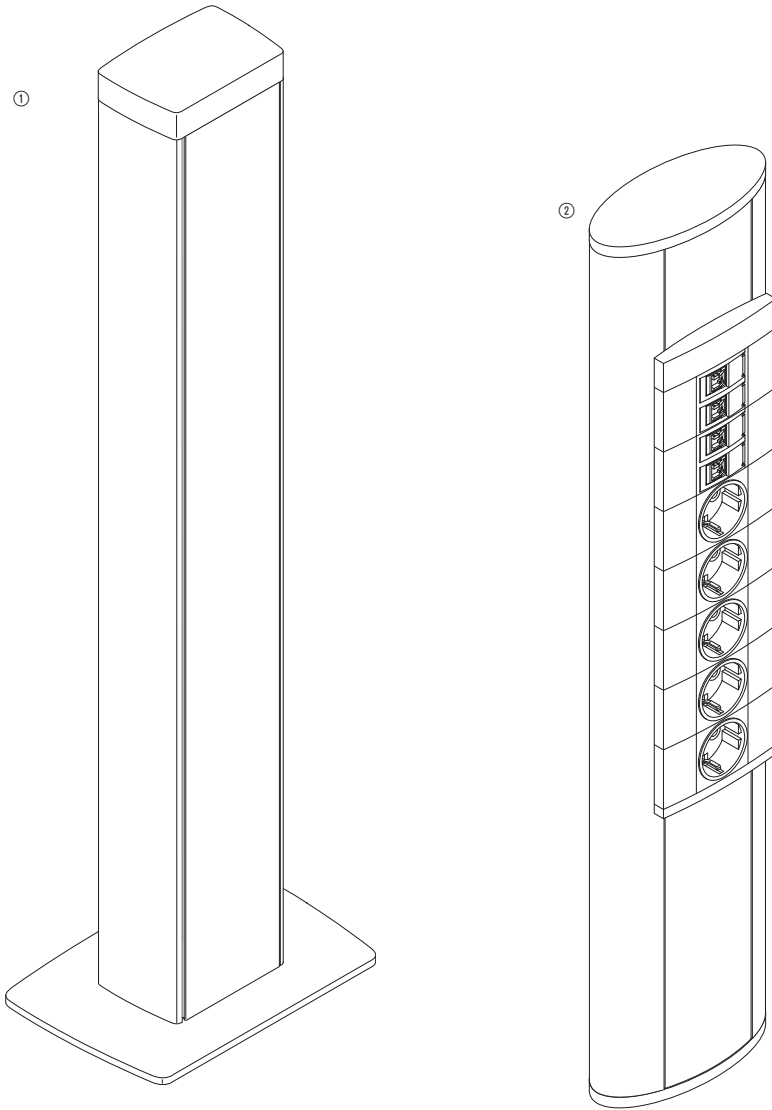
## tehalit.DAP | DEP | Room distributors

### Down to earth

There's most likely no solution that is more practical or more easy on the eye when it comes to freely distributing power outlets and data ports across the floor space: The tehalit.DA200 service posts are available with installation positions for front-latching installation devices on one or both sides or, as a particularly appealing solution, as the tehalit.DEP ,exklusiv'variant which comes prefitted with 5 SCHUKO® power sockets and four Cat.6 STP data ports. Room distributors provide even more connecting capacity. They can be fitted individually but are also available with preassembled connecting modules.



tehalit.DAP   DEP   Room distributors System overview	246
tehalit.DAP service posts for front-latching devices	247
tehalit.DEP 'exklusiv' service post	248
Connecting lines	249
Technical information	252



tehalit.DAP|DEP  
Room distributors

**tehalit.DAP | DEP | Room distributors**

- ① tehalit.DAP
- ② tehalit.DEP



- Service post made of DA 200 profile for the distribution of power and data across the entire floor space
- Solid mounting of floor plate to floor
- Underground line infeed
- Höhe 650 mm

**Device installation**

Installation of front-latching devices using the WA-GO-WINSTA plug-in system and modular bezel system, or industry-standard device installation, see catalogue 'Cable

management + Trunking system solutions 2012'.

**Scope of supply:**

- Top part and base
- Floor plate
- Cap
- Earthing kit

**Available colours**

ELN, aluminium, naturally anodised  
RAL 9010, pure white

- ELN variant with floor plate and cap in RAL 9011, graphite black
- RAL 9010 variant with floor plate and cap in RAL 9010, pure white

**Material**

- Body: aluminium
- Cap: polyamide
- Floor plate: sheet metal

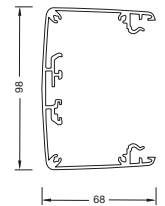
Custom solutions and lengths on request.



DAP806509010

**Service post, single-sided**

Aluminium installation post for front-latching installation devices with modular covers, slightly convex profile (68 x 98 mm), floor plate (168 x 138 mm)



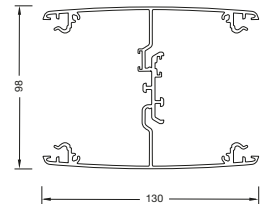
Designation	PU	Order no.
Service post, 650 mm, naturally anod.	1	<b>DAP80650ELN</b>
Service post, 650 mm, pure white	1	<b>DAP806509010</b>



DAP2806509010

**Service post, double-sided**

Aluminium installation post for front-latching installation devices with modular covers, slightly curved profile (130 x 98 mm), floor plate (168 x 200 mm)



Designation	PU	Order no.
Service post, 2-sided 650 mm, naturally anod.	1	<b>DAP280650ELN</b>
Service post, 2-sided 650 mm, pure white	1	<b>DAP2806509010</b>

- Attractively shaped, elliptic profile providing installation positions on both sides for preassembled device installation module<sup>s</sup> with 5 SCHUKO<sup>®</sup> power sockets and 4 Cat.6 STP data ports
- Height 650 mm
- Attachment: Service post base screws to raised floor or cavity floor
- 2 earthing kits L5805 and assembly kit (4 screws, 4 plugs) included in delivery package.

**Available colours**

- Core profile made of aluminium, black anodised
- Device installation module, RAL 9011, graphite black
- Design element of device installation module painted in titanium grey

**Material**

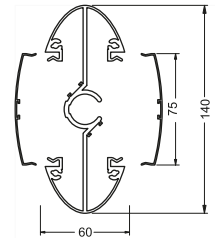
- Body: aluminium
- Device installation module made of plastic
- Service post cap and base made of steel



DEP650D

**Service post DEP 'exklusiv'**

- Elliptic profile
- Prefitted with pre-wired device installation module with 5 SCHUKO<sup>®</sup> power sockets and 4 Cat.6 STP data ports, line length from module 3.5 m
- Height 650 mm



Designation

Design service post, 0.65m, 4xCat.6, 5xSTD

PU

1

Order no.

**DEP650D**



DEPMD

**Device installation module for DEP design service post**

- For device installation on both sides of the design service post or as replacement
- Prefitted with 5 SCHUKO<sup>®</sup> power sockets and 4 Cat.6 STP data ports
- Prewired with 3.5 m line length
- Preassembled lines with WAGO-WINSTA and RJ45 connector technology

Designation

Preass. module f. DEP 4xCat.6, 5xSTD

PU

1

Order no.

**DEPMD**



G7150

### Connecting and extension kit

Comprising: 1 connecting line 5 m, with VDE angled plug,  
2 pass-through connecting lines with male connector and female  
connector (300 mm), 2-way distributor for parallel distribution

- 3 x 1.5 mm<sup>2</sup>

Designation	PU	Order no.
Connecting and extension kit f. room distr.	1	<b>G7150</b>



G4741

### Connecting lines

- Connecting line with VDE angled plug and male connector,  
3-pole  
- 3 x 1.5 mm<sup>2</sup>

Designation	PU	Order no.
WAGO conn.l.Schuko angled plug,1m	1	<b>G4721</b>
WAGO conn.l.Schuko angled plug,2m	20	<b>G4731</b>
WAGO conn.l.Schuko angled plug,3m	1	<b>G4741</b>
WAGO conn.l.Schuko angled plug,4m	1	<b>G4751</b>
WAGO conn.l.Schuko angled plug,5m	1	<b>G4761</b>



G4732

## Connecting lines

With male connector and female connector  
 - 3 x 1.5 mm<sup>2</sup>  
 - 3 x 2.5 mm<sup>2</sup>  
 - 3 x 2.5 mm<sup>2</sup> halogen-free (hfr)

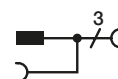
Designation	PU	Order no.
WAGO conn. line 3x1.5mm <sup>2</sup> , 300mm	10	<b>G4719</b>
WAGO conn. line 3x1.5mm <sup>2</sup> , 450mm	10	<b>G4730</b>
WAGO conn. line 3x1.5mm <sup>2</sup> , 750mm	10	<b>G4732</b>
WAGO conn. line 3x1.5mm <sup>2</sup> , 1500mm	20	<b>G4735</b>
WAGO conn. line 3x1.5mm <sup>2</sup> , 2500mm	10	<b>G4736</b>
WAGO conn. line 3x1.5mm <sup>2</sup> , 4500mm	10	<b>G4740</b>
WAGO conn. line 3x1.5mm <sup>2</sup> , 5000mm	10	<b>G4745</b>
WAGO conn. line 3x1.5mm <sup>2</sup> , 7500mm	5	<b>G4746</b>
WAGO conn. line 3x1.5mm <sup>2</sup> , 10000mm	5	<b>G4749</b>
WAGO conn. line 3x1.5mm <sup>2</sup> , 12500mm	10	<b>G4750</b>
WAGO conn. line 3x2.5mm <sup>2</sup> , 300mm	10	<b>G4733</b>
WAGO conn. line 3x2.5mm <sup>2</sup> , 450mm	10	<b>G4743</b>
WAGO conn. line 3x2.5mm <sup>2</sup> , 750mm	10	<b>G4753</b>
WAGO conn. line 3x2.5mm <sup>2</sup> , 1500mm	20	<b>G4796</b>
WAGO conn. line 3x2.5mm <sup>2</sup> , 2500mm	10	<b>G4797</b>
WAGO conn. line 3x2.5mm <sup>2</sup> , 4500mm	10	<b>G4798</b>
WAGO conn. line 3x2.5mm <sup>2</sup> , 5000mm	10	<b>G4762</b>
WAGO conn. line 3x2.5mm <sup>2</sup> , 7500mm	5	<b>G4764</b>
WAGO conn. line 3x2.5mm <sup>2</sup> , hfr, 300mm	10	<b>G4790</b>
WAGO conn. line 3x2.5mm <sup>2</sup> , hfr, 450mm	10	<b>G4791</b>
WAGO conn. line 3x2.5mm <sup>2</sup> , hfr, 750mm	5	<b>G4792</b>
WAGO conn. line 3x2.5mm <sup>2</sup> , hfr, 1500mm	20	<b>G4793</b>
WAGO conn. line 3x2.5mm <sup>2</sup> , hfr, 2500mm	10	<b>G4794</b>
WAGO conn. line 3x2.5mm <sup>2</sup> , hfr, 4500mm	10	<b>G4795</b>



G4773

## Distributor, 2-way

For parallel-switching of multiple power sockets



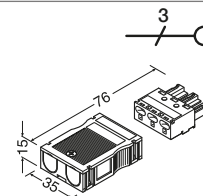
Designation	PU	Order no.
H-distributor 3 p.	10	<b>G4773</b>



G4703

## Male connector

The male connector is required to connect the power socket



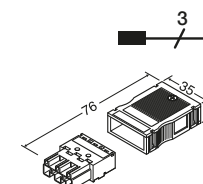
Designation	PU	Order no.
Male connector 3 p.	25	<b>G4703</b>



G4713

## Output connector

For the connection to further power sockets



Designation	PU	Order no.
Output connector 3 p.	25	<b>G4713</b>



G7075SCHW

**Installation connecting unit**

Ready for installation with 4 SCHUKO® power sockets,  
2 RJ45, 2-f, Cat.6 (Patch/Patch)

Designation	PU	Order no.
Installation connecting unit,RV-M,4Schuko, sch	1	<b>G7075SCHW</b>



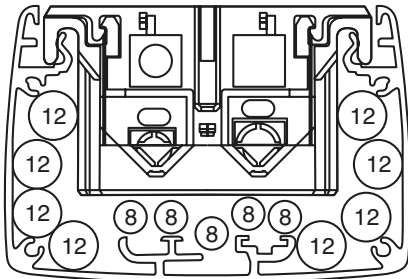
G7170

**Hook-and-loop cable wrap**

5 m roll,  
15 mm wide

Designation	PU	Order no.
Hook-and-loop cable wrap	5	<b>G7170</b>

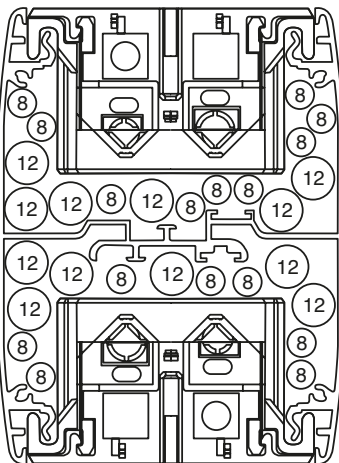
Example shows device installation box G2850 for the installation of commercially available flush-mounted components from various manufacturers.



**Profile, single-sided variant:**

Min. 6 x Ø 12 mm  
Min. 4 x Ø 8 mm

NYM-J5 x 2.5 mm<sup>2</sup> - Ø 12.2 mm - power line  
PIMF-100 Ω - Ø 8.2 mm - data line



**Profile, double-sided variant:**

Min. 12 x Ø 12 mm  
Min. 8 x Ø 8 mm

## Bending radii

### Lines

According to VDE 0298 part 3 (1983) the following bending radii must be observed for plastic lines:

Power type	$U_0 \leq 0.6/1 \text{ kV}$				$U_0 \geq 0.6/1 \text{ kV}$
<b>Power ratings for fixed</b>	Outer line diameter in mm				
<b>Routing</b>	$d \leq 10$	$10 < d \leq 25$	$25 < d$		
<b>Fixed routing</b>	4d	4d	4d		6d
<b>Flexible lines</b>	Outer diameter of line in mm				
	$d \leq 8$	$8 < d \leq 25$	$12 < d < 20$	$20 < d$	6d
<b>Fixed routing</b>	3d	3d	4d	4d	10d
<b>Infeed</b>	3d	4d	5d	5d	

### Optical fibre

Manufacturer	Outer diameter of line in mm	Minimum bending radii in mm
Alcatel/Kabelmetal	3.5 - 12	20 - 95
ANT	3.5 - 12	150
Dätwyler	3.0 - 7.9	30 - 120
Kabelreydt	3.4 - 11.6	20 - 175
Belden	2.9 - 13	75 - 130

Standard EN 187101 recommends the following:

$$R_{\text{radius}} = 10 \times d_{\text{cable}}$$

with  $R_{\text{bend}}$  = bending radius of cable,  
 $d_{\text{cable}}$  = cable diameter

Cable manufacturers may specify deviating bending radii. Please observe the technical data sheets provided with the respective products.

Information is subject to change

# Workplace connection system

Simple, practical & flexible: the workplace connection systems for every desk. When it comes to providing workplaces with power and data equipment connections, there is almost no alternative to the solutions from Hager. The choice includes connecting modules for mounting on or under the desk and for installation in room distributors.

In addition, there are universal connection blocks for placing, screwing, gluing or fastening with cable ties, as well as on-desk, mounted and installed connection units - and all with the best designs: With your components in their aluminium housings, Hager solutions look good on every desk.





Universal connection blocks	256
<hr/>	
Connection accessories	257
<hr/>	
Mounted connection units	259
<hr/>	
Installed connection units	260
<hr/>	

- 5 variants for practical and flexible connection of a workplace to power and data supplies
- Sockets SCHUKO® 16 A / 230 V
- Switch 16 (8) A
- Data connections Cat.6 (to 250 MHz) STP Class E Link Performance as per ISO / IEC 11801 and EN50173 dust protection flap integrated in module
- Flexible installation options - placing, screwing, glueing or using cable ties
- Mounting frames rotatable in 90° steps up to 360°

**Connections**

- Power: Triple socket block – clamp technology all other variants - WAGO-WINSTA plug-in technology
- 5-fold socket block - both variants available
- Data: RJ45 sockets

**Material**

- Main body aluminium
- Power and data connections, end caps and mounting frame from plastic

**Delivery colours**

- Main body, aluminium, anodised
- Sockets and data connections, black
- End caps and mounting frames RAL 9011, graphite black



NRS0003B00

**Universal connection block with 3 sockets SCHUKO®, clamp technology**

- 3 sockets SCHUKO®
- Connection via clamp technology
- Dimensions: 217.5 x 54 x 54 mm, with mounting frames 237.5 mm

Designation	UP	Order no.
Connection block 3 sockets terminals aluminium	1	<b>NRS0003B00</b>



NRS0005B00

**Universal connection block with 5 sockets SCHUKO®, clamp technology**

- 5 sockets SCHUKO®
- Connection via clamp technology
- Dimensions: 307 x 54 x 54 mm, with mounting frames 327 mm

Designation	UP	Order no.
Connection block 5 sockets terminals aluminium	1	<b>NRS0005B00</b>



NRS0005D00

**Universal connection block with 5 sockets SCHUKO®, WAGO-WINSTA**

- 5 sockets SCHUKO®
- Connection via WAGO-WINSTA plug-in technology
- Dimensions: 307 x 54 x 54 mm, with mounting frames 327 mm

Designation	UP	Order no.
Connection block 5 sockets Wago aluminium	1	<b>NRS0005D00</b>



NRS0004D20

**Universal connection block with switch and 4 sockets SCHUKO®, WAGO-WINSTA**

- Switch plus 4 sockets SCHUKO®
- Connection via WAGO-WINSTA plug-in technology
- Dimensions: 307 x 54 x 54 mm, with mounting frames 327 mm

Designation	UP	Order no.
Connection block 4 sockets switched Wago aluminium	1	<b>NRS0004D20</b>



NRS6204D20

**Universal connection block with switch and 4 sockets SCHUKO® and 2 data connections**

- Switch plus 4 sockets SCHUKO®
- 2 data connections Cat.6
- Power connection via WAGO-WINSTA plug-in technology
- Data connection via RJ45 sockets
- Dimensions: 351.5 x 54 x 54 mm, with mounting frames 371.5 mm

Designation	UP	Order no.
Connection block 4 sockets cat.6 Wago aluminium	1	<b>NRS6204D20</b>

- Connecting lines with angled plug and WAGO male connector
- Lines with preassembled plugs for connection of the socket modules



G4741

**Connecting lines**

Connecting line with VDE angled plug and male connector  
3-pole  
- 3 x 1.5 mm<sup>2</sup>

Designation	UP	Order no.
Connecting line Wago 3x1,5mm <sup>2</sup> length 1m	1	<b>G4721</b>
Connecting line Wago 3x1,5mm <sup>2</sup> length 2m	20	<b>G4731</b>
Connecting line Wago 3x1,5mm <sup>2</sup> length 3m	1	<b>G4741</b>
Connecting line Wago 3x1,5mm <sup>2</sup> length 4m	1	<b>G4751</b>
Connecting line Wago 3x1,5mm <sup>2</sup> length 5m	1	<b>G4761</b>



G4732

**Connecting lines**

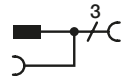
With male connector and female connector  
- 3 x 1.5 mm<sup>2</sup>  
- 3 x 2.5 mm<sup>2</sup>  
- 3 x 2.5 mm<sup>2</sup> halogen-free (hfr)

Designation	UP	Order no.
Wago connecting line 3x1.5 <sup>2</sup> L=0.3m	10	<b>G4719</b>
Wago connecting line 3x1.5 <sup>2</sup> L=0.45m	10	<b>G4730</b>
Wago connecting line 3x1.5 <sup>2</sup> L=0.75m	10	<b>G4732</b>
Wago connecting line 3x1.5 <sup>2</sup> L=1.5m	20	<b>G4735</b>
Wago connecting line 3x1.5 <sup>2</sup> L=2.5m	10	<b>G4736</b>
Wago connecting line 3x1.5 <sup>2</sup> L=4.5m	10	<b>G4740</b>
Wago connecting line 3x1.5 <sup>2</sup> L=5m	10	<b>G4745</b>
Wago connecting line 3x1.5 <sup>2</sup> L=7.5m	5	<b>G4746</b>
Wago connecting line 3x1.5 <sup>2</sup> L=10m	5	<b>G4749</b>
Wago connecting line 3x1.5 <sup>2</sup> L=12.5m	10	<b>G4750</b>
Wago connecting line 3x2.5 <sup>2</sup> L=0.3m	10	<b>G4733</b>
Wago connecting line 3x2.5 <sup>2</sup> L=0.45m	10	<b>G4743</b>
Wago connecting line 3x2.5 <sup>2</sup> L=0.75m	10	<b>G4753</b>
Wago connecting line 3x2.5 <sup>2</sup> L=1.5m	20	<b>G4796</b>
Wago connecting line 3x2.5 <sup>2</sup> L=2.5m	10	<b>G4797</b>
Wago connecting line 3x2.5 <sup>2</sup> L=4.5m	10	<b>G4798</b>
Wago connecting line 3x2.5 <sup>2</sup> L=5m	10	<b>G4762</b>
Wago connecting line 3x2.5 <sup>2</sup> L=7.5m	5	<b>G4764</b>
Wago connecting line 3x2.5 <sup>2</sup> hfr 0.3m	10	<b>G4790</b>
Wago connecting line 3x2.5 <sup>2</sup> hfr 0.45m	10	<b>G4791</b>
Wago connecting line 3x2.5 <sup>2</sup> hfr 0.75m	5	<b>G4792</b>
Wago connecting line 3x2.5 <sup>2</sup> hfr 1.5m	20	<b>G4793</b>
Wago connecting line 3x2.5 <sup>2</sup> hfr 2.5m	10	<b>G4794</b>
Wago connecting line 3x2.5 <sup>2</sup> hfr 4.5m	10	<b>G4795</b>



**Distributor, 2-way**

For parallel-switching of multiple power sockets



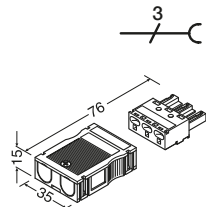
Designation	UP	Order no.
H-distributor 1xplug 2xsockets 3-pole Wago	10	<b>G4773</b>

G4773



**Male connector**

The male connector is required to connect the power socket



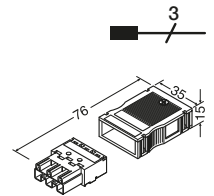
Designation	UP	Order no.
Male connector Wago 3-pole 1.5--2.5 mm <sup>2</sup>	25	<b>G4703</b>

G4703



**Output connector**

For connection to further power sockets



Designation	UP	Order no.
Output connector Wago 3-pole 1.5-2.5 mm <sup>2</sup>	25	<b>G4713</b>

G4713

- Connection units for power and data connection
- Patch cable with excellent transfer properties, with injected RJ45 plug according to IEC/ISO 60603-7 Specification according to ISO/IEC 11801
- Pin allocation 1:1

**Delivery colours**  
Housing profile, aluminium anodised, sockets anthracite

**Material**  
Plastic, aluminium



G7067ELN

**Connection unit**

- 3 sockets SCHUKO®
- 1 attachment clamp,
- 3 m rigidly mounted connecting line

Designation	UP	Order no.
Connection unit 3 sockets aluminium	1	<b>G7067ELN</b>



G7068ELN

**Connection unit**

- 1 socket SCHUKO®, continuous current
- 1 switch,
- 4 sockets SCHUKO® switched,
- 2 attachment clamps,
- 3 m rigidly mounted connecting line

Designation	UP	Order no.
Connection unit 5 sockets aluminium	1	<b>G7068ELN</b>



G7069ELN

**Connection unit**

- 1 socket SCHUKO®, continuous current
- 1 switch,
- 4 sockets SCHUKO® switched,
- 1 RJ45 2-f, Cat.6 (Patch/Patch)
- 2 attachment clamps,
- 3 m rigidly mounted connecting line

Designation	UP	Order no.
Connection unit 5 sockets 2 cat.6 aluminium	1	<b>G7069ELN</b>



G7043LAN

**Installed connection unit for desk installation**

3 sockets SCHUKO®  
3 m rigidly mounted connection units

Designation	UP	Order no.
Desk installation module 3 sockets anthracite	1	<b>G7043LAN</b>



G7044LAN

**Installed connection unit for desk installation**

2 sockets SCHUKO®  
1 RJ45 2-f, Cat.6 (Patch/Patch)  
3 m rigidly mounted connecting line

Designation	UP	Order no.
Desk installation module 2 sockets 2xcat. 5	1	<b>G7044LAN</b>



G7045LAN

**Installed connection unit for desk installation**

3 sockets SCHUKO®  
1 RJ45 2-f, Cat.6 (Patch/Patch)  
3 m rigidly mounted connecting line

Designation	UP	Order no.
Desk installation module 3 sockets 2xcat. 5	1	<b>G7045LAN</b>



G7059

**Hole saw**

ø 102 mm, for installed connection unit

Designation	UP	Order no.
Hole saw d=102 mm for desk insertion module	1	<b>G7059</b>



G8316

**Patch cable RJ45, S/FTP Cat.7 (600 MHz)**

Design: Li-2Y(ST)Y resp. LSZH 4 x 2 x AWG 26/7  
Total shielding: Al-foil internal conducting

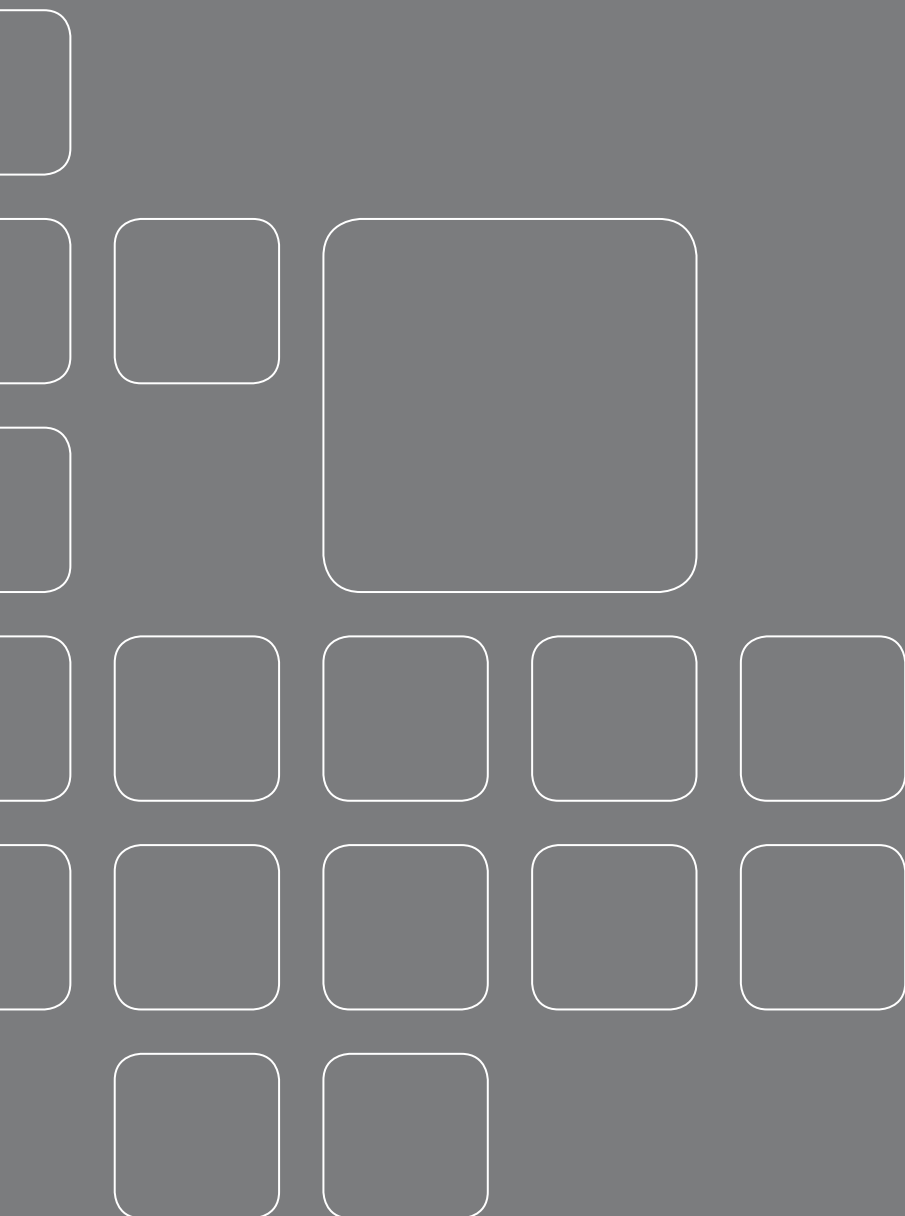
Designation	UP	Order no.
Patch cord Cat.7 RJ45 hfr L=0.35 m	1	<b>G8317</b>
Patch cord Cat.7 RJ45 hfr L=1.5 m	1	<b>G8310</b>
Patch cord Cat.7 RJ45 hfr L=2.5 m	1	<b>G8311</b>
Patch cord Cat.7 RJ45 hfr L=5 m	1	<b>G8312</b>

# Technical information

## FAQ

You should consider 7 important questions during the planning phase in order to take into account all requirements. This will ensure that you find the right solutions for your specific construction project.

The answers to the questions will provide the basis for your decisions. These range from the various floor coverings to the screed height and the correct assembly of the installation units.

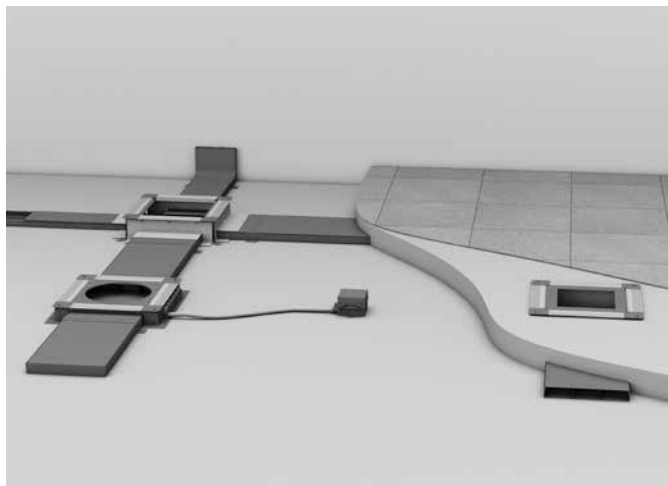




Question 1	
Which type of floor construction is planned?	264
<hr/>	
Question 2	
What about the cable capacity?	266
<hr/>	
Question 3	
According the floor construction, what height is required?	267
<hr/>	
Question 4	
What kind of flooring material is chosen?	268
<hr/>	
Question 5	
What about cleaning requirements?	269
<hr/>	
Question 6	
What about resistance against mechanical stress?	270
<hr/>	
Question 7	
What kind of service unit is defined?	271
<hr/>	

Five different types of floor systems are commonly used. Right from the start, the floor system defines the layout and the components to be used. Depending on the system, only certain products can be used. The general concept of the system is fundamentally different depending on whether it is a screed-embedded trunking system as is commonly used in new buildings or a floor-mounted trunking system as is often used in refurbishing projects. Individual solutions and combination options are available for each specific system.

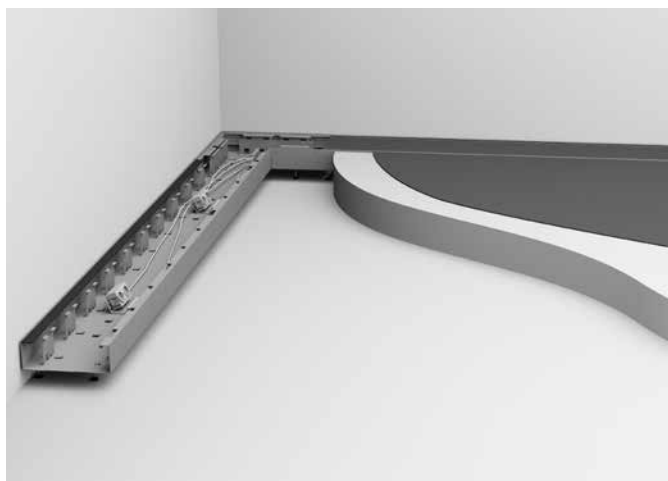
### Underfloor trunking system



#### electraplan.UK

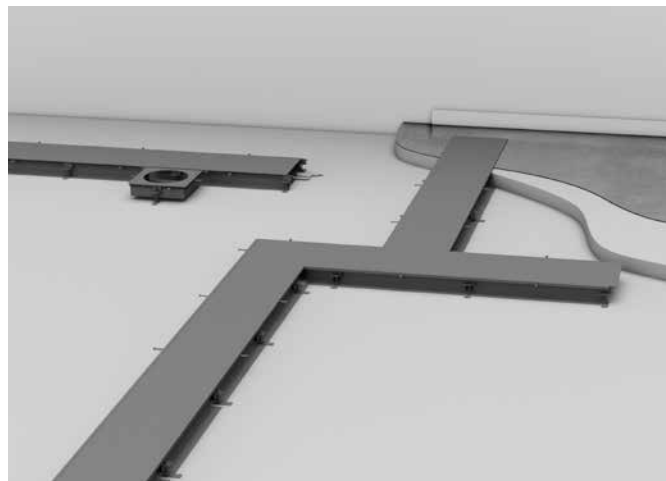
The screed-embedded underfloor trunking system can be used with any kind of screed such as cement screed, floating screed, flowing screed, or, if special provisions are made, hot screed/mastic asphalt. Screed-embedded trunking can be used in residential and in commercial buildings.

### Flush-floor trunking system



#### tehalit.BKB

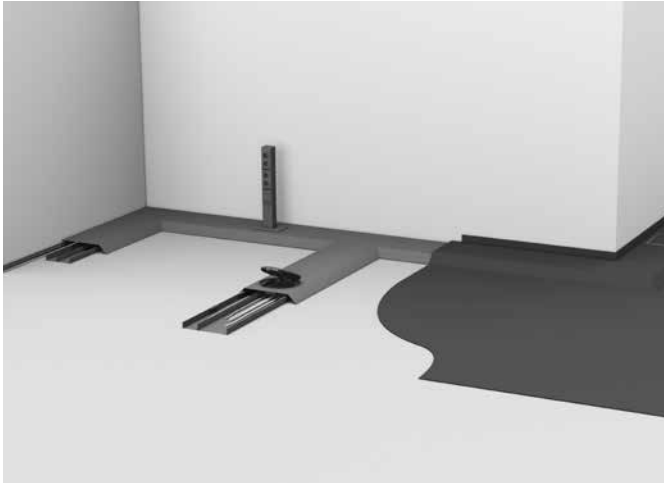
The screed-flush tehalit.BKB system provides power, data and communication connections all around the room. In addition to its suitability for state-of-the-art technical information, it is also suitable for all interior designs: It can be used with all types of dry-cleaned floors. The trunking provides millimetre-precise height adjustment for a "smooth" finish - while the extensive range of moulded parts are just accurately to every angle.



#### electraplan.BK

This system is variable in height and is used wherever the final height of screed and flooring is not yet certain or in cases where a maximum of flexibility is to be retained. Thanks to their width of up to 600 mm, these trunkings are used where a high number of lines is required. This variant, which achieves a flush finish with the screed surface, is used in bare production hall designs, but also in office and administration buildings where the cover of the trunking system is covered with bonded flooring. Due to its low height, the trunking system can be installed in screeds with very low profiles starting from 30 mm.

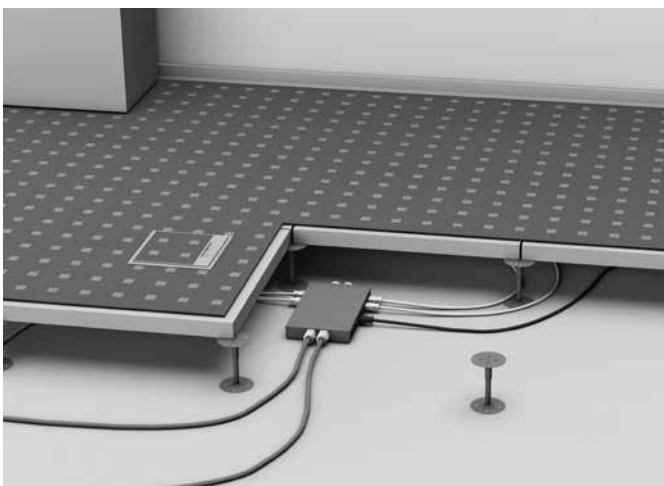
### Floor-mounted trunking system



#### electraplan.AK

This trunking system is particularly well suited to building refurbishing projects or to building installation upgrades and expansions. The system is mainly used when modernising office and administration buildings or for construction projects where the electrical systems need to be installed quickly on the already finished floor. If the building structure does not permit the installation of underfloor trunking due to structural reasons or if the building is listed and subject to a preservation order, floor-mounted trunking can be installed on top of the finished floor. Thanks to its robustness, floor-mounted trunking can also be used in assembly shops, laboratories or industrial buildings.

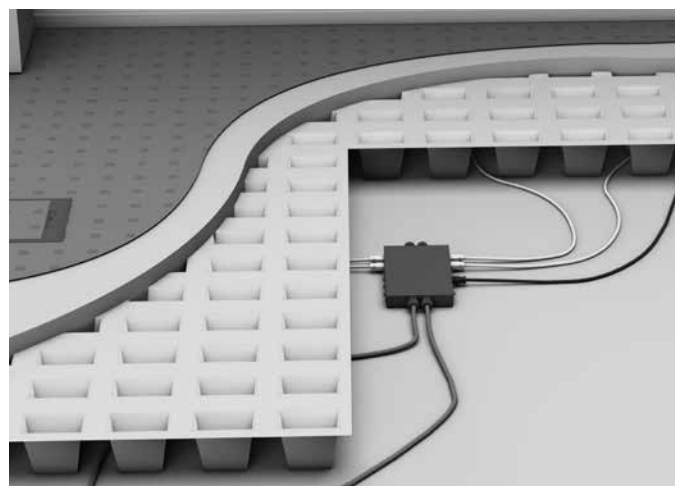
### Double floor / Cavity floor



#### electraplan.DB

This flexible solution is indispensable for all open-plan offices or call centres with large floor spaces that are subdivided with partition walls into a large number of smaller computer workplaces but which need to retain the option of restructuring the floor plan. The same applies to computer server rooms fitted with double floors which offer maximum flexibility thanks to their design. In showrooms or exhibition stands that are regularly redesigned to specific requirements, fully-networked power and data networks can be integrated in this way.

### Cavity floor



#### electraplan.HB

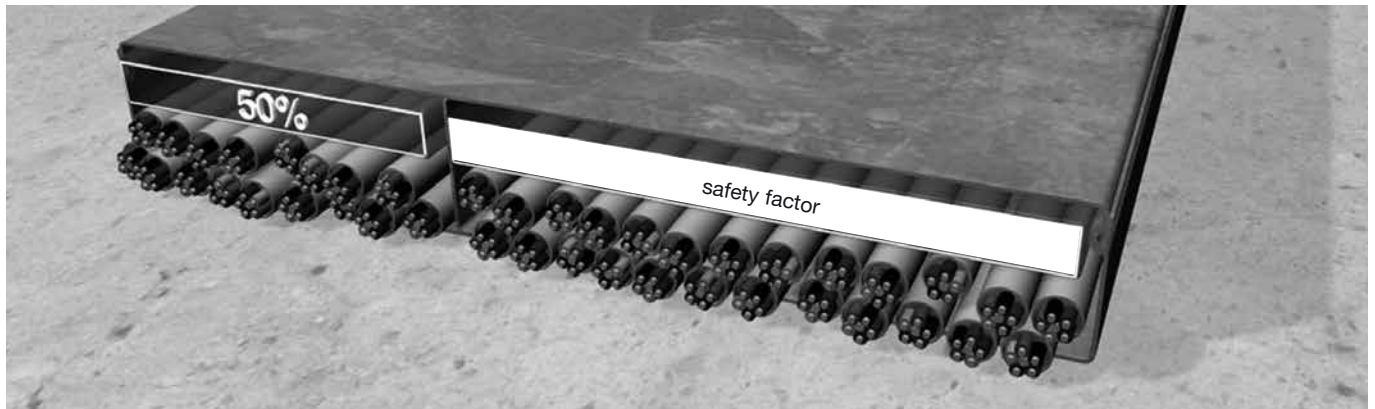
Cavity floors are made by laying prefabricated Styrofoam or plastic shells onto the bare floor which are then covered with screed. Unlike the double floor, where individual plates can be replaced as needed, the cavity floor is an enclosed screed slab mounted on supports. Similar to a double floor, wiring can be installed in a very flexible manner using 'plug-n-play' systems.

# Question 2

## What about the cable capacity?

The line volume must be known in order to define the correct trunking size. In practice, lines never run perfectly in parallel and side-by-side in a way that would ensure maximum space utilisation. This is why the formula  $(d)^2$ , i.e. the diameter squared, must be applied. To ensure sufficient space for possible later retrofitting, trunking ducts should only be filled to 50% of their volume. This also makes it easier to pull the lines into the trunking. Also, it must be noted that the calculation does not take into account bottom troughs and outlets that possibly interrupt the line path. In practice, power lines and data lines are routed separately in the trunking. Partition walls separate the trunking into several compartments. If this applies to your installation, then calculate the volume required for each compartment separately. The line volume configurator provided at [www.hager.de](http://www.hager.de) will help you make the necessary calculations.

The values calculated are for guide purposes only. Heat dissipation caused by lines carrying high currents must be taken into account. Compliance with all applicable regulations such as DIN VDE 0100 must be ensured.



### Overview of the most common line types including diameters and space requirements:

High-voltage cable



Cable type	Diameter mm	Space required cm <sup>2</sup>
1 x 10	10.5	1.10
1 x 16	11.5	1.32
1 x 25	12.5	1.56
1 x 35	13.5	1.82
1 x 50	15.5	2.40
1 x 70	16.5	2.72
1 x 95	18.5	3.42
1 x 120	20.5	4.20
1 x 150	22.5	5.06
3 x 1.5	11.5	1.32
3 x 2.5	12.5	1.56
3 x 10	17.5	3.06
3 x 16	19.5	3.80
3 x 50	26.0	6.76
3 x 70	30.0	9.00
3 x 120	36.0	12.96
4 x 1.5	12.5	1.56
4 x 2.5	13.5	1.82
4 x 6	16.5	2.72
4 x 10	18.5	3.42
4 x 16	21.5	4.62
4 x 25	25.5	6.50
4 x 35	28.0	7.84
4 x 50	30.0	9.00
4 x 70	34.0	11.56
4 x 95	39.0	15.21
4 x 120	42.0	17.64
4 x 150	47.0	22.00
5 x 1.5	13.5	1.82
5 x 2.5	14.5	2.10
5 x 6	18.5	3.42
5 x 10	20.5	4.20
5 x 16	22.5	5.06
5 x 25	27.5	7.56
5 x 35	34.0	11.56
5 x 50	40.0	16.00

High-voltage cable



Cable type	Diameter mm	Space required cm <sup>2</sup>
1 x 4	6.5	0.42
1 x 6	7.0	0.49
1 x 10	8.0	0.64
1 x 16	9.5	0.90
1 x 25	12.5	1.56
3 x 1.5	9.1	0.83
3 x 2.5	10.4	1.08
3 x 4	11.0	1.21
4 x 1.5	9.0	0.81
4 x 2.5	10.5	1.10
4 x 4	12.5	1.56
4 x 6	13.5	1.82
4 x 10	16.5	2.72
4 x 16	19.0	3.61
4 x 25	23.5	5.52
4 x 35	26.0	6.76
5 x 1.5	10.8	1.17
5 x 2.5	12.2	1.49
5 x 4	13.5	1.82
5 x 6	14.5	2.10
5 x 10	18.0	3.24

Telecommunication line



Cable type	Diameter mm	Space required cm <sup>2</sup>
2 x 2 x 0.6	5.0	0.25
4 x 2 x 0.6	6.9	0.48
6 x 2 x 0.6	7.2	0.52
10 x 2 x 0.6	7.5	0.56
20 x 2 x 0.6	9.0	0.81
40 x 2 x 0.6	11.0	1.12
60 x 2 x 0.6	13.0	1.69
100 x 2 x 0.6	17.0	2.89
200 x 2 x 0.6	23.0	5.29
2 x 2 x 0.8	6.0	0.36
4 x 2 x 0.8	7.0	0.49
6 x 2 x 0.8	8.5	0.72
10 x 2 x 0.8	9.5	0.90
20 x 2 x 0.8	13.0	1.69
40 x 2 x 0.8	16.5	2.72
60 x 2 x 0.8	20.0	4.00
100 x 2 x 0.8	25.5	6.50
200 x 2 x 0.8	32.0	10.24

Data line



Cable type	Diameter mm	Space required cm <sup>2</sup>
CAT 5	8.2	0.67
CAT 6	8.2	0.67

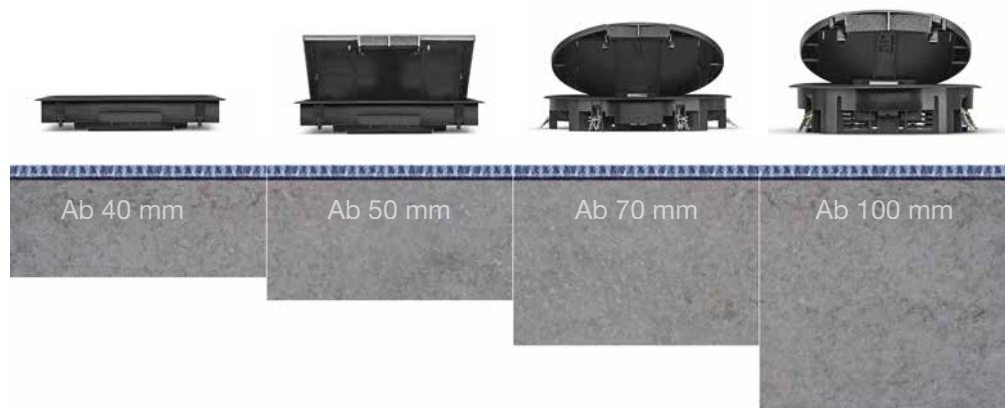
Coaxial line



Cable type	Diameter mm	Space required cm <sup>2</sup>
RG-59	6.5	0.42
10Base5	12.5	1.56

### Floor structure:

A decisive criterion for the correct selection is the floor structure. The screed height defines the clearance for underfloor installation. Different products and solutions can be used, depending on the height. Increasingly, it is the case that the screed height is becoming thinner and thinner for cost reasons. At Hager, we see this as regrettable for ready-made solutions. If the screed height is extremely low, special project-related solutions can help.



### The right device installation for every floor structure

It is generally true that: The screed height determines the clearance for the floor solution

- Special solutions for screed heights of 40 mm
- Hinged cover with ultra-flat installation depth for screed heights of 50 mm
- Standard service units for 70 mm screed height
- Stainless steel cassettes for 100 mm screed height

### Flooring:

Often the flooring for a construction product is already determined. Whether it be a carpeted floor, laminate, parquet, tiles, stone, PVC or linoleum flooring, each flooring type has a different height. Thus not every flooring matches every installation unit. Here there are three different heights to select. There are service units available for smaller flooring heights, from up to 5 mm or up to 12 mm. For larger flooring heights up to 23 mm, stainless steel cassettes are available. The finish depends on the electrical installation. Whether it be carpet, PVC, laminate, parquet or stone - often the flooring is already specified in the building plan. Since each covering has a different thickness, the covers of the service units offer different height slots, which can be glued in place in the flooring. With Hager, there are three frame heights to choose from.

Technical Information



**Frame height 5 mm** – for PVC, linoleum and carpeting  
PVC floorings have a thickness of 3 mm to 4 mm. For such floorings, as well as for thin carpets and linoleum, standard service units with 5 mm frame height are ideal.



**Frame height 12 mm** – for carpeting and laminate  
Carpet and laminate flooring typically has a thickness of 8 - 10 mm, some types of laminate with adhesive are even higher. In this case, customary frames with a height of 10 mm are not suitable. Thus Hager, as the sole supplier, offers standard service units with a 12 mm frame height. If the frame is too high, cover inlays of 1 to 2 mm can be used for relining the flooring.



**Frame height 23 mm** – for parquet, tiles or stone. For floorings such as parquet or stone tiles, the Hager range includes stainless steel cassettes with a floor recess, depending on the design, of up to 23 mm or up to 38 mm. This ensures a clean finish without highs and lows, even in very thick floor coverings!

**Floor cleaning:**

Depending on what kind of dirt a floor is exposed to, it will fall into either the “dry-cleaning” or “wet-cleaning” category. The category determines the connection solution to be used for the installation.

**Dry-cleaned and “moist-cleaned” floors**

Floorings which can be vacuum cleaned (e.g. carpet) or wiped with damp, but not wet, cleaning equipment (e.g. laminate), are classed as “dry-cleaned flooring”. All standard Hager service units, cable outlets and pedestal boxes can be used on such floors without any concerns.



**Wet-cleaned floors**

Floors which are exposed to heavy soiling, such as stone floors in factory halls, must be wet cleaned with the help of liquid detergents. For these “wet-cleaned floors”, Hager offers “watertight” system components, e.g. cable outlets with integrated splash protection or sealed service units made from aluminium or polyamide.



### Loads for service units and cassettes:

Different load requirements are set depending on the circumstances. Loads of up to 1500 newtons are normally encountered in everyday office use. However, in public buildings such as airports or train stations, this specification is no longer sufficient. The daily use of baggage trolleys, cleaning machines or mobile work platforms increases the load. In car parks and exhibition halls, there is often a requirement for the floor to be driven over. In assembly or storage halls, the load is mostly increased by forklift trucks loaded with cloth or heavy goods vehicles.

Technical Information



#### 1500 newtons, standard

Service units and stainless steel cassettes

All service units and stainless steel cassettes comply with the standard for 1500-newton loads. This includes all service units, all stainless steel cassettes, screed-flushed trunking, floor mounting trunking, etc. This is entirely adequate for normal loads in everyday office use.



#### 7500 newtons, driveable over

Service unit VAN R12

Service unit VANR12 is designed for higher loads. Thanks to its aluminium construction, this service unit can be driven over by cars.



#### 20,000 newtons, heavy-duty

Heavy-duty cassettes

Heavy-duty cassette EKSQ405 is used in particular in car parks. This stainless steel cassette is supported by a massive heavy-duty frame and offers sufficient stability for extremely high loads.



#### Special heavy-duty trunking

Heavy duty, trunking has already been manufactured several times as a customer-specific solution for several universities. It is designed for loads up to 20,000 newtons. Several widths and heights are available. Corresponding fittings such as T-pieces, intersections, junctions and end pieces were also manufactured. Simply talk to us when the need arises.



6 standard sizes

Service units, rectangular and square



Service unit Q12 (244 x 244mm)

Number of power sockets [max. pcs.]	Number of device casings	Products
12	3 x GTVR400 / GBVR400	Supply units: VQ12, VEQ12 Cassettes: EKQ12, EKSQ12



Service unit E09 (200 x 253 mm)

Number of power sockets [max. pcs.]	Number of device casings	Products
9	3 x GTVR300 / GBVR300	Supply units: VE09, VEE09 Cassettes: -



Service unit Q06 (200 x 200 mm)

Number of power sockets [max. pcs.]	Number of device casings	Products
6	2 x GTVR300 / GBVR300	Supply units: VQ06, VEQ06 Cassettes: EKQ06, EKSQ06

Service units, round



Service unit R12 (Ø 306 mm)

Number of power sockets [max. pcs.]	Number of device casings	Products
12	3 x GTVR400 / GBVR400	Supply units: VR12 Cassettes: EKR12, EKSR12



Service unit R10 (Ø 275 mm)

Number of power sockets [max. pcs.]	Number of device casings	Products
10	1 x GTVR400 + 2 x GTVR300 / 1 x GBVR400 + 2 x GBVR300	Supply units: VR10 Cassettes: -



Service unit R06 (Ø 215 mm)

Number of power sockets [max. pcs.]	Number of device casings	Products
6	2 x GTVR300 / GBVR300	Supply units: VR06 Cassettes: EKR06, EKSR06

### Selection of materials and shapes, service units and cassettes:

#### Service and installation units

In order to usefully administer commercial buildings, you need to be able to draw on ample resources - both in terms of energy as well as information and data. The electraplan service and installation units. Service and installation units deliver everything that your customers desire: They are compatible with all electraplan floor installation systems and can be fitted, as needed, with six to twelve junction boxes. So that you can draw on ample resources when carrying out your planning, the service units are available in many materials, shapes and colours.

Each device casing can be equipped variably: with Schuko outlets or support bracket devices for power and multimedia technical information.

Technical  
Information



#### Polyamide

The standard material for service units is polyamide. Polyamide frames support a load of up to 1.5 kN (DIN specification) - ideal for conventional floor use. Polyamide service units are available in two standard colours. If your customer does not wish to have everything "green in grey", we can supply them - above a certain minimum order - in any RAL colour. Colours: Grey (RAL 7011), black (RAL 9005). Sizes: large selection for the use of, for example, 6, 9, 10 or 12 sockets.

Shapes:



#### Aluminium

In conjunction with high quality floorings - e.g. stone tiles - we recommend the use of aluminium service units. These are not only robust, but also provide a more elegant flooring appearance. For heavy-duty use in public buildings - e.g. showrooms, airports or railway stations - Hager offers aluminium units supporting loads of up to 7.5 kN.

Sizes: 2 sizes for the use of e.g. 6 or 12 sockets

Shapes:



#### Stainless steel

Stainless steel service units are particularly robust. They correspond to the DIN load specification of 1.5 kN. As a heavy duty cartridge, they can withstand loads even up to 20 kN (see page 48). A further advantage: Thanks to their thin edges they are almost unnoticeable in the floor - and then only for their elegant appearance.

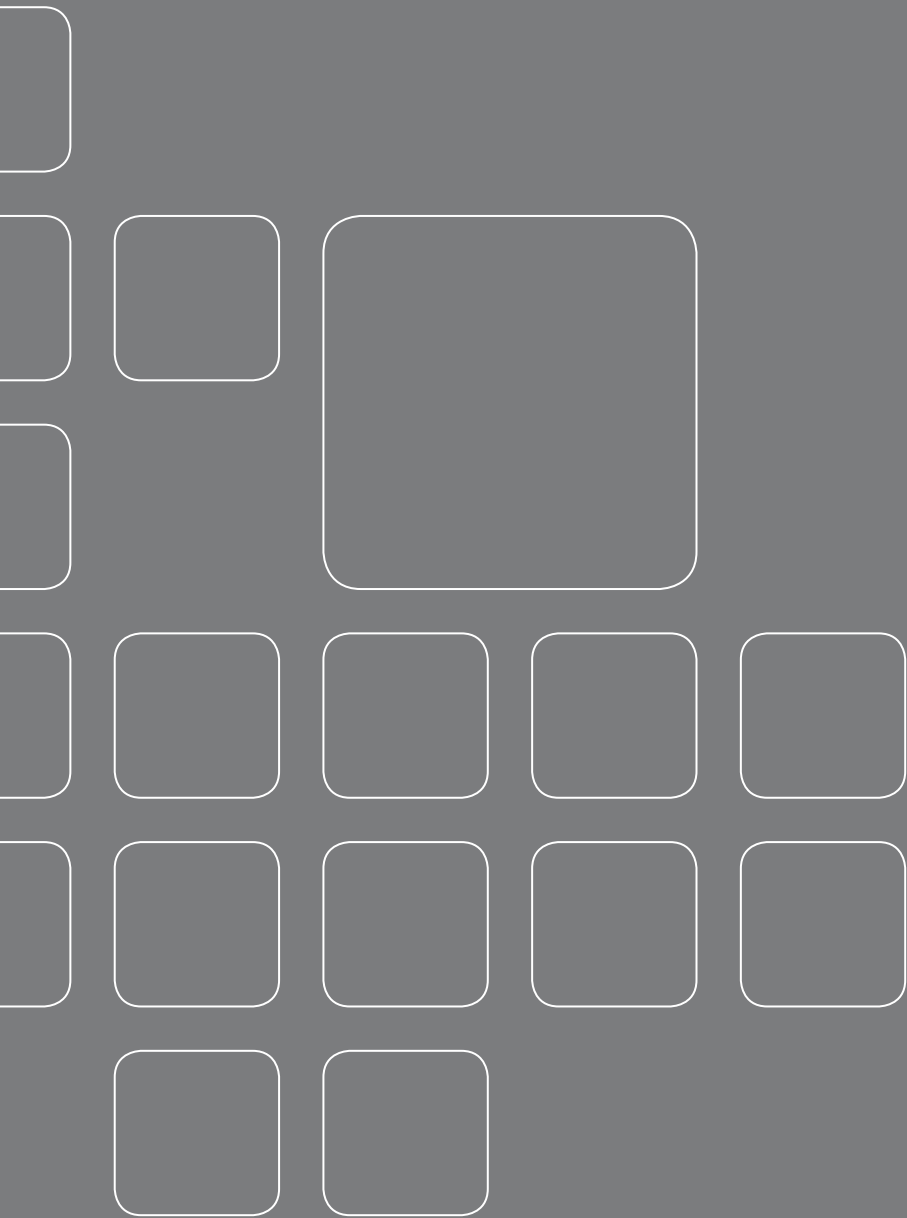
Sizes: 2 sizes for the use of e.g. 6 or 12 sockets

Shapes:





# Technical information



Laying of flooring	276
<hr/>	
Instructions for screed layer	287
<hr/>	
General technical information	279
<hr/>	
Regulations and recommendations	280
<hr/>	

**Preparation**

The screed must be fully cured before installation. Flooring that becomes detached from the screed constitutes a trip hazard. Use a butt joint cover to eliminate trip hazards. Follow the relevant health and safety guidelines in the workplace that apply in your country. In Germany, you must ensure compliance with section 4.9 "Safety regulations for office workplaces" of the Administration Professional Liability Insurers Association. In this case, and if the carpet frays significantly, we recommend the installation of a butt joint cover.

Note: The company laying the flooring is responsible for cutting and laying the flooring accurately at the exit points of the trunking system (VOB Part C/DIN 18365).

Trunking covers made of wood materials must be treated on both sides, as otherwise the trunking covers may warp.

If flooring is bonded on one side only, we recommend the use of double-sided adhesive carpet tape.

**Covering butt edge / connection of flooring at flush floor trunking system:**

The blank trunking covers need to be lifted off before the flooring can be laid.

A plastic PVC profile is installed at the factory in the left side and right side profile of the trunking.

The plastic profile can be fitted flush (bonded over) or raised (visible) as a covering butt joint edge.

**Flush covering butt joint edge (0 mm protrusion):**

This type of installation is recommended if the trunking covers are rarely lifted. This is not suitable for fraying carpets. We recommend using a butt joint cover. Insert the plastic profile in a flush position inside the trunking side profile and bond it in place. After the bond has cured, lay the carpet over the trunking and cut off the flooring on the inside of the plastic profile. Do not damage the plastic profile. The cut-off carpet should be used for covering the blank trunking covers. In the case of hard flooring such as wood or tiles the flooring should be worked up to the inside of the PVC profile. An appropriate expansion joint must be provided.

**Raised covering butt joint edge (4 mm protrusion, also available in 3.2 mm as an option):**

This type of installation is recommended if the trunking covers will be lifted frequently. This is not suitable for fraying carpets. We recommend using a butt joint cover. Remove the plastic profile from the trunking side profile. Lay the carpet over the trunking, cut off the flooring on the inside of the trunking side profile. The cut-off carpet should be used for covering the blank trunking covers. Insert the plastic profile in the trunking side profile in a raised position and bond it in place. A PVC flooring can be welded to the butt edge. In the case of hard flooring such as wood or tiles the flooring should be worked up to the inside of the PVC profile. An appropriate expansion joint must be provided.

**Concealed screw heads (rare lifting of trunking covers):**

Set clean trunking covers with the countersunk side facing upwards into the trunking and screw in the fastening screws.

Cover and bond each trunking cover with flooring. Take care to observe the direction of the web of the carpet.

(Attention: Before you open the trunking cover, detach the flooring from the trunking cover to gain access to the fastening screws.)

**Visible screw heads (frequent lifting of trunking covers):**

Bond the flooring to the non-countersunk side of the clean trunking cover.

Take care to observe the direction of the web of the carpet. Place the trunking cover into the trunking. Screw the fastening screws of the trunking cover through the carpet into the trunking side profile. The web of the carpet covers and conceals the screw heads.

**Butt joint cover / connection of flooring to flush floor trunking system:**

The use of a butt joint cover is recommended for easily fraying carpet. Items are supplied loose in sections of 2.4 meters. The blank trunking covers need to be lifted off before the flooring can be laid. A plastic PVC profile is installed at the factory in the left side and right side profile of the trunking. Remove the plastic profile from the trunking side profile. Lay the carpet over the trunking, cut off the flooring on the inside of the trunking side profile. The cut-off carpet should be used for covering the blank trunking covers. In the case of hard flooring such as wood or tiles the flooring should be worked up to the inside of the PVC profile. An appropriate expansion joint has to be considered. Press the butt joint cover into the slot between the blank trunking covers and the trunking side profile. Do not pull the butt joint cover in a lengthwise direction.

**Floor boxes and installation openings in trunking covers:**

Remove the factory-installed protective cover. In the case of universal junction boxes the protective cover must be exchanged against a fitting frame UDM2 or UDM3 (to be ordered separately) in accordance with the size of the service unit or cover. In the case of device casings and installation openings a fitting frame is not necessary as the device boxes and installation openings can directly accommodate service units and covers of the corresponding size.

**Service units or covers with flooring frame:**

Lay the carpet over the respective installation opening and cut off at the inside of the installation opening. In the case of hard flooring such as wood or tiles an appropriate expansion joint to the installation opening must be provided.

**Service units or covers with carpet edge:**

Lay the carpet over the respective installation opening and cut off approx. 3 mm larger than the inside of the installation opening. In the case of hard flooring such as wood or tiles the service unit must be installed before laying the flooring. An appropriate expansion joint must be provided.

**Cutting out the flooring:**

The cut-out carpet should be used to cover relevant cover of the service unit or cover to be used. Templates for carpets for cutting the flooring of the respective lid must be ordered separately. When covering the lids with carpet take care to observe the direction of the web of the carpet. In the case of hard flooring an appropriate expansion joint in the lid must be provided.

## Instructions for screed layer

**General instructions:**

When levelled to the required screed height, the trunking system must not be subjected to loads, be walked on or opened before the screed has cured to the required strength. In the case of covers with snap fastenings, the screws securing the cover must not be removed until the screed has been cured. Flush floor trunking and junction boxes must be levelled to the correct height before the screed is laid (meter rules provided by the customer). The person laying the screed must verify the levelling height. Carefully lay the screed against the flush floor trunkings and junction boxes and compact it to ensure that the required load-bearing capacity is achieved. All trunking openings that are larger than the screed aggregate used must be sealed.

**Flowing screed:**

Before the screed is applied, the trunking and junction boxes must be weighted down to prevent them floating up. Trunking and junction boxes must be protected against screed ingress by the customer. Sufficient screed must run under the side profiles and against the film. Cavities must be avoided.

**Aggressive screeds:**

The customer must insulate all metal parts coming into contact with the screed using a chloride-free and alkali-free bitumen coating or other suitable measures (VOB Part C).

**Corrosion:**

The corrosion on metal underfloor components can be reduced to a minimum if the maximum moisture content of the screed (in accordance with DIN 4725 part 4) is observed. Trunkings must be sufficiently ventilated for drying.

**Hot screed:**

Flush floor trunking and junction boxes must not come into direct contact with hot screeding compound. In the case of screed casing, an approx. 10 cm wide layer must be worked up to the components for thermal insulation, e.g. cement screed. Metal casing and trunking bottoms must be thermally insulated, e.g. with bituminous corrugated board. Screed-embedded trunkings should be covered with 2 to 3 layers of bituminous corrugated board. Avoid any cavities!

Hager will not be liable for any damage caused by incorrect installation on the trunking system or the junction boxes in conjunction with hot screed.

**Expansion pressure of the screed slab:**

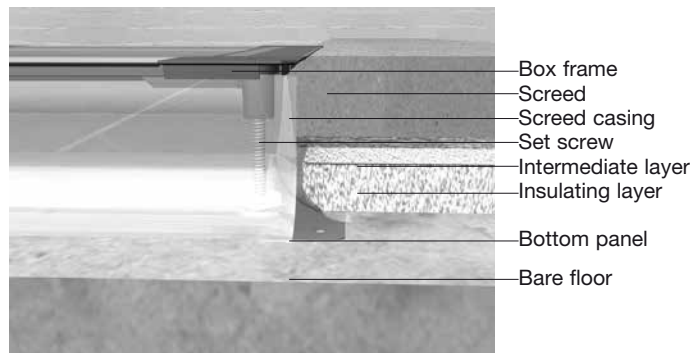
The screed may expand during the curing phase and press against the trunking and the junction box. This depends on the size of the screed slab and the composition of the screed. Following recommendations by screed companies, we offer a true-to-size self-adhesive soft rubber strip that can be fixed at the upper part of the profile so that the expansion pressure of the screed slab onto the trunking is minimised.

The decision about the use of soft rubber strip has to be coordinated with the screed layer.

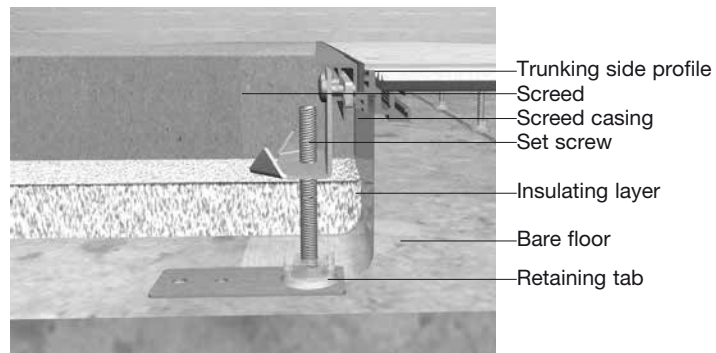
Technical Information

## Footfall sound insulation and screed casing:

### Junction boxes



### Flush floor trunking



It is essential that the footfall sound insulation mat is brought up to the screed casing of the flush floor trunking and junction box.

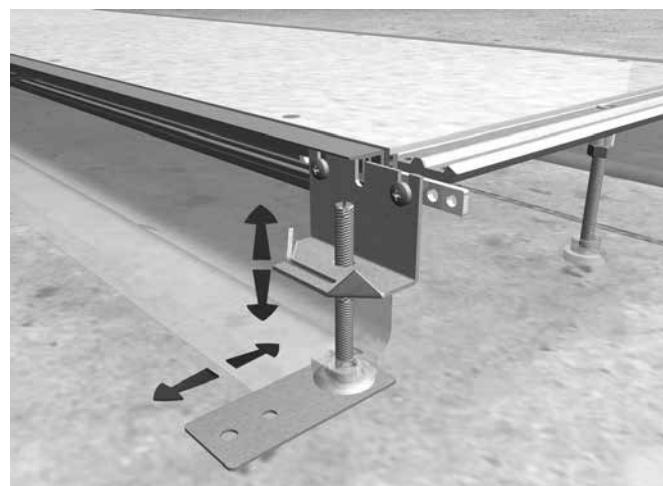
Metal conductive sound bridges from the flush floor trunking to the bare floor or from the junction boxes with screed casing to the bare floor must be avoided.

## Flexible system suspension:

### Junction boxes



### Flush floor trunking



The flexible system suspension allows the top part of the junction box or flush floor trunking to follow the movement of the screed slab.

To prevent cracking, rigid joints between the flush floor trunking or junction box and the bare floor must be avoided.



**Mechanical load:**

The trunking system, junction boxes and service units are manufactured to the technical requirements of DIN EN 50085 and DIN EN 60670. Flush-mounted floor components have a load-bearing capacity of 1,500 N. Slight sagging is permissible.

**Installation:**

When installing underfloor trunking systems the different expansion and shrinkage behaviours of the adjoining materials (screed, floorings) must be observed. Suitable measures must be taken to protect the underfloor trunking system against these movements (variation of volume). To prevent cracks in thin floorings (stone, tiles), it must be verified that the flooring is suitable for the application.

**Safety measures, equipotential bonding:**

Underfloor trunking systems, installation units and accessories made of metal and the metal parts of composite items must be included in the safety measures in accordance with DIN VDE 0100. The connections between the components can be considered to be sufficiently conductive if the connection points are either welded, soldered, riveted, bolted or if bare metallic surfaces are joined under pressure. Expansion joints made at the building site must be connected by flexible lines to ensure equipotential bonding. The protective conductor terminal must accommodate the required number of conductors of a rated cross-section of 1.5 to 4 mm<sup>2</sup>. The protective conductor connection may be waived for inactive metal parts such as screws, rivets, type plates if these parts are very small or located in positions where they cannot be grasped or do not provide a large contact surface.

**Soundproofing:**

Soundproofing in buildings is defined in DIN 4109. The transmission of sound inside trunking systems can be restricted through the use of suitable soundproofing materials on site. Fire safety regulations must be observed when selecting the soundproofing materials. The transmission of structure-borne sound through ceilings caused by footsteps can be reduced through the use of screed-covered trunking with soundproofing mats. Flush floor trunking systems from Hager are available with soundproofing mounts on request. The soundproofing mounts reduce the transmission of structure-borne sound through the ceiling.

**Fire protection:**

General statements pertaining to fire safety are outlined in DIN 4102. Cable bulkheads with cable bushings must comply with the DIN specifications and must be certified. Special regulations are contained in the fire protection ordinances applicable on site.

**Dimensions:**

General tolerances of dimensions provided for metal parts are based on DIN 2768 part 1 (medium). General tolerances of dimensions provided for plastic parts are based on DIN 16901.

**Further standards, directives and regulations:**

- Installation and operation of underfloor electrical installations must comply with the requirements of the following DIN standards, VDE statutory requirements and regulations in their latest issue.
- DIN EN 60670-1 and -23 (Underfloor electrical installation - built-in units)
  - DIN EN 50085-1 and -2-2 (Underfloor electrical installation - trunkings and accessories)
  - DIN VDE 0100 (especially part 520)
  - DIN VDE 0105
  - DIN VDE 0107
  - DIN VDE 0108 (see annex 1 of part 1)
  - DIN VDE 0298
  - DIN VDE 0800
  - DIN 31000/VDE 01000
  - FTZ directive 731TR1
  - TAB (Technical connection conditions) of the utility provider responsible
  - BGV A2 (Electrical plants and devices)
  - AVB EIt. V (General conditions for power supply to tariff customers)
  - VOB (Service regulations for construction services)
  - Safe design of passages, floors and stairs
  - Directive: Construction and equipment of schools
  - Directive on fire safety, form 2013 (Vds)

Classification according to EN 50085-1	BKF	BKW	BKFD	BKWD	KDE	KDQ	BDE	BDQ	SPW	UK	VANR	VQ	VR	PU	VDQ	VDR	VDE
<b>Based on impact resistance for installation and application</b>																	
Cable trunking and ducting systems for 0.5 J impact energy (IK04)																	
Cable trunking and ducting systems for 1 J impact energy (IK06)																	
Cable trunking and ducting systems for 2 J impact energy (IK07)																	
Cable trunking and ducting systems for 5 J impact energy (IK08)					x	x	x	x		x	x <sub>1x1</sub>	x	x	x	x	x	x
Cable trunking and ducting systems for 20 J impact energy (IK10)	x	x	x	x							x <sub>2x2</sub>						
<b>Based on temperature</b>																	
Minimum storage and transport temperatures +/- 2°C																	
-45																	
-25	x	x	x	x						x							
-15					x	x	x	x			x	x	x	x	x	x	x
-5																	
Minimum installation and application temperatures +/- 2°C																	
-25																	
-15										x							
-5	x	x	x	x	x	x	x	x			x	x	x	x	x	x	x
+5																	
+15																	
Maximum application temperatures +/- 2°C																	
+60	x	x	x	x	x	x	x	x		x	x	x	x	x	x	x	x
+90																	
+105																	
+120																	

**Explanations:**

- x applicable classification
- \*1 under examination
- \*2 under consultation
- ./ not specified

Classification according to EN 50085-1	BKF	BKW	BKFD	BKWD	KDE	KDQ	BDE	BDQ	SPW	UK	VANR	VQ	VR	PU	VDQ	VDR	VDE
<b>Based on resistance to flame propagation</b>																	
Flame-propagating cable trunking and ducting systems																	
Non-flame-propagating cable trunking and ducting systems	x	x	x	x	x	x	x	x		x	x	x	x	x	x	x	x
<b>Based on electrical conductivity</b>																	
Cable trunking and ducting system with electrical conductivity	x	x	x	x						x	x						
Cable trunking and ducting system without electrical conductivity					x	x	x	x				x	x	x	x	x	x
<b>Based on electrical insulating properties</b>																	
Cable trunking and ducting system with electrical insulating properties					x	x	x	x				x	x	x	x	x	x
Cable trunking and ducting system without electrical insulating properties	x	x	x	x						x	x						
<b>Based on degree of protection afforded by housing/casing in accordance with EN60529:1991</b>																	
Based on protection against penetration of solid foreign bodies																	
Based on protection against penetration of water																	
Based on protection against contact with hazardous parts																	
IP20 connection units in use					x	x	x	x			x	x	x	x	x	x	x
IP20										x							
IP30 connection units not in use					x	x	x	x				x	x	x	x	x	x
IP30 access units					x	x	x	x				x	x	x	x	x	x
IP30	x	x	x	x													
IP40																	
IP66 connection units not in use											x						
<b>Protection against corrosive or contaminating substances</b>																	
With low external and internal protection										x							
With moderate external and internal protection											x						
With high external and internal protection	x	x	x	x													
With moderate external and low internal protection																	
With high external and low internal protection																	
With high external and moderate internal protection																	
<b>Fastening type for system duct cover</b>																	
Can be opened without tools																	
Only to be opened with tools	x	x	x	x	x	x	x	x		x	x	x	x	x	x	x	x
<b>Electrical separation</b>																	
Without internal separation element	x	x	x	x	x	x	x	x		x	x	x	x	x	x	x	x
With internal separation element																	

**Explanations:**

- x applicable classification
- \*1 under examination
- \*2 under consultation
- ./ not specified

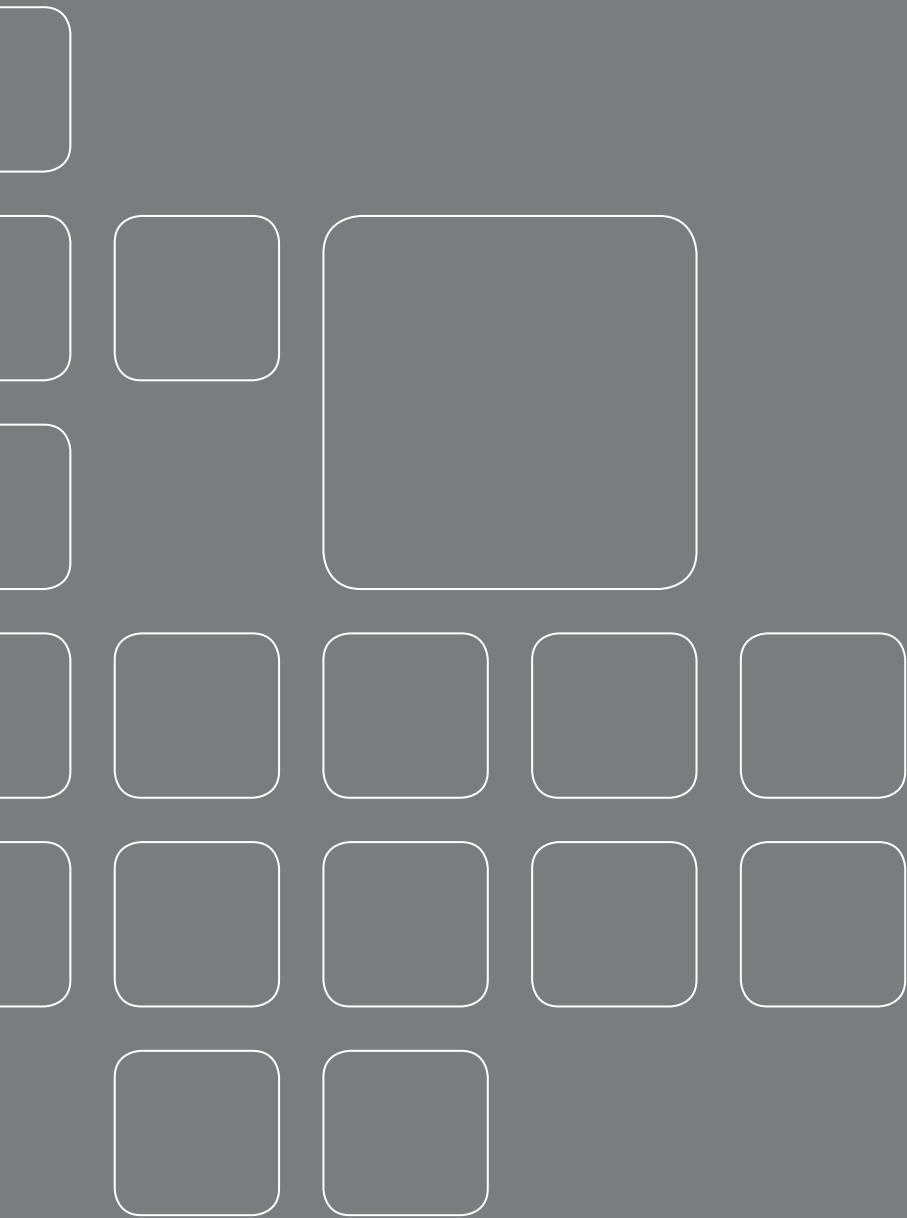
Classification according to EN 50085-1	BKF	BKW	BKFD	BKWD	KDE	KDQ	BDE	BDQ	SPW	UK	VANR	VQ	VR	PU	VDQ	VDR	VDE
<b>Based on type of floor care</b>																	
Electrical installation system for dry floor care	x	x	x	x	x	x	x	x		x	x	x	x	x	x	x	x
Electrical installation system for wet floor cleaning when the service unit is not in use										x	x						
Electrical installation system for wet floor cleaning when the service unit is in use											x						
<b>Based on resistance to vertical loads applied to a small area</b>																	
Electrical installation system for 500 N											x <sub>1x1</sub>						
Electrical installation system for 750 N																	
Electrical installation system for 1000 N																	
Electrical installation system for 1500 N					x	x	x	x		x		x	x	x	x	x	x
Electrical installation system for 2000 N	x	x	x	x													
Electrical installation system for 2500 N																	
Electrical installation system for 3000 N											x <sub>2x2</sub>						
<b>Based on resistance to vertical loads applied to a large area</b>																	
Electrical installation system for 2000 N																	
Electrical installation system for 3000 N	x	x	x	x													
Electrical installation system for 5000 N											x <sub>1</sub>						
Electrical installation system for 10,000 N											x <sub>2</sub>						
Electrical installation system for 15,000 N																	

x<sub>1</sub>: With polyamide tube cable outlet  
 x<sub>2</sub>: With aluminium tube cable outlet

**Explanations:**  
 x applicable classification  
 \*1 under examination  
 \*2 under consultation  
 ./ not specified



# Appendix



Alphanumeric appendix	286
CE identification	299
Notes	301

Order number	Product description	PU	Page
<b>A</b>			
AKA181250ELN	floortrack AKA181250ELN	12 M	122
AKB41500401	blind lid 400mm 45° one-sided AK 150x40	1 pcs	111
AKB41500401V	blind lid 400mm 45° 100EW f AK 150x40	1 pcs	115
AKB41500402	blind lid 400mm 45° two-sided AK 150x40	1 pcs	115
AKB41500701	blind lid 400mm 45° one-sided AK 150x70	1 pcs	113
AKB41500701V	blind lid 400mm 45° 100EW f AK 150x70	1 pcs	117
AKB41500702	blind lid 400mm 45° two-sided AK 150x70	1 pcs	117
AKB42000401	blind lid 400mm 45° one-sided AK 200x40	1 pcs	111
AKB42000401V	blind lid 400mm 45° 100EW f AK 200x40	1 pcs	115
AKB42000402	blind lid 400mm 45° two-sided AK 200x40	1 pcs	115
AKB42000701	blind lid 400mm 45° one-sided AK 200x70	1 pcs	113
AKB42000701V	blind lid 400mm 45° 100EW f AK 200x70	1 pcs	117
AKB42000702	blind lid 400mm 45° two-sided AK 200x70	1 pcs	117
AKB42500401	blind lid 400mm 45° one-sided AK 250x40	1 pcs	111
AKB42500401V	blind lid 400mm 45° 100EW f AK 250x40	1 pcs	115
AKB42500402	blind lid 400mm 45° two-sided AK 250x40	1 pcs	115
AKB42500701	blind lid 400mm 45° one-sided AK 250x70	1 pcs	113
AKB42500701V	blind lid 400mm 45° 100EW f AK 250x70	1 pcs	117
AKB42500702	blind lid 400mm 45° two-sided AK 250x70	1 pcs	117
AKB43000401	blind lid 400mm 45° one-sided AK 300x40	1 pcs	111
AKB43000401V	blind lid 400mm 45° 100EW f AK 300x40	1 pcs	115
AKB43000402	blind lid 400mm 45° two-sided AK 300x40	1 pcs	115
AKB43000701	blind lid 400mm 45° one-sided AK 300x70	1 pcs	113
AKB43000701V	blind lid 400mm 45° 100EW f AK 300x70	1 pcs	117
AKB43000702	blind lid 400mm 45° two-sided AK 300x70	1 pcs	117
AKB43500701	blind lid 400mm 45° one-sided AK 350x70	1 pcs	113
AKB43500701V	blind lid 400mm 45° 100EW f AK 350x70	1 pcs	117
AKB43500702	blind lid 400mm 45° two-sided AK 350x70	1 pcs	117
AKB44000701	blind lid 400mm 45° one-sided AK 400x70	1 pcs	113
AKB44000701V	blind lid 400mm 45° 100EW f AK 400x70	1 pcs	117
AKB44000702	blind lid 400mm 45° two-sided AK 400x70	1 pcs	117
AKB81500401	blind lid 800mm 45° one-sided AK 150x40	1 pcs	111
AKB81500401V	blind lid 800mm 45° 100EW f AK 150x40	1 pcs	115
AKB81500402	blind lid 800mm 45° two-sided AK 150x40	1 pcs	115
AKB81500701	blind lid 800mm 45° one-sided AK 150x70	1 pcs	113
AKB81500701V	blind lid 800mm 45° 100EW f AK 150x70	1 pcs	117
AKB81500702	blind lid 800mm 45° two-sided AK 150x70	1 pcs	117
AKB82000401	blind lid 800mm 45° one-sided AK 200x40	1 pcs	111
AKB82000401V	blind lid 800mm 45° 100EW f AK 200x40	1 pcs	115
AKB82000402	blind lid 800mm 45° two-sided AK 200x40	1 pcs	115
AKB82000701	blind lid 800mm 45° one-sided AK 200x70	1 pcs	113
AKB82000701V	blind lid 800mm 45° 100EW f AK 200x70	1 pcs	117
AKB82000702	blind lid 800mm 45° two-sided AK 200x70	1 pcs	117
AKB82500401	blind lid 800mm 45° one-sided AK 250x40	1 pcs	111
AKB82500401V	blind lid 800mm 45° 100EW f AK 250x40	1 pcs	115
AKB82500402	blind lid 800mm 45° two-sided AK 250x40	1 pcs	115
AKB82500701	blind lid 800mm 45° one-sided AK 250x70	1 pcs	113
AKB82500701V	blind lid 800mm 45° 100EW f AK 250x70	1 pcs	117
AKB82500702	blind lid 800mm 45° two-sided AK 250x70	1 pcs	117
AKB83000401	blind lid 800mm 45° one-sided AK 300x40	1 pcs	111
AKB83000401V	blind lid 800mm 45° 100EW f AK 300x40	1 pcs	115
AKB83000402	blind lid 800mm 45° two-sided AK 300x40	1 pcs	115
AKB83000701	blind lid 800mm 45° one-sided AK 300x70	1 pcs	113
AKB83000701V	blind lid 800mm 45° 100EW f AK 300x70	1 pcs	117
AKB83000702	blind lid 800mm 45° two-sided AK 300x70	1 pcs	117
AKB83500701	blind lid 800mm 45° one-sided AK 350x70	1 pcs	113
AKB83500701V	blind lid 800mm 45° 100EW f AK 350x70	1 pcs	117
AKB83500702	blind lid 800mm 45° two-sided AK 350x70	1 pcs	117
AKB84000701	blind lid 800mm 45° one-sided AK 400x70	1 pcs	113
AKB84000701V	blind lid 800mm 45° 100EW f AK 400x70	1 pcs	117
AKB84000702	blind lid 800mm 45° two-sided AK 400x70	1 pcs	117
AKBA1500401	blind lid ext. corner 90° f AK 150x40	1 pcs	111
AKBA1500401V	blind lid ext. corner 100EW f AK 150x40	1 pcs	115
AKBA1500701	blind lid ext. corner 90° f AK 150x70	1 pcs	113
AKBA1500701V	blind lid ext. corner 100EW f AK 150x70	1 pcs	117
AKBA2000401	blind lid ext. corner 90° f AK 200x40	1 pcs	111
AKBA2000401V	blind lid ext. corner 100EW f AK 200x40	1 pcs	115
AKBA2000701	blind lid ext. corner 90° f AK 200x70	1 pcs	113
AKBA2000701V	blind lid ext. corner 100EW f AK 200x70	1 pcs	117
AKBA2500401	blind lid ext. corner 90° f AK 250x40	1 pcs	111
AKBA2500401V	blind lid ext. corner 100EW f AK 250x40	1 pcs	115
AKBA2500701	blind lid ext. corner 90° f AK 250x70	1 pcs	113
AKBA2500701V	blind lid ext. corner 100EW f AK 250x70	1 pcs	117
AKBA3000401	blind lid ext. corner 90° f AK 300x40	1 pcs	111
AKBA3000401V	blind lid ext. corner 100EW f AK 300x40	1 pcs	115
AKBA3000701	blind lid ext. corner 90° f AK 300x70	1 pcs	113
AKBA3000701V	blind lid ext. corner 100EW f AK 300x70	1 pcs	117
AKBA3500701	blind lid ext. corner 90° f AK 350x70	1 pcs	113
AKBA3500701V	blind lid ext. corner 100EW f AK 350x70	1 pcs	117
AKBA4000701	blind lid ext. corner 90° f AK 400x70	1 pcs	113
AKBA4000701V	blind lid ext. corner 100EW f AK 400x70	1 pcs	117
AKBAS1500401	blind lid 800mm 45° opening f AK 150x40	1 pcs	111
AKBAS1500701	blind lid 800mm 45° opening f AK 150x70	1 pcs	113
AKBAS2000401	blind lid 800mm 45° opening f AK 200x40	1 pcs	111
AKBAS2000701	blind lid 800mm 45° opening f AK 200x70	1 pcs	113
AKBAS2500401	blind lid 800mm 45° opening f AK 250x40	1 pcs	111
AKBAS2500701	blind lid 800mm 45° opening f AK 250x70	1 pcs	113
AKBAS3000401	blind lid 800mm 45° opening f AK 300x40	1 pcs	111
AKBAS3000701	blind lid 800mm 45° opening f AK 300x70	1 pcs	113
AKBAS3500701	blind lid 800mm 45° opening f AK 350x70	1 pcs	113
AKBAS4000701	blind lid 800mm 45° opening f AK 400x70	1 pcs	113
AKBAZ1500402	blind lid 45° branch for AK 150x40mm	1 pcs	115
AKBAZ1500702	blind lid 45° branch for AK 150x70mm	1 pcs	117
AKBAZ2000402	blind lid 45° branch for AK 200x40mm	1 pcs	115
AKBAZ2000702	blind lid 45° branch for AK 200x70mm	1 pcs	117



Order number	Product description	PU	Page
AKBAZ2500402	blind lid 45° branch for AK 250x40mm	1 pcs	115
AKBAZ2500702	blind lid 45° branch for AK 250x70mm	1 pcs	117
AKBAZ3000402	blind lid 45° branch for AK 300x40mm	1 pcs	115
AKBAZ3000702	blind lid 45° branch for AK 300x70mm	1 pcs	117
AKBAZ3500702	blind lid 45° branch for AK 350x70mm	1 pcs	117
AKBAZ4000702	blind lid 45° branch for AK 400x70mm	1 pcs	117
AKBI1500401	blind lid int. corner 90° f AK 150x40	1 pcs	111
AKBI1500401V	blind lid int. corner 100EW f AK 150x40	1 pcs	115
AKBI1500701	blind lid int. corner 90° f AK 150x70	1 pcs	113
AKBI1500701V	blind lid int. corner 100EW f AK 150x70	1 pcs	117
AKBI2000401	blind lid int. corner 90° f AK 200x40	1 pcs	111
AKBI2000401V	blind lid int. corner 100EW f AK 200x40	1 pcs	115
AKBI2000701	blind lid int. corner 90° f AK 200x70	1 pcs	113
AKBI2000701V	blind lid int. corner 100EW f AK 200x70	1 pcs	117
AKBI2500401	blind lid int. corner 90° f AK 250x40	1 pcs	111
AKBI2500401V	blind lid int. corner 100EW f AK 250x40	1 pcs	115
AKBI2500701	blind lid int. corner 90° f AK 250x70	1 pcs	113
AKBI2500701V	blind lid int. corner 100EW f AK 250x70	1 pcs	117
AKBI3000401	blind lid int. corner 90° f AK 300x40	1 pcs	111
AKBI3000401V	blind lid int. corner 100EW f AK 300x40	1 pcs	115
AKBI3000701	blind lid int. corner 90° f AK 300x70	1 pcs	113
AKBI3000701V	blind lid int. corner 100EW f AK 300x70	1 pcs	117
AKBI3500701	blind lid int. corner 90° f AK 350x70	1 pcs	113
AKBI3500701V	blind lid int. corner 100EW f AK 350x70	1 pcs	117
AKBI4000701	blind lid int. corner 90° f AK 400x70	1 pcs	113
AKBI4000701V	blind lid int. corner 100EW f AK 400x70	1 pcs	117
AKE1500401	endcap f on-floor trunking one-s. 150x40	1 pcs	111
AKE1500402	endcap f on-floor trunking two-s. 150x40	1 pcs	115
AKE1500701	endcap f on-floor trunking one-s. 150x70	1 pcs	113
AKE1500702	endcap f on-floor trunking two-s. 150x70	1 pcs	117
AKE2000401	endcap f on-floor trunking one-s. 200x40	1 pcs	111
AKE2000402	endcap f on-floor trunking two-s. 200x40	1 pcs	115
AKE2000701	endcap f on-floor trunking one-s. 200x70	1 pcs	113
AKE2000702	endcap f on-floor trunking two-s. 200x70	1 pcs	117
AKE2500401	endcap f on-floor trunking one-s. 250x40	1 pcs	111
AKE2500402	endcap f on-floor trunking two-s. 250x40	1 pcs	115
AKE2500701	endcap f on-floor trunking one-s. 250x70	1 pcs	113
AKE2500702	endcap f on-floor trunking two-s. 250x70	1 pcs	117
AKE3000401	endcap f on-floor trunking one-s. 300x40	1 pcs	111
AKE3000402	endcap f on-floor trunking two-s. 300x40	1 pcs	115
AKE3000701	endcap f on-floor trunking one-s. 300x70	1 pcs	113
AKE3000702	endcap f on-floor trunking two-s. 300x70	1 pcs	117
AKE3500701	endcap f on-floor trunking one-s. 350x70	1 pcs	113
AKE3500702	endcap f on-floor trunking two-s. 350x70	1 pcs	117
AKE4000701	endcap f on-floor trunking one-s. 400x70	1 pcs	113
AKE4000702	endcap f on-floor trunking two-s. 400x70	1 pcs	117
AKM150050GBZ	service outlet lid f AK 150mm GBZ	1 pcs	118
AKM200050GBZ	service outlet lid f AK 200mm GBZ	1 pcs	118
AKM200147E04	service outlet lid f AK 200mm E04	1 pcs	119
AKM250050GBZ	service outlet lid f AK 250mm GBZ	1 pcs	118
AKM250147E04	service outlet lid f AK 250mm E04	1 pcs	119
AKM250200E09	service outlet lid f AK 250mm E09	1 pcs	119
AKM250200Q06	service outlet lid f AK 250mm Q06	1 pcs	119
AKM300050GBZ	service outlet lid f AK 300mm GBZ	1 pcs	118
AKM300147E04	service outlet lid f AK 300mm E04	1 pcs	119
AKM300200E09	service outlet lid f AK 300mm E09	1 pcs	119
AKM300200Q06	service outlet lid f AK 300mm Q06	1 pcs	119
AKM300215R06	service outlet lid f AK 300mm R06	1 pcs	118
AKM300244Q12	service outlet lid f AK 300mm Q12	1 pcs	119
AKM350050GBZ	service outlet lid f AK 350mm GBZ	1 pcs	118
AKM350147E04	service outlet lid f AK 350mm E04	1 pcs	119
AKM350200E09	service outlet lid f AK 350mm E09	1 pcs	119
AKM350200Q06	service outlet lid f AK 350mm Q06	1 pcs	119
AKM350215R06	service outlet lid f AK 350mm R06	1 pcs	118
AKM350244Q12	service outlet lid f AK 350mm Q12	1 pcs	119
AKM350275R10	service outlet lid f AK 350mm R10	1 pcs	118
AKM350294Q08	service outlet lid f AK 350mm Q08	1 pcs	119
AKM350306R12	service outlet lid f AK 350mm R12	1 pcs	118
AKM400050GBZ	service outlet lid f AK 400mm GBZ	1 pcs	118
AKM400147E04	service outlet lid f AK 400mm E04	1 pcs	119
AKM400200E09	service outlet lid f AK 400mm E09	1 pcs	119
AKM400200Q06	service outlet lid f AK 400mm Q06	1 pcs	119
AKM400215R06	service outlet lid f AK 400mm R06	1 pcs	118
AKM400244Q12	service outlet lid f AK 400mm Q12	1 pcs	119
AKM400275R10	service outlet lid f AK 400mm R10	1 pcs	118
AKM400294Q08	service outlet lid f AK 400mm Q08	1 pcs	119
AKM400306R12	service outlet lid f AK 400mm R12	1 pcs	118
AKU1500401	on-floor trunking base one-sided 150x40	24 M	110
AKU1500402	on-floor trunking base two-sided 150x40	24 M	114
AKU1500701	on-floor trunking base one-sided 150x70	24 M	112
AKU1500702	on-floor trunking base two-sided 150x70	24 M	116
AKU2000401	on-floor trunking base one-sided 200x40	24 M	110
AKU2000402	on-floor trunking base two-sided 200x40	24 M	114
AKU2000701	on-floor trunking base one-sided 200x70	24 M	112
AKU2000702	on-floor trunking base two-sided 200x70	24 M	116
AKU2500401	on-floor trunking base one-sided 250x40	24 M	110
AKU2500402	on-floor trunking base two-sided 250x40	24 M	114
AKU2500701	on-floor trunking base one-sided 250x70	24 M	112
AKU2500702	on-floor trunking base two-sided 250x70	24 M	116
AKU3000401	on-floor trunking base one-sided 300x40	24 M	110
AKU3000402	on-floor trunking base two-sided 300x40	24 M	114
AKU3000701	on-floor trunking base one-sided 300x70	24 M	112
AKU3000702	on-floor trunking base two-sided 300x70	24 M	116
AKU3500701	on-floor trunking base one-sided 350x70	24 M	112
AKU3500702	on-floor trunking base two-sided 350x70	24 M	116
AKU4000701	on-floor trunking base one-sided 400x70	24 M	112
AKU4000702	on-floor trunking base two-sided 400x70	24 M	116

Order number	Product description	PU	Page
AKZKV090	trunking connector AK angled 90°	1 pcs	121
AKZKV180	trunking connector AK straight 180°	1 pcs	121
AKZSA0135	protective connector f earthing of AK	1 pcs	120
AKZSP0100	side profile f on-floor trunking 100mm	1 pcs	120
AKZSP2400	side profile f on-floor trunking 2400mm	24 M	120
<b>B</b>			
BDE04057011	blind cover E04 f 5mm flooring sg	1 pcs	178
BDE04059005	blind cover E04 f 5mm flooring db	1 pcs	178
BDE04087011	blind cover E04 f 12mm flooring sg	1 pcs	178
BDE04089005	blind cover E04 f 12mm flooring db	1 pcs	178
BDQ08057011	blind cover Q08 f 5mm flooring sg	1 pcs	178
BDQ08059005	blind cover Q08 f 5mm flooring db	1 pcs	178
BDQ08127011	blind cover Q08 f 12mm flooring sg	1 pcs	178
BDQ08129005	blind cover Q08 f 12mm flooring db	1 pcs	178
BKA150800	cover for BKF/BKW150 length 800 mm	1 pcs	66
BKA150800GBZ	cover for BKF/BKW150 length 800 mm GBZ	1 pcs	66
BKA200800	cover for BKF/BKW200 length 800 mm	1 pcs	66
BKA200800GBZ	cover for BKF/BKW200 length 800 mm GBZ	1 pcs	66
BKA250800	cover for BKF/BKW250 length 800 mm	1 pcs	66
BKA250800E04	cover for BKF/BKW250 length 800 mm E04	1 pcs	67
BKA250800GBZ	cover for BKF/BKW250 length 800 mm GBZ	1 pcs	66
BKA300800	cover for BKF/BKW300 length 800 mm	1 pcs	66
BKA300800E04	cover for BKF/BKW300 length 800 mm E04	1 pcs	67
BKA300800E09	cover for BKF/BKW300 length 800 mm E09	1 pcs	67
BKA300800GBZ	cover for BKF/BKW300 length 800 mm GBZ	1 pcs	66
BKA300800Q06	cover for BKF/BKW300 length 800 mm Q06	1 pcs	67
BKA300800R06	cover for BKF/BKW300 length 800 mm R06	1 pcs	66
BKA350800	cover for BKF/BKW350 length 800 mm	1 pcs	66
BKA350800E04	cover for BKF/BKW350 length 800 mm E04	1 pcs	67
BKA350800E09	cover for BKF/BKW350 length 800 mm E09	1 pcs	67
BKA350800GBZ	cover for BKF/BKW350 length 800 mm GBZ	1 pcs	66
BKA350800Q06	cover for BKF/BKW350 length 800 mm Q06	1 pcs	67
BKA350800Q12	cover for BKF/BKW350 length 800 mm Q12	1 pcs	67
BKA350800R06	cover for BKF/BKW350 length 800 mm R06	1 pcs	66
BKA350800R10	cover for BKF/BKW350 length 800 mm R10	1 pcs	66
BKA350800R2	Cover R2 round 242mm for BKF/BKW 350x800	1 pcs	66
BKA400800	cover for BKF/BKW400 length 800 mm	1 pcs	66
BKA400800E04	cover for BKF/BKW400 length 800 mm E04	1 pcs	67
BKA400800E09	cover for BKF/BKW400 length 800 mm E09	1 pcs	67
BKA400800GBZ	cover for BKF/BKW400 length 800 mm GBZ	1 pcs	66
BKA400800Q06	cover for BKF/BKW400 length 800 mm Q06	1 pcs	67
BKA400800Q08	cover for BKF/BKW400 length 800 mm Q08	1 pcs	67
BKA400800Q12	cover for BKF/BKW400 length 800 mm Q12	1 pcs	67
BKA400800R06	cover for BKF/BKW400 length 800 mm R06	1 pcs	66
BKA400800R10	cover for BKF/BKW400 length 800 mm R10	1 pcs	66
BKA400800R12	cover for BKF/BKW400 length 800 mm R12	1 pcs	66
BKA400800R2	Cover R2 round 242mm for BKF/BKW 400x800	1 pcs	66
BKA500800	cover for BKF/BKW500 length 800 mm	1 pcs	66
BKA500800E04	cover for BKF/BKW500 length 800 mm E04	1 pcs	67
BKA500800E09	cover for BKF/BKW500 length 800 mm E09	1 pcs	67
BKA500800GBZ	cover for BKF/BKW500 length 800 mm GBZ	1 pcs	66
BKA500800Q06	cover for BKF/BKW500 length 800 mm Q06	1 pcs	67
BKA500800Q08	cover for BKF/BKW500 length 800 mm Q08	1 pcs	67
BKA500800Q12	cover for BKF/BKW500 length 800 mm Q12	1 pcs	67
BKA500800R06	cover for BKF/BKW500 length 800 mm R06	1 pcs	66
BKA500800R10	cover for BKF/BKW500 length 800 mm R10	1 pcs	66
BKA500800R12	cover for BKF/BKW500 length 800 mm R12	1 pcs	66
BKA500800R2	Cover R2 round 242mm for BKF/BKW 500x800	1 pcs	66
BKA600800	cover for BKF/BKW600 length 800 mm	1 pcs	66
BKA600800E04	cover for BKF/BKW600 length 800 mm E04	1 pcs	67
BKA600800E09	cover for BKF/BKW600 length 800 mm E09	1 pcs	67
BKA600800GBZ	cover for BKF/BKW600 length 800 mm GBZ	1 pcs	66
BKA600800Q06	cover for BKF/BKW600 length 800 mm Q06	1 pcs	67
BKA600800Q08	cover for BKF/BKW600 length 800 mm Q08	1 pcs	67
BKA600800Q12	cover for BKF/BKW600 length 800 mm Q12	1 pcs	67
BKA600800R06	cover for BKF/BKW600 length 800 mm R06	1 pcs	66
BKA600800R10	cover for BKF/BKW600 length 800 mm R10	1 pcs	66
BKA600800R12	cover for BKF/BKW600 length 800 mm R12	1 pcs	66
BKA600800R2	Cover R2 round 242mm for BKF/BKW 600x800	1 pcs	66
BKAD150	cover for BKFD/BKWD150 length 800 mm	1 pcs	74
BKAD150GBZ	cover for BKFD/BKWD150 length 800 mm GBZ	1 pcs	74
BKAD200	cover for BKFD/BKWD200 length 800 mm	1 pcs	74
BKAD200GBZ	cover for BKFD/BKWD200 length 800 mm GBZ	1 pcs	74
BKAD250	cover for BKFD/BKWD250 length 800 mm	1 pcs	74
BKAD250GBZ	cover for BKFD/BKWD250 length 800 mm GBZ	1 pcs	74
BKAD300	cover for BKFD/BKWD300 length 800 mm	1 pcs	74
BKAD300GBZ	cover for BKFD/BKWD300 length 800 mm GBZ	1 pcs	74
BKAD350	cover for BKFD/BKWD350 length 800 mm	1 pcs	74
BKAD350R06	Cover R2 round 242mm for BKF/BKW 350x800	1 pcs	74
BKAD350GBZ	cover for BKFD/BKWD350 length 800 mm GBZ	1 pcs	74
BKAD400	cover for BKFD/BKWD400 length 800 mm	1 pcs	74
BKAD400R06	Cover R2 round 242mm for BKF/BKW 400x800	1 pcs	74
BKAD400GBZ	cover for BKFD/BKWD400 length 800 mm GBZ	1 pcs	74
BKAD400R12	cover for BKFD/BKWD400 length 800 mm R12	1 pcs	74
BKAD500	cover for BKFD/BKWD500 length 800 mm	1 pcs	74
BKAD500R06	Cover R2 round 242mm for BKF/BKW 500x800	1 pcs	74
BKAD500GBZ	cover for BKFD/BKWD500 length 800 mm GBZ	1 pcs	74
BKAD500R12	cover for BKFD/BKWD500 length 800 mm R12	1 pcs	74
BKAD600	cover for BKFD/BKWD600 length 800 mm	1 pcs	74
BKAD600R06	Cover R2 round 242mm for BKF/BKW 600x800	1 pcs	74
BKAD600GBZ	cover for BKFD/BKWD600 length 800 mm GBZ	1 pcs	74
BKAD600R12	cover for BKFD/BKWD600 length 800 mm R12	1 pcs	74
BKB250851	BKB 25085 trunking base	2 M	51
BKB250852B	BKB 25085 Lid with Brush	2 M	51
BKB250852BLED	BKB 25085 Lid with Brush and LED	2 M	51
BKB250852G	BKB 25085 Closed Surface Lid	2 M	51

Order number	Product description	PU	Page
BKB2508551	BKB 25085 Flat-Angle Base, Int/Ext.	1 pcs	52
BKB2508553B	BKB 25085 Flat-Angle Lid, Ext., Brush	1 pcs	52
BKB2508553BLED	BKB 25085 Flat-Angle Lid, Ext.,Brush/LED	1 pcs	52
BKB2508554B	BKB 25085 Flat-Angle Lid, Int., Brush	1 pcs	52
BKB2508554BLED	BKB 25085 Flat-Angle Lid, Int.,Brush/LED	1 pcs	52
BKB2508554G	BKB 25085 Closed Surface Lid f. FL.Angle	1 pcs	52
BKB250856	BKB 85250 endcap	1 pcs	53
BKB250857	BKB 85250 coupling	1 SET	53
BKB250858T	T- Piece of adaptorrns BKB25085	1 SET	53
BKBGTR910	BKB Support for Eccoline Socket Outlets	1 pcs	53
BKBGTR911	BKB Support for VDI	1 pcs	53
BKBGTR922	BKB Support for Elect.,2-gang S.Outlets	1 pcs	53
BKBGTR923	BKB Support for Elect.,3-gang S.Outlets	1 pcs	53
BKBNS120	Nivellierset to BKB 145-210	1 SET	54
BKBNS60	BKB Set height. comp. screws M8x60 mm	1 SET	54
BKBNSD120	Nivellierset with damping BKB 145-210	1 SET	54
BKBNSD60	BKB Set hgt. comp.damp. screws M8x60 mm	1 SET	54
BKF150045	floor duct w. foil 150 45-70 dry care	24 M	62
BKF150065	floor duct w. foil 150 65-110 dry care	24 M	62
BKF150105	floor duct w. foil 150 105-150 dry care	24 M	62
BKF150145	floor duct w. foil 150 145-190 dry care	24 M	62
BKF200045	floor duct w. foil 200 45-70 dry care	24 M	62
BKF200065	floor duct w. foil 200 65-110 dry care	24 M	62
BKF200105	floor duct w. foil 200 105-150 dry care	24 M	62
BKF200145	floor duct w. foil 200 145-190 dry care	24 M	62
BKF250045	floor duct w. foil 250 45-70 dry care	24 M	62
BKF250065	floor duct w. foil 250 65-110 dry care	24 M	62
BKF250105	floor duct w. foil 250 105-150 dry care	24 M	62
BKF250145	floor duct w. foil 250 145-190 dry care	24 M	62
BKF300045	floor duct w. foil 300 45-70 dry care	24 M	62
BKF300065	floor duct w. foil 300 65-110 dry care	24 M	62
BKF300105	floor duct w. foil 300 105-150 dry care	24 M	62
BKF300145	floor duct w. foil 300 145-190 dry care	24 M	62
BKF350045	floor duct w. foil 350 45-70 dry care	24 M	62
BKF350065	floor duct w. foil 350 65-110 dry care	24 M	62
BKF350105	floor duct w. foil 350 105-150 dry care	24 M	62
BKF350145	floor duct w. foil 350 145-190 dry care	24 M	62
BKF400045	floor duct w. foil 400 45-70 dry care	24 M	62
BKF400065	floor duct w. foil 400 65-110 dry care	24 M	62
BKF400105	floor duct w. foil 400 105-150 dry care	24 M	62
BKF400145	floor duct w. foil 400 145-190 dry care	24 M	62
BKF500045	floor duct w. foil 500 45-70 dry care	24 M	62
BKF500065	floor duct w. foil 500 65-110 dry care	24 M	62
BKF500105	floor duct w. foil 500 105-150 dry care	24 M	62
BKF500145	floor duct w. foil 500 145-190 dry care	24 M	62
BKF600045	floor duct w. foil 600 45-70 dry care	24 M	62
BKF600065	floor duct w. foil 600 65-110 dry care	24 M	62
BKF600105	floor duct w. foil 600 105-150 dry care	24 M	62
BKF600145	floor duct w. foil 600 145-190 dry care	24 M	62
BKFD150045	floor duct w foil 150 45-70 f sealing	24 M	70
BKFD150065	floor duct w foil 150 65-110 f sealing	24 M	70
BKFD150105	floor duct w foil 150 105-150 f sealing	24 M	70
BKFD150145	floor duct w foil 150 145-190 f sealing	24 M	70
BKFD200045	floor duct w foil 200 45-70 f sealing	24 M	70
BKFD200065	floor duct w foil 200 65-110 f sealing	24 M	70
BKFD200105	floor duct w foil 200 105-150 f sealing	24 M	70
BKFD200145	floor duct w foil 200 145-190 f sealing	24 M	70
BKFD250045	floor duct w foil 250 45-70 f sealing	24 M	70
BKFD250065	floor duct w foil 250 65-110 f sealing	24 M	70
BKFD250105	floor duct w foil 250 105-150 f sealing	24 M	70
BKFD250145	floor duct w foil 250 145-190 f sealing	24 M	70
BKFD300045	floor duct w foil 300 45-70 f sealing	24 M	70
BKFD300065	floor duct w foil 300 65-110 f sealing	24 M	70
BKFD300105	floor duct w foil 300 105-150 f sealing	24 M	70
BKFD300145	floor duct w foil 300 145-190 f sealing	24 M	70
BKFD350045	floor duct w foil 350 45-70 f sealing	24 M	70
BKFD350065	floor duct w foil 350 65-110 f sealing	24 M	70
BKFD350105	floor duct w foil 350 105-150 f sealing	24 M	70
BKFD350145	floor duct w foil 350 145-190 f sealing	24 M	70
BKFD400045	floor duct w foil 400 45-70 f sealing	24 M	70
BKFD400065	floor duct w foil 400 65-110 f sealing	24 M	70
BKFD400105	floor duct w foil 400 105-150 f sealing	24 M	70
BKFD400145	floor duct w foil 400 145-190 f sealing	24 M	70
BKFD500045	floor duct w foil 500 45-70 f sealing	24 M	70
BKFD500065	floor duct w foil 500 65-110 f sealing	24 M	70
BKFD500105	floor duct w foil 500 105-150 f sealing	24 M	70
BKFD500145	floor duct w foil 500 145-190 f sealing	24 M	70
BKFD600045	floor duct w foil 600 45-70 f sealing	24 M	70
BKFD600065	floor duct w foil 600 65-110 f sealing	24 M	70
BKFD600105	floor duct w foil 600 105-150 f sealing	24 M	70
BKFD600145	floor duct w foil 600 145-190 f sealing	24 M	70
BKFDE150045	endcap f BKFDE150045 w foil f sealing	1 pcs	71
BKFDE150065	endcap f BKFDE150065 w foil f sealing	1 pcs	71
BKFDE150105	endcap f BKFDE150105 w foil f sealing	1 pcs	71
BKFDE150145	endcap f BKFDE150145 w foil f sealing	1 pcs	71
BKFDE200045	endcap f BKFDE200045 w foil f sealing	1 pcs	71
BKFDE200065	endcap f BKFDE200065 w foil f sealing	1 pcs	71
BKFDE200105	endcap f BKFDE200105 w foil f sealing	1 pcs	71
BKFDE200145	endcap f BKFDE200145 w foil f sealing	1 pcs	71
BKFDE250045	endcap f BKFDE250045 w foil f sealing	1 pcs	71
BKFDE250065	endcap f BKFDE250065 w foil f sealing	1 pcs	71
BKFDE250105	endcap f BKFDE250105 w foil f sealing	1 pcs	71
BKFDE250145	endcap f BKFDE250145 w foil f sealing	1 pcs	71
BKFDE300045	endcap f BKFDE300045 w foil f sealing	1 pcs	71
BKFDE300065	endcap f BKFDE300065 w foil f sealing	1 pcs	71
BKFDE300105	endcap f BKFDE300105 w foil f sealing	1 pcs	71
BKFDE300145	endcap f BKFDE300145 w foil f sealing	1 pcs	71

Order number	Product description	PU	Page
BKFDE350045	endcap f BKFDE350045 w foil f sealing	1 pcs	71
BKFDE350065	endcap f BKFDE350065 w foil f sealing	1 pcs	71
BKFDE350105	endcap f BKFDE350105 w foil f sealing	1 pcs	71
BKFDE350145	endcap f BKFDE350145 w foil f sealing	1 pcs	71
BKFDE400045	endcap f BKFDE400045 w foil f sealing	1 pcs	71
BKFDE400065	endcap f BKFDE400065 w foil f sealing	1 pcs	71
BKFDE400105	endcap f BKFDE400105 w foil f sealing	1 pcs	71
BKFDE400145	endcap f BKFDE400145 w foil f sealing	1 pcs	71
BKFDE500045	endcap f BKFDE500045 w foil f sealing	1 pcs	71
BKFDE500065	endcap f BKFDE500065 w foil f sealing	1 pcs	71
BKFDE500105	endcap f BKFDE500105 w foil f sealing	1 pcs	71
BKFDE500145	endcap f BKFDE500145 w foil f sealing	1 pcs	71
BKFDE600045	endcap f BKFDE600045 w foil f sealing	1 pcs	71
BKFDE600065	endcap f BKFDE600065 w foil f sealing	1 pcs	71
BKFDE600105	endcap f BKFDE600105 w foil f sealing	1 pcs	71
BKFDE600145	endcap f BKFDE600145 w foil f sealing	1 pcs	71
BKFBV150	closure piece for BKF150 foil dry care	1 pcs	63
BKFBV200	closure piece for BKF200 foil dry care	1 pcs	63
BKFBV250	closure piece for BKF250 foil dry care	1 pcs	63
BKFBV300	closure piece for BKF300 foil dry care	1 pcs	63
BKFBV350	closure piece for BKF350 foil dry care	1 pcs	63
BKFBV400	closure piece for BKF400 foil dry care	1 pcs	63
BKFBV500	closure piece for BKF500 foil dry care	1 pcs	63
BKFBV600	closure piece for BKF600 foil dry care	1 pcs	63
BKSAB00	lateral junction box for BK blind cover	1 pcs	76
BKSAE04	lateral junction box for BK E04 punching	1 pcs	76
BKSAE09	lateral junction box for BK E09 punching	1 pcs	76
BKSA000	lateral junction box for BK GBZ punching	1 pcs	76
BKSAN045070	levelling set f BKSA range 45-70mm	1 SET	76
BKSAN065110	levelling set f BKSA range 65-110mm	1 SET	76
BKSAN105150	levelling set f BKSA range 105-150mm	1 SET	76
BKSAN145190	levelling set f BKSA range 145-190mm	1 SET	76
BKSAQ06	lateral junction box for BK Q06 punching	1 pcs	76
BKSAQ08	lateral junction box for BK Q08 punching	1 pcs	76
BKSAQ12	lateral junction box for BK Q12 punching	1 pcs	76
BKSAR06	lateral junction box for BK R06 punching	1 pcs	76
BKSAR10	lateral junction box for BK R10 punching	1 pcs	76
BKSAR12	lateral junction box for BK R12 punching	1 pcs	76
BKTD150	cross member f BKFD/BKWD150 f sealing	1 pcs	75
BKTD200	cross member f BKFD/BKWD200 f sealing	1 pcs	75
BKTD250	cross member f BKFD/BKWD250 f sealing	1 pcs	75
BKTD300	cross member f BKFD/BKWD300 f sealing	1 pcs	75
BKTD350	cross member f BKFD/BKWD350 f sealing	1 pcs	75
BKTM250	cross memb f c supp BKFD/BKWD250 f seal	1 pcs	75
BKTM300	cross memb f c supp BKFD/BKWD300 f seal	1 pcs	75
BKTM350	cross memb f c supp BKFD/BKWD350 f seal	1 pcs	75
BKTM400	cross memb f c supp BKFD/BKWD400 f seal	1 pcs	75
BKTM500	cross memb f c supp BKFD/BKWD500 f seal	1 pcs	75
BKTM600	cross memb f c supp BKFD/BKWD600 f seal	1 pcs	75
BKTMN250	cross member f centr supp BKF/BKW250 dry	1 pcs	68
BKTMN300	cross member f centr supp BKF/BKW300 dry	1 pcs	68
BKTMN350	cross member f centr supp BKF/BKW350 dry	1 pcs	68
BKTMN400	cross member f centr supp BKF/BKW400 dry	1 pcs	68
BKTMN500	cross member f centr supp BKF/BKW500 dry	1 pcs	68
BKTMN600	cross member f centr supp BKF/BKW600 dry	1 pcs	68
BKTN150	cross member f BKF/BKW150 dry care	1 pcs	68
BKTN200	cross member f BKF/BKW200 dry care	1 pcs	68
BKTN250	cross member f BKF/BKW250 dry care	1 pcs	68
BKTN300	cross member f BKF/BKW300 dry care	1 pcs	68
BKTN350	cross member f BKF/BKW350 dry care	1 pcs	68
BKTF000	partition stand f PVC-partition, PVC	1 pcs	77
BKTWK16	partition height 16mm l=2000mm PVC	1 M	77
BKTWK31	partition height 31mm l=2000mm PVC	1 M	77
BKTWK46	partition height 46mm l=2000mm PVC	1 M	77
BKTWK61	partition height 61mm l=2000mm PVC	1 M	77
BKTWK76	partition height 76mm l=2000mm PVC	1 M	77
BKTWK91	partition height 91mm l=2000mm PVC	1 M	77
BKTWS110	partition height 110mm l=2400mm steel	1 M	77
BKTWS20	partition height 20mm l=2400mm steel	1 M	77
BKTWS35	partition height 35mm l=2400mm steel	1 M	77
BKTWS50	partition height 50mm l=2400mm steel	1 M	77
BKTWS65	partition height 65mm l=2400mm steel	1 M	77
BKTWS80	partition height 80mm l=2400mm steel	1 M	77
BKTWS95	partition height 95mm l=2400mm steel	1 M	77
BKW150040	floor duct w. trough 150 40-60 dry care	24 M	64
BKW150050	floor duct w. trough 150 50-70 dry care	24 M	64
BKW150060	floor duct w. trough 150 60-100 dry care	24 M	64
BKW150070	floor duct w. trough 150 70-110 dry care	24 M	64
BKW200060	floor duct w. trough 200 60-100 dry care	24 M	64
BKW200070	floor duct w. trough 200 70-110 dry care	24 M	64
BKW200080	floor duct w. trough 200 80-120 dry care	24 M	64
BKW200090	floor duct w. trough 200 90-130 dry care	24 M	64
BKW250060	floor duct w. trough 250 60-100 dry care	24 M	64
BKW250070	floor duct w. trough 250 70-110 dry care	24 M	64
BKW250080	floor duct w. trough 250 80-120 dry care	24 M	64
BKW250090	floor duct w. trough 250 90-130 dry care	24 M	64
BKW300060	floor duct w. trough 300 60-100 dry care	24 M	64
BKW300070	floor duct w. trough 300 70-110 dry care	24 M	64
BKW300080	floor duct w. trough 300 80-120 dry care	24 M	64
BKW300090	floor duct w. trough 300 90-130 dry care	24 M	64
BKW350060	floor duct w. trough 350 60-100 dry care	24 M	64
BKW350070	floor duct w. trough 350 70-110 dry care	24 M	64
BKW350080	floor duct w. trough 350 80-120 dry care	24 M	64
BKW350090	floor duct w. trough 350 90-130 dry care	24 M	64
BKW400060	floor duct w. trough 400 60-100 dry care	24 M	64
BKW400070	floor duct w. trough 400 70-110 dry care	24 M	64
BKW400080	floor duct w. trough 400 80-120 dry care	24 M	64

Order number	Product description	PU	Page
BKW400090	floor duct w. trough 400 90-130 dry care	24 M	64
BKW500060	floor duct w. trough 500 60-100 dry care	24 M	64
BKW500070	floor duct w. trough 500 70-110 dry care	24 M	64
BKW500080	floor duct w. trough 500 80-120 dry care	24 M	64
BKW500090	floor duct w. trough 500 90-130 dry care	24 M	64
BKW600060	floor duct w. trough 600 60-100 dry care	24 M	64
BKW600070	floor duct w. trough 600 70-110 dry care	24 M	64
BKW600080	floor duct w. trough 600 80-120 dry care	24 M	64
BKW600090	floor duct w. trough 600 90-130 dry care	24 M	64
BKWD150040	floor duct trough 150 40-60 f sealing	24 M	72
BKWD150050	floor duct trough 150 50-70 f sealing	24 M	72
BKWD150060	floor duct trough 150 60-100 f sealing	24 M	72
BKWD200060	floor duct trough 200 60-100 f sealing	24 M	72
BKWD200070	floor duct trough 200 70-110 f sealing	24 M	72
BKWD200080	floor duct trough 200 80-120 f sealing	24 M	72
BKWD200090	floor duct trough 200 90-130 f sealing	24 M	72
BKWD250060	floor duct trough 250 60-100 f sealing	24 M	72
BKWD250070	floor duct trough 250 70-110 f sealing	24 M	72
BKWD250080	floor duct trough 250 80-120 f sealing	24 M	72
BKWD250090	floor duct trough 250 90-130 f sealing	24 M	72
BKWD300060	floor duct trough 300 60-100 f sealing	24 M	72
BKWD300070	floor duct trough 300 70-110 f sealing	24 M	72
BKWD300080	floor duct trough 300 80-120 f sealing	24 M	72
BKWD300090	floor duct trough 300 90-130 f sealing	24 M	72
BKWD350060	floor duct trough 350 60-100 f sealing	24 M	72
BKWD350070	floor duct trough 350 70-110 f sealing	24 M	72
BKWD350080	floor duct trough 350 80-120 f sealing	24 M	72
BKWD350090	floor duct trough 350 90-130 f sealing	24 M	72
BKWD400060	floor duct trough 400 60-100 f sealing	24 M	72
BKWD400070	floor duct trough 400 70-110 f sealing	24 M	72
BKWD400080	floor duct trough 400 80-120 f sealing	24 M	72
BKWD400090	floor duct trough 400 90-130 f sealing	24 M	72
BKWD500060	floor duct trough 500 60-100 f sealing	24 M	72
BKWD500070	floor duct trough 500 70-110 f sealing	24 M	72
BKWD500080	floor duct trough 500 80-120 f sealing	24 M	72
BKWD500090	floor duct trough 500 90-130 f sealing	24 M	72
BKWD600060	floor duct trough 600 60-100 f sealing	24 M	72
BKWD600070	floor duct trough 600 70-110 f sealing	24 M	72
BKWD600080	floor duct trough 600 80-120 f sealing	24 M	72
BKWD600090	floor duct trough 600 90-130 f sealing	24 M	72
BKWDE150040	endcap f BKWD150040 w trough f sealing	1 pcs	73
BKWDE150050	endcap f BKWD150050 w trough f sealing	1 pcs	73
BKWDE150060	endcap f BKWD150060 w trough f sealing	1 pcs	73
BKWDE200060	endcap f BKWD200060 w trough f sealing	1 pcs	73
BKWDE200070	endcap f BKWD200070 w trough f sealing	1 pcs	73
BKWDE200080	endcap f BKWD200080 w trough f sealing	1 pcs	73
BKWDE200090	endcap f BKWD200090 w trough f sealing	1 pcs	73
BKWDE250060	endcap f BKWD250060 w trough f sealing	1 pcs	73
BKWDE250070	endcap f BKWD250070 w trough f sealing	1 pcs	73
BKWDE250080	endcap f BKWD250080 w trough f sealing	1 pcs	73
BKWDE250090	endcap f BKWD250090 w trough f sealing	1 pcs	73
BKWDE300060	endcap f BKWD300060 w trough f sealing	1 pcs	73
BKWDE300070	endcap f BKWD300070 w trough f sealing	1 pcs	73
BKWDE300080	endcap f BKWD300080 w trough f sealing	1 pcs	73
BKWDE300090	endcap f BKWD300090 w trough f sealing	1 pcs	73
BKWDE350060	endcap f BKWD350060 w trough f sealing	1 pcs	73
BKWDE350070	endcap f BKWD350070 w trough f sealing	1 pcs	73
BKWDE350080	endcap f BKWD350080 w trough f sealing	1 pcs	73
BKWDE350090	endcap f BKWD350090 w trough f sealing	1 pcs	73
BKWDE400060	endcap f BKWD400060 w trough f sealing	1 pcs	73
BKWDE400070	endcap f BKWD400070 w trough f sealing	1 pcs	73
BKWDE400080	endcap f BKWD400080 w trough f sealing	1 pcs	73
BKWDE400090	endcap f BKWD400090 w trough f sealing	1 pcs	73
BKWDE500060	endcap f BKWD500060 w trough f sealing	1 pcs	73
BKWDE500070	endcap f BKWD500070 w trough f sealing	1 pcs	73
BKWDE500080	endcap f BKWD500080 w trough f sealing	1 pcs	73
BKWDE500090	endcap f BKWD500090 w trough f sealing	1 pcs	73
BKWDE600060	endcap f BKWD600060 w trough f sealing	1 pcs	73
BKWDE600070	endcap f BKWD600070 w trough f sealing	1 pcs	73
BKWDE600080	endcap f BKWD600080 w trough f sealing	1 pcs	73
BKWDE600090	endcap f BKWD600090 w trough f sealing	1 pcs	73
BKWE150040	endcap for BKW150040 w. tough dry care	1 pcs	65
BKWE150050	endcap for BKW150050 w. tough dry care	1 pcs	65
BKWE150060	endcap for BKW150060 w. tough dry care	1 pcs	65
BKWE150070	endcap for BKW150070 w. tough dry care	1 pcs	65
BKWE200060	endcap for BKW200060 w. tough dry care	1 pcs	65
BKWE200070	endcap for BKW200070 w. tough dry care	1 pcs	65
BKWE200080	endcap for BKW200080 w. tough dry care	1 pcs	65
BKWE200090	endcap for BKW200090 w. tough dry care	1 pcs	65
BKWE250060	endcap for BKW250060 w. tough dry care	1 pcs	65
BKWE250070	endcap for BKW250070 w. tough dry care	1 pcs	65
BKWE250080	endcap for BKW250080 w. tough dry care	1 pcs	65
BKWE250090	endcap for BKW250090 w. tough dry care	1 pcs	65
BKWE300060	endcap for BKW300060 w. tough dry care	1 pcs	65
BKWE300070	endcap for BKW300070 w. tough dry care	1 pcs	65
BKWE300080	endcap for BKW300080 w. tough dry care	1 pcs	65
BKWE300090	endcap for BKW300090 w. tough dry care	1 pcs	65
BKWE350060	endcap for BKW350060 w. tough dry care	1 pcs	65
BKWE350070	endcap for BKW350070 w. tough dry care	1 pcs	65
BKWE350080	endcap for BKW350080 w. tough dry care	1 pcs	65
BKWE350090	endcap for BKW350090 w. tough dry care	1 pcs	65
BKWE400060	endcap for BKW400060 w. tough dry care	1 pcs	65
BKWE400070	endcap for BKW400070 w. tough dry care	1 pcs	65
BKWE400080	endcap for BKW400080 w. tough dry care	1 pcs	65
BKWE400090	endcap for BKW400090 w. tough dry care	1 pcs	65
BKWE500060	endcap for BKW500060 w. tough dry care	1 pcs	65
BKWE500070	endcap for BKW500070 w. tough dry care	1 pcs	65

Order number	Product description	PU	Page
BKWE500080	endcap for BKW500060 w. tough dry care	1 pcs	65
BKWE500090	endcap for BKW500070 w. tough dry care	1 pcs	65
BKWE600060	endcap for BKW600040 w. tough dry care	1 pcs	65
BKWE600070	endcap for BKW600050 w. tough dry care	1 pcs	65
BKWE600080	endcap for BKW600060 w. tough dry care	1 pcs	65
BKWE600090	endcap for BKW600070 w. tough dry care	1 pcs	65
BKZBSA7011	covering butt cover PVC iron grey	1 M	79
BKZBSK7011	covering butt edge ht 4mm PVC iron grey	1 M	78
BKZBSK9005	covering butt edge ht 4mm PVC deep black	1 M	78
BKZEA00	screed anchor plastic	1 pcs	79
BKZHP00	retaining tab with muffler bearing	1 pcs	81
BKZH210	stapler for close the foil with clips	1 pcs	82
BKZH212	Clips 12mm for stapler BKZHR10	1 pcs	82
BKZKH30	claw lifter f blind lid max 30 kg	1 pcs	82
BKZKM80	counternut M8 f accomod. of set screws	1 pcs	81
BKZKV090	trunking connector BK angled 90° steel	1 pcs	80
BKZKV180	trunking connector BK straight 180° st	1 pcs	80
BKZM203	cellular rubber strip 20x3mm self-adh.	1 pcs	78
BKZN030	levelling clamp f trunking height 30	1 pcs	80
BKZN050	levelling clamp f trunking height 50	1 pcs	80
BKZNS100	set screw M8x100 levelling height 100mm	1 pcs	81
BKZNS120	set screw M8x120 levelling height 120mm	1 pcs	81
BKZNS140	set screw M8x140 levelling height 140mm	1 pcs	81
BKZNS160	set screw M8x160 levelling height 160mm	1 pcs	81
BKZNS25	set screw M8x25 levelling height 25mm	1 pcs	81
BKZNS30	set screw M8x30 levelling height 30mm	1 pcs	81
BKZNS35	set screw M8x35 levelling height 35mm	1 pcs	81
BKZNS40	set screw M8x40 levelling height 40mm	1 pcs	81
BKZNS45	set screw M8x45 levelling height 45mm	1 pcs	81
BKZNS50	set screw M8x50 levelling height 50mm	1 pcs	81
BKZNS55	set screw M8x55 levelling height 55mm	1 pcs	81
BKZNS60	set screw M8x60 levelling height 60mm	1 pcs	81
BKZNS65	set screw M8x65 levelling height 65mm	1 pcs	81
BKZNS70	set screw M8x70 levelling height 70mm	1 pcs	81
BKZNS75	set screw M8x75 levelling height 75mm	1 pcs	81
BKZNS80	set screw M8x80 levelling height 80mm	1 pcs	81
BKZNS85	set screw M8x85 levelling height 85mm	1 pcs	81
BKZNS90	set screw M8x90 levelling height 90mm	1 pcs	81
BKZNSD0	muffler bearing for accom. of set screws	1 pcs	82
BKZSA200	protective conductor f BK screw connect	1 pcs	78
BKZSAK00	protective conductor f BK w conn clamp	1 pcs	78
BKZSH20	suction lifter f blind lid max 20 kg	1 pcs	82
BKZSH30	suction lifter f blind lid max 30 kg	1 pcs	82
BKZVS90	connection set	1 pcs	79
BRAN700802ELN	Cover 80, alu, natural anodized	32 M	122
BS90D	fire protection foam can 900cm³	1 pcs	55
BS90F	fire protection fitting S90 150x80x100mm	1 pcs	55
BS90S	spray pipe for foam can 3 pieces	1 SET	55
BS90SET	fire protection foam set S90 ca. 2100cm³	1 SET	55
BS90Z	caulking gun for foam can BS90D	1 pcs	55
BSFRJ45R45B	floor socket outlet hgd 1-g + RJ45 bron	1 pcs	174
BSFRJ45R45E	floor socket outlet hgd 1-g + RJ45 st st	1 pcs	174
BSQRJ45R45B	floor socket outlet sq 1-g + RJ45 bron	1 pcs	174
BSQRJ45R45E	floor socket outlet sq 1-g + RJ45 st st	1 pcs	174
BSRRJ45R45B	floor socket outlet rd 1-g + RJ45 bron	1 pcs	174
BSRRJ45R45E	floor socket outlet rd 1-g + RJ45 st st	1 pcs	174
<b>D</b>			
DAP2806509010	PacPost 80 d, 650 mm, pure white	1 pcs	247
DAP280650ELN	PacPost 80 d,650 mm,Alu naturel anodized	1 pcs	247
DAP806509010	PacPost 80, 650 mm, pure white	1 pcs	247
DAP80650ELN	PacPost 80, 650 mm, Alu naturel anodized	1 pcs	247
DEP650D	Pacpost design equiped, Wago Cat6STP	1 pcs	248
DEPMD	Pre-equiped outlet box f. design pacpost	1 pcs	248
<b>E</b>			
ECEE165	CEE flange socket outlet str 16 A IP44	1 pcs	228
ECEE325	CEE flange socket outlet str 16 A IP44	1 pcs	228
EDSRJ45C6A	data module RJ45 cat.6a 1-g screened	1 pcs	224
EDURJ45C6A	data module RJ45 cat.6a 1-g unscreened	1 pcs	224
EKNS075	levelling set f stainl cass 100-150mm	1 SET	167
EKNS120	levelling set f stainl cass 145-195mm	1 SET	167
EKNS165	levelling set f stainl cass 190-240mm	1 SET	167
EKQ0600BL1	cassette stainless steel Q06 bl ht 28mm	1 pcs	165
EKQ0600BL2	cassette stainless steel Q06 bl ht 43mm	1 pcs	165
EKQ0600LE1	cassette stainless steel Q06 co ht 28mm	1 pcs	165
EKQ0600LE2	cassette stainless steel Q06 co ht 43mm	1 pcs	165
EKQ0600TM1	cassette stainless steel Q06 tm ht 28mm	1 pcs	165
EKQ0600TM2	cassette stainless steel Q06 tm ht 43mm	1 pcs	165
EKQ1200BL1	cassette stainless steel Q12 bl ht 28mm	1 pcs	165
EKQ1200BL2	cassette stainless steel Q12 bl ht 43mm	1 pcs	165
EKQ1200LE1	cassette stainless steel Q12 co ht 28mm	1 pcs	165
EKQ1200LE2	cassette stainless steel Q12 co ht 43mm	1 pcs	165
EKQ1200TM1	cassette stainless steel Q12 tm ht 28mm	1 pcs	165
EKQ1200TM2	cassette stainless steel Q12 tm ht 43mm	1 pcs	165
EKR0600BL1	cassette stainless steel R06 bl ht 28mm	1 pcs	166
EKR0600BL2	cassette stainless steel R06 bl ht 43mm	1 pcs	166
EKR0600LE1	cassette stainless steel R06 co ht 28mm	1 pcs	166
EKR0600LE2	cassette stainless steel R06 co ht 43mm	1 pcs	166
EKR0600TM1	cassette stainless steel R06 tm ht 28mm	1 pcs	166
EKR0600TM2	cassette stainless steel R06 tm ht 43mm	1 pcs	166
EKR1200BL1	cassette stainless steel R12 bl ht 28mm	1 pcs	166
EKR1200BL2	cassette stainless steel R12 bl ht 43mm	1 pcs	166
EKR1200LE1	cassette stainless steel R12 co ht 28mm	1 pcs	166
EKR1200LE2	cassette stainless steel R12 co ht 43mm	1 pcs	166
EKR1200TM1	cassette stainless steel R12 tm ht 28mm	1 pcs	166
EKR1200TM2	cassette stainless steel R12 tm ht 43mm	1 pcs	166

Order number	Product description	PU	Page
EKSNS070	levelling set f cassette 20kN 115-150mm	1 pcs	170
EKSNS100	levelling set f cassette 20kN 150-180mm	1 pcs	170
EKSNS120	levelling set f cassette 20kN 170-200mm	1 pcs	170
EKSQ0620BL	cassette stainless steel Q06 blind 20kN	1 pcs	169
EKSQ0620TM	cassette stainless steel Q06 TM 20kN	1 pcs	169
EKSQ1220BL	cassette stainless steel Q12 blind 20kN	1 pcs	168
EKSQ1220TM	cassette stainless steel Q12 TM 20kN	1 pcs	168
EKSQ405BL	cassette stainless steel Q405 blind 20kN	1 pcs	168
EKSQ405TM	cassette stainless steel Q405 TM 20kN	1 pcs	168
EKSR0620BL	cassette stainless steel R06 blind 20kN	1 pcs	169
EKSR0620TM	cassette stainless steel R06 TM 20kN	1 pcs	169
EKSR1220BL	cassette stainless steel R12 blind 20kN	1 pcs	169
EKSR1220TM	cassette stainless steel R12 TM 20kN	1 pcs	169
EMR019010	blind plate 1-g f Rastec 45 pw	2000 pcs	219
EMR029010	blind plate 2-g f Rastec 45 pw	1600 pcs	219
ESN19010	Schuko-socket outlet 2-pin pure white	1 pcs	172
ESR1332004	socket outlet 1-g Rastec 33° orange	20 pcs	221
ESR1336029	socket outlet 1-g Rastec 33° mint green	20 pcs	221
ESR1339010	socket outlet 1-g Rastec 33° pure white	20 pcs	221
ESR2332004	socket outlet 2-g Rastec 33° orange	1 pcs	221
ESR2336029	socket outlet 2-g Rastec 33° mint green	1 pcs	221
ESR2339010	socket outlet 2-g Rastec 33° pure white	1 pcs	221
ESR3332004	socket outlet 3-g Rastec 33° orange	1 pcs	221
ESR3336029	socket outlet 3-g Rastec 33° mint green	1 pcs	221
ESR3339010	socket outlet 3-g Rastec 33° pure white	1 pcs	221
EUS315	surge protection w 3 connecting lines	1 pcs	221
EUS615	surge protection w 6 connecting lines	1 pcs	221
<b>F</b>			
FK17011	flat chaine Polyamid length 1m sg	1 pcs	136
FK17035	Flex cable protect flat 20x83mm L=1m lg	1 pcs	136
FK19005	flat chaine Polyamid length 1m db	1 pcs	136
FKA7011	adaptor flat chain supply unit sg	700 pcs	136
FKA9005	adaptor flat chain supply unit db	700 pcs	136
FKB7011	floor distributor complete steel sg	1 pcs	136
FKB7035	Floor distrib cabelprotect onfl trunk lg	1 pcs	136
FKB9005	floor distributor complete steel db	1 pcs	136
FKH7011	floor fastening flat chain 0,5m steel db	1 pcs	137
FKH7035	Floor supp flex cableprot flat L=0,5m lg	1 pcs	137
FKH9005	floor fastening flat chain 0,5m steel sg	1 pcs	137
FKS7011	pace protection flat chain 1m steel sg	1 pcs	137
FKS7035	Cover for flex cable protector L=1m lg	1 pcs	137
FKS9005	pace protection flat chain 1m steel db	1 pcs	137
FKWB000	support flat chain with strain relief	1 pcs	137
<b>G</b>			
G4703	Input connector, 3 poles	25 pcs	250
G4713	Output connector, 3 poles	25 pcs	250
G4719	Wago connection wire 3x1,5mm² 300mm	10 pcs	250
G4721	Connection 1000mm, Schuko-angle-plug/sock	1 pcs	249
G4730	Wago connection wire 3x1,5mm² 450mm	10 pcs	250
G4731	Connection 2000mm, Schuko-angle-plug	20 pcs	249
G4732	Wago connection wire 3x1,5mm² 750mm	10 pcs	250
G4733	Supply cable, 3 poles, 300 mm	10 pcs	250
G4735	Wago connection line 3x1,5mm² L=1,5m	20 pcs	250
G4736	Wago connection wire 3x1,5mm² 2500mm	10 pcs	250
G4740	Wago connection wire 3x1,5mm², 4500mm	10 pcs	250
G4741	Connection 3000mm, Schuko-angle-plug	1 pcs	249
G4743	connection line Wago 3x2,5² L=0,45mm	10 pcs	250
G4745	Wago connection wire 3x1,5mm², 5000mm	10 pcs	250
G4746	Wago connection wire 3x1,5mm², 7500mm	5 pcs	250
G4749	Wago connection wire 3x1,5mm², 10000mm	5 pcs	250
G4750	Wago connection wire 3x1,5mm², 12500mm	10 pcs	250
G4751	Connection 4000mm, Schuko-angle-plug	1 pcs	249
G4753	connection line Wago 3x2,5² L=0,75m	10 pcs	250
G4761	Connection 5000mm, Schuko-angle-plug	1 pcs	249
G4762	Wago connection wire 3x2,5mm², 5000mm	10 pcs	250
G4764	Wago connection wire 3x2,5mm², 7500mm	5 pcs	250
G4773	H-distributor 1xplug 2xbuchs 3 pole Wago	10 pcs	250
G4790	Supply cable, 3p,halogen free,300mm	10 pcs	250
G4791	Supply cable, 3p,halogen free,450mm	10 pcs	250
G4792	Supply cable, 3p,halogen free,750mm	5 pcs	250
G4793	Supply cable, 3p,halogen free,1500mm	20 pcs	250
G4794	Supply cable, 3p,halogen free,2500mm	10 pcs	250
G4795	Supply cable, 3p,halogen free,4500mm	10 pcs	250
G4796	Connecting line Wago 3x2,5² L=1,5m	20 pcs	250
G4797	Connecting line Wago 3x2,5² L=2,5m	10 pcs	250
G4798	connection line Wago 3x2,5² L=4,5m	10 pcs	250
G7043LAN	pop-up unit, table m. 3s-o, lan	1 pcs	260
G7044LAN	liftable multisocket-outlet 2so 2xCat.6	1 pcs	260
G7045LAN	liftable multisocket-outlet 3so 2xCat.6	1 pcs	260
G7059	Keyhole saw, d = 102 mm	1 pcs	261
G7067ELN	connection unit eln, 3 socket-outlet	1 pcs	259
G7068ELN	connection unit eln, 1+4 s-o, 1 switch	1 pcs	259
G7069ELN	connection unit eln, 1+4 s-o, 1 switch	1 pcs	259
G7075SCHW	built-in outlet unit,tower m.,4s-o,black	1 pcs	251
G71357021	floor junction, compl., anth	1 pcs	122
G71357035	floor junction, complete, light grey	1 pcs	122
G71407021	floor function, cover plate, anth	1 pcs	122
G71407035	floor function, cover plate, light grey	1 pcs	122
G7150	connecting kit netway tower	1 pcs	249
G7170	cable collar (Velcro strip)	5 M	251
G8310	Patch cord Cat 7 RJ 45 1500 mm	1 pcs	261
G8311	Patch cord Cat 7 RJ 45 2500 mm	1 pcs	261
G8312	Patch cord Cat 7 RJ 45 5000 mm	1 pcs	261
G8317	Patch cord Cat 7 RJ 45 350 mm	1 pcs	261
GBES22004	device casing f KDQ08/E04 s outl 2g or	125 pcs	179

Order number	Product description	PU	Page
GBES23000	device casing f KDQ08/E04 s outl 2g re	125 pcs	179
GBES29010	device casing f KDQ08/E04 s outl 2g pw	125 pcs	179
GBM5050	device casing f KDQ08/E04 inst dev 50x50	1 pcs	179
GBMAR5045	adaptor frame Rastec-devices 50 to 45	1 pcs	179
GBMBV03T3	cover plate outlet box f 2 s-ring device	860 pcs	220
GBMBV23T1	cover plate outlet box f 1 s-ring device	1260 pcs	220
GBMBV23T2	cover plate outlet box f 2 s-ring device	1140 pcs	220
GBMBV34R1	cover plate outlet box f 1 Rastec device	1000 pcs	219
GBMBV34R2	cover plate outlet box f 2 Rastec device	660 pcs	219
GBMBV34R3	cover plate outlet box f 3 Rastec device	408 pcs	219
GBVC300	support plate f CEE repl f GBV3/V2T/V2D	1 pcs	228
GBVC400	support plate f CEE repl f GBV4/V3T/V3D	1 pcs	228
GBVDM012	Support plate f 2-gang RJ45 19,3x14,8 mm	1 pcs	180
GBVDM032	Support plate f 2-gang RJ45 19,5x14,85mm	1 pcs	180
GBVDM052	Support plate f 2-gang RJ45 20,1x14,8mm	1 pcs	180
GBVDMR45	Adapter frame 45 f 1 support plate data	1 pcs	180
GBVDR45	Support 45x45mm 2xRJ45 R&M made of PA	1 pcs	179
GBVR300	outlet box f 3 Rastec devices	35 pcs	219
GBVR400	outlet box f 4 Rastec devices	28 pcs	219
GBVRT00	outlet box partition f GBV3/4 GBV2/GBVT3	1 pcs	219
GBVTB48	blind plate 48 x 48 mm	2400 pcs	220
GBZ27011	pedestal box 2 installation fields sg	1 pcs	175
GBZ29005	pedestal box 2 installation fields db	1 pcs	175
GBZ47011	pedestal box 4 installation fields sg	1 pcs	175
GBZ49005	pedestal box 4 installation fields db	1 pcs	175
GBZ87011	pedestal box 8 installation fields sg	1 pcs	175
GBZ89005	pedestal box 8 installation fields db	1 pcs	175
GBZKR00	clamping ring f UK scr emb tr/doub floor	1 pcs	177
GBZWB7011	installation wall blind f 1 inst fld sg	1 pcs	176
GBZWB9005	installation wall blind f 1 inst fld db	1 pcs	176
GBZWC7011	installation wall CEE f 1 inst fld sg	1 pcs	176
GBZWC9005	installation wall CEE f 1 inst fld db	1 pcs	176
GBZWN7011	installation wall stand f 1 inst fld sg	1 pcs	176
GBZWN9005	installation wall stand f 1 inst fld db	1 pcs	176
GBZWR17011	installation wall 1xRas f 1 inst fld sg	1 pcs	176
GBZWR19005	installation wall 1xRas f 1 inst fld db	1 pcs	176
GBZWR27011	installation wall 2xRas f 1 inst fld sg	1 pcs	176
GBZWR29005	installation wall 2xRas f 1 inst fld db	1 pcs	176
GTMBV04T2	media cover plate f 2 w s-ring devices	1 pcs	218
GTMBV04T3	media cover plate f 3 w s-ring devices	1 pcs	218
GTMBV30T2	media cover plate f 2 w s-ring devices	1 pcs	218
GTMBV34T1	media cover plate f 1 w s-ring device	1 pcs	218
GTV0RW4ROWA315	Socket outlet 0xRW 4xRO WA H05VV-F3G1,5	1 pcs	222
GTV0RW4ROWA325	Socket outlet 0xRW 4xRO WA H05VV-F3G2,5	1 pcs	222
GTV0RW4ROWG315	Socket outlet 0xRW 4xRO WG H05VV-F3G1,5	1 pcs	222
GTV0RW4ROWG325	Socket outlet 0xRW 4xRO WG H05VV-F3G2,5	1 pcs	222
GTV2RW2ROWA315	Socket outlet 2xRW 2xRO WA H25VV-F3G1,5	1 pcs	222
GTV2RW2ROWA325	Socket outlet 2xRW 2xRO WA H25VV-F3G2,5	1 pcs	222
GTV2RW2ROWG315	Socket outlet 2xRW 2xRO WG H25VV-F3G1,5	1 pcs	222
GTV2RW2ROWG325	Socket outlet 2xRW 2xRO WG H25VV-F3G2,5	1 pcs	222
GTV4RW0ROWA315	Socket outlet 4xRW 0xRO WA H05VV-F3G1,5	1 pcs	222
GTV4RW0ROWA325	Socket outlet 4xRW 0xRO WA H05VV-F3G2,5	1 pcs	222
GTV4RW0ROWG315	Socket outlet 4xRW 0xRO WG H05VV-F3G1,5	1 pcs	222
GTV4RW0ROWG325	Socket outlet 4xRW 0xRO WG H05VV-F3G2,5	1 pcs	222
GTVD200	device casing for 2 data mounting plates	1 pcs	224
GTVD300	device casing for 3 data mounting plates	1 pcs	224
GTVDM00B	support plate for GTVD2/3 blind	1 pcs	227
GTVDM012	support plate f GTVD2/3 2xRJ45 19,3x14,8	1 pcs	224
GTVDM013	support plate f GTVD2/3 3xRJ45 19,3x14,8	1 pcs	224
GTVDM022	support plate f GTVD2/3 2xRJ45 20,4x27,7	1 pcs	225
GTVDM032	support plate f GTVD2/3 2xRJ45 19,5x14,8	1 pcs	225
GTVDM033	support plate f GTVD2/3 3xRJ45 19,5x14,8	1 pcs	225
GTVDM034	support plate f GTVD2/3 4xRJ45 19,5x14,8	1 pcs	225
GTVDM042	support plate f GTVD2/3 2xRJ45 17,2x18,3	1 pcs	225
GTVDM052	support plate GTVD2/3 2xRJ45 20,1x14,8mm	1 pcs	225
GTVDM053	support plate GTVD2/3 3xRJ45 20,1x14,8mm	1 pcs	225
GTVDM062	support plate for GTVD2/3 2xRJ45 18x22,8	1 pcs	226
GTVDM063	support plate for GTVD2/3 3xRJ45 18x22,8	1 pcs	226
GTVDM072	support plate f GTVD2/3 2xRJ45 21,7x22,4	1 pcs	226
GTVDM082	support plate f GTVD2/3 2xRJ45 20,1x19,5	1 pcs	226
GTVDM092	support plate f GTVD2/3 2xRJ45 25,2x25,2	1 pcs	226
GTVDM202	support plate for GTVD2/3 2xOFT 9,8x8mm	1 pcs	226
GTVDM214	support plate for GTVD2/3 4xOFT 9,7x13,3	1 pcs	226
GTVDM224	support plate for GTVD2/3 4xOFT 9,7x26mm	1 pcs	227
GTVDM301	support plate GTVD2/3 audio/video D-sub9	1 pcs	227
GTVDM311	support plate GTVD2/3 audio XLR dia=24	1 pcs	227
GTVDM331	support plate f Kindermann media techn	1 pcs	227
GTVR300	device casing flat f 3 Rastec devices	1 pcs	218
GTVR400	device casing flat f 4 Rastec devices	1 pcs	218
GTVRT00	device casing partition f GTV3 and GTV4	1 pcs	218
<b>K</b>			
KDE04057011	hinged cover E04 f 5mm flooring sg	9 pcs	178
KDE04059005	hinged cover E04 f 5mm flooring db	9 pcs	178
KDE04087011	hinged cover E04 f 12mm flooring sg	9 pcs	178
KDE04089005	hinged cover E04 f 12mm flooring db	9 pcs	178
KDQ08057011	hinged cover Q08 f 5mm flooring sg	4 pcs	178
KDQ08059005	hinged cover Q08 f 5mm flooring db	4 pcs	178
KDQ08127011	hinged cover Q08 f 12mm flooring sg	4 pcs	178
KDQ08129005	hinged cover Q08 f 12mm flooring db	4 pcs	178
<b>L</b>			
L4181GNGE	L 4181 Earth Strap 150mm	100 pcs	55
L4182GNGE	L 4182 Earth Strap 300mm	100 pcs	55
L4183GNGE	L 4183 Earth Strap 600mm	25 pcs	55
L4187CHRO	L 4187 Earth Terminal	10 pcs	55
L4750	Blank plate 2M RAL 9010	10 pcs	218



Order number	Product description	PU	Page
L5106	Double sided adhesive tape 19mm x 50m	1 pcs	122
L5804	L 5804 Sound insulation barrier	1 pcs	55
L5806	5 earth connectors	1 SET	122
LABLG207011	cable outlet f blind lid floor >20mm sg	1 pcs	134
LABLG207035	Grommet with blind cover H>20mm light gr	1 pcs	134
LABLG209005	cable outlet f blind lid floor >20mm db	1 pcs	134
LABLK207011	cable outlet f blind lid floor <20mm sg	1 pcs	135
LABLK207035	Grommet with blind cover H<20mm light gr	1 pcs	135
LABLK209005	cable outlet f blind lid floor <20mm db	1 pcs	135
LAFKG207011	cable outlet f fit chaine floor >20mm sg	1 pcs	134
LAFKG207035	Grommet flex cableprotect flat H>20mm lg	1 pcs	134
LAFKG209005	cable outlet f fit chaine floor >20mm db	1 pcs	134
LAFKK207011	cable outlet f fit chaine floor <20mm sg	1 pcs	135
LAFKK207035	Grommet flex cableprotect flat H<20mm lg	1 pcs	135
LAFKK209005	cable outlet f fit chaine floor <20mm db	1 pcs	135
LARKG207011	cable outlet f rd chaine floor >20mm sg	1 pcs	134
LARKG207035	Grommet flex cableprotect round H>20mmlg	1 pcs	134
LARKG209005	cable outlet f rd chaine floor >20mm db	1 pcs	134
LARKK207011	cable outlet f rd chaine floor <20mm sg	1 pcs	135
LARKK207035	Grommet flex cableprotect round H<20mmlg	1 pcs	135
LARKK209005	cable outlet f rd chaine floor <20mm db	1 pcs	135
LATUG207011	cable outlet f wet care floor >20mm sg	1 pcs	134
LATUG207035	Grommet with Tubus H>20mm light grey	1 pcs	134
LATUG209005	cable outlet f wet care floor >20mm db	1 pcs	134
LATUK207011	cable outlet f wet care floor <20mm sg	1 pcs	135
LATUK207035	Grommet with Tubus H<20mm light grey	1 pcs	135
LATUK209005	cable outlet f wet care floor <20mm db	1 pcs	135
<b>N</b>			
NRS0003B00	module with 3 socket outlets	1 pcs	256
NRS0004D20	module 4outlets, 1switch, connector Wago	1 pcs	256
NRS0005B00	module with 5 socket outlets	1 pcs	256
NRS0005D00	module 5outlets, connector Wago	1 pcs	256
NRS6204D20	module4outl.,1s,Wago,2RJ45cat.6 SFTP p/p	1 pcs	256
<b>R</b>			
RK17035	round chain Polypropylen length 1m lg	1 pcs	138
RK19005	Flex cable protect round d=70mm L=1m bl	1 pcs	138
RKA7035	connecting adapter round chain PP lg	1 pcs	138
RKA9005	Support for flexi cabel protector round	1 pcs	138
RKR7035	rosette round chain PP lg	1 pcs	138
RKR9005	Rosette f. flex cable protector round bl	1 pcs	138
RKWH000	wall retaining clip round chain PP lg	1 pcs	138
RLV0630	snap-in ladder ext. f Q06 R06 by 30mm	135 pcs	171
RLV1230	snap-in ladder ext. f Q12 R12 by 30mm	75 pcs	171
RLVE0930	snap-in ladder ext. f E09 by 30mm	80 pcs	171
RLVR1030	snap-in ladder ext. f R10 by 30mm	25 pcs	171
<b>S</b>			
SEBD500GT	casing element floor box, base support	1 SET	21
SEGT350	Schalungselement base support 350x350mm	1 pcs	21
SEVE04200	casing element VE04 147x247mm H=200mm	1 pcs	21
SEVE09200	casing element VE09 200x253mm H=200mm	1 pcs	21
SEVE0950	casing element f VE09 200x253 ht 50mm	1 pcs	133
SEVQ06200	casing element VQ06 sq 200x200mm H=200mm	1 pcs	21
SEVQ0650	casing element f VQ06 sq 200 ht 50mm	1 pcs	133
SEVQ08200	casing element VQ08 294x294mm H=200mm	1 pcs	21
SEVQ12200	casing element VQ12 sq 244x244mm H=200mm	1 pcs	21
SEVQ1250	casing element f VQ12 sq 244 ht 50mm	1 pcs	133
SEVR06200	casing element VR06 round 215mm H=200mm	1 pcs	21
SEVR0650	casing element f VR06 round 215 ht 50mm	1 pcs	133
SEVR10200	casing element VR10 round 275mm H=200mm	1 pcs	21
SEVR1050	casing element f VR10 round 275 ht 50mm	1 pcs	133
SEVR12200	casing element VR12 round 306mm H=200mm	1 pcs	21
SEVR1250	casing element f VR12 round 306 ht 50mm	1 pcs	133
SEVR2200	casing element VR2 round 242mm H=200mm	1 pcs	21
SL1104007030	Trunking 11x40,grey	70 M	123
SL1104009001	Trunking 11x40,cream white	70 M	123
SL1807501019	Trunking 18x75,beige	32 M	123
SL1807507021	Trunking 18x75, anthracit	32 M	123
SL1807507030	Trunking 18x75,grey	32 M	123
SL1807507035	Trunking 18x75,light grey	32 M	123
SL1807508014	Trunking 18x75,brown	32 M	123
SL1807509001	Trunking 18x75,cream white	32 M	123
SL1807509010	Trunking 18x75,pure white	32 M	123
SLA180750ELN	Floortrack 18x75,anodised	10 M	122
<b>T</b>			
TULAA105	tube cable outlet alu without cover	1 pcs	167
TUSS000	pin wrench for blind cover f tube	1 pcs	167
<b>U</b>			
UDAQ125A	service outlet box square 125mm lid alu	1 pcs	172
UDAR125A	service outlet box round 125mm lid alu	1 pcs	172
UDAR235	stacking frame size 2 height 35 mm	1 pcs	20
UDAR335	stacking frame size 3 height 35 mm	1 pcs	20
UDB2050080	floor box with floor plate size2 50-80	7 pcs	16
UDB2075125	floor box with floor plate size2 75-125	5 pcs	16
UDB2120170	floor box with floor plate size2 120-170	8 pcs	16
UDB2165215	floor box with floor plate size2 165-215	5 pcs	16
UDB2215265	floor box with floor plate size2 215-265	4 pcs	16
UDB3050080	floor box with floor plate size3 50-80	6 pcs	16
UDB3075125	floor box with floor plate size3 75-125	5 pcs	16
UDB3120170	floor box with floor plate size3 120-170	7 pcs	16
UDB3165215	floor box with floor plate size3 165-215	5 pcs	16
UDB3215265	floor box with floor plate size3 215-265	1 pcs	16
UDBDQ06	floor box f accomodation of VQ06 or KQ06	1 pcs	173

Order number	Product description	PU	Page
UDH2050080	floor box w. holding claws size2 50-80	6 pcs	17
UDH2075125	floor box w. holding claws size2 75-125	5 pcs	17
UDH2120170	floor box w. holding claws size2 120-170	8 pcs	17
UDH2165215	floor box w. holding claws size2 165-215	6 pcs	17
UDH2215265	floor box w. holding claws size2 215-265	5 pcs	17
UDH3050080	floor box w. holding claws size3 50-80	6 pcs	17
UDH3075125	floor box w. holding claws size3 75-125	5 pcs	17
UDH3120170	floor box w. holding claws size3 120-170	7 pcs	17
UDH3165215	floor box w. holding claws size3 165-215	5 pcs	17
UDH3215265	floor box w. holding claws size3 215-265	4 pcs	17
UDKPQ067011	floor box set cpl incl VQ06 sg	1 pcs	173
UDKPQ069005	floor box set cpl incl VQ06 db	1 pcs	173
UDKPQ06E	floor box set cpl incl Q06 stainl steel	1 pcs	173
UDLA0000	cable outlet for underfloor box UDR/Q	1 pcs	172
UDM2000BLD	mounting lid for floor box size 2 blind	5 pcs	19
UDM2050GBZ	mounting lid for floor box size 2 GBZ	10 pcs	19
UDM2147E04	mounting lid for floor box size 2 E04	10 pcs	19
UDM2200E09	mounting lid for floor box size 2 E09	10 pcs	19
UDM2200Q06	mounting lid for floor box size 2 Q06	10 pcs	19
UDM2215R06	mounting lid for floor box size 2 R06	10 pcs	19
UDM2244Q12	mounting lid for floor box size 2 Q12	10 pcs	19
UDM3000BLD	blind lid for floor box size 3	5 pcs	19
UDM3050GBZ	mounting lid for floor box size 3 GBZ	10 pcs	19
UDM3147E04	mounting lid for floor box size 3 E04	10 pcs	19
UDM3200E09	mounting lid for floor box size 3 E09	10 pcs	19
UDM3200Q06	mounting lid for floor box size 3 Q06	10 pcs	19
UDM3200SLQ06	heavy duty blanking lid Q06	1 pcs	19
UDM3215R06	mounting lid for floor box size 3 R06	10 pcs	19
UDM3215SLR06	heavy duty blanking lid R06	1 pcs	19
UDM3244Q12	mounting lid for floor box size 3 Q12	10 pcs	19
UDM3244SLQ12	heavy duty blanking lid Q12	1 pcs	19
UDM3275R10	mounting lid for floor box size 3 R10	10 pcs	19
UDM3294Q08	mounting lid for floor box size 3 Q08	10 pcs	19
UDM3306R12	mounting lid for floor box size 2 R12	10 pcs	19
UDM3306SLR12	heavy duty blanking lid R12	1 pcs	19
UDS3070120	floor box steel size3 70-120	1 pcs	18
UDS32050RE	pipe entry for floor box UDS3	1 pcs	20
UDSLS098	heavy duty support for floor box 075-125	1 pcs	20
UDSLS118	heavy duty support for floor box 075-125	1 pcs	20
UDSLS138	heavy duty support for floor box 120-170	1 pcs	20
UDSLS163	heavy duty support for floor box 120-170	1 pcs	20
UDSLS183	heavy duty support for floor box 165-215	1 pcs	20
UDSLS203	heavy duty support for floor box 165-215	1 pcs	20
UDSLS223	heavy duty support for floor box 215-265	1 pcs	20
UK1900282	underfloor duct 190 x 28 mm 2-gang	2 M	10
UK1900283	underfloor duct 190 x 28 mm 3-gang	2 M	10
UK1900382	underfloor duct 190 x 38 mm 2-gang	2 M	10
UK190383	underfloor duct 190 x 38 mm 3-gang	2 M	10
UK190482	underfloor duct 190 x 48 mm 2-gang	2 M	10
UK190483	underfloor duct 190 x 48 mm 3-gang	2 M	10
UK240282	underfloor duct 240 x 28 mm 2-gang	2 M	12
UK240283	underfloor duct 240 x 28 mm 3-gang	2 M	12
UK240382	underfloor duct 240 x 38 mm 2-gang	2 M	12
UK240383	underfloor duct 240 x 38 mm 3-gang	2 M	12
UK240482	underfloor duct 240 x 48 mm 2-gang	2 M	12
UK240483	underfloor duct 240 x 48 mm 3-gang	2 M	12
UK340282	underfloor duct 340 x 28 mm 2-gang	2 M	14
UK340283	underfloor duct 340 x 28 mm 3-gang	2 M	14
UK340382	underfloor duct 340 x 38 mm 2-gang	2 M	14
UK340383	underfloor duct 340 x 38 mm 3-gang	2 M	14
UK340482	underfloor duct 340 x 48 mm 2-gang	2 M	14
UK340483	underfloor duct 340 x 48 mm 3-gang	2 M	14
UKB190280	mounting bracket underfloor duct 190x28	1 pcs	11
UKB190380	mounting bracket underfloor duct 190x38	1 pcs	11
UKB190480	mounting bracket underfloor duct 190x48	1 pcs	11
UKB240280	mounting bracket underfloor duct 240x28	1 pcs	13
UKB240380	mounting bracket underfloor duct 240x38	1 pcs	13
UKB240480	mounting bracket underfloor duct 240x48	1 pcs	13
UKB340280	mounting bracket underfloor duct 340x28	1 pcs	15
UKB340380	mounting bracket underfloor duct 340x38	1 pcs	15
UKB340480	mounting bracket underfloor duct 340x48	1 pcs	15
UKE190280	endcap for underfloor duct 190x28 mm	1 pcs	11
UKE190380	endcap for underfloor duct 190x38 mm	1 pcs	11
UKE190480	endcap for underfloor duct 190x48 mm	1 pcs	11
UKE240280	endcap for underfloor duct 240x28 mm	1 pcs	13
UKE240380	endcap for underfloor duct 240x38 mm	1 pcs	13
UKE240480	endcap for underfloor duct 240x48 mm	1 pcs	13
UKE340280	endcap for underfloor duct 340x28 mm	1 pcs	15
UKE340380	endcap for underfloor duct 340x38 mm	1 pcs	15
UKE340480	endcap for underfloor duct 340x48 mm	1 pcs	15
UKK190282	riser bend underfloor duct 190x28 2-gang	1 pcs	11
UKK190283	riser bend underfloor duct 190x28 3-gang	1 pcs	11
UKK190382	riser bend underfloor duct 190x38 2-gang	1 pcs	11
UKK190383	riser bend underfloor duct 190x38 3-gang	1 pcs	11
UKK190482	riser bend underfloor duct 190x48 2-gang	1 pcs	11
UKK190483	riser bend underfloor duct 190x48 3-gang	1 pcs	11
UKK240282	riser bend underfloor duct 240x28 2-gang	1 pcs	13
UKK240283	riser bend underfloor duct 240x28 3-gang	1 pcs	13
UKK240382	riser bend underfloor duct 240x38 2-gang	1 pcs	13
UKK240383	riser bend underfloor duct 240x38 3-gang	1 pcs	13
UKK240482	riser bend underfloor duct 240x48 2-gang	1 pcs	13
UKK240483	riser bend underfloor duct 240x48 3-gang	1 pcs	13
UKK340282	riser bend underfloor duct 340x28 2-gang	1 pcs	15
UKK340283	riser bend underfloor duct 340x28 3-gang	1 pcs	15
UKK340382	riser bend underfloor duct 340x38 2-gang	1 pcs	15
UKK340383	riser bend underfloor duct 340x38 3-gang	1 pcs	15
UKK340482	riser bend underfloor duct 340x48 2-gang	1 pcs	15

Order number	Product description	PU	Page
UKK340483	riser bend underfloor duct 340x48 3-gang	1 pcs	15
UKM190280	expansion sleeve underfloor duct 190x28	1 pcs	11
UKM190380	expansion sleeve underfloor duct 190x38	1 pcs	11
UKM190480	expansion sleeve underfloor duct 190x48	1 pcs	11
UKM240280	expansion sleeve underfloor duct 240x28	1 pcs	13
UKM240380	expansion sleeve underfloor duct 240x38	1 pcs	13
UKM240480	expansion sleeve underfloor duct 240x48	1 pcs	13
UKM340280	expansion sleeve underfloor duct 340x28	1 pcs	15
UKM340380	expansion sleeve underfloor duct 340x38	1 pcs	15
UKM340480	expansion sleeve underfloor duct 340x48	1 pcs	15
UKS190280	connector clamp underfloor duct 190x28	1 pcs	11
UKS190380	connector clamp underfloor duct 190x38	1 pcs	11
UKS190480	connector clamp underfloor duct 190x48	1 pcs	11
UKS240280	connector clamp underfloor duct 240x28	1 pcs	13
UKS240380	connector clamp underfloor duct 240x38	1 pcs	13
UKS240480	connector clamp underfloor duct 240x48	1 pcs	13
UKS340280	connector clamp underfloor duct 340x28	1 pcs	15
UKS340380	connector clamp underfloor duct 340x38	1 pcs	15
UKS340480	connector clamp underfloor duct 340x48	1 pcs	15
<b>V</b>			
VANR1200	supply-unit R12 wet c. t. outl alu gr	1 pcs	181
VANR12003	supply-unit R12 wet c. t. outl alu 3mm	1 pcs	181
VANR12003TU	supply-unit R12 wet c. t. outl. PA 3mm	1 pcs	182
VANR12009005	supply-unit R12 wet c. t. outl alu gr db	1 pcs	181
VANR12009005TU	supply-unit R12 wet c. t. outl. PA gr db	1 pcs	182
VANR1200TU	supply-unit R12 wet c. t. outl. PA gr	1 pcs	182
VANR1201	supply-unit R12 wet c. t. outl alu gr	1 pcs	181
VANR12013	supply-unit R12 wet c. t. outl alu 3mm	1 pcs	181
VANR12013TU	supply-unit R12 wet c. t. outl. PA 3mm	1 pcs	182
VANR12019005	supply-unit R12 wet c. t. outl alu gr db	1 pcs	181
VANR12019005TU	supply-unit R12 wet c. t. outl. PA gr db	1 pcs	182
VANR1201TU	supply-unit R12 wet c. t. outl. PA gr	1 pcs	182
VANR2003	supply-unit R06 wet c. t. outl alu gr	1 pcs	183
VANR2009005	supply-unit R06 wet c. t. outl alu gr db	1 pcs	183
VANR2013	supply-unit R06 wet c. t. outl alu gr	1 pcs	183
VANR2019005	supply-unit R06 wet c. t. outl alu gr db	1 pcs	183
VDDEE09P1	cardboard-inlay f VDE09 1mm	300 pcs	162
VDDEE09P2	cardboard-inlay f VDE09 2mm	300 pcs	162
VDDEQ06P1	cardboard-inlay f VDQ06 1mm	300 pcs	163
VDDEQ06P2	cardboard-inlay f VDQ06 2mm	300 pcs	163
VDDEQ12P1	cardboard-inlay f VDQ12 1mm	300 pcs	161
VDDEQ12P2	cardboard-inlay f VDQ12 2mm	300 pcs	161
VDDER06P1	cardboard-inlay f VDR06 1mm	300 pcs	163
VDDER06P2	cardboard-inlay f VDR06 2mm	300 pcs	163
VDDER10P1	cardboard-inlay f VDR10 1mm	300 pcs	162
VDDER10P2	cardboard-inlay f VDR10 2mm	300 pcs	162
VDDER12P1	cardboard-inlay f VDR12 1mm	300 pcs	161
VDDER12P2	cardboard-inlay f VDR12 2mm 297x297x2mm	300 pcs	161
VDE09057011	cover lid E09 f flooring 5 m sg	6 pcs	162
VDE09059005	cover lid E09 f flooring 5mm db	6 pcs	162
VDE09127011	cover lid E09 f flooring 12mm sg	5 pcs	162
VDE09129005	cover lid E09 f flooring 12mm db	5 pcs	162
VDQ06057011	cover lid Q06 f flooring 5mm sg	7 pcs	163
VDQ06059005	cover lid Q06 f flooring 5mm db	7 pcs	163
VDQ06127011	cover lid Q06 f flooring 12mm sg	6 pcs	163
VDQ06129005	cover lid Q06 f flooring 12mm db	6 pcs	163
VDQ12057011	cover lid Q12 f flooring 5 m sg	4 pcs	161
VDQ12059005	cover lid Q12 f flooring 5mm db	4 pcs	161
VDQ12127011	cover lid Q12 f flooring 12mm sg	3 pcs	161
VDQ12129005	cover lid Q12 f flooring 12mm db	3 pcs	161
VDR06057011	cover lid R06 f flooring 5 m sg	7 pcs	163
VDR06059005	cover lid R06 f flooring 5mm db	7 pcs	163
VDR06127011	cover lid R06 f flooring 12mm sg	6 pcs	163
VDR06129005	cover lid R06 f flooring 12mm db	6 pcs	163
VDR10057011	cover lid R10 f flooring 5 m sg	4 pcs	162
VDR10059005	cover lid R10 f flooring 5mm db	4 pcs	162
VDR10127011	cover lid R10 f flooring 12mm sg	3 pcs	162
VDR10129005	cover lid R10 f flooring 12mm db	3 pcs	162
VDR12057011	cover lid R12 f flooring 5 m sg	4 pcs	161
VDR12059005	cover lid R12 f flooring 5mm db	4 pcs	161
VDR12127011	cover lid R12 f flooring 12mm sg	3 pcs	161
VDR12129005	cover lid R12 f flooring 12mm db	3 pcs	161
VE09057011	supply-unit E09 f flooring 5mm sg	6 pcs	159
VE09059005	supply-unit E09 f flooring 5mm db	6 pcs	159
VE09127011	supply-unit E09 f flooring 12mm sg	5 pcs	159
VE09129005	supply-unit E09 f flooring 12mm db	5 pcs	159
VEDEE09P1	cardboard-inlay f VE09 1mm	300 pcs	159
VEDEE09P2	cardboard-inlay f VE09 2mm	300 pcs	159
VEDEQ06P1	cardboard-inlay f VQ06 1mm	300 pcs	159
VEDEQ06P2	cardboard-inlay f VQ06 2mm	300 pcs	159
VEDEQ12P1	cardboard-inlay f VQ12 1mm	300 pcs	157
VEDEQ12P2	cardboard-inlay f VQ12 2mm	300 pcs	157
VEDER06P1	cardboard-inlay f VR06 1mm	300 pcs	160
VEDER06P2	cardboard-inlay f VR06 2mm	300 pcs	160
VEDER10P1	cardboard-inlay f VR10 1mm	300 pcs	158
VEDER10P2	cardboard-inlay f VR10 2mm	300 pcs	158
VEDER12P1	cardboard-inlay f VR12 1mm	300 pcs	158
VEDER12P2	cardboard-inlay f VR12 2mm	300 pcs	158
VEE0912E	supply-unit E09 stainless steel	1 pcs	164
VEQ0612E	supply-unit Q06 stainless steel	1 pcs	164
VEQ1212E	supply-unit Q12 stainless steel	1 pcs	164
VQ06057011	supply-unit Q06 f flooring 5mm sg	7 pcs	159
VQ06059005	supply-unit Q06 f flooring 5mm db	7 pcs	159
VQ06127011	supply-unit Q06 f flooring 12mm sg	6 pcs	159
VQ06129005	supply-unit Q06 f flooring 12mm db	6 pcs	159
VQ12057011	supply-unit Q12 f flooring 5mm sg	4 pcs	157

Order number	Product description	PU	Page
VQ12059005	supply-unit Q12 f flooring 5mm db	4 pcs	157
VQ12127011	supply-unit Q12 f flooring 12mm sg	3 pcs	157
VQ12129005	supply-unit Q12 f flooring 12mm db	3 pcs	157
VR06057011	supply-unit R06 f flooring 5mm sg	7 pcs	160
VR06059005	supply-unit R06 f flooring 5mm db	7 pcs	160
VR06127011	supply-unit R06 f flooring 12mm sg	6 pcs	160
VR06129005	supply-unit R060 f flooring 12mm db	6 pcs	160
VR10057011	supply-unit R10 f flooring 5mm sg	4 pcs	158
VR10059005	supply-unit R10 f flooring 5mm db	4 pcs	158
VR10127011	supply-unit R10 f flooring 12mm sg	3 pcs	158
VR10129005	supply-unit R10 f flooring 12mm db	3 pcs	158
VR12057011	supply-unit R12 f flooring 5mm sg	1 pcs	158
VR12059005	supply-unit R12 f flooring 5mm db	1 pcs	158
VR12127011	supply-unit R12 f flooring 12mm sg	3 pcs	158
VR12129005	supply-unit R12 f flooring 12mm db	3 pcs	158
<b>W</b>			
WS256	Systo TV+FM+SAT direct 1cable	1 pcs	223
WS257	Systo TV+FM+SAT direct 2cable	1 pcs	223
WS263	Systo 2M HDMI Passthrough socket	1 pcs	223
WS265	Systo 2M USB socket	1 pcs	223
WS276	Systo 2M SUB-D 15 (VGA) screw terminal	1 pcs	223

### Low Voltage Directive EMC Directive

Hager products meet, where relevant, the basic safety and health requirements of the above-mentioned EU directives. International, regional and national product standards are taken into account. In their production and development. This includes IEC standards, EN-Standards and DIN/VDE standards.

For the conformity assessment, Hager declares the conformity and identifies the products on its own authority with a CE marking.

The CE marking is addressed to the authorities (e.g. labour inspectorates, building authorities, customs services) of the individual countries within the EU.

CE indicates to the authorities that the products comply with the relevant EU directives, on the basis of which it is therefore permitted to move the goods freely within the EU.

### Ready-to-connect switchgear assemblies comply with the EMC guidelines

When assembling, equipping and wiring low-voltage switchgear assemblies (e.g. ready-to-connect distribution-, meter- and transformer-enclosures) the manufacturers instructions are to be applied, in addition to the installation regulations already known to the electrical contractor.

Reason:

To ensure electromagnetic compatibility in the manufacture of ready-to-connect switchgear assemblies.

In order to exclude mutual interference of installation equipment with each other and with the immediate environment, the following additional mounting or installation rules must be observed.

#### 1. General

- Firstly, only CE marked equipment is to be installed, if you are subject to EU directives.
- In exceptional cases, additional special assembly and installation rules are to be observed with regard to EMC. If necessary, consult the instructions sheet for the installation devices.

#### 2. EMC environment (according to DIN EN 61439-1)

- Hager installed devices are suitable for operation in **Environment B**
- When operation is intended in **Environment A** or in other environments, other restrictions may apply depending on the particular application.

**Environment B:** Refers to public low-voltage networks, e.g. in residential, commercial and light industrial areas. Strong sources of interference, such as arc welding equipment, are not covered by this environment.

**Environment A:** Refers to non-public or industrial low-voltage networks, areas and facilities, including strong interference sources.

### 3. Installation and wiring

- In order to exclude mutual interference of installation equipment with each other and with the immediate environment, the following general additional mounting or installation rules must be observed.

#### 3.1 Residual current protection devices (e.g. RCD switches)

- Wiring cables directly adjacent to RCDs are to be avoided. If this is not possible, the following rule applies:
  - Directly adjacent conductors must carry operating currents < 200 A.
  - At a distance of 1 cm from the conductor to the RCD device, operating currents must be < 300 A.
  - At a distance of 2 cm from the conductor to the RCD device, operating currents must be < 400 A.
- Installed protection switch devices with a rated switching capacity of > 25 kA (e.g. circuit breakers) must not be installed directly next to RCD devices.
- Transformers may also not be installed directly next to RCD devices.

#### 3.2 Electronic component devices (e.g. time switches, dimmers)

- Installed protection switch devices with a rated switching capacity of > 10 kA (e.g. miniature circuit breakers) must not be installed directly next to such devices.
- Dimmers may only control power consumptions < 1000 W.

### Declaration of conformity

The accompanying declaration is found separately in your technical documentation as proof of conformity.

We,

Hager SE  
Zum Gunterstal  
D 66440 Blieskastel

declare under our sole responsibility that all of the CE marked products of the Hager brand comply from the following product areas

- **Power distribution and meter panel systems**
- **Cable routing and room connection systems**
- **Switch ranges and building automation**
- **Safety equipment**

meet the requirements of the following EU directives and regulations and their corresponding supplements, where appropriate and applicable:

- **Low voltage Directive 2006/95/EC**
- **Electromagnetic Compatibility Directive 2004/108/EC**
- **Directive on radio equipment and telecommunications terminal equipment 1999/5/EC**
- **Directive on establishing a framework for the setting of ecodesign requirements for energy-related products 2009/125/EC**
- **Measuring instruments directive 2004/22/EC**
- **Construction products regulation (EU) No 305/2011**

This declaration certifies compliance with the stated directives and regulations, but does not contain any assertion regarding properties.

The electrician is responsible for the proper application of our products for the construction of a ready to operate plant in accordance with the relevant regulations.

The CE marking is applied directly on the product, on the packaging or on the outer packaging.

Hager SE acts on behalf of all its direct or indirect subsidiaries.

Blieskastel, 27 June 2013



Dr.-Ing. Dominique Beck  
Standardisation and Business Environment Manager – Hager Group













[www.hager.com](http://www.hager.com)

